



US00D743751S

(12) **United States Design Patent**
Stokke et al.

(10) **Patent No.:** **US D743,751 S**
(45) **Date of Patent:** **** Nov. 24, 2015**

(54) **COMBINED LUNCHBOX AND CUTTING BOARD**

(71) Applicant: **Dart Industries Inc.**, Orlando, FL (US)

(72) Inventors: **Jonas R. Stokke**, Oslo (NO); **Øystein Austad**, Oslo (NO); **Jan-Hendrik de Groot**e, Brussels (BE)

(73) Assignee: **Dart Industries Inc.**, Orlando, FL (US)

(**) Term: **14 Years**

(21) Appl. No.: **29/487,004**

(22) Filed: **Apr. 4, 2014**

(51) **LOC (10) Cl.** **07-07**

(52) **U.S. Cl.**
USPC **D7/629**; D7/698

(58) **Field of Classification Search**
USPC D7/629, 630, 612-615, 538-542, 698, D7/699; 220/780-806, 574-575, 912, 913; 269/15-16, 13, 289 R, 302.1
CPC A47J 47/005; B65D 1/22; B65D 1/26; B65D 43/00; B65D 2251/00; B65D 2543/00; B65D 2543/00101; B65D 43/0206
See application file for complete search history.

(56) **References Cited**

U.S. PATENT DOCUMENTS

D284,253 S * 6/1986 Carlson D7/629
D284,254 S * 6/1986 Carlson D7/629
4,907,789 A * 3/1990 Tice A47J 47/005
269/13
D473,112 S 4/2003 de Groot

D551,515 S 9/2007 Ablo et al.
D555,987 S * 11/2007 Williams D7/698
D584,117 S * 1/2009 Curtin D7/698
D640,513 S 6/2011 Cornu
D641,209 S 7/2011 Ablo
2011/0169208 A1* 7/2011 Almeda A47J 47/005
269/289 R

* cited by examiner

Primary Examiner — Terry Wallace

(74) *Attorney, Agent, or Firm* — Taylor J. Ross

(57) **CLAIM**

The ornamental design for a combined lunchbox and cutting board, as shown and described.

DESCRIPTION

FIG. 1 is a top, side and front perspective view of a combined lunchbox and cutting board showing our new design, the lunchbox shown separately for clarity of illustration.

FIG. 2 is a bottom, side and rear perspective view thereof.

FIG. 3 is a top plan view thereof.

FIG. 4 is a bottom plan view thereof.

FIG. 5 is a front view thereof, the rear view being identical.

FIG. 6 is a right side view thereof, the left side being identical.

FIG. 7 is a top, side and front perspective view of the combined lunchbox and cutting board.

FIG. 8 is a bottom, side and rear perspective view of FIG. 7.

FIG. 9 is a left side view of FIG. 7, the right side view being a mirror image.

FIG. 10 is a front view of FIG. 7, the rear view being a mirror image.

FIG. 11 is a top plan view of FIG. 7.

FIG. 12 is a bottom plan view of FIG. 7; and,

FIG. 13 is an exploded view of FIG. 7.

1 Claim, 6 Drawing Sheets

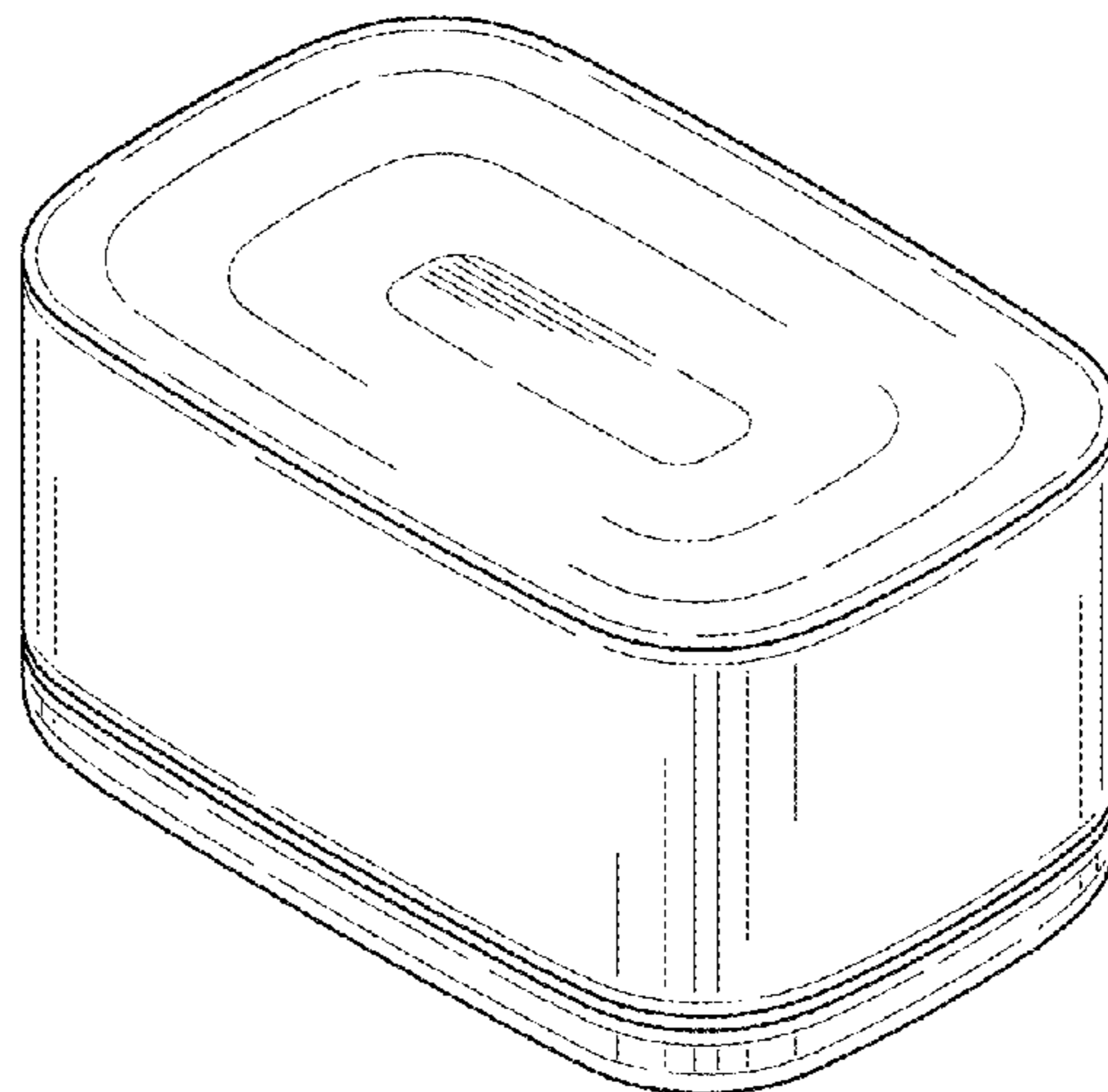


FIG. 1

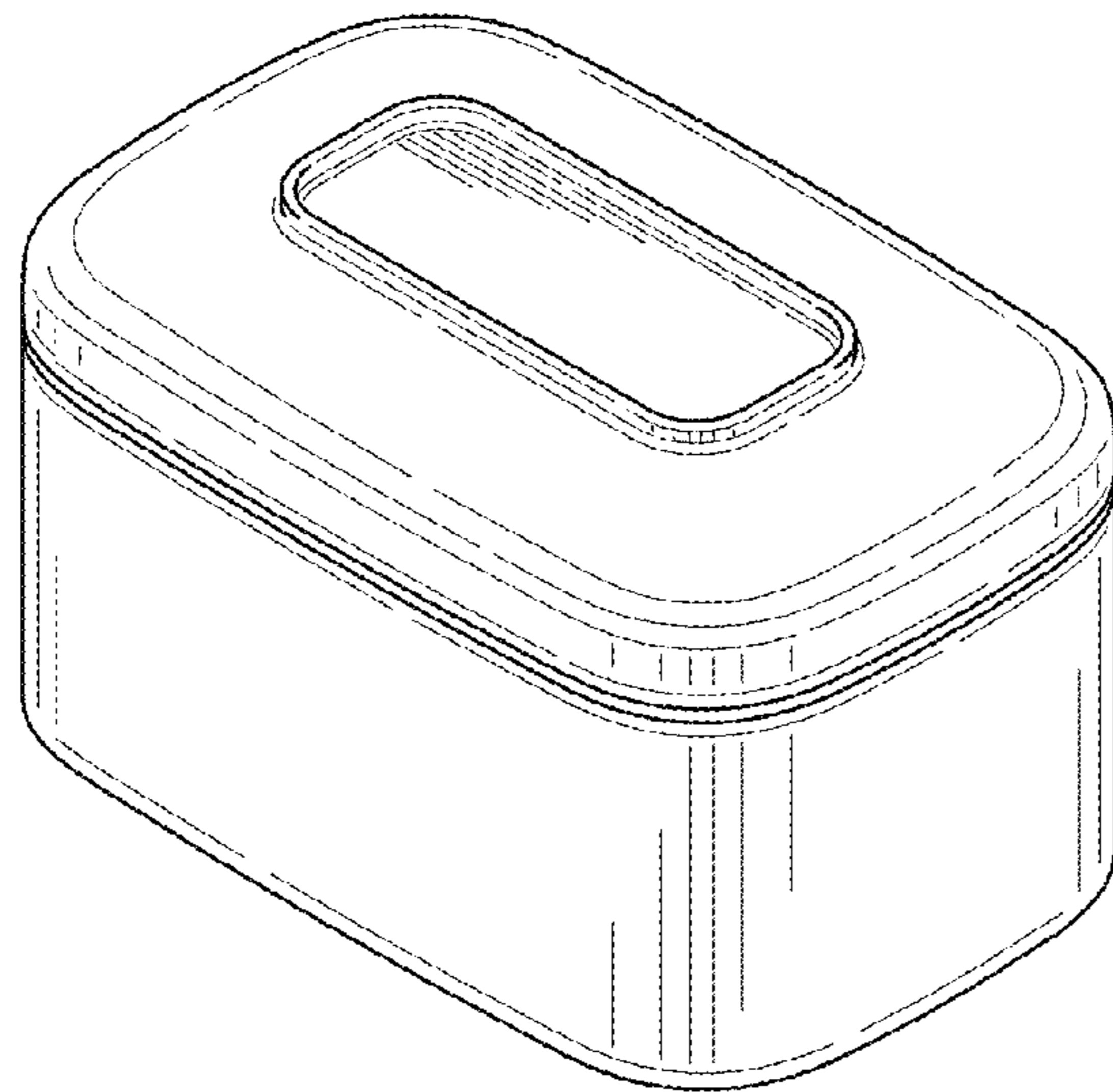
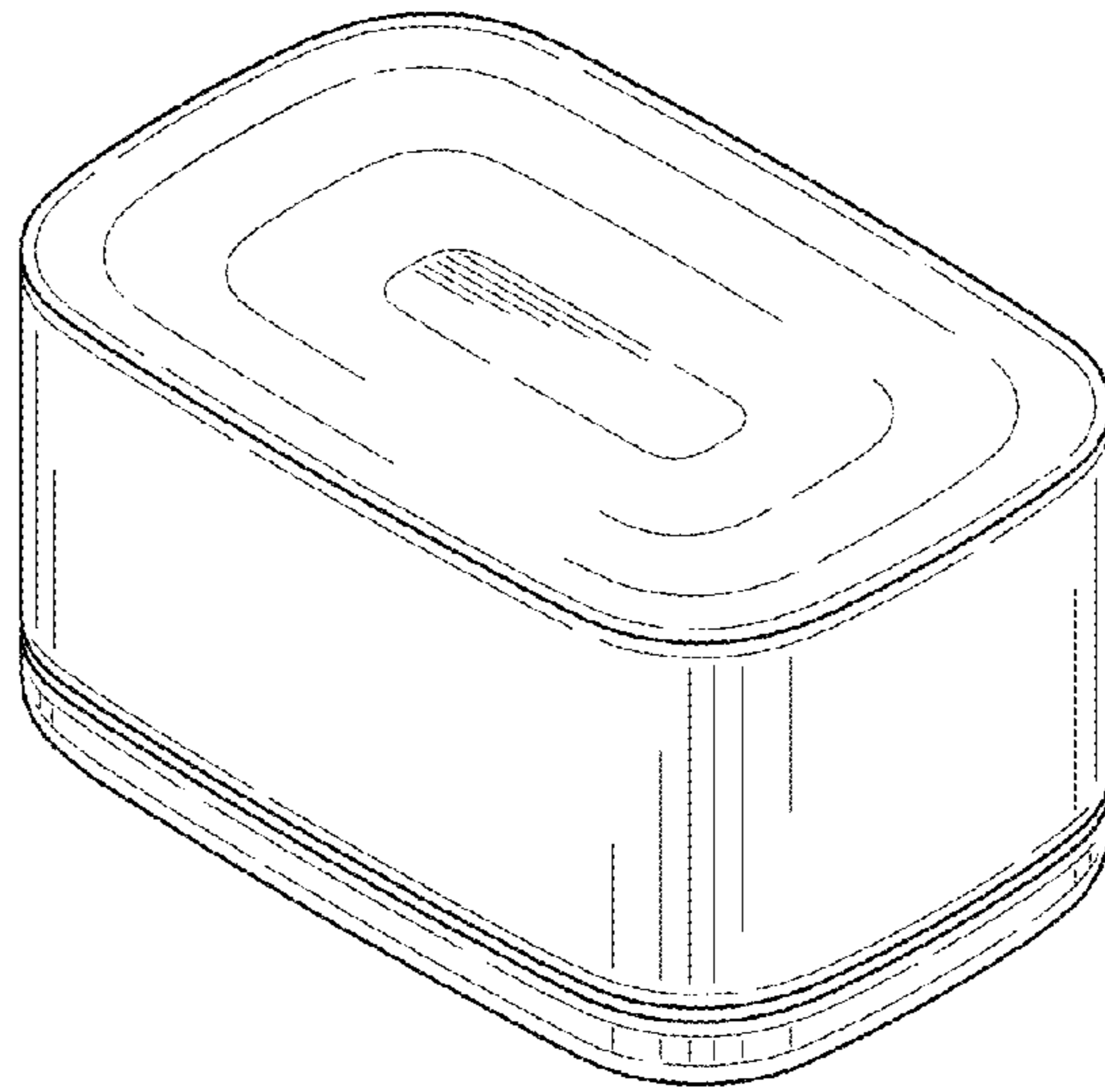
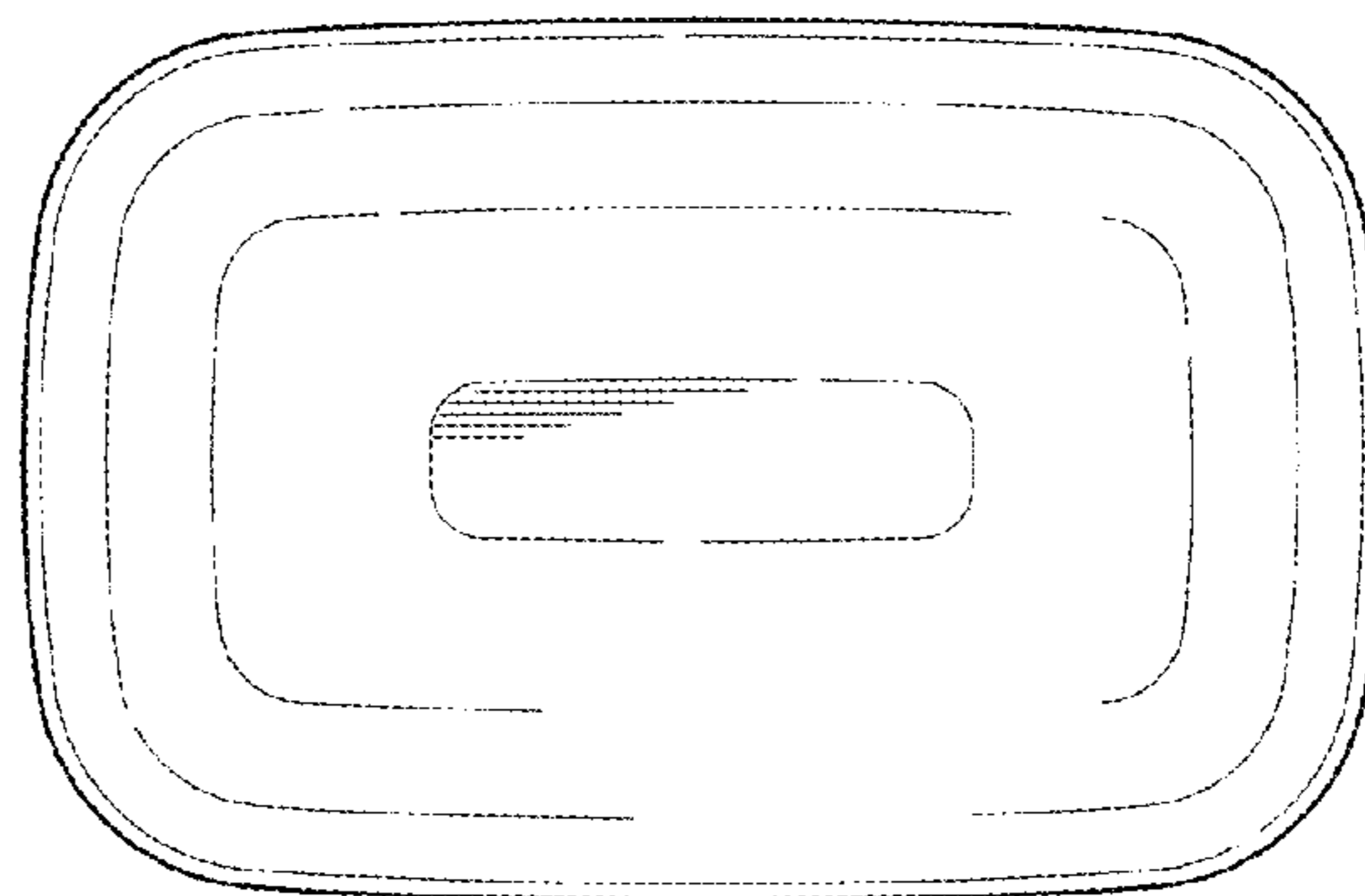


FIG. 2

FIG. 3



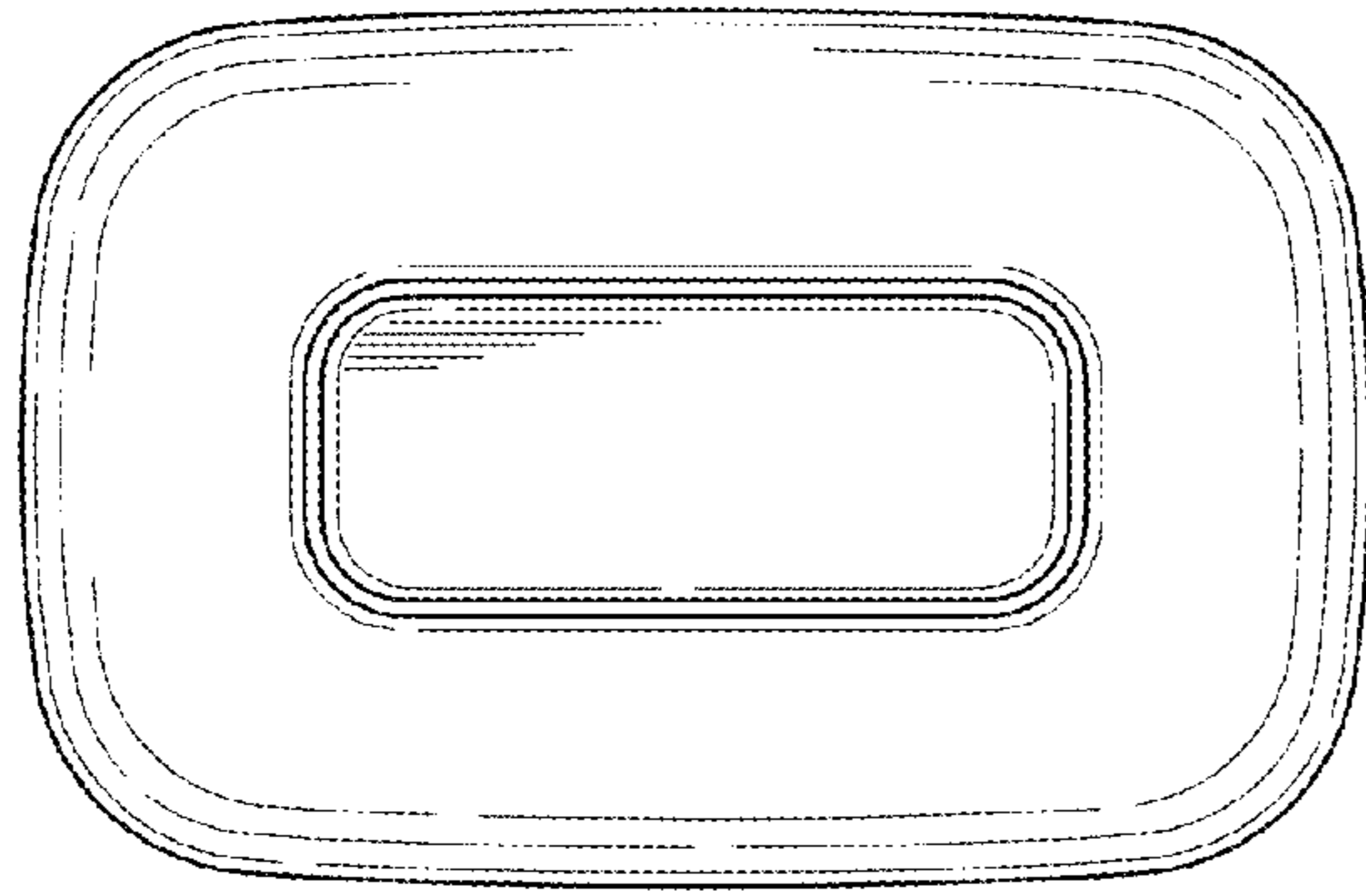


FIG. 4

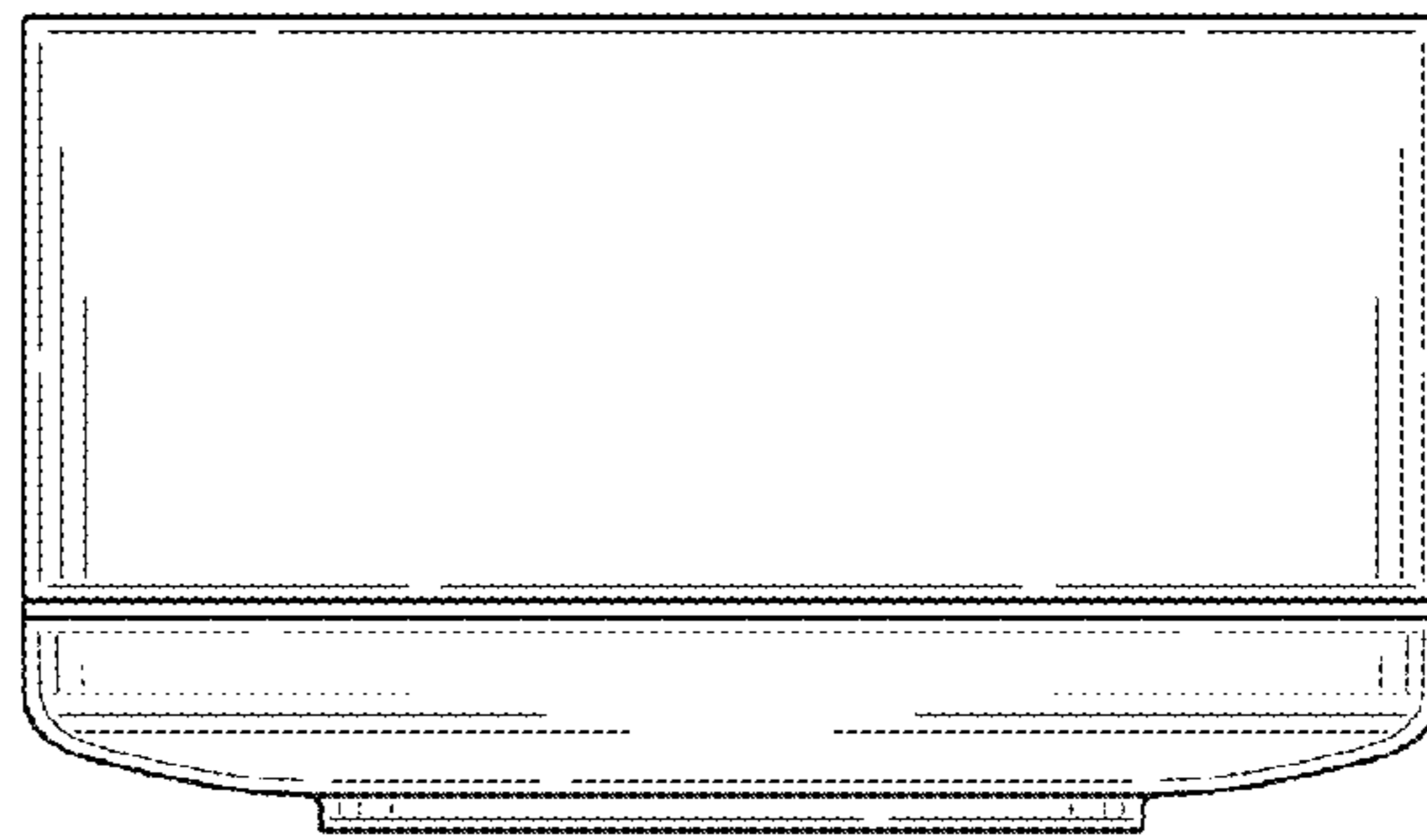


FIG. 5

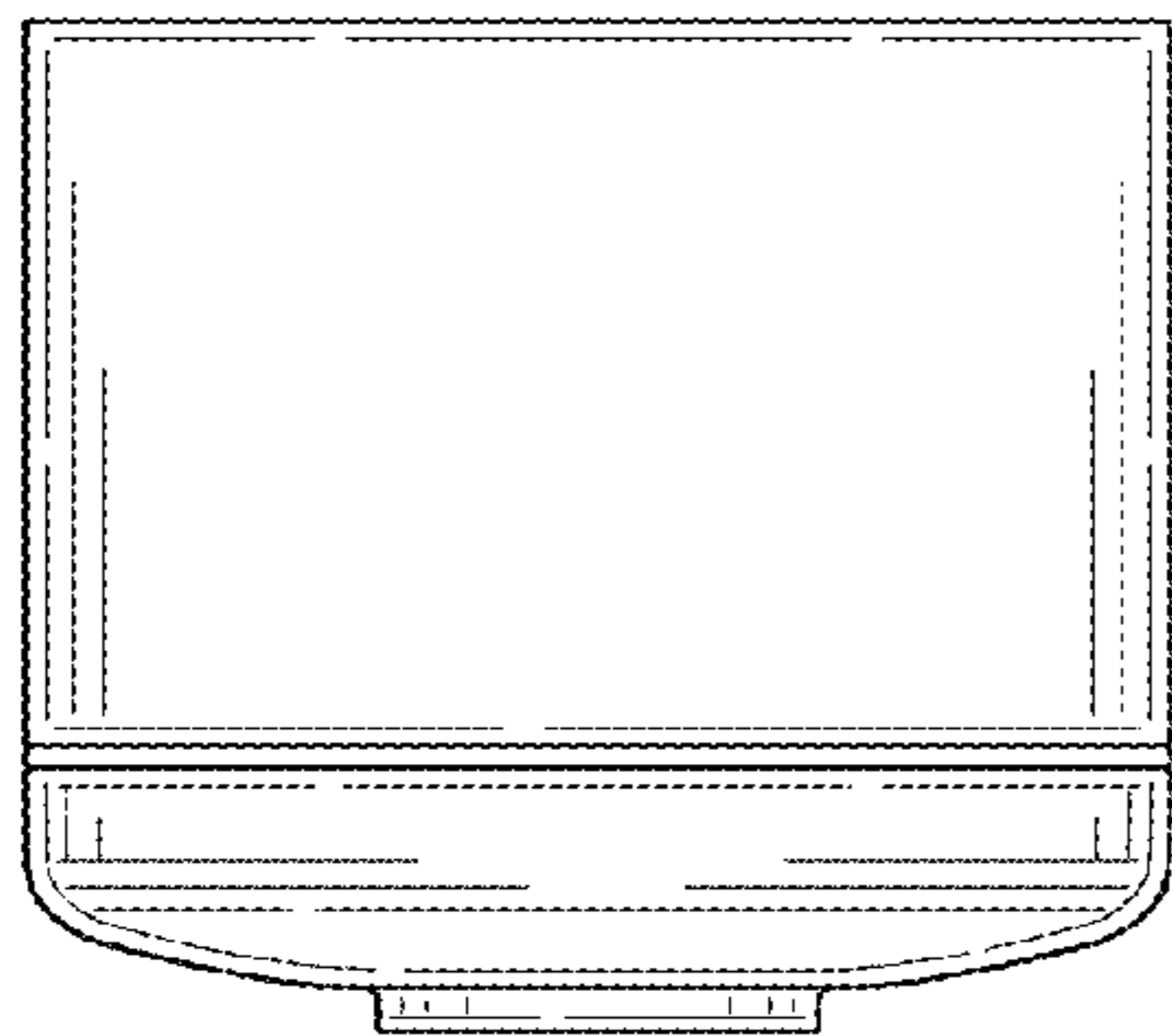


FIG. 6

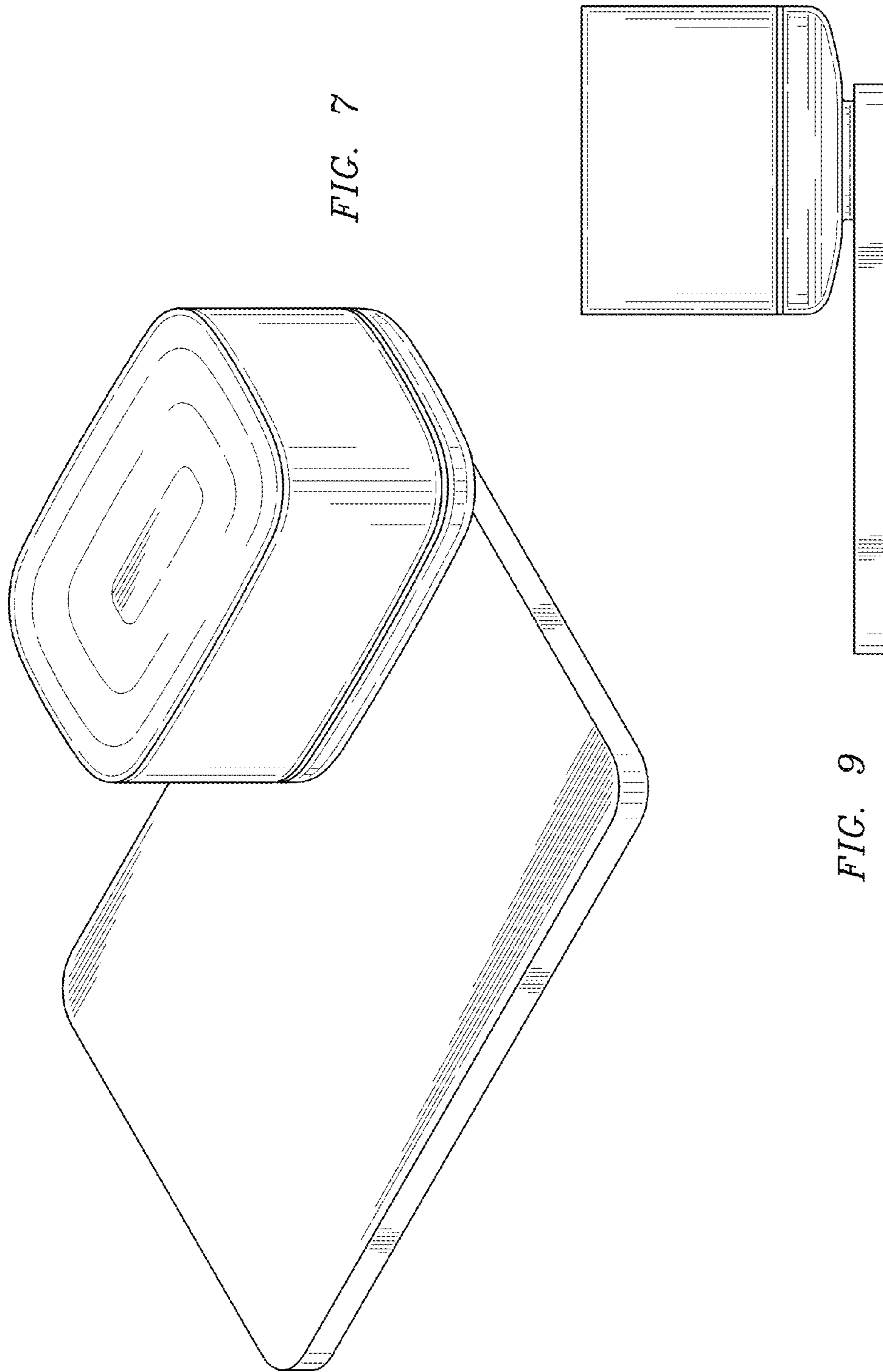


FIG. 7

FIG. 9

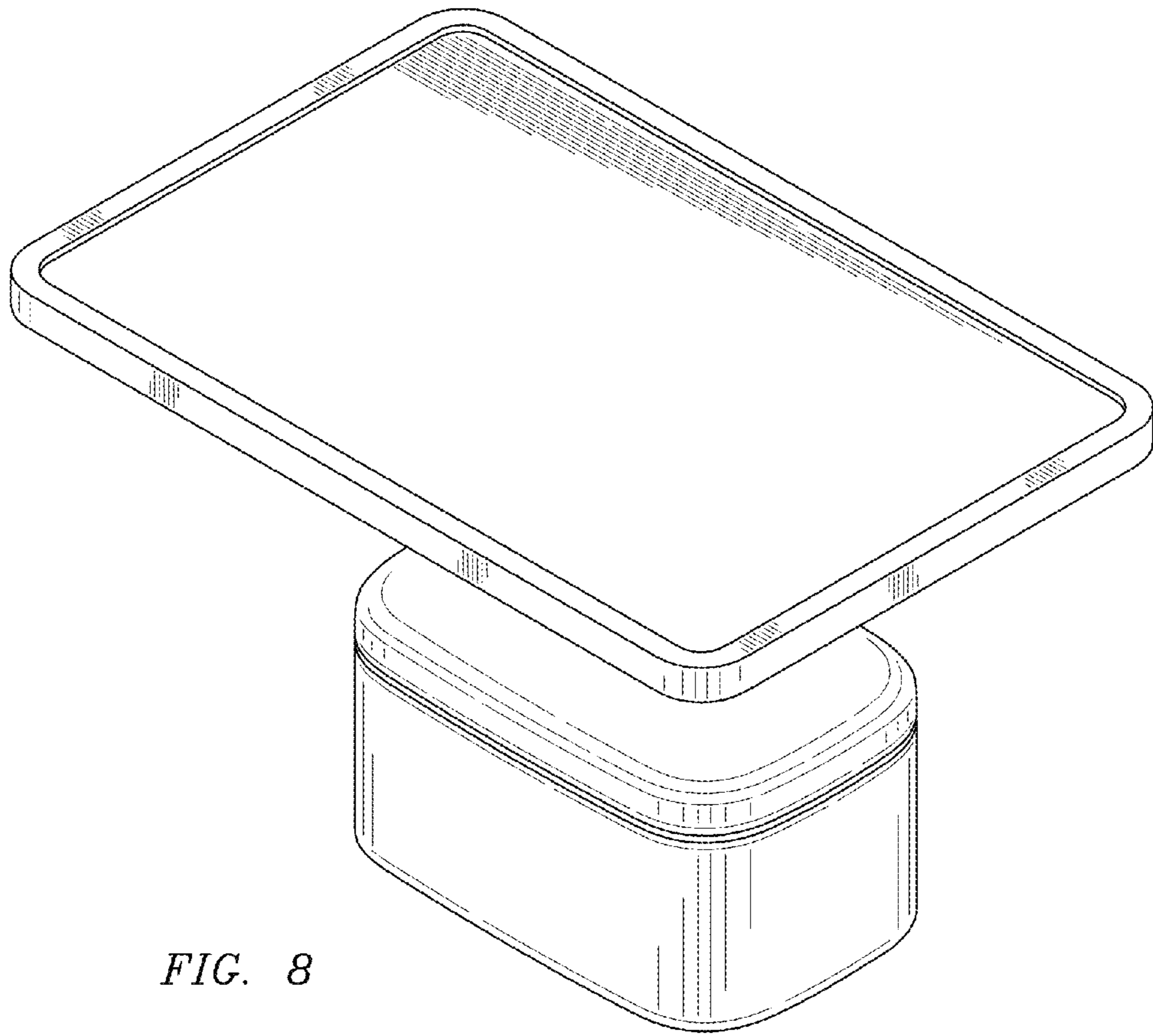


FIG. 8

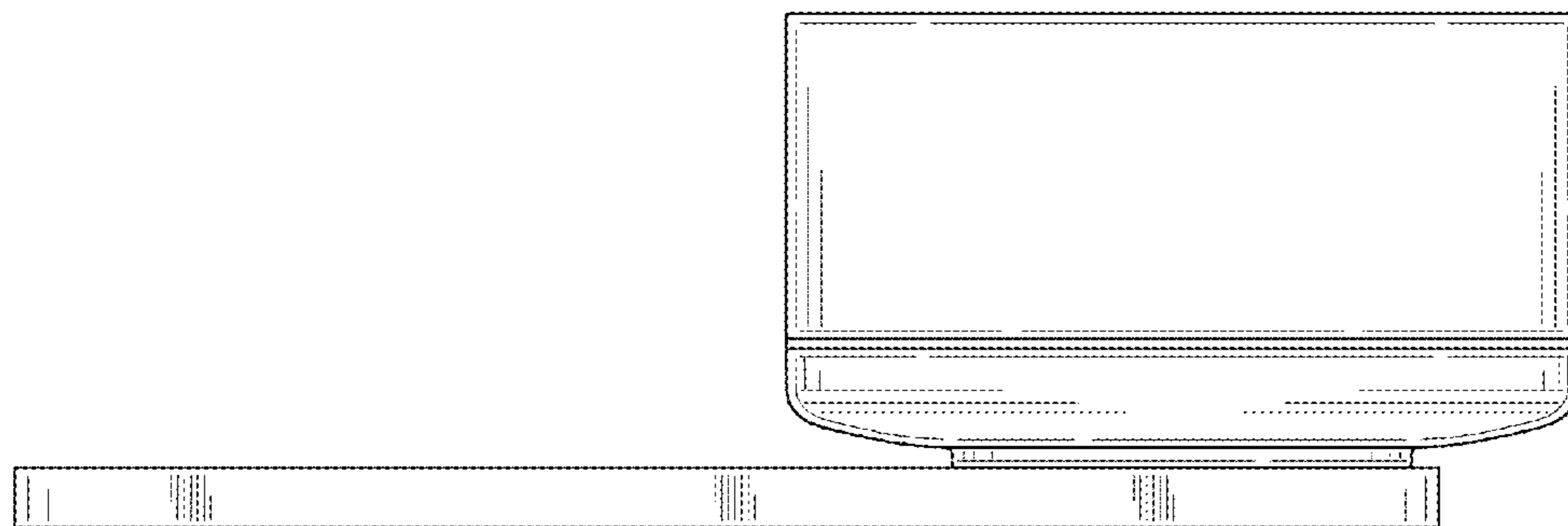


FIG. 10

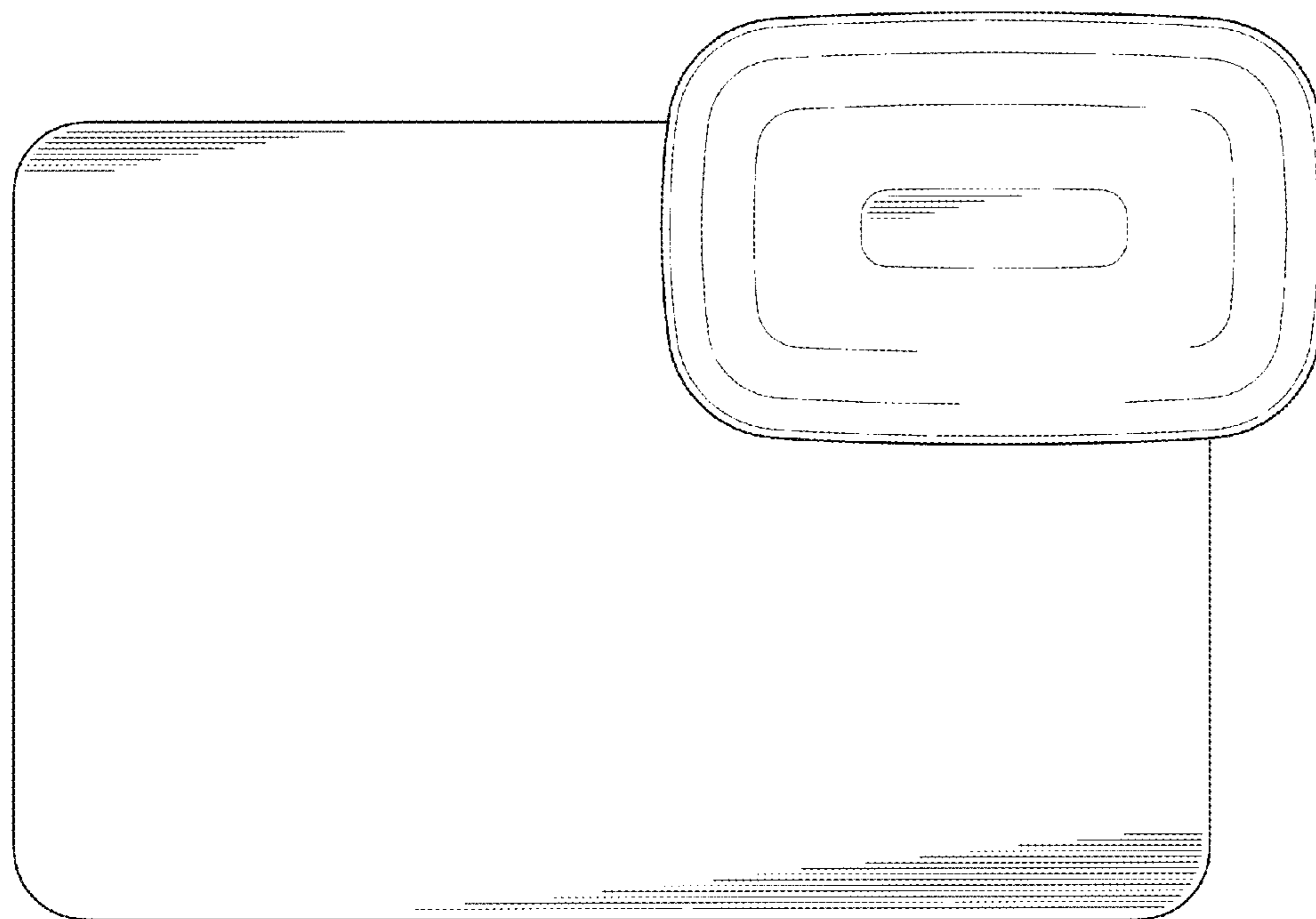


FIG. 11

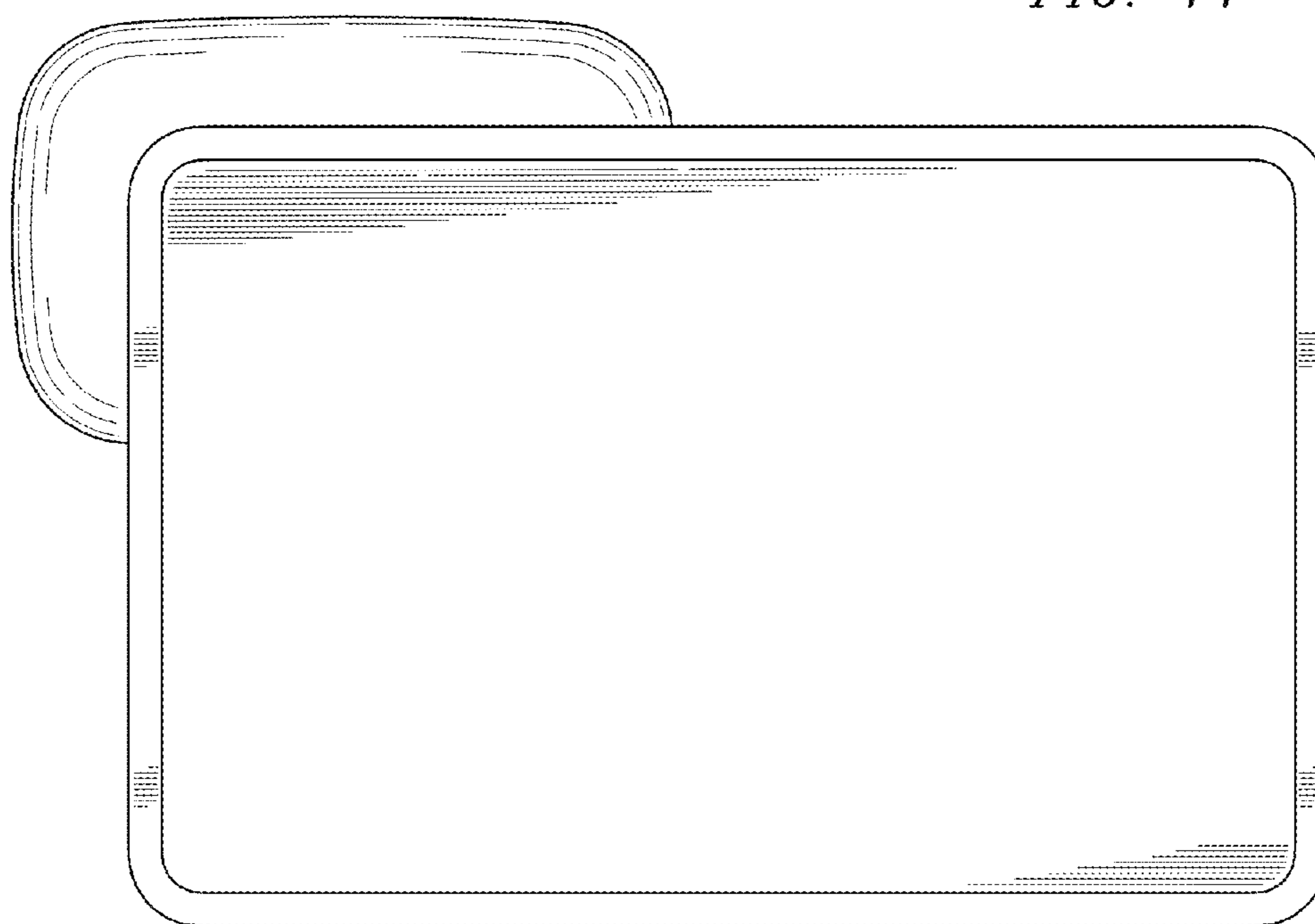


FIG. 12

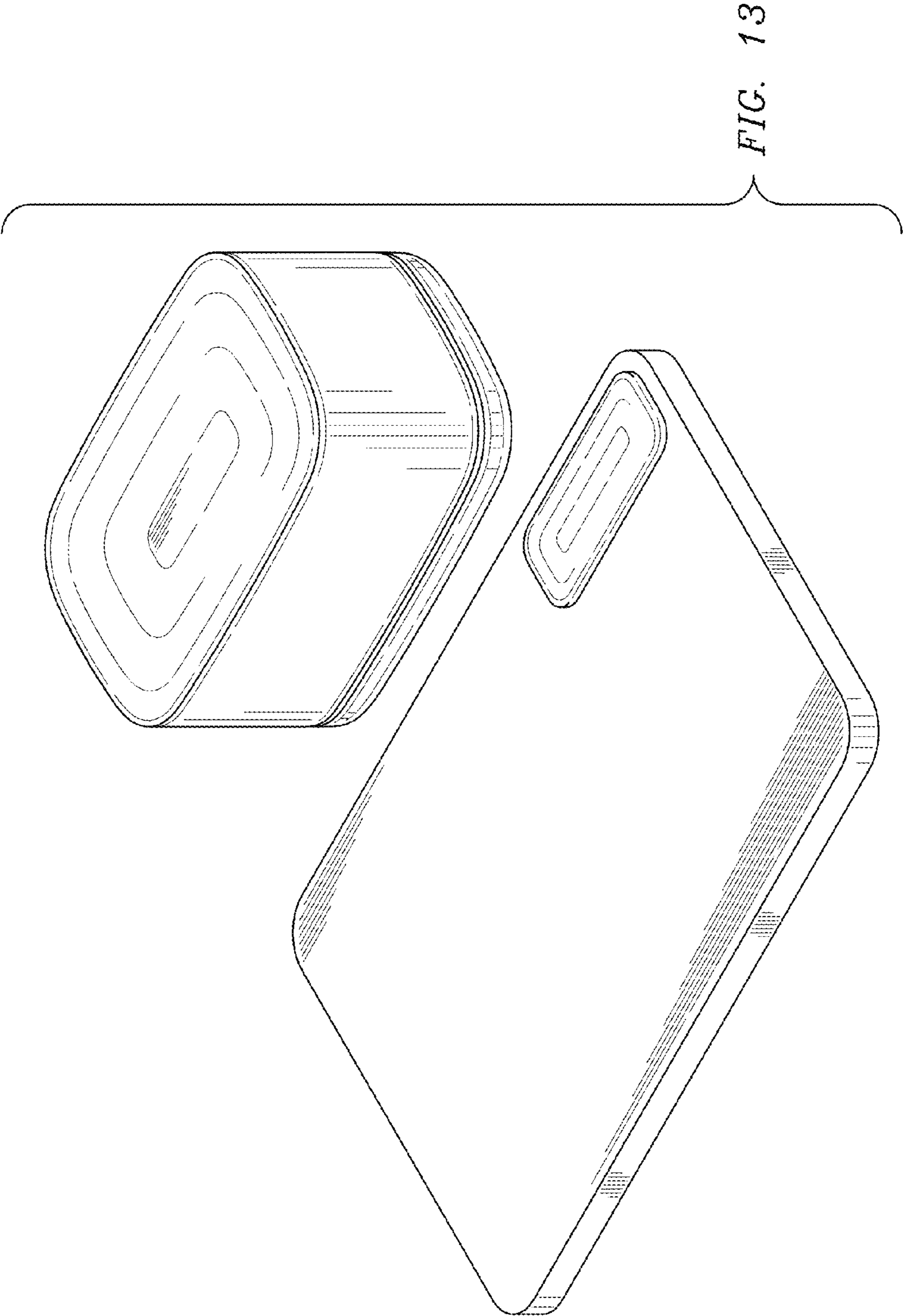


FIG. 13