



US00D743750S

(12) **United States Design Patent**  
**Hilbourne**

(10) **Patent No.:** **US D743,750 S**  
(45) **Date of Patent:** **\*\* Nov. 24, 2015**

(54) **STORAGE CONTAINER FOR BREAST MILK BAGS**

(71) Applicant: **Fairhaven Health, LLC**, Bellingham, WA (US)

(72) Inventor: **Jason Hilbourne**, Portland, OR (US)

(73) Assignee: **Fairhaven Health, LLC**, Bellingham, WA (US)

(\*\*) Term: **14 Years**

(21) Appl. No.: **29/458,919**

(22) Filed: **Jun. 24, 2013**

(51) **LOC (10) Cl.** ..... **07-01**

(52) **U.S. Cl.**

USPC ..... **D7/629**

(58) **Field of Classification Search**

USPC ..... D7/629, 601, 602, 628, 709, 710, 603, D7/604, 605, 606, 608, 612, 613, 701, 702, D7/703, 704, 705, 706, 707, 708, 543, 549, D7/600.1-600.4, 326, 354, 589, 667, 668, D7/400; D9/715, 737, 739, 755, 761; D15/89, 90; D3/201, 203, 269, 273, D3/294, 300, 304, 309, 311, 314, 315, D3/328; 206/425, 45.23; 220/332, 812, 220/DIG. 25, 573.1, 592.01, 592.12, 220/592.16, 592.2, 592.28, 592.03, 59.04, 220/592.05, 592.09, 592.11, 592.13, 220/592.14, 592.15, 592.18, 592.21, 220/592.24, 23.9, 23.91, 500, 501, 62.11, 220/62.12, 62.13, 62.14, 62.18, DIG. 13, 220/DIG. 14, DIG. 18

CPC ... A47G 29/14; A47G 29/141; A47G 29/142; A47G 29/144; A47G 29/145; A47G 29/146; A47G 29/147; A47G 29/148; A47G 29/149; A47G 29/143; A47G 23/04; A47G 23/0683; A47G 23/0691; B65D 2583/00; B65D 2583/005; B65D 2585/00; B65D 2581/00; B65D 2581/34; B65D 2575/00; B65D 85/00; B65D 83/00; B65D 81/00; B65D 37/00; B65D 15/00; B65D 15/02; B65D 13/00; B65D 11/00; B65D 11/02; B65D 11/105; B65D 11/12; B65D 11/20; B65D 7/00;

B65D 7/02; B65D 7/42; B65D 7/04; B65D 7/06; B65D 7/065; B65D 7/10; B65D 7/12; B65D 1/00; B65D 1/22; B65D 1/225; B65D 1/24; B65D 1/26; B65D 1/34; B65D 3/00; B65D 3/02; B65D 3/10; B65D 5/00; B65D 5/18; B65D 5/20; B65D 5/2004; B65D 5/2038; B65D 5/2019; B65D 5/2023; B65D 5/2009; B65D 5/2052; B65D 5/2057; B65D 5/2066; B65D 5/2076; B65D 5/2085; B65D 5/2095; B65D 5/32; B65D 5/321; B65D 5/322; B65D 5/324; B65D 5/325; B65D 5/326; B65D 5/38; B65D 5/40; B29D 22/00; B29D 22/003; B29D 22/006

See application file for complete search history.

(56) **References Cited**

U.S. PATENT DOCUMENTS

1,657,049 A \* 1/1928 Van Sicklen, Jr. .... 224/543  
2,648,428 A \* 8/1953 White et al. .... 206/386

(Continued)

*Primary Examiner* — Ian Simmons

*Assistant Examiner* — Shannon Morgan

(74) *Attorney, Agent, or Firm* — Michael R. Schacht; Schacht Law Office, Inc.

(57) **CLAIM**

I claim the ornamental design for a storage container for breast milk bags, as shown and described.

**DESCRIPTION**

FIG. 1 is a top, front, right side perspective view showing the new design of a storage container for breast milk bags;

FIG. 2 is a front elevational view thereof;

FIG. 3 is a rear elevational view thereof;

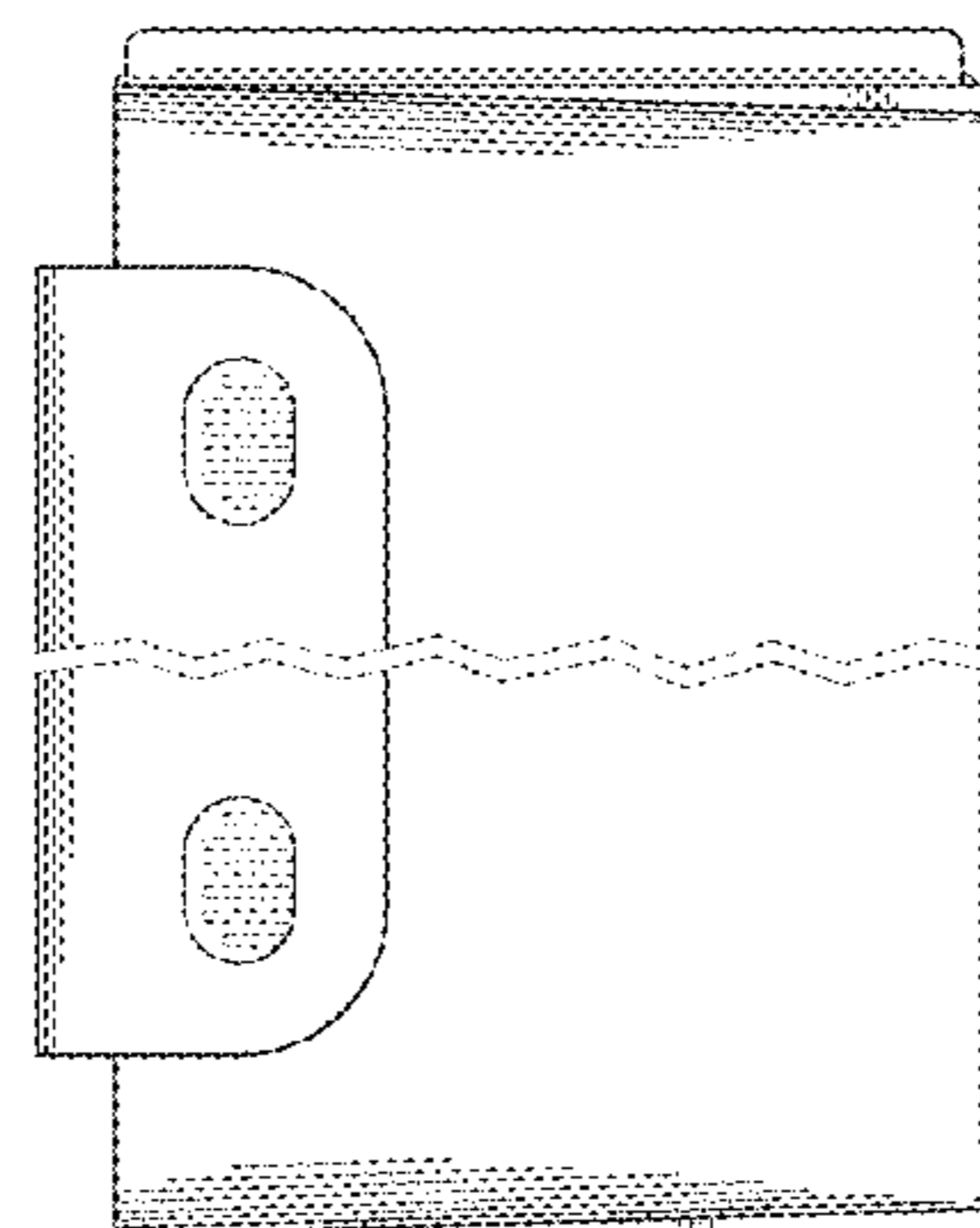
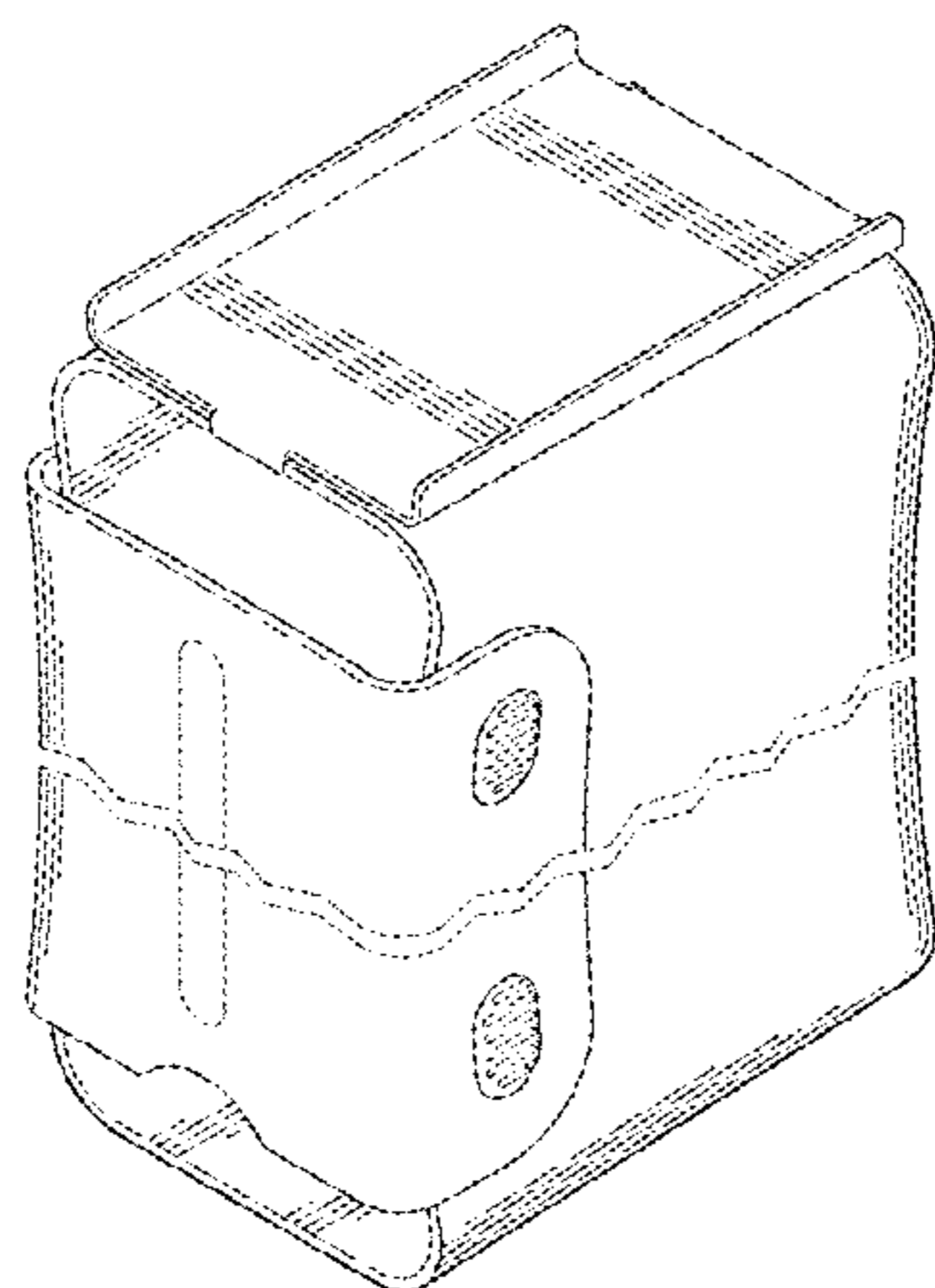
FIG. 4 is a right side elevational view thereof;

FIG. 5 is a top plan view thereof; and,

FIG. 6 is a bottom plan view thereof.

The short dash, short dash broken lines immediately adjacent to the shaded areas shown in FIGS. 1-4 represent the boundary of the claimed design. The long dash, short dash, short dash broken lines and boundary within shown in FIG. 2 represent portions of the storage container for breast milk bags that form no part of the claimed design. None of the broken lines form part of the claimed design.

**1 Claim, 4 Drawing Sheets**



(56)

**References Cited**

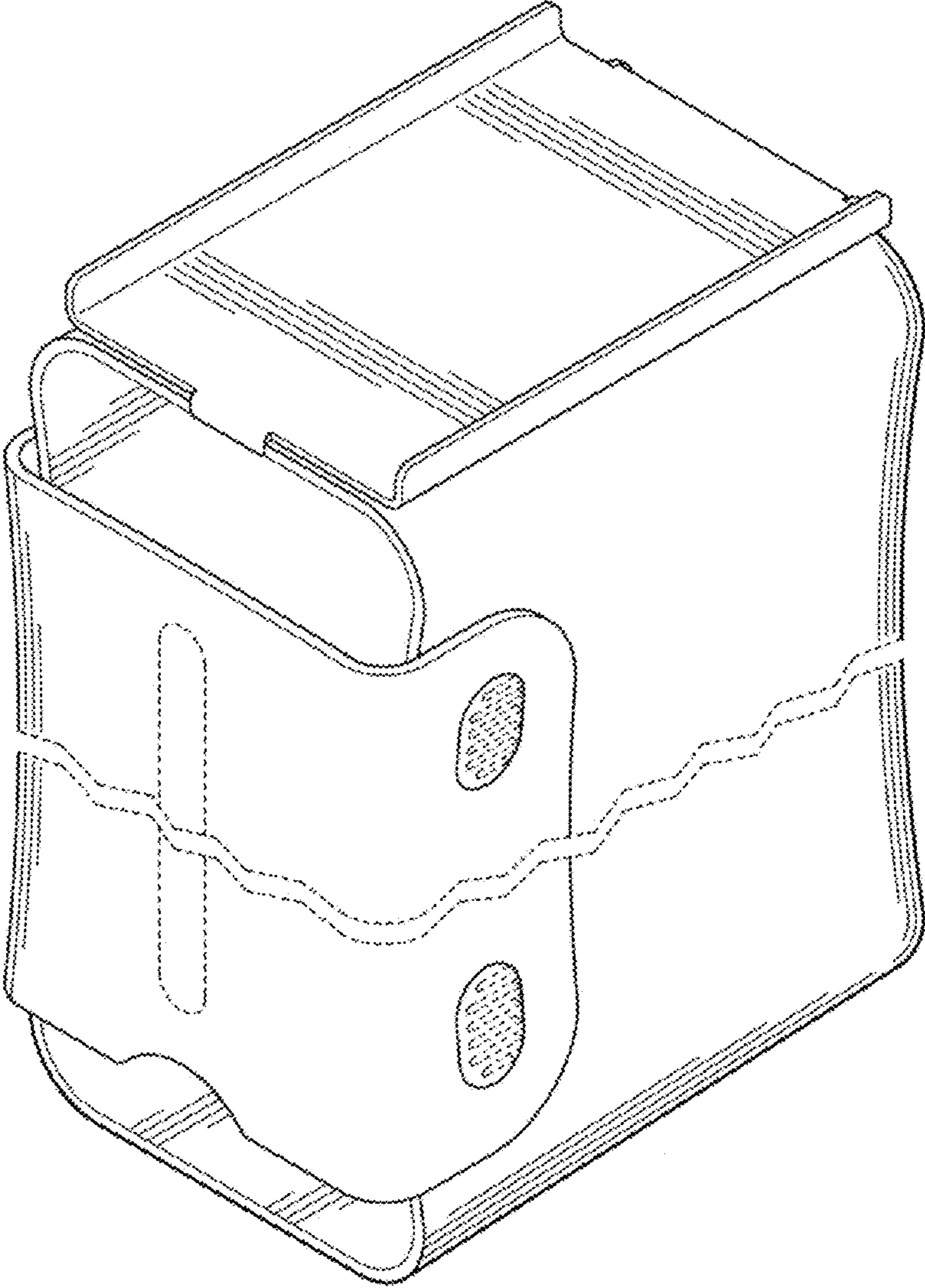
U.S. PATENT DOCUMENTS

2,741,390 A \* 4/1956 Moore ..... 220/4.21  
2,950,012 A \* 8/1960 Mascaretti ..... 211/65  
D206,631 S \* 1/1967 Leominster ..... D15/89  
D255,312 S \* 6/1980 Uyeda ..... D7/629  
D263,354 S \* 3/1982 Jones ..... D6/515  
4,396,119 A \* 8/1983 Giulie ..... 206/425

D371,220 S \* 6/1996 Behrens ..... D28/38  
D385,673 S \* 10/1997 Siler et al. .... D99/28  
D533,414 S \* 12/2006 Claypool et al. .... D7/701  
D603,664 S \* 11/2009 Roefs et al. .... D7/709  
D705,615 S \* 5/2014 Yessin ..... D7/667  
D711,943 S \* 8/2014 Park et al. .... D15/89  
D730,954 S \* 6/2015 Choi et al. .... D15/89  
D731,185 S \* 6/2015 Hsu ..... D3/304  
D732,309 S \* 6/2015 Lisbona Vives ..... D6/545

\* cited by examiner

FIG. 1



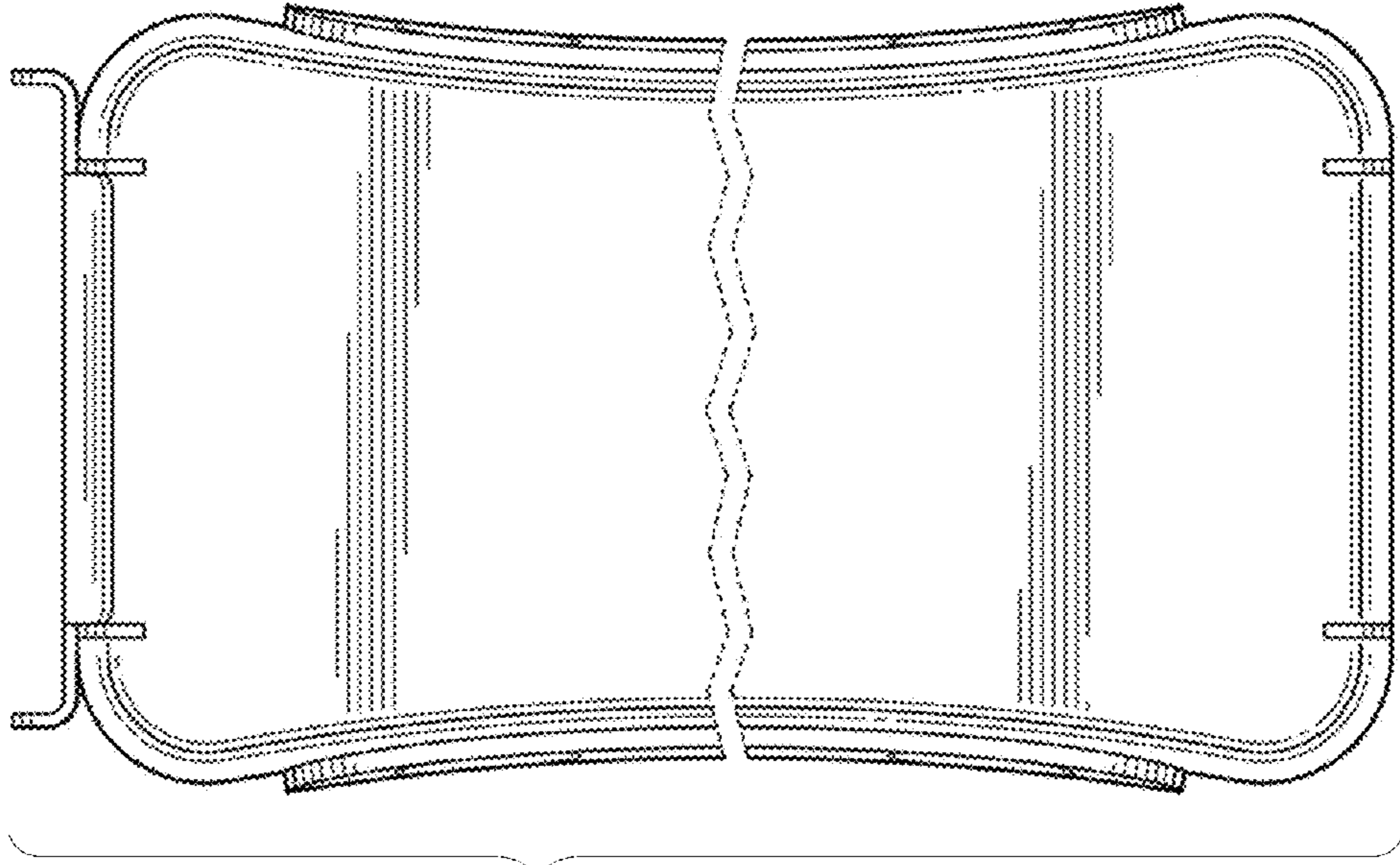


FIG. 3

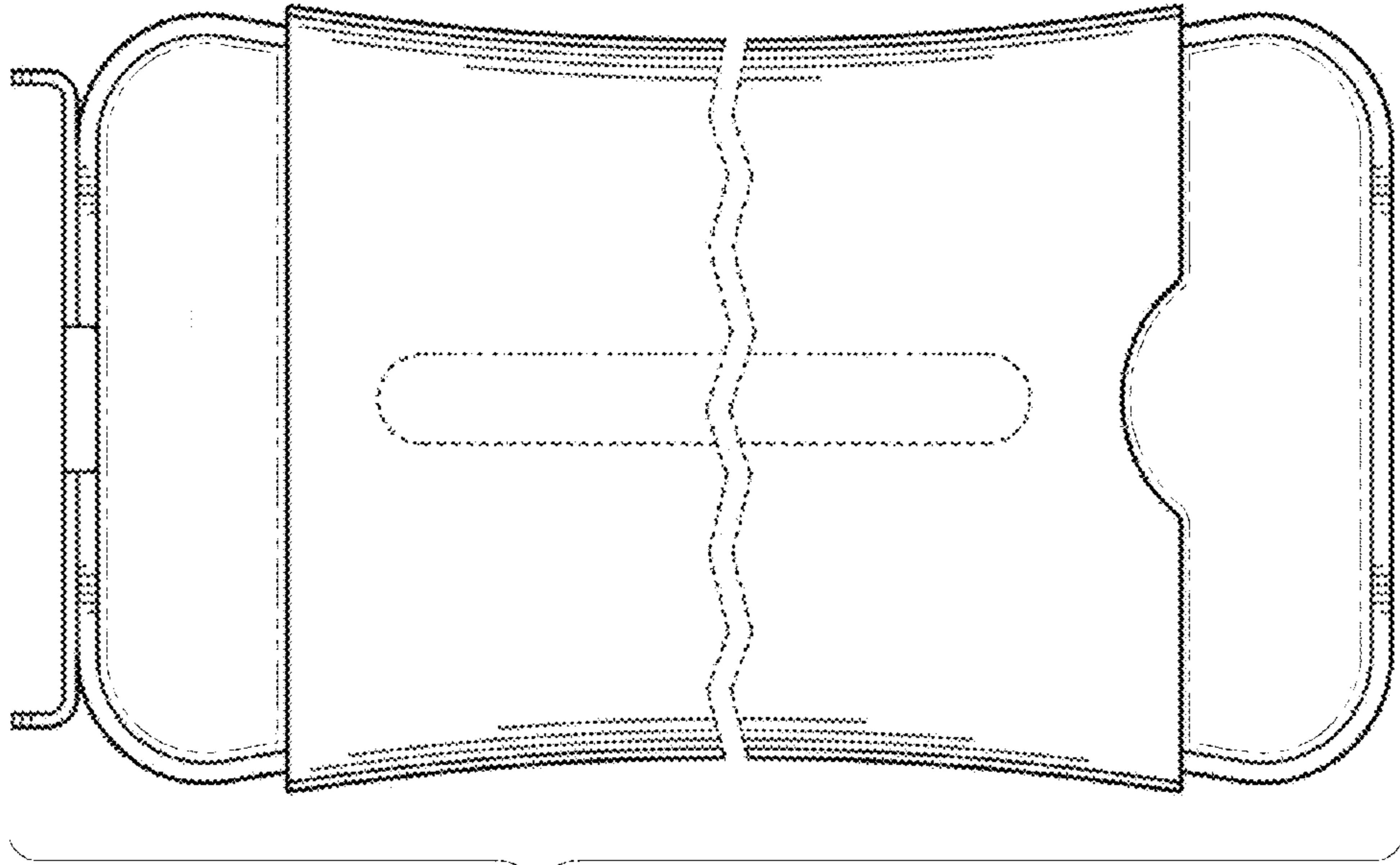


FIG. 2

FIG. 4

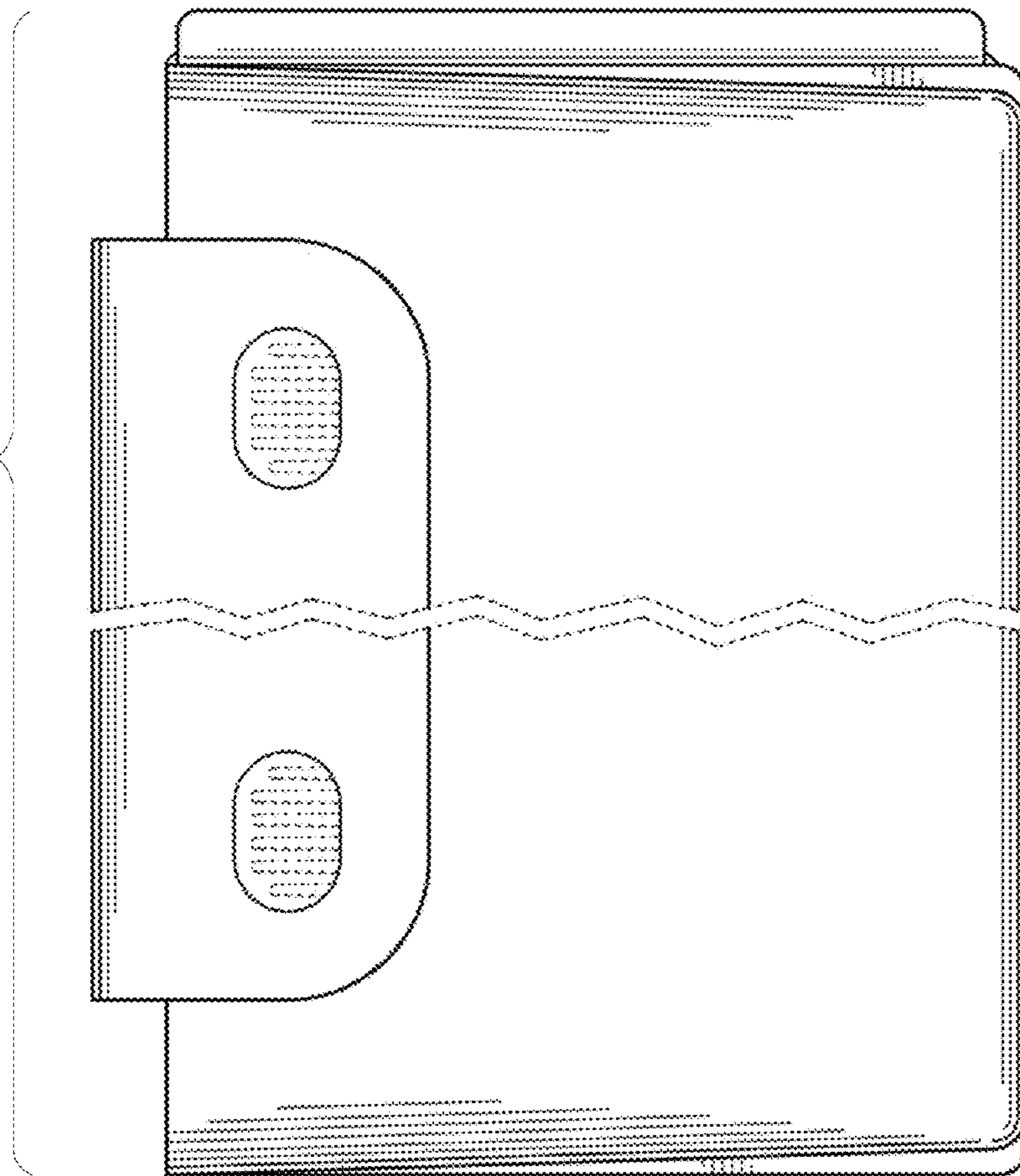


FIG. 5

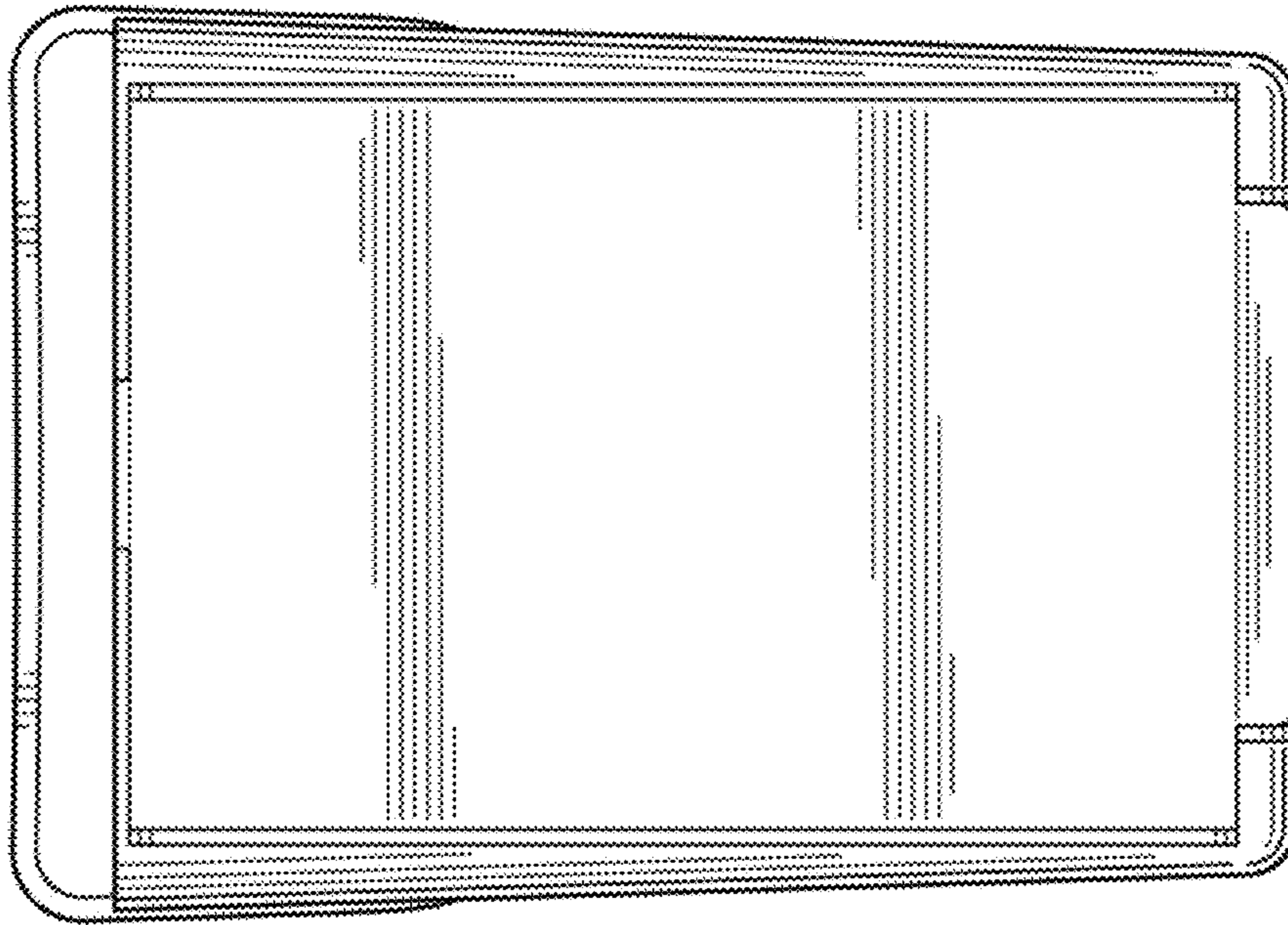


FIG. 6

