



US00D743748S

(12) **United States Design Patent**  
**Tiemann et al.**

(10) **Patent No.:** **US D743,748 S**  
(45) **Date of Patent:** **\*\* Nov. 24, 2015**

(54) **DRAWER FOR HOLDING BEVERAGE CARTRIDGES**

(71) Applicant: **Nifty Home Products, Inc.**, Madison Lake, MN (US)

(72) Inventors: **Frank Tiemann**, Madison Lake, MN (US); **Richard W. Vogelgesang, II**, Madison Lake, MN (US); **Todd M. Hertaus**, New Market, MN (US); **Nicholas J. Teigland**, Mankato, MN (US)

(73) Assignee: **Nifty Home Products, Inc.**, Madison Lake, MN (US)

(\*\*) Term: **14 Years**

(21) Appl. No.: **29/478,223**

(22) Filed: **Jan. 2, 2014**

(51) **LOC (10) Cl.** ..... **07-06**

(52) **U.S. Cl.**  
USPC ..... **D7/600.1**

(58) **Field of Classification Search**

USPC ..... D7/600, 600.1–600.4, 392, 397, 589, D7/590, 596, 597, 601, 602, 609, 610, 612, D7/614, 615, 620–623, 628–632, 637–641, D7/701–708, 708.1, 709, 710; D3/304–315, 317, 319, 302, 316; D6/559, 560, 566, 567, 570, 571, 573, D6/574, 512, 705, 705.1, 705.2, 705.3, D6/705.4, 705.5, 705.6, 705.7, 706, 707, D6/707.1, 707.19, 707.15, 627, 628, 629, D6/631, 654, 654.11, 654.12, 654.13, D6/654.14, 654.15, 654.18, 654.19, 654.2, D6/654.22, 654.21, 655, 655.11, 655.12, D6/655.13, 655.14, 655.15, 655.17, D6/655.18, 655.19, 655.22, 655.23, 651.9, D6/692.4, 692.5, 693.1, 677, 677.1, 677.2, D6/677.5, 678.4, 708.2, 668.1, 655.2; D19/75, 77, 78, 83, 86, 92; 206/511, 206/557, 560, 510, 513, 503, 566, 563, 206/564; 211/1, 10, 13.1, 69.1, 69.5, 70, 211/70.1, 70.6, 74, 77, 78, 85.1, 85.2, 85.4, 211/85.5, 85.31, 126.9, 126.11, 126.15, 211/129.1, 131.1, 133.2, 133.4, 134, 133.5, 211/133.6, 181.1, 182; 312/323, 330.1, 312/334.1, 334.27, 408, 410, 334.44, 325, 312/326, 327, 332.1, 333; 220/485, 493, 220/491

CPC ..... A45D 33/22; B65D 2203/00; B65D 7/20; B65D 83/00; B65D 21/00; B65D 85/305; B65D 85/30; A47G 7/02; A47B 88/00; A47B 88/0003; A47B 88/0007; A47B 88/0014; A47B 88/20; A47B 88/202; A47B 88/04; A47B 88/0466; A47B 88/0418; A47B 81/007; A47B 2088/0444; A47J 31/3642; A47J 47/16; A47J 47/00; A47J 31/44; A47J 31/36

See application file for complete search history.

(56) **References Cited**

U.S. PATENT DOCUMENTS

921,694 A 5/1909 Hall  
D433,711 S 11/2000 Andujar

(Continued)

OTHER PUBLICATIONS

“Smart Works Keurig K Cup Coffee Pod Drawer Holds 35 Pods Chrome Finish Glass Top”, ebay.com, Apr. 7, 2014.

*Primary Examiner* — Ian Simmons

*Assistant Examiner* — Shannon Morgan

(74) *Attorney, Agent, or Firm* — Thomas J. Nikolai; Nikolai & Mersereau, P.A.

(57) **CLAIM**

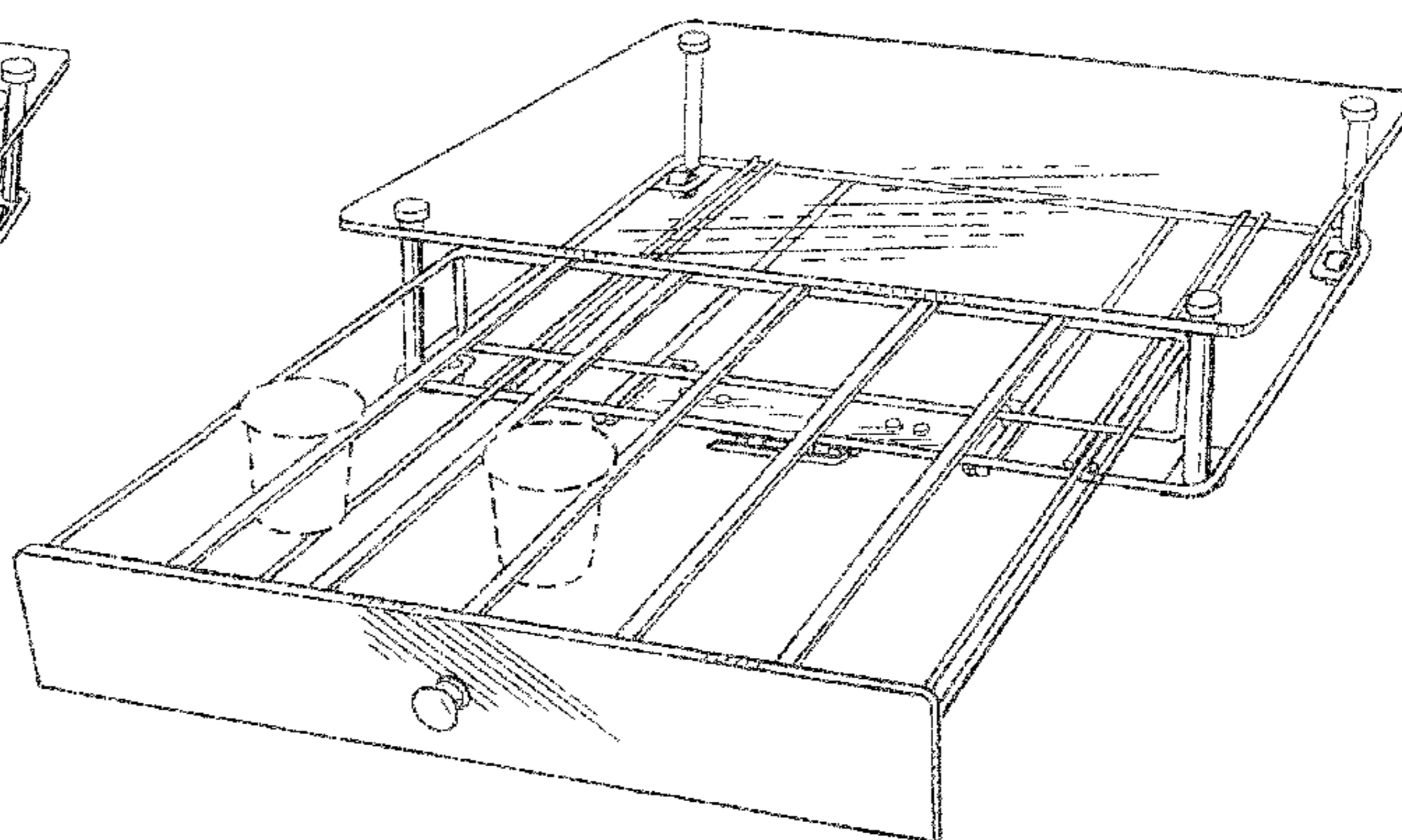
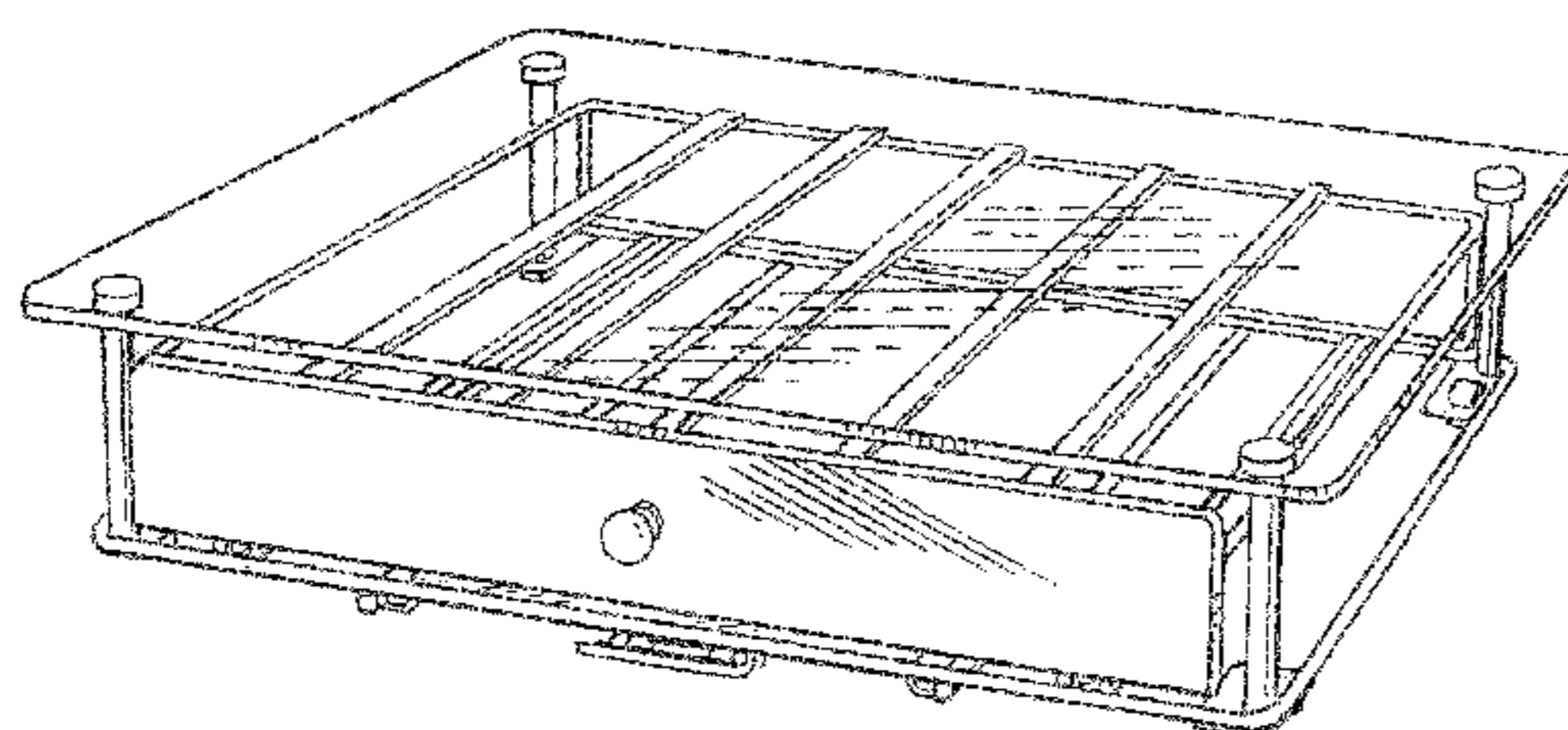
The ornamental design for a drawer for holding beverage cartridges, as shown and described.

**DESCRIPTION**

FIG. 1 is a top, front perspective view of a drawer for holding beverage cartridges showing our new design; FIG. 2 is a top, front perspective view of the drawer for holding beverage cartridges shown with drawer extended; FIG. 3 is a top plan view thereof; FIG. 4 is a bottom plan view thereof; FIG. 5 is a front elevational view thereof; FIG. 6 is a right side elevational view thereof; FIG. 7 is a rear elevational view thereof; and, FIG. 8 is a left side elevational view thereof.

The broken lines in FIG. 2 showing beverage cartridges of the drawer for holding beverage cartridges are for the purpose of illustrating environment, and form no part of the claimed design.

**1 Claim, 4 Drawing Sheets**



(56)

References Cited

U.S. PATENT DOCUMENTS

|              |         |              |          |                   |         |                |           |
|--------------|---------|--------------|----------|-------------------|---------|----------------|-----------|
| 6,840,593 B2 | 1/2005  | Remmers      |          | D682,039 S        | 5/2013  | Tiemann        |           |
| D525,488 S   | 7/2006  | McWhorter    |          | D682,040 S        | 5/2013  | Tiemann        |           |
| D547,094 S   | 7/2007  | Klein et al. |          | D686,464 S        | 7/2013  | Tiemann        |           |
| D628,444 S   | 12/2010 | Snider       |          | D691,858 S        | 10/2013 | Tiemann        |           |
| D628,445 S   | 12/2010 | Snider       |          | D701,090 S *      | 3/2014  | Sabounjian     | D7/600.1  |
| D635,363 S   | 4/2011  | Hertaus      |          | D701,431 S *      | 3/2014  | Tsai           | D7/600.1  |
| D635,765 S   | 4/2011  | Hertaus      |          | D701,733 S        | 4/2014  | Tiemann        |           |
| D643,686 S   | 8/2011  | Tiemann      |          | D703,004 S *      | 4/2014  | Tsai           | D7/600.1  |
| D644,069 S   | 8/2011  | Tiemann      |          | D703,005 S *      | 4/2014  | Tiemann        | D7/600.1  |
| D659,481 S   | 5/2012  | Tiemann      |          | D708,906 S *      | 7/2014  | Tiemann        | D7/600.1  |
| D660,088 S   | 5/2012  | Tiemann      |          | D708,907 S *      | 7/2014  | Tiemann        | D7/600.1  |
| D660,652 S   | 5/2012  | Tiemann      |          | D708,908 S *      | 7/2014  | Tiemann        | D7/600.1  |
| D661,951 S   | 6/2012  | Tiemann      |          | D708,909 S *      | 7/2014  | Tiemann        | D7/600.1  |
| D676,715 S * | 2/2013  | Tsai         | D7/600.1 | D713,691 S *      | 9/2014  | Sabounjian     | D7/600.1  |
| D679,954 S * | 4/2013  | Snider       | D7/600.1 | D713,692 S *      | 9/2014  | Tsai           | D7/600.1  |
| D680,380 S   | 4/2013  | Tiemann      |          | D718,578 S *      | 12/2014 | Sabounjian     | D7/600.1  |
| D681,398 S * | 5/2013  | Tsai         | D7/600.1 | D722,831 S *      | 2/2015  | Tuang et al.   | D7/600.1  |
|              |         |              |          | 8,974,014 B1 *    | 3/2015  | Tiemann et al. | 312/351.1 |
|              |         |              |          | 2005/0205578 A1   | 9/2005  | Yeh            |           |
|              |         |              |          | 2014/0048538 A1 * | 2/2014  | Sabounjian     | 220/486   |

\* cited by examiner

FIG. 1

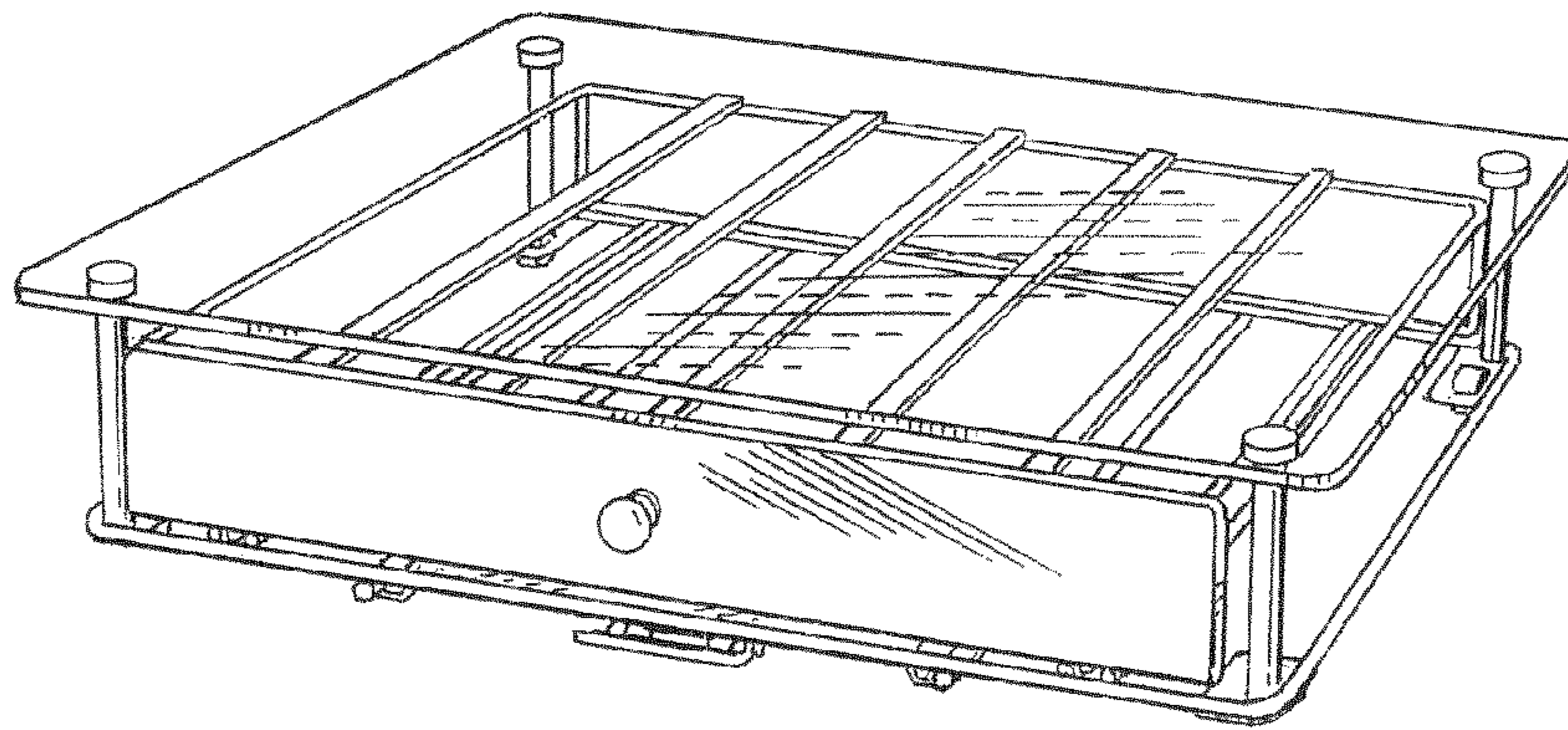


FIG. 2

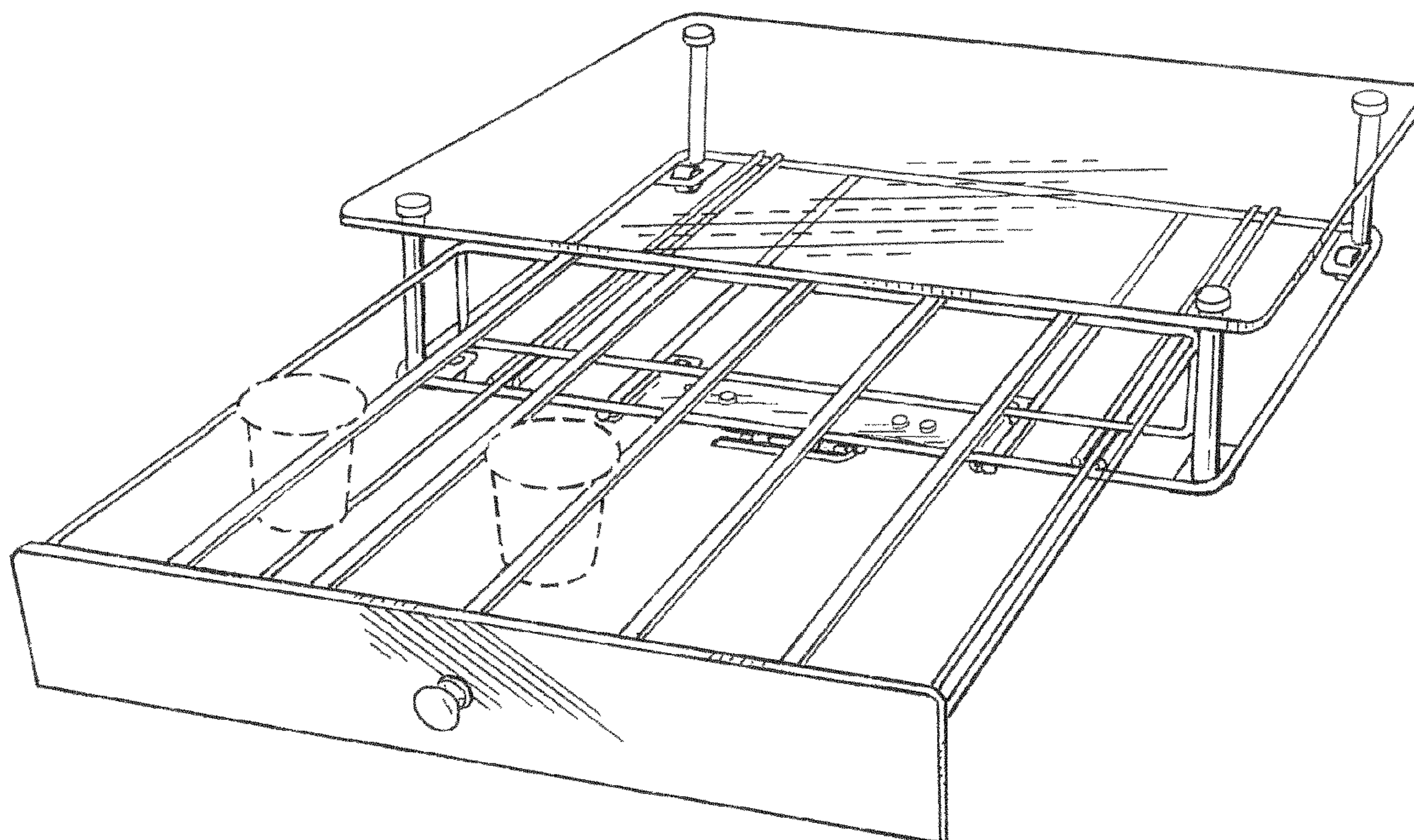


FIG. 3

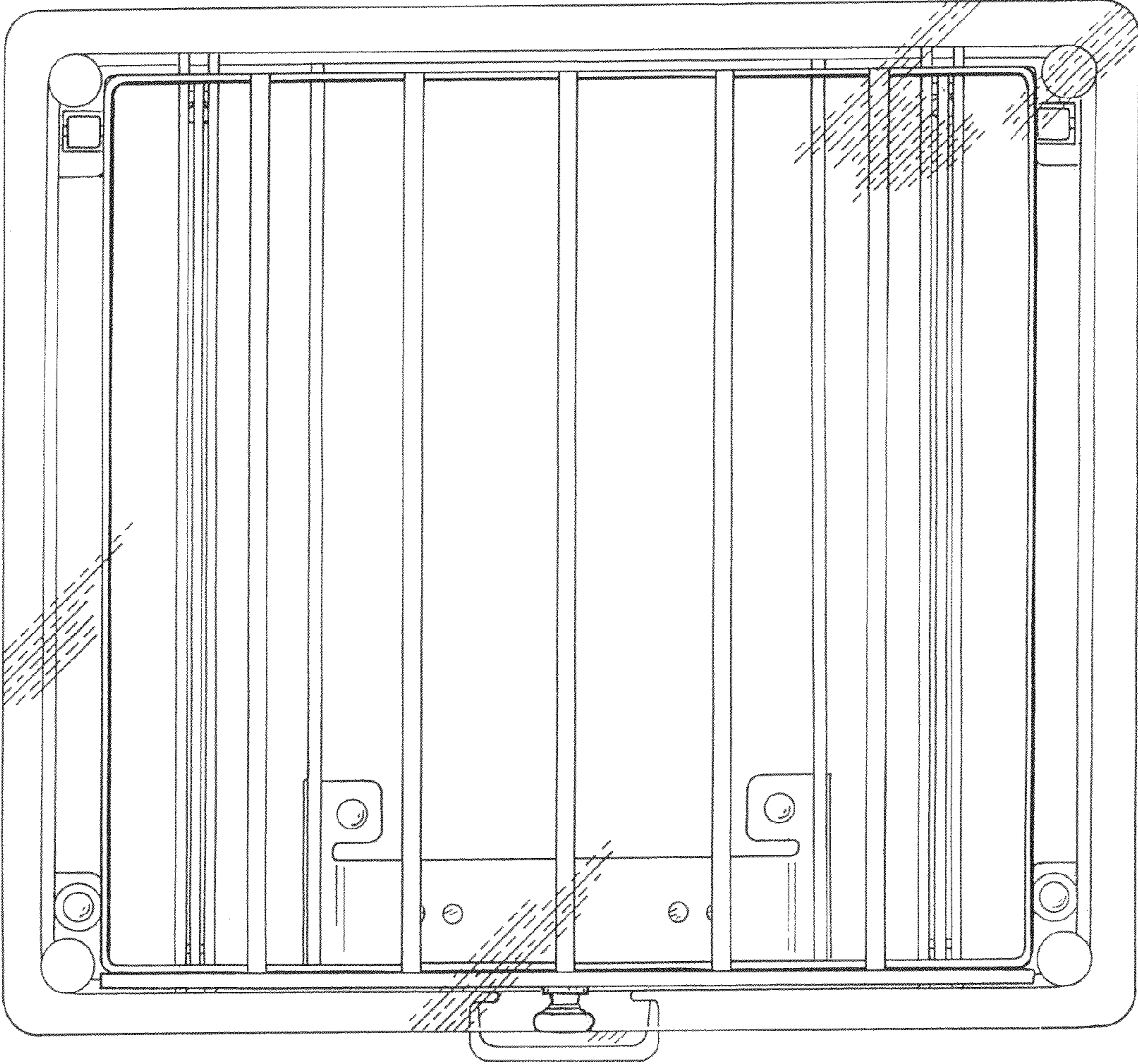


FIG. 4

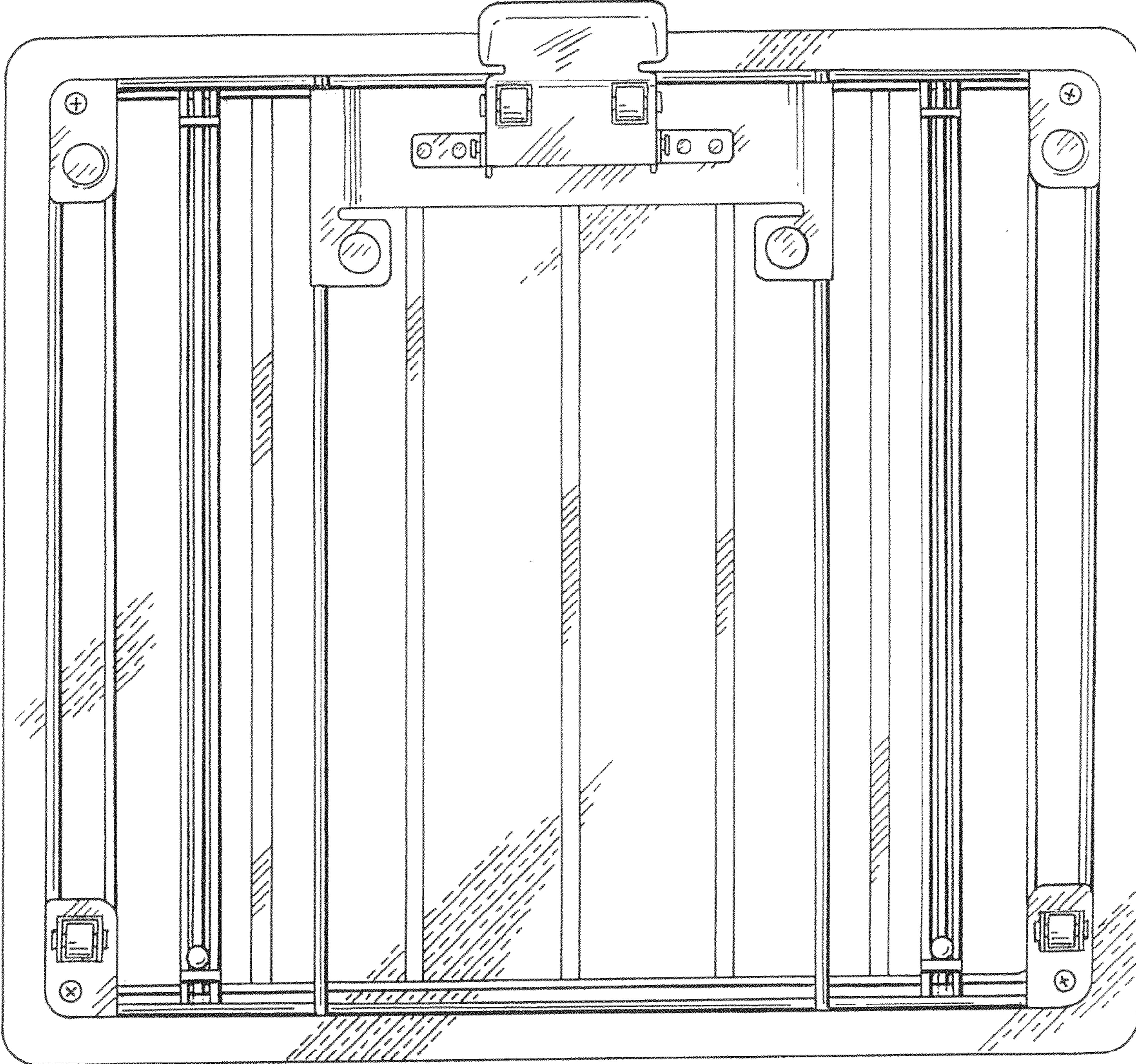


FIG. 5

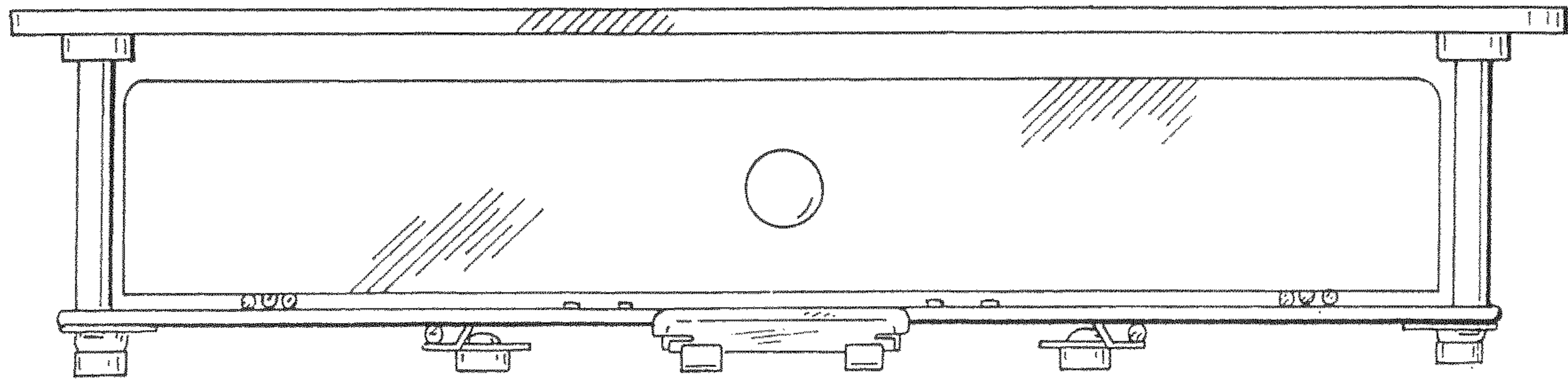


FIG. 6

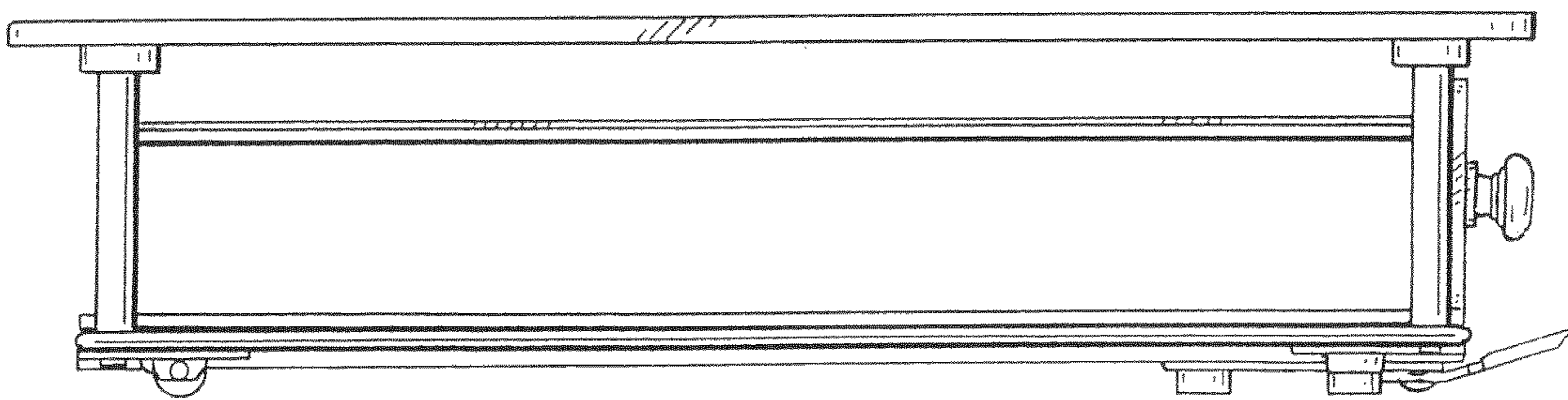


FIG. 7

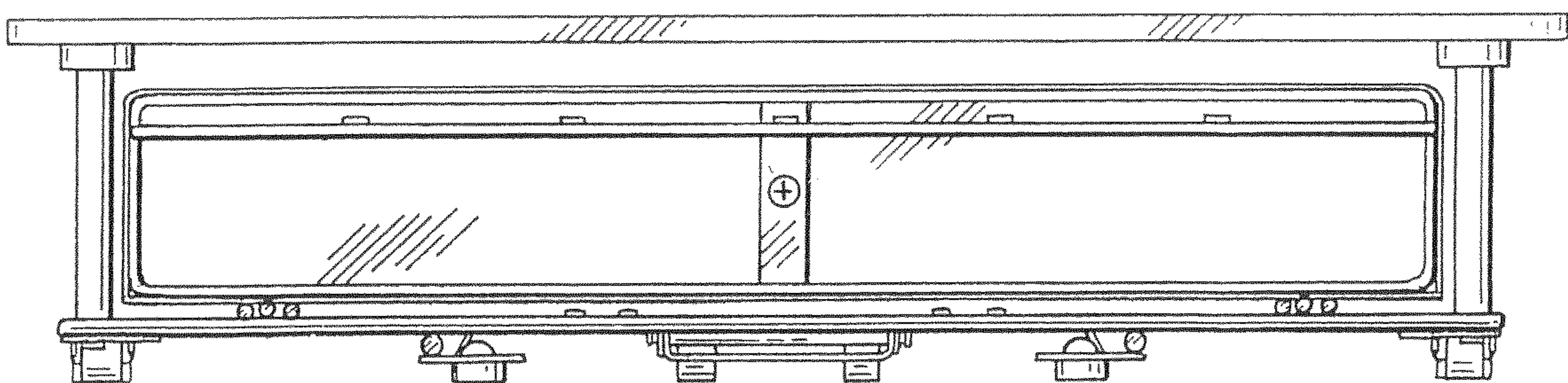


FIG. 8

