



US00D743746S

(12) **United States Design Patent**
Bentzen

(10) **Patent No.:** **US D743,746 S**

(45) **Date of Patent:** **** Nov. 24, 2015**

(54) **COVERED FOOD DISH**

(71) Applicant: **Dart Industries Inc.**, Orlando, FL (US)

(72) Inventor: **Josefine Bentzen**, Brussels (BE)

(73) Assignee: **Dart Industries Inc.**, Orlando, FL (US)

(**) Term: **14 Years**

(21) Appl. No.: **29/499,260**

(22) Filed: **Aug. 13, 2014**

(51) **LOC (10) Cl.** **07-01**

(52) **U.S. Cl.**
USPC **D7/538; D7/586**

(58) **Field of Classification Search**
USPC D7/584, 500, 560, 554.3, 550.1, 538,
D7/571, 587, 586, 551.2, 543, 545, 505,
D7/566, 509, 555, 553.6, 501, 540, 554.2,
D7/601, 502, 629, 542; 220/574; D30/129;
D3/304; D19/107, 135, 95; 206/459.5
CPC A47G 19/02; A47G 19/06; A47G 23/06;
A47G 19/12; A47G 19/00; B65D 1/34;
A01K 5/0142; A01K 5/0114
See application file for complete search history.

(56) **References Cited**

U.S. PATENT DOCUMENTS

D204,614 S	5/1966	Swett	
D204,615 S	5/1966	Swett	
D215,958 S	11/1969	Daenen	
D261,214 S *	10/1981	Oelzner	D7/502
D270,419 S	9/1983	Conti	
D270,597 S	9/1983	Conti	
D270,605 S	9/1983	Conti	
D284,437 S *	7/1986	Zieff	D7/502
D302,924 S	8/1989	Daenen et al.	
D322,013 S *	12/1991	Daenen	D7/502
D375,653 S *	11/1996	Ferris	D7/391
D391,809 S	3/1998	Jeppesen et al.	

D419,828 S *	2/2000	Lillelund	D7/502
D486,995 S	2/2004	Liu	
D524,106 S *	7/2006	Peterson	D7/502

(Continued)

OTHER PUBLICATIONS

Salami Saver; Snips SRL P., Jan. 1, 2013.

(Continued)

Primary Examiner — Cynthia Underwood

(74) *Attorney, Agent, or Firm* — Taylor J. Ross

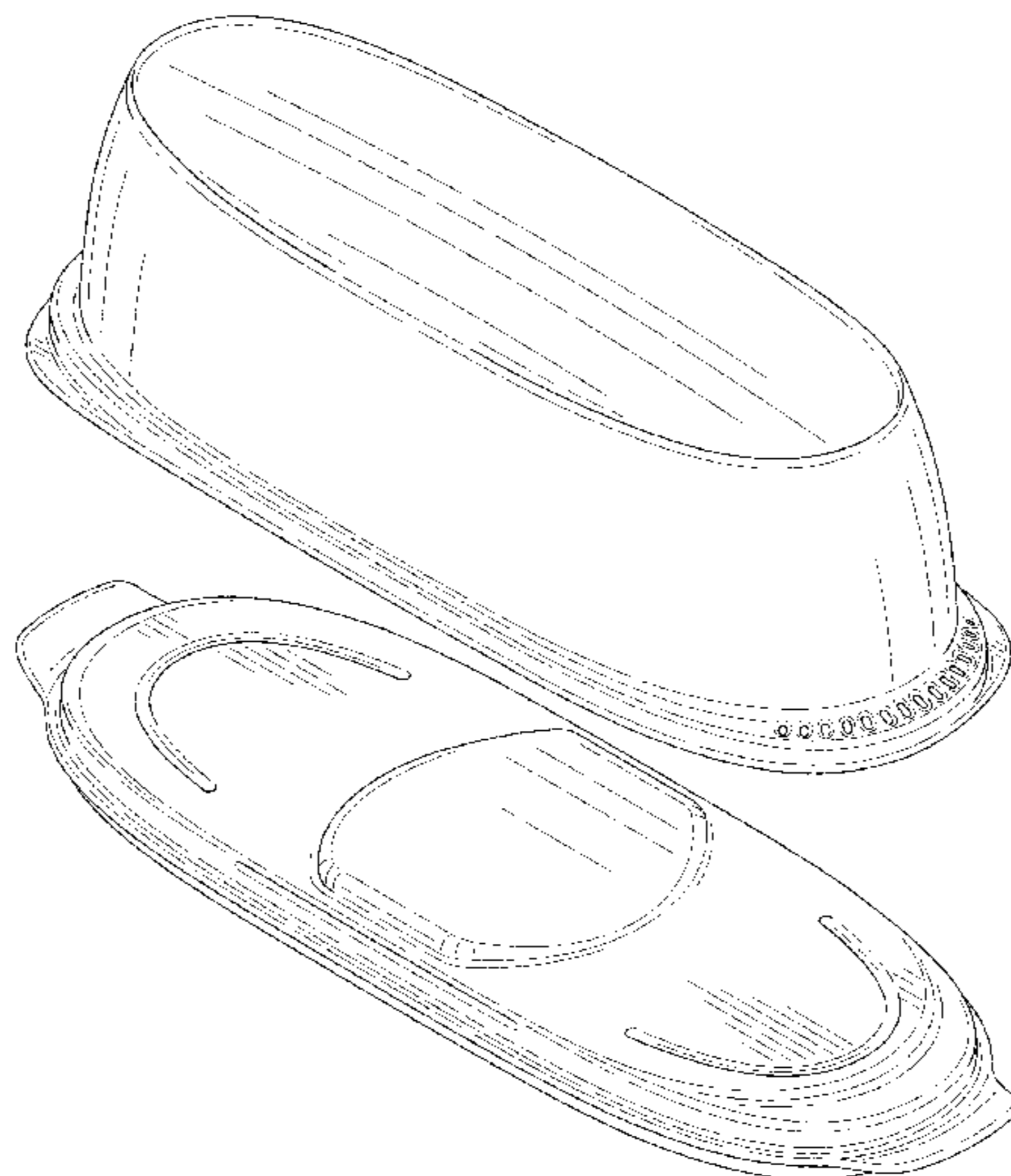
(57) **CLAIM**

The ornamental design for a covered food dish, as shown and described.

DESCRIPTION

FIG. 1 is a top, front and right side perspective view of a covered food dish showing my new design;
 FIG. 2 is an exploded view of the covered food dish shown in FIG. 1;
 FIG. 3 is a top plan view thereof;
 FIG. 4 is a bottom plan view thereof;
 FIG. 5 is a right side elevation view, the left side elevation being a mirror image thereof;
 FIG. 6 is a front elevation view thereof;
 FIG. 7 is a rear elevation view thereof;
 FIG. 8 is a front elevation view of the dish shown separated from the cover, the rear elevation view being a mirror image;
 FIG. 9 is a bottom plan view of the cover, shown separated from the dish;
 FIG. 10 is a top plan view of the base, shown separated from the cover;
 FIG. 11 is a cross-sectional view taken along line 11-11 of FIG. 3;
 FIG. 12 is an exploded cross-sectional view thereof;
 FIG. 13 is a cross-sectional view taken along line 13-13 of FIG. 3; and,
 FIG. 14 is an exploded cross-sectional view thereof.

1 Claim, 7 Drawing Sheets



(56)

References Cited

OTHER PUBLICATIONS

U.S. PATENT DOCUMENTS

D700,483 S * 3/2014 Yessin D7/629
D720,961 S * 1/2015 Gabriel D7/502

Rubbermaid Butter Dish; Product No. #3930, Jan. 1, 2013.

* cited by examiner

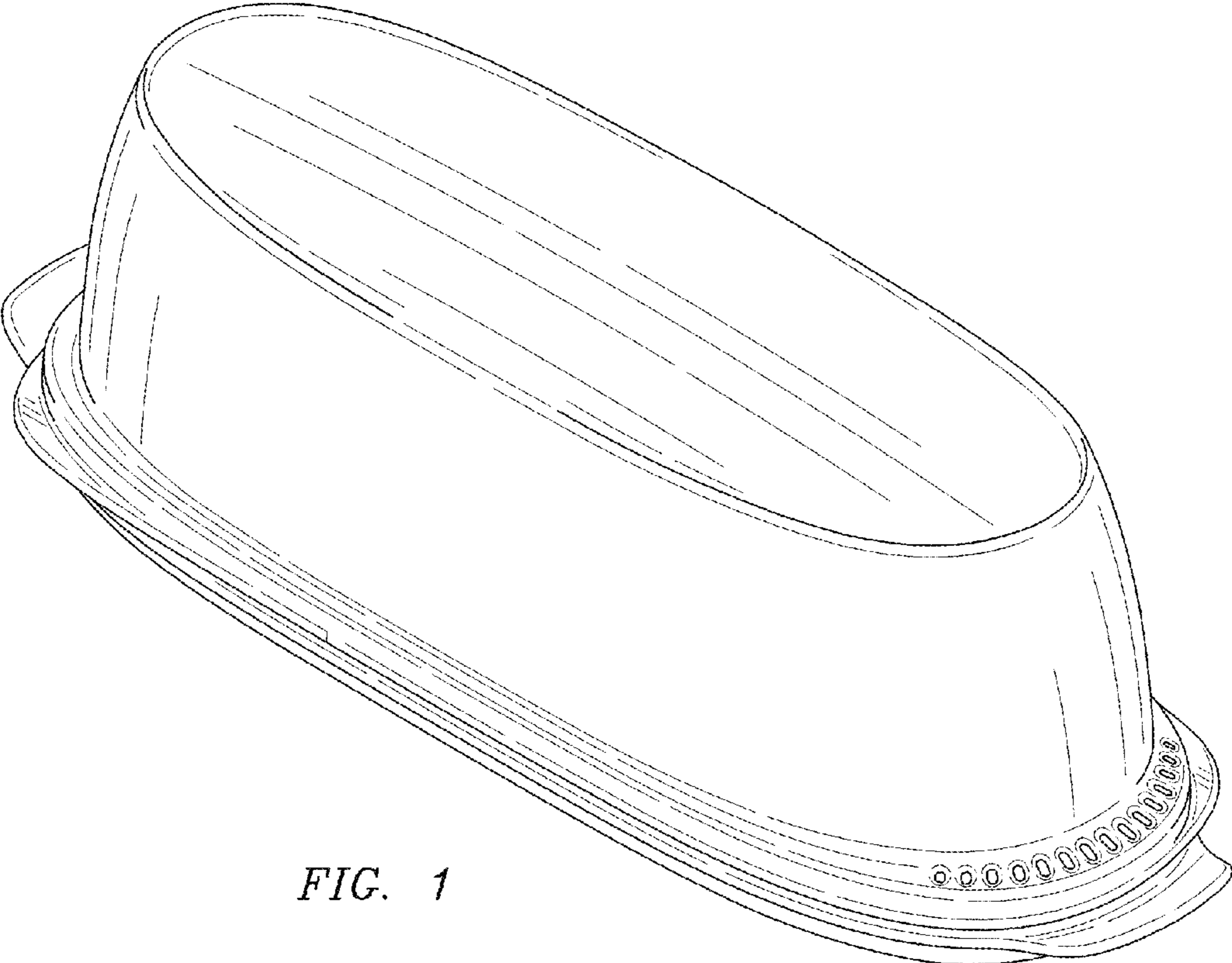


FIG. 1

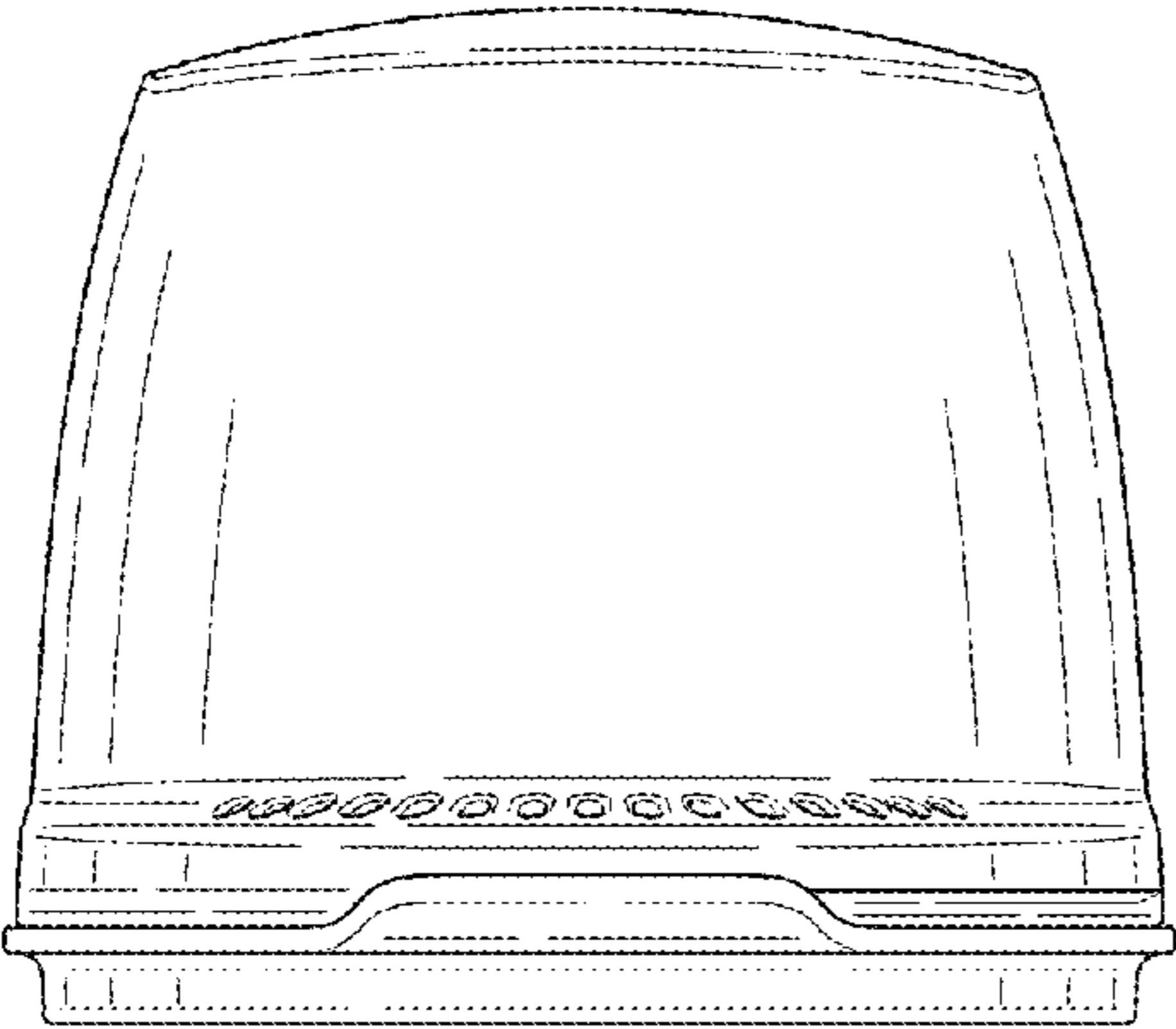


FIG. 6

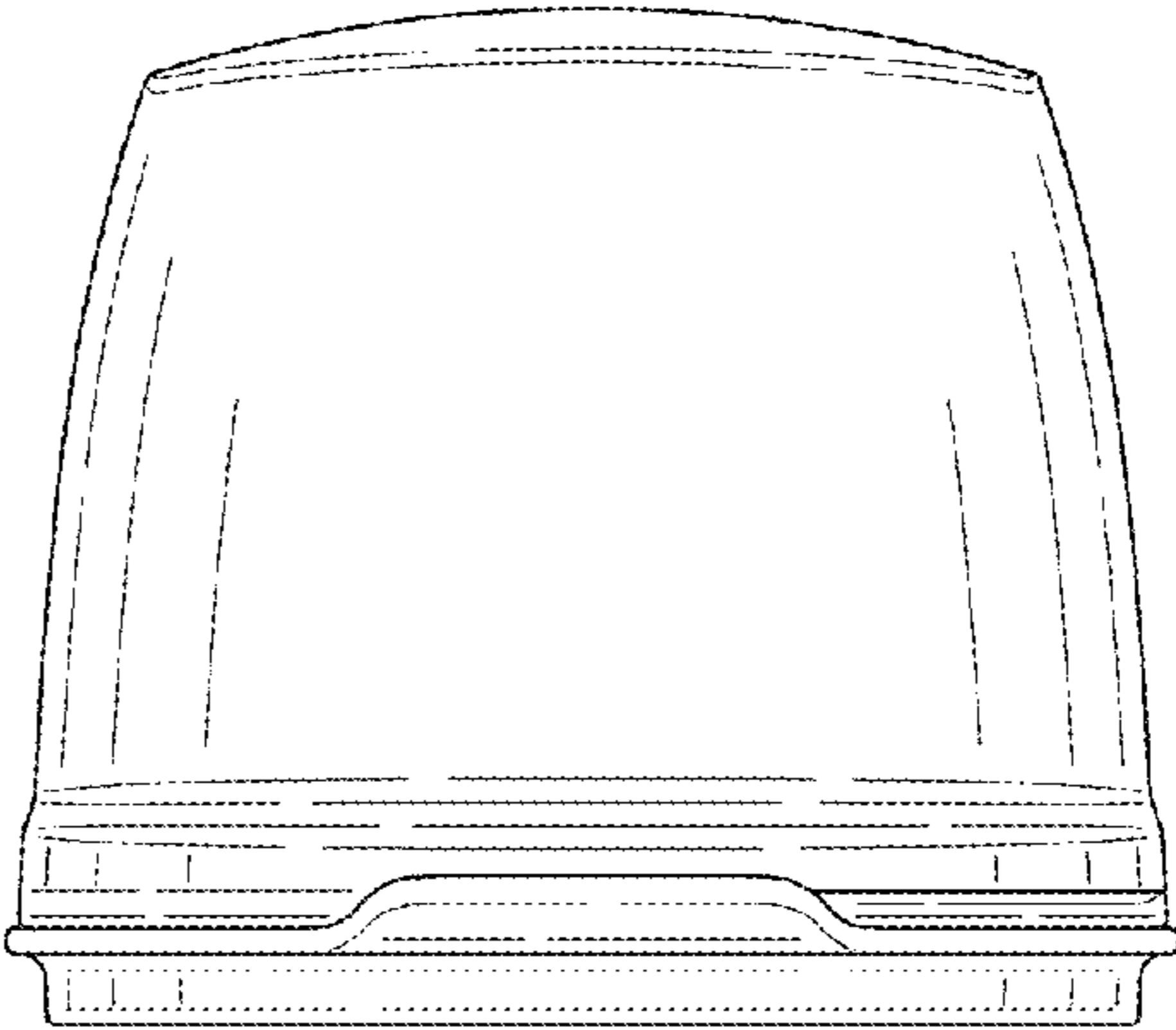


FIG. 7

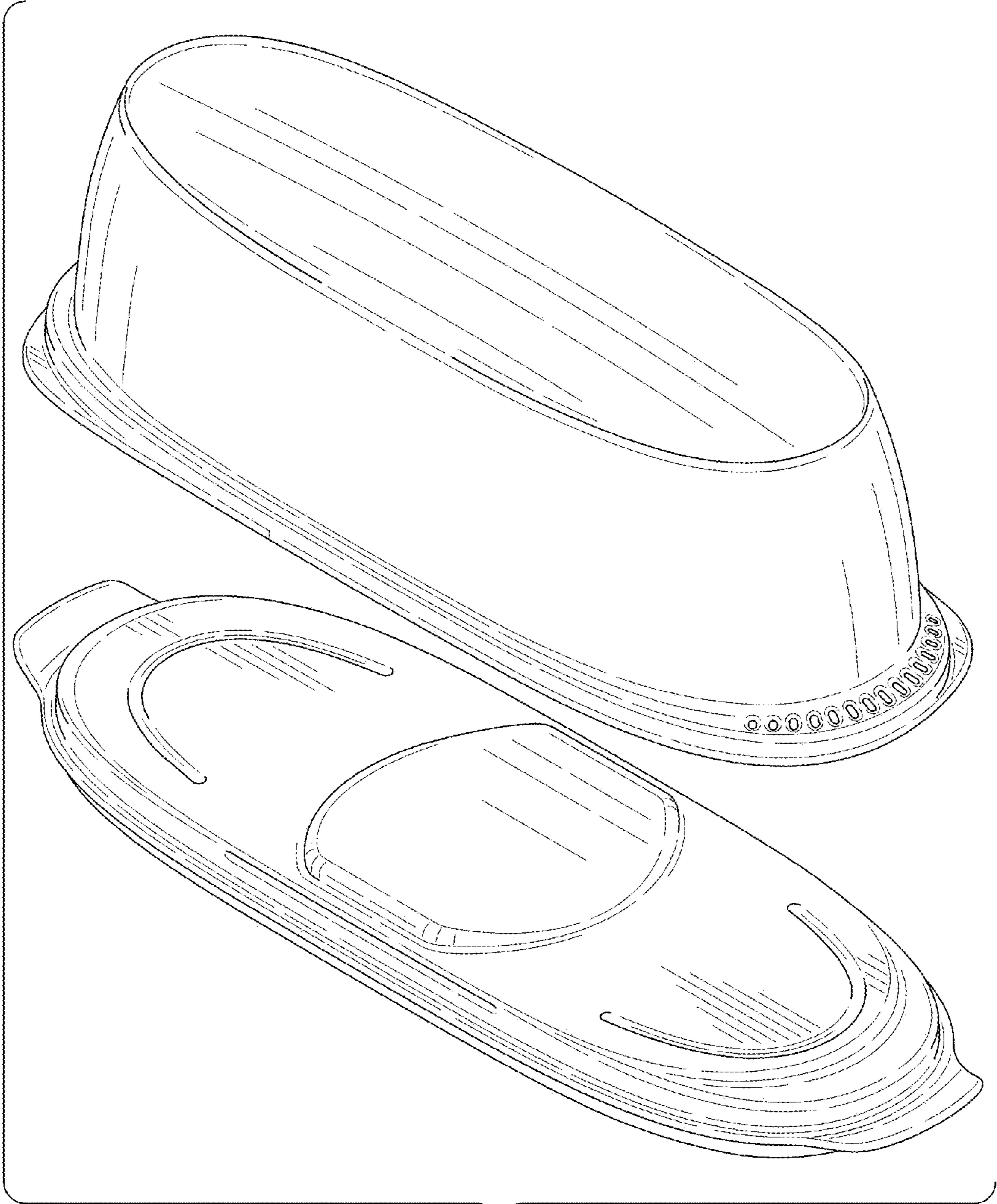


FIG. 2

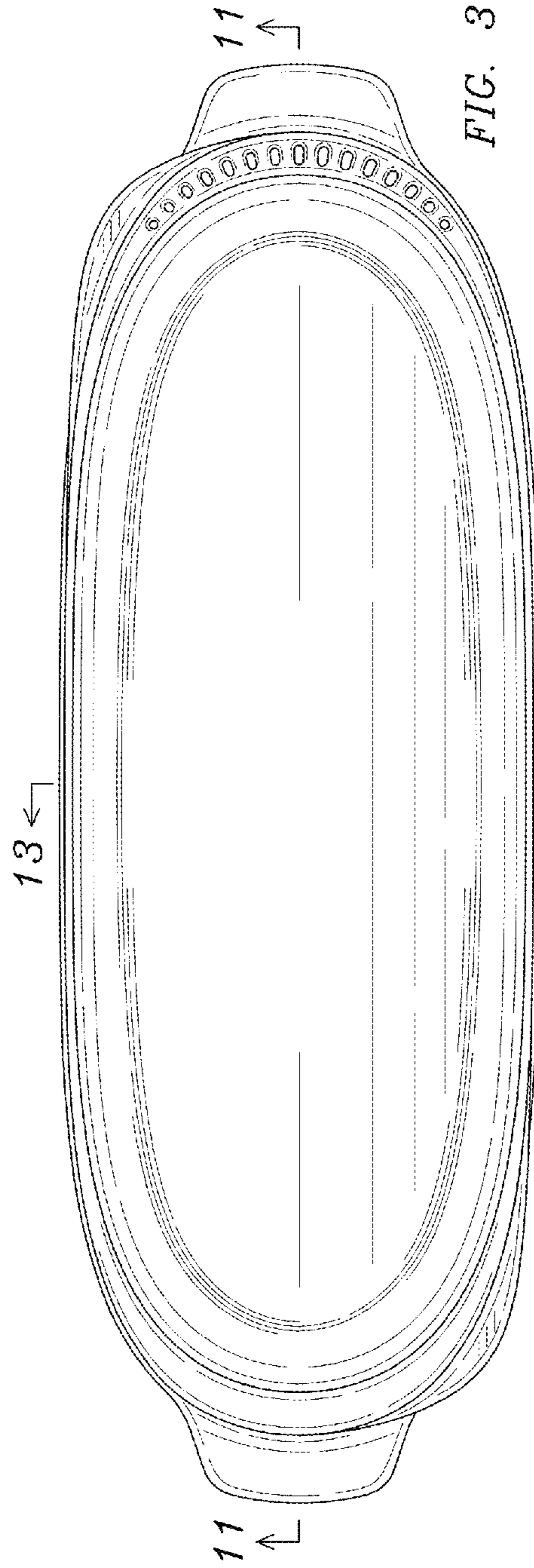


FIG. 3

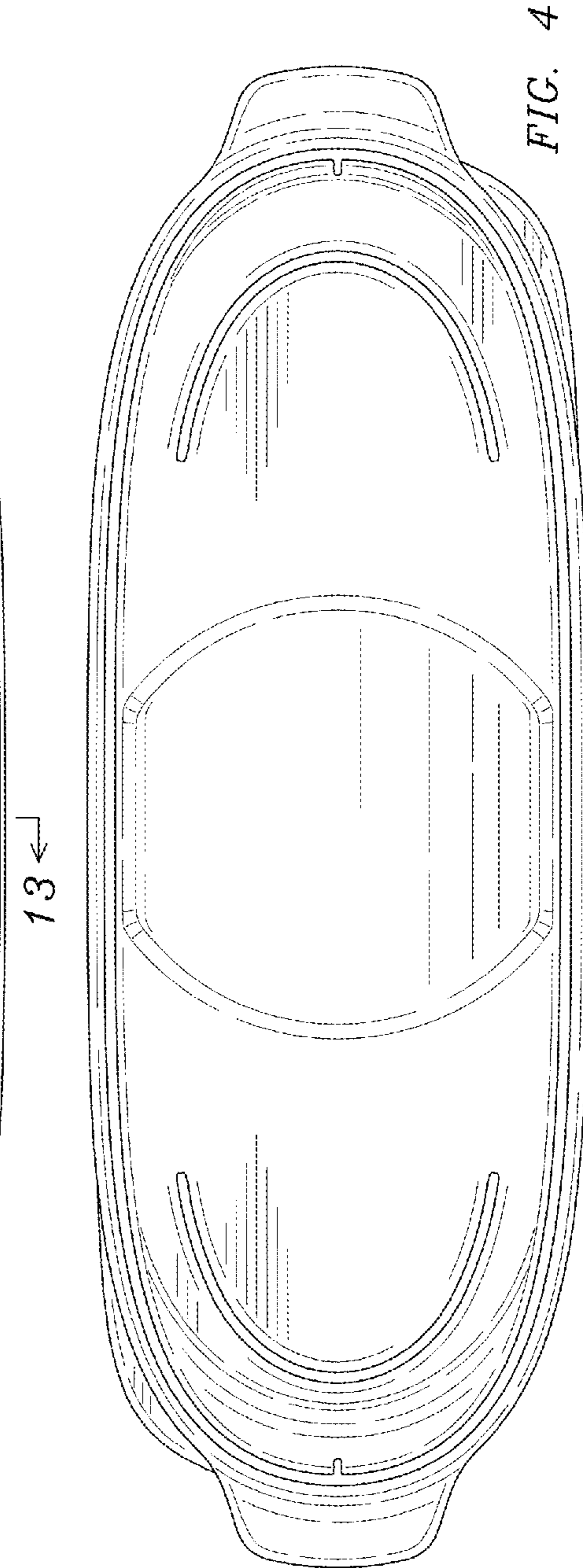


FIG. 4

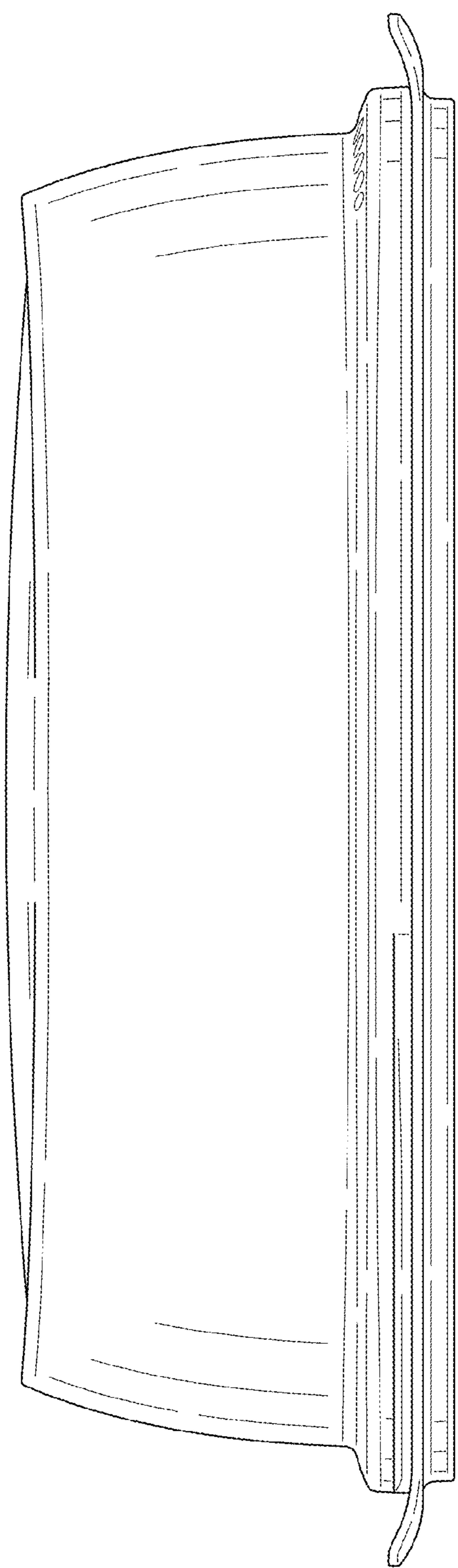


FIG. 5

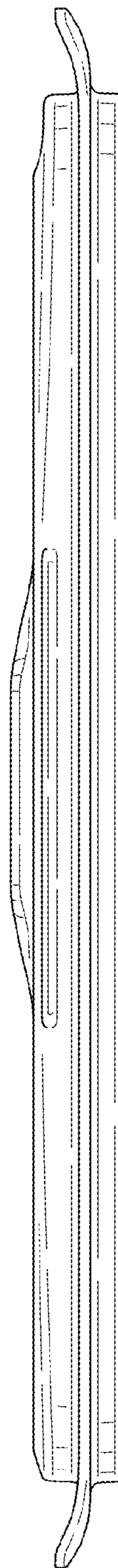


FIG. 8

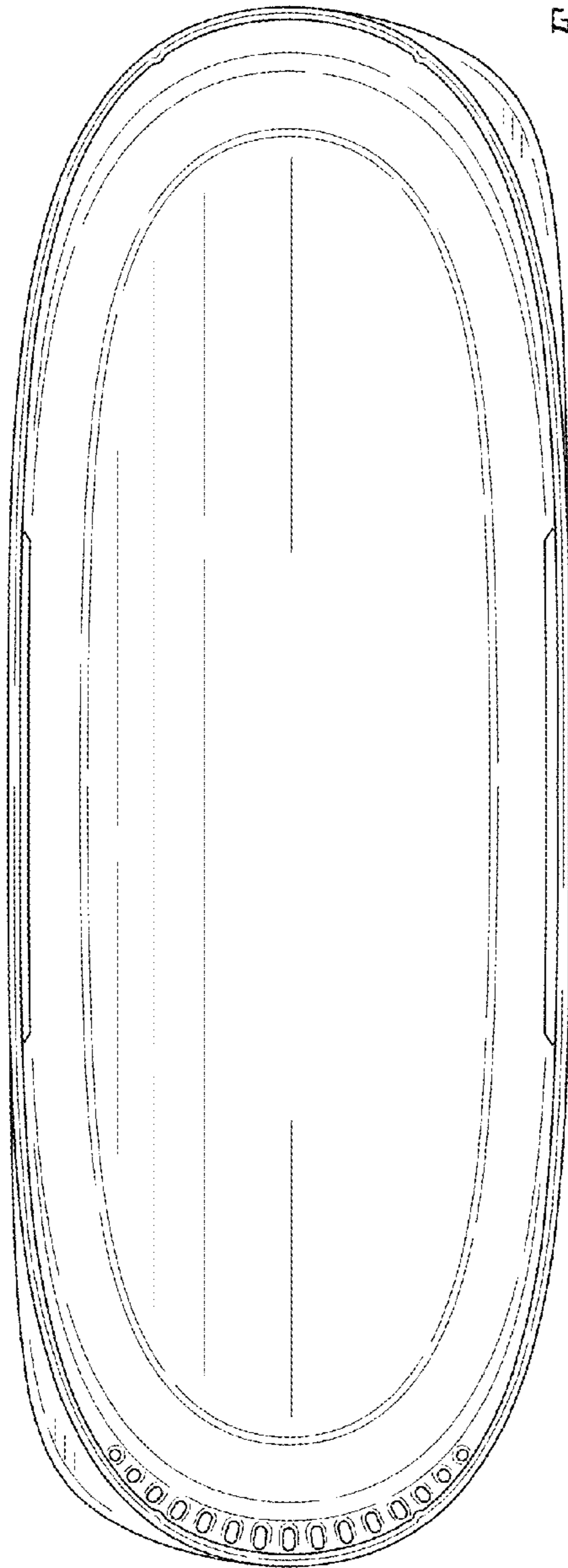


FIG. 9

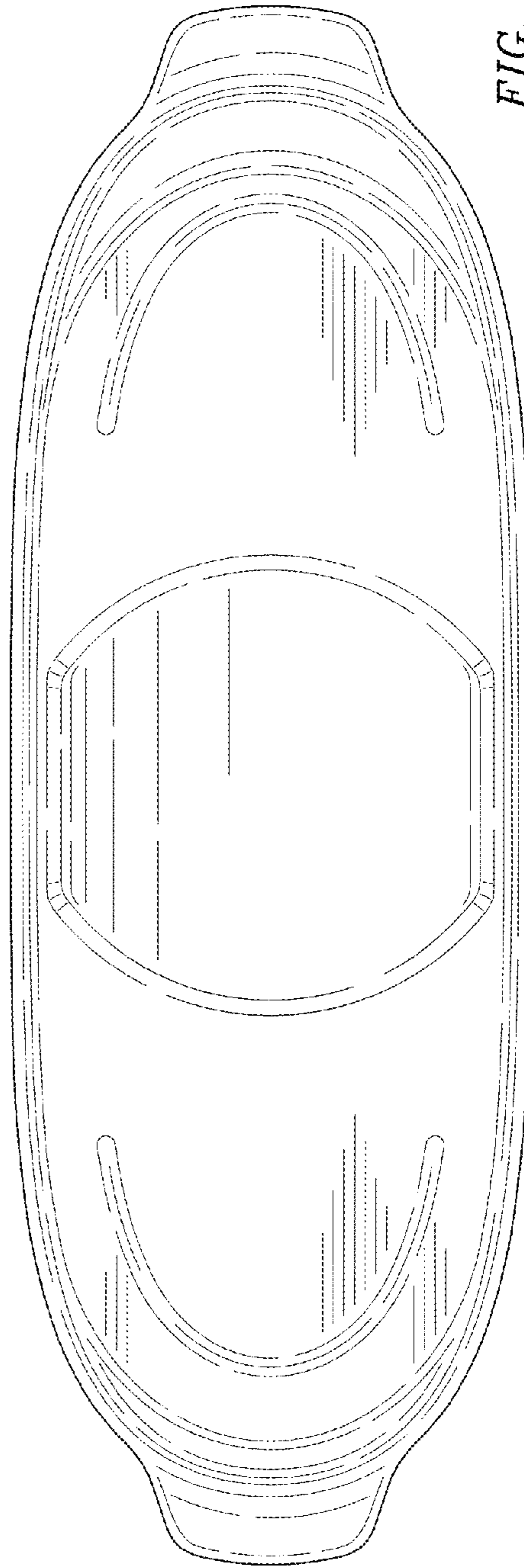


FIG. 10

FIG. 11

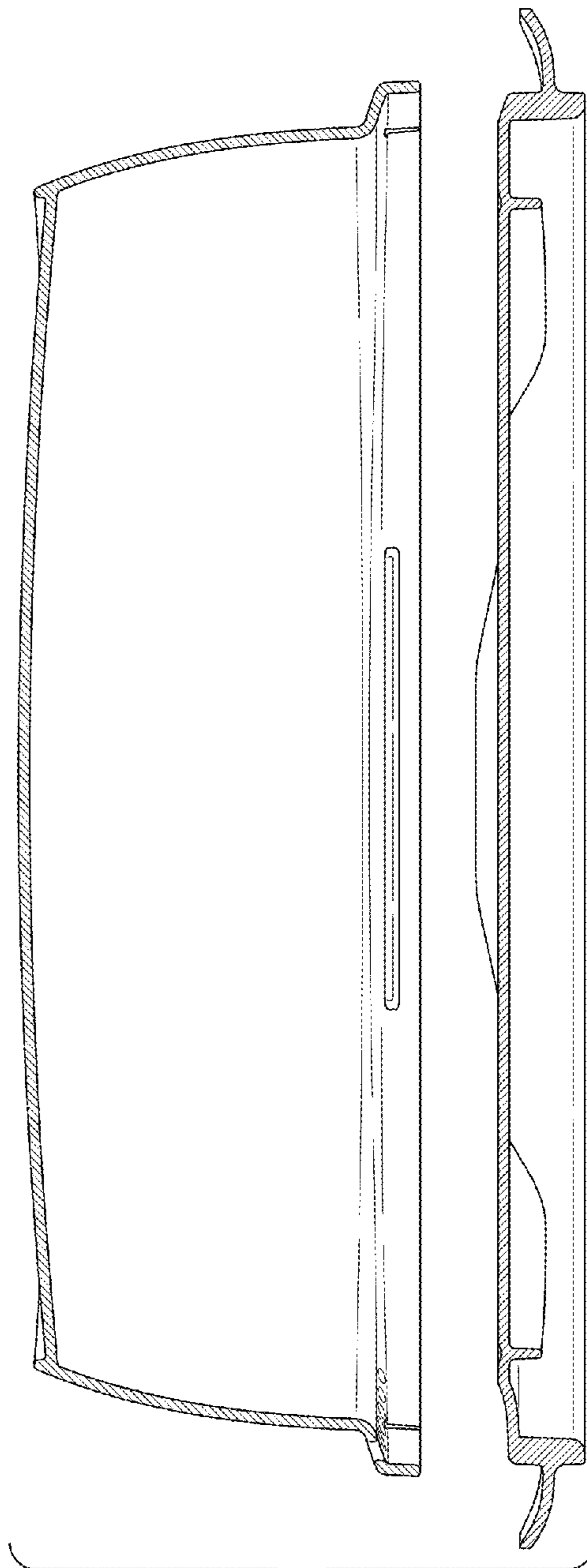
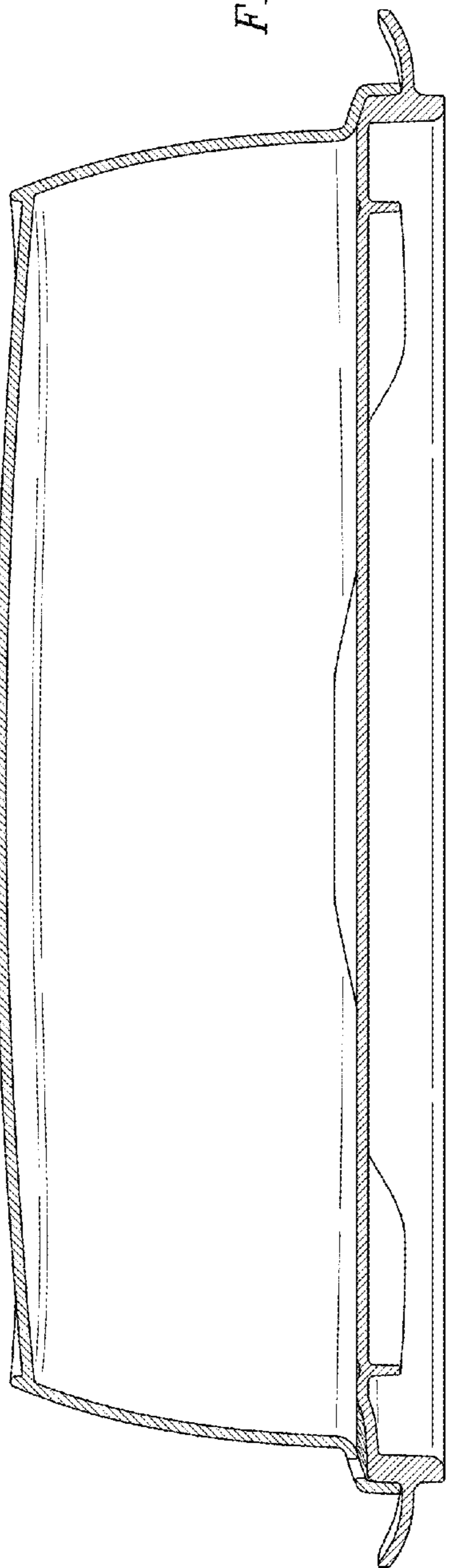


FIG. 12

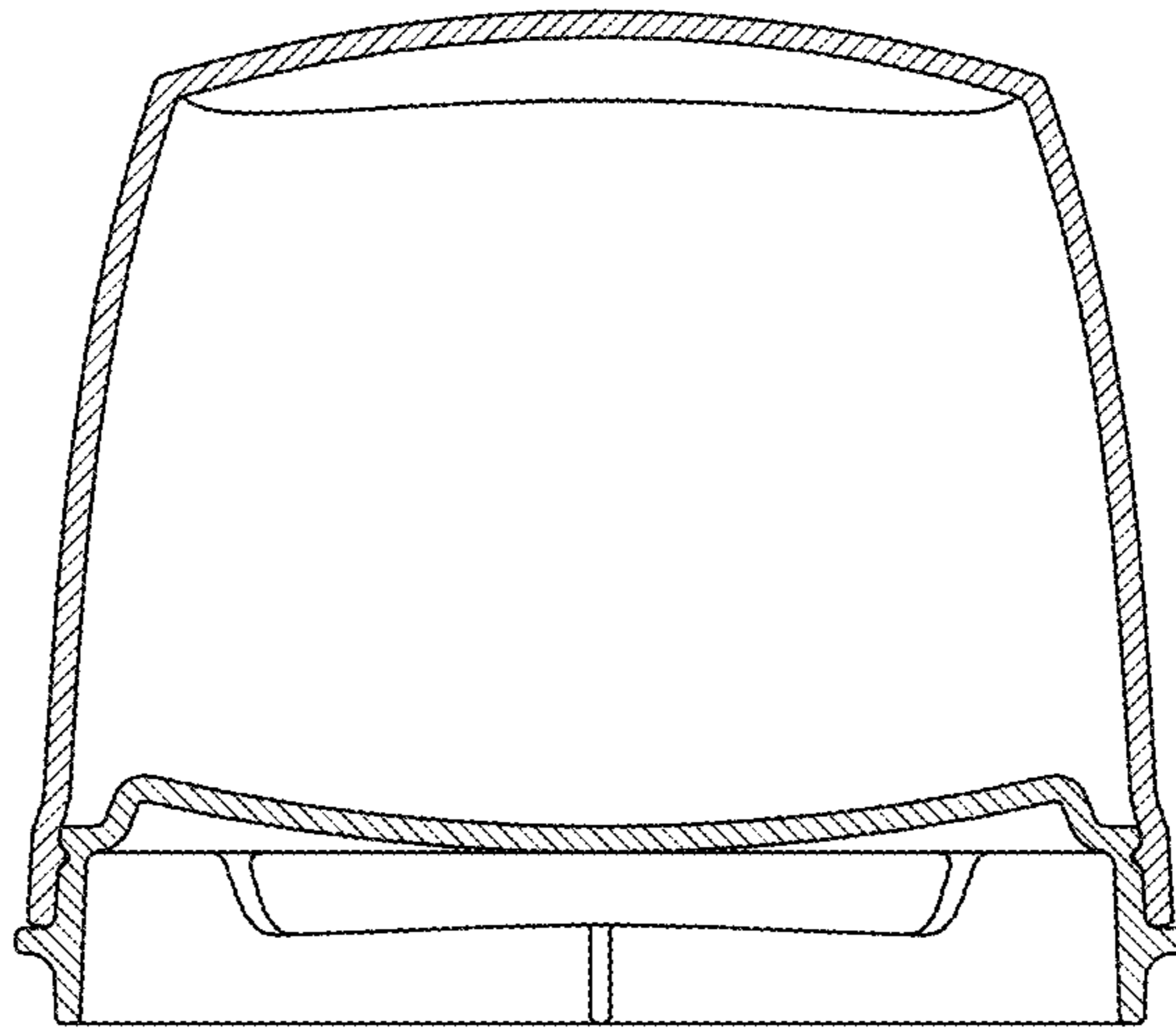


FIG. 13

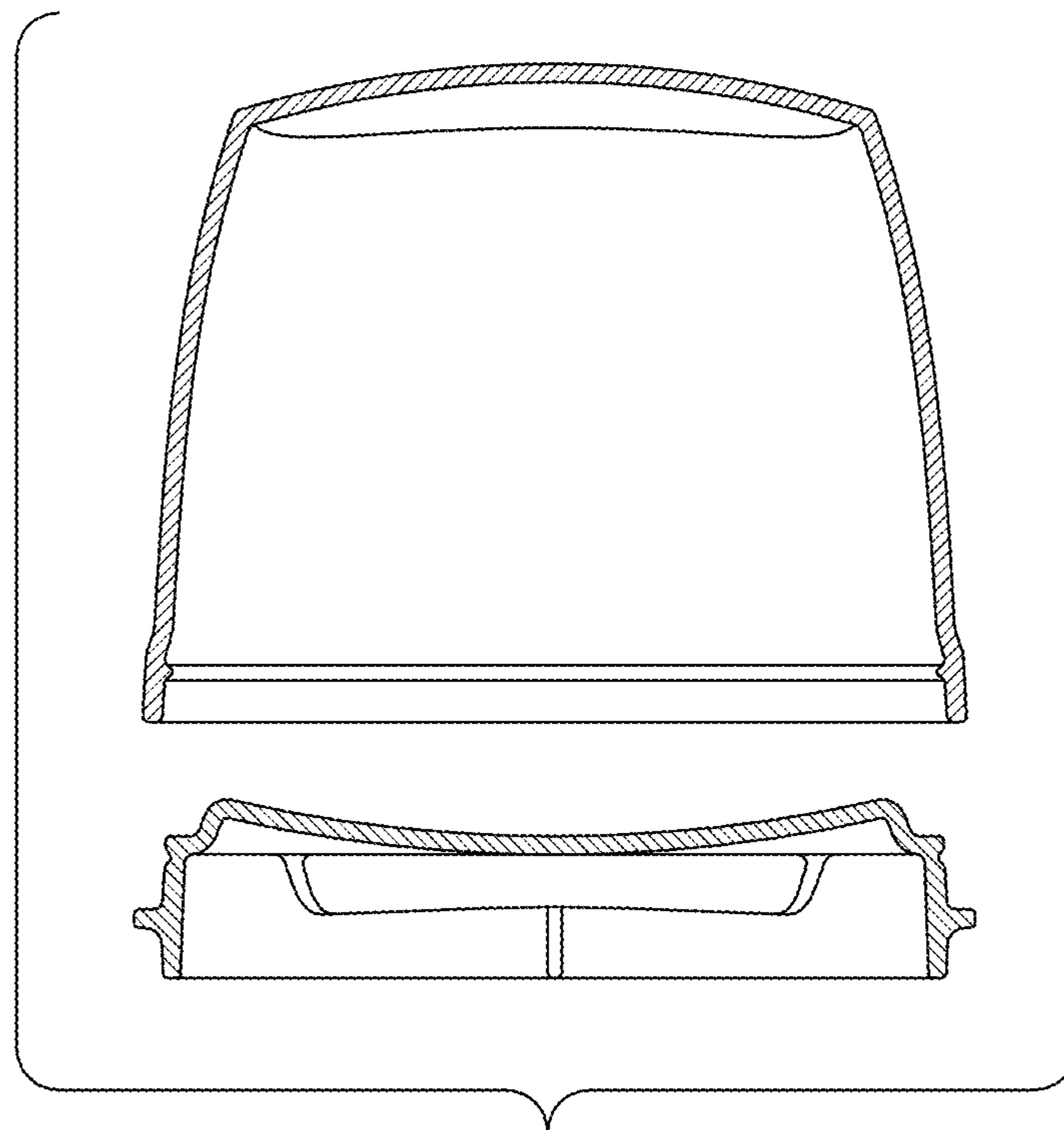


FIG. 14