



US00D743742S

(12) **United States Design Patent**
Rummel et al.

(10) **Patent No.:** **US D743,742 S**

(45) **Date of Patent:** **** Nov. 24, 2015**

(54) **DRINKING BOTTLE**

(75) Inventors: **Christian Rummel**, Benningen (DE);
Tim Storti, Schweiberdingen (DE)

(73) Assignee: **BRITA GMBH**, Taunusstein (DE)

(**) Term: **14 Years**

(21) Appl. No.: **29/425,945**

(22) Filed: **Jun. 28, 2012**

(30) **Foreign Application Priority Data**

Jan. 2, 2012 (DE) 40 2012 100 001

(51) **LOC (10) Cl.** **07-01**

(52) **U.S. Cl.**
USPC **D7/511**

(58) **Field of Classification Search**
USPC D7/505, 507, 509, 511, 523, 531, 537,
D7/524, 526, 532; D9/446-449, 500,
D9/502-505, 529, 551, 558, 564, 723-727,
D9/900; 220/703, 705, 710-711, 713-715,
220/592.17

CPC A47G 19/2205; A47G 2019/2294;
A47G 19/23; A47G 19/2272

See application file for complete search history.

(56) **References Cited**

U.S. PATENT DOCUMENTS

2,764,199 A * 9/1956 Tupper 220/254.3
3,059,816 A * 10/1962 Goldstein 222/109
4,047,648 A * 9/1977 Croyle 222/498
4,177,905 A 12/1979 Winchell et al.
4,244,495 A 1/1981 Lorscheid et al.
D261,230 S 10/1981 Bird
4,312,754 A 1/1982 LaFontaine
D266,311 S * 9/1982 Mattheis D9/446
4,366,913 A 1/1983 Winchell et al.
D274,209 S 6/1984 Kikuchi

4,477,347 A 10/1984 Sylva
4,482,068 A 11/1984 Agbay et al.
D278,121 S * 3/1985 Sussman D9/504
4,569,438 A 2/1986 Sheffler
4,764,274 A 8/1988 Miller
D310,781 S 9/1990 Scott, III
4,986,901 A 1/1991 Nohren, Jr. et al.
5,009,388 A 4/1991 Pei-gi et al.
5,083,671 A * 1/1992 Hayes 215/245
D331,629 S 12/1992 Stewart
5,186,830 A 2/1993 Rait
5,305,900 A 4/1994 Maguire et al.

(Continued)

FOREIGN PATENT DOCUMENTS

AU 94542 1/1987
AU 98197 10/1987

(Continued)

Primary Examiner — Ian Simmons

Assistant Examiner — Rashida C McCoy

(74) *Attorney, Agent, or Firm* — Hudak, Shunk & Farine Co.
LPA

(57) **CLAIM**

The ornamental design for a “drinking bottle,” as shown and described.

DESCRIPTION

FIG. 1 is a front view of the drinking bottle, wherein the top has a cover shown in an opened position exposing a drinking spout;

FIG. 2 is a rear view of the drinking bottle;

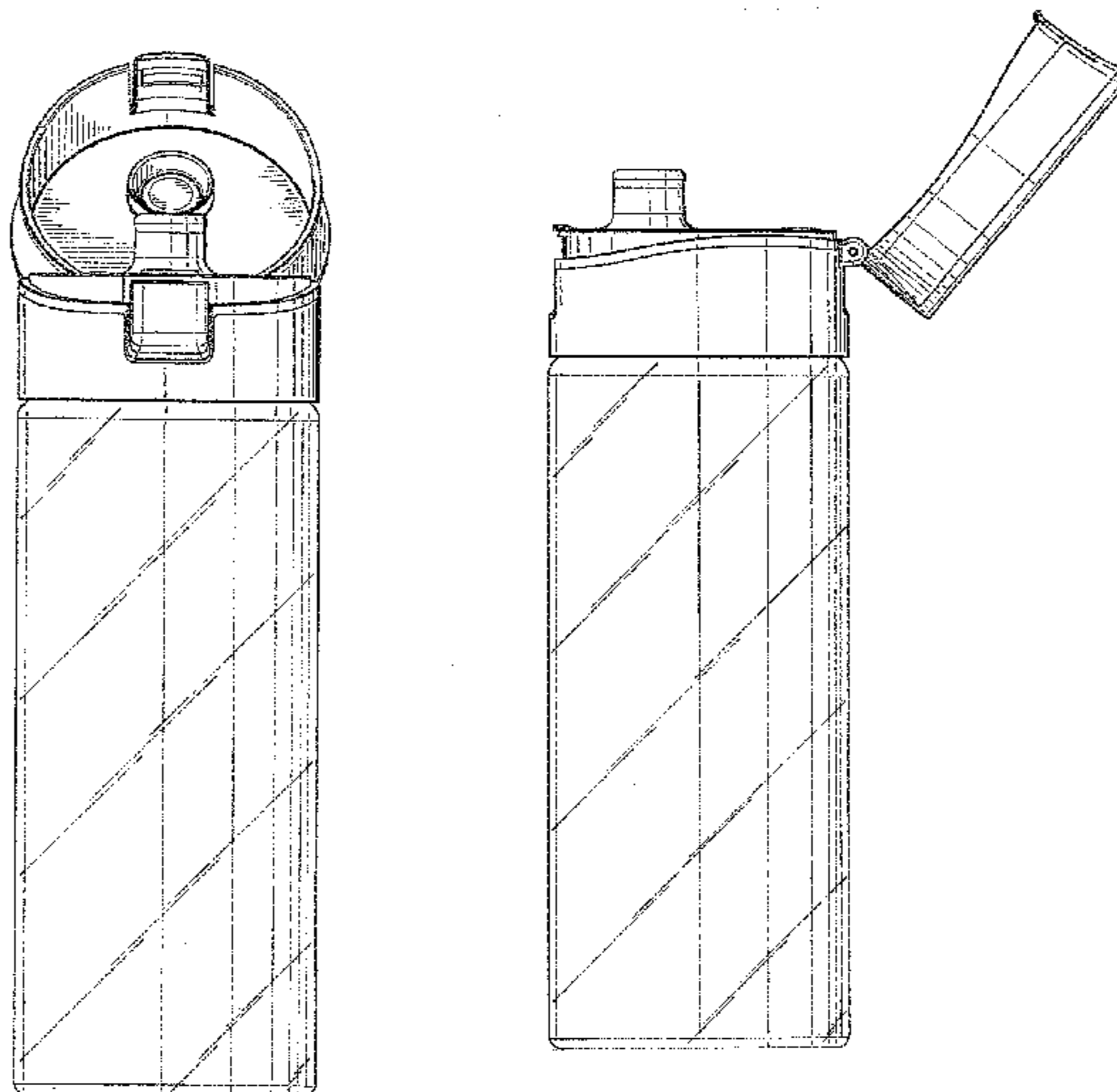
FIG. 3 is a right side view, the opposite side view being a mirror image thereof;

FIG. 4 is a top view of the drinking bottle;

FIG. 5 is a bottom view of the drinking bottle; and,

FIG. 6 is a right front perspective view of the drinking bottle. The broken lines in the drawings represent unclaimed subject matter and form no part of the claim.

1 Claim, 3 Drawing Sheets



(56)

References Cited

U.S. PATENT DOCUMENTS

D351,337 S * 10/1994 Bonnema et al. D9/690
 5,356,017 A 10/1994 Rohr et al.
 5,400,912 A 3/1995 Brown et al.
 D360,576 S * 7/1995 Bech D9/550
 D364,071 S 11/1995 Lynd
 D371,048 S 6/1996 Green
 5,545,315 A 8/1996 Lonneman
 D373,928 S 9/1996 Green
 5,582,314 A 12/1996 Quinn et al.
 5,733,448 A 3/1998 Kaura
 5,810,212 A 9/1998 Santagiuliana
 5,875,907 A 3/1999 Lay
 5,914,045 A 6/1999 Palmer et al.
 5,928,512 A 7/1999 Hatch et al.
 5,992,668 A * 11/1999 Elliott 220/278
 D417,590 S 12/1999 Kato
 6,004,460 A 12/1999 Palmer et al.
 D423,300 S 4/2000 Matsuyama et al.
 D424,422 S * 5/2000 Landhed D9/521
 D427,909 S * 7/2000 Doritty et al. D9/500
 6,116,477 A 9/2000 Kreiseder et al.
 6,117,319 A 9/2000 Cranshaw
 6,395,170 B1 5/2002 Hughes et al.
 6,523,711 B1 2/2003 Hughes et al.
 6,565,743 B1 5/2003 Poirier et al.
 D486,399 S 2/2004 Bakic
 D510,235 S 10/2005 Sorensen
 D522,367 S 6/2006 Bakic
 7,080,754 B2 7/2006 Lown
 7,090,089 B2 8/2006 Lown et al.
 D528,862 S 9/2006 Li
 D537,721 S * 3/2007 Kertels D9/504
 D541,106 S 4/2007 Spiegel
 D541,169 S 4/2007 Ball et al.
 D547,610 S 7/2007 Edelstein et al.
 D548,522 S 8/2007 Greenspon
 D557,560 S 12/2007 Wahl
 D564,841 S 3/2008 Clemens et al.
 D565,901 S 4/2008 Edelstein et al.
 D580,227 S 11/2008 Roth et al.
 D586,183 S 2/2009 Junkel
 D590,661 S 4/2009 Kitamura et al.
 D592,012 S 5/2009 Carreno
 D596,460 S 7/2009 Nezu
 7,611,024 B2 11/2009 Yamanaka et al.
 D608,147 S 1/2010 Sykes
 D609,969 S 2/2010 McKinney
 7,661,384 B2 2/2010 Mataya
 D611,765 S * 3/2010 George D7/510
 D614,033 S 4/2010 Hassamanci
 D627,604 S * 11/2010 Eyal D7/510
 D628,857 S 12/2010 Tatsakawa
 D629,252 S * 12/2010 Alviar et al. D7/510
 D629,644 S 12/2010 Zhuang et al.
 D639,166 S * 6/2011 Carreno D9/504
 D639,660 S 6/2011 Carreno
 D639,661 S 6/2011 Llerena
 D639,663 S 6/2011 Llerena
 D641,591 S 7/2011 Tsukida
 D641,639 S 7/2011 Kraff
 D641,640 S 7/2011 Kraff
 7,975,883 B2 7/2011 Laib et al.
 D642,436 S 8/2011 Schofield et al.
 D642,865 S 8/2011 Schofield et al.
 D644,065 S 8/2011 Llerena
 D648,984 S 11/2011 Gullickson et al.
 D649,879 S 12/2011 Gullickson et al.
 D649,881 S 12/2011 Rinderer et al.
 D656,823 S * 4/2012 Kriegel D9/503
 D671,787 S * 12/2012 Lin D7/300.1
 2002/0121454 A1 9/2002 Ross
 2005/0252875 A1 11/2005 Sheu et al.
 2006/0011573 A1 1/2006 Herald et al.
 2007/0051723 A1 3/2007 Naesje
 2007/0102390 A1 * 5/2007 Hoepner et al. 215/235

2008/0067120 A1 3/2008 Chatrath
 2008/0308575 A1 12/2008 Naesje
 2009/0101619 A1 4/2009 Cano-Pey et al.
 2009/0120899 A1 5/2009 Stull, Sr. et al.
 2009/0159552 A1 6/2009 Cano-Pey et al.
 2009/0178971 A1 7/2009 Farrelly et al.
 2009/0236339 A1 9/2009 Blomdahl
 2009/0242589 A1 10/2009 Berthelin et al.
 2010/0032454 A1 2/2010 Moribata et al.
 2010/0127021 A1 5/2010 Schantz et al.
 2010/0170910 A1 7/2010 Ludewigs et al.
 2010/0219151 A1 9/2010 Risheq

FOREIGN PATENT DOCUMENTS

AU 100652 6/1988
 AU 115831 12/1992
 AU 122286 12/1994
 AU 129091 1/1997
 AU 151587 4/2003
 AU 155684 6/2004
 AU 157619 2/2005
 AU 157620 2/2005
 AU 321567 10/2008
 AU 321568 10/2008
 AU 321569 10/2008
 AU 323676 1/2009
 AU 324970 2/2009
 AU 327799 9/2009
 AU 327800 9/2009
 AU 328014 10/2009
 AU 329068 12/2009
 AU 330049 3/2010
 AU 330051 3/2010
 AU 333528 11/2010
 AU 333547 11/2010
 AU 334040 12/2010
 CA 8633 3/1930
 CA 32132 2/1970
 CA 49527 4/1982
 CA 62694 3/1989
 CA 69148 8/1991
 CA 2043865 A1 12/1991
 CA 82309 11/1997
 CA 82310 11/1997
 CA 92924 7/2001
 CA 102185 2/2004
 CA 102311 7/2004
 CA 104460 10/2004
 CA 100173 2/2005
 CA 108036 2/2005
 CA 2610734 A1 12/2006
 CA 117069 1/2008
 CA 114388 6/2008
 CA 126775 2/2009
 CA 139152 9/2011
 CA 141185 9/2011
 CH 684639 A5 11/1994
 CH 686244 AS 2/1996
 DE 7437846 U 5/1975
 DE 2828065 10/1980
 DE 3312915 A1 10/1984
 DE 8809780 U1 3/1989
 DE M8904462 10/1990
 DE M9203720 10/1992
 DE 9302022 U1 7/1994
 DE M9601627 10/1996
 DE 29611746 U1 12/1997
 DE M9711448 7/1998
 DE 29800365 U1 6/1999
 DE MR49905500 11/1999
 DE MR49912013-0001 4/2000
 DE MR49912013-0002 4/2000
 DE MR49912013-0003 4/2000
 DE MR49912013-0004 4/2000
 DE MR49912013-0005 4/2000
 DE MR49912013-0006 4/2000
 DE MR49912013-0007 4/2000
 DE MR49912013-0008 4/2000

(56)

References Cited

| FOREIGN PATENT DOCUMENTS | | | | | |
|--------------------------|-------------------|---------|----|-------------------|---------|
| DE | MR49912013-0009 | 4/2000 | DE | 402010005004-0007 | 4/2011 |
| DE | MR49912013-0010 | 4/2000 | DE | 402010005005-0001 | 4/2011 |
| DE | MR49912013-0011 | 4/2000 | DE | 402010005005-0002 | 4/2011 |
| DE | MR49912013-0012 | 4/2000 | DE | 402010005005-0003 | 4/2011 |
| DE | MR49912013-0013 | 4/2000 | DE | 402010005005-0004 | 4/2011 |
| DE | MR49912013-0014 | 4/2000 | DE | 402010005005-0005 | 4/2011 |
| DE | MR49912013-0015 | 4/2000 | DE | 402010005005-0006 | 4/2011 |
| DE | MR49912013-0016 | 4/2000 | DE | 402010005005-0007 | 4/2011 |
| DE | MR49912013-0017 | 4/2000 | DE | 402010005005-0008 | 4/2011 |
| DE | MR49912013-0018 | 4/2000 | DE | 402010006062-0001 | 4/2011 |
| DE | MR49912013-0019 | 4/2000 | DE | 402010006062-0002 | 4/2011 |
| DE | MR40100149 | 6/2001 | DE | 402010006062-0003 | 4/2011 |
| DE | 200/9294 U1 | 5/2002 | DE | 402010006062-0004 | 4/2011 |
| DE | 20021705 U1 | 6/2002 | DE | 402011000078-0001 | 6/2011 |
| DE | MR40203469 | 10/2002 | DE | 402011000078-0002 | 6/2011 |
| DE | MR40203470 | 10/2002 | DE | 402011000078-0003 | 6/2011 |
| DE | MR40205562 | 11/2002 | DE | 402011000078-0004 | 6/2011 |
| DE | 20118537 U1 | 1/2003 | DE | 402011000078-0005 | 6/2011 |
| DE | MR40302026-0001 | 6/2003 | DE | 402011000078-0006 | 6/2011 |
| DE | MR40302026-0002 | 6/2003 | DE | 402011000078-0007 | 6/2011 |
| DE | MR40302026-0003 | 6/2003 | DE | 402011000820-0001 | 6/2011 |
| DE | MR40302026-0004 | 6/2003 | DE | 402011000820-0002 | 6/2011 |
| DE | MR40302026-0005 | 6/2003 | DE | 402011000820-0003 | 6/2011 |
| DE | MR40302026-0006 | 6/2003 | DE | 402011000820-0004 | 6/2011 |
| DE | MR40302051-0001 | 8/2003 | DE | 402011001099-0001 | 9/2011 |
| DE | MR40302051-0002 | 8/2003 | DE | 402011001099-0002 | 9/2011 |
| DE | MR40305503 | 12/2003 | DE | 402011001099-0003 | 9/2011 |
| DE | MR40404779-0001 | 1/2005 | DE | 402011001099-0004 | 9/2011 |
| DE | MR40404779-0002 | 1/2005 | DE | 402011001099-0005 | 9/2011 |
| DE | MR40404779-0003 | 1/2005 | DE | 402011001099-0006 | 9/2011 |
| DE | MR40404779-0004 | 1/2005 | DE | 402011001099-0007 | 9/2011 |
| DE | 202004012622 U1 | 1/2006 | DE | 402011001099-0008 | 9/2011 |
| DE | MR40602435 | 11/2006 | DE | 402011001099-0009 | 9/2011 |
| DE | 202006016400 U1 | 3/2007 | DE | 402011001099-0010 | 9/2011 |
| DE | 202006017689 U1 | 4/2007 | DE | 402011001099-0011 | 9/2011 |
| DE | 202007002159 U1 | 7/2007 | DE | 402011001099-0012 | 9/2011 |
| DE | 202008006443 U1 | 10/2008 | DE | 402011001099-0013 | 9/2011 |
| DE | 102007037766 A1 | 2/2009 | DE | 402011001099-0014 | 9/2011 |
| DE | 402008006117-0001 | 8/2009 | DE | 402011001099-0015 | 9/2011 |
| DE | 402008006117-0002 | 8/2009 | DE | 402011001099-0016 | 9/2011 |
| DE | 202008004030 U1 | 9/2009 | DE | 402011001099-0017 | 9/2011 |
| DE | 102009000359 A1 | 10/2009 | DE | 402011001099-0018 | 9/2011 |
| DE | 402009006351 | 3/2010 | DE | 402011001099-0019 | 9/2011 |
| DE | 202010004206 U1 | 9/2010 | EM | 000000864-0004 | 4/2003 |
| DE | 202010007786 U1 | 11/2010 | EM | 000128483-0005 | 4/2004 |
| DE | 402010004197-0001 | 12/2010 | EM | 000378625-0012 | 9/2005 |
| DE | 402010004197-0002 | 12/2010 | EM | 000379086-0001 | 9/2005 |
| DE | 402010004197-0003 | 12/2010 | EM | 000379086-0002 | 9/2005 |
| DE | 402010004197-0004 | 12/2010 | EM | 000543103-0001 | 7/2006 |
| DE | 402010004197-0005 | 12/2010 | EM | 000552641-0001 | 8/2006 |
| DE | 402010004197-0006 | 12/2010 | EM | 000797188-0001 | 10/2007 |
| DE | 402010004197-0007 | 12/2010 | EM | 000934708-0001 | 6/2008 |
| DE | 402010004197-0008 | 12/2010 | EM | 001029631-0001 | 11/2008 |
| DE | 402010004197-0009 | 12/2010 | EM | 001087357-0001 | 3/2009 |
| DE | 402010004197-0010 | 12/2010 | EM | 001143176-0001 | 6/2009 |
| DE | 402010004197-0011 | 12/2010 | EM | 0016050230001 | 9/2009 |
| DE | 402010004197-0012 | 12/2010 | EM | 0016247430001 | 10/2009 |
| DE | 402010004197-0013 | 12/2010 | EM | 0016257240001 | 10/2009 |
| DE | 402010004197-0014 | 12/2010 | EM | 001173678-0001 | 12/2009 |
| DE | 402010004197-0015 | 12/2010 | EM | 0016452760003 | 12/2009 |
| DE | 402010004776-0001 | 1/2011 | EM | 001181440-0003 | 1/2010 |
| DE | 402010004776-0002 | 1/2011 | EM | 0016636750001 | 2/2010 |
| DE | 402010004776-0003 | 1/2011 | EM | 001201412-0003 | 4/2010 |
| DE | 402010004776-0004 | 1/2011 | EM | 0016798610001 | 5/2010 |
| DE | 402010004776-0005 | 1/2011 | EM | 0017085460001 | 6/2010 |
| DE | 402010004776-0006 | 1/2011 | EM | 0017085460002 | 6/2010 |
| DE | 402010004776-0007 | 1/2011 | EM | 0017185520001 | 6/2010 |
| DE | 402010004776-0008 | 1/2011 | EM | 0017185520002 | 6/2010 |
| DE | 402010004776-0009 | 1/2011 | EM | 001221501-0001 | 7/2010 |
| DE | 402010005004-0001 | 4/2011 | EM | 001221501-0002 | 7/2010 |
| DE | 402010005004-0002 | 4/2011 | EM | 0017094940002 | 7/2010 |
| DE | 402010005004-0003 | 4/2011 | EM | 0017998590001 | 2/2011 |
| DE | 402010005004-0004 | 4/2011 | EM | 0012645270001 | 5/2011 |
| DE | 402010005004-0005 | 4/2011 | EM | 0012645270002 | 5/2011 |
| DE | 402010005004-0006 | 4/2011 | EM | 0012645270003 | 5/2011 |
| | | | EM | 0012645270004 | 5/2011 |
| | | | EM | 0012645270005 | 5/2011 |
| | | | EM | 0012645270006 | 5/2011 |
| | | | EM | 0012645270007 | 5/2011 |

(56)

References Cited

FOREIGN PATENT DOCUMENTS

| | | |
|----|---------------|---------|
| EM | 0018668560001 | 5/2011 |
| EM | 0018668560002 | 5/2011 |
| EM | 0018985290003 | 8/2011 |
| EM | 0019073120001 | 8/2011 |
| EM | 0012866520001 | 9/2011 |
| EM | 0012866520002 | 9/2011 |
| EM | 0012866520003 | 9/2011 |
| EM | 0012866520004 | 9/2011 |
| EM | 0019226750001 | 10/2011 |
| EM | 0012910740001 | 11/2011 |
| EM | 0012910740002 | 11/2011 |
| EM | 0012910740003 | 11/2011 |
| EM | 0012910740004 | 11/2011 |
| EM | 0012910740005 | 11/2011 |
| EM | 0012910740006 | 11/2011 |
| EM | 0012910740007 | 11/2011 |
| EM | 0012910740008 | 11/2011 |
| EM | 0012910740009 | 11/2011 |
| EM | 0012910740010 | 11/2011 |
| EM | 0012910740011 | 11/2011 |
| EM | 0012910740012 | 11/2011 |
| EM | 0012910740013 | 11/2011 |
| EP | 1222873 A1 | 1/2001 |
| EP | 1281628 A2 | 2/2003 |
| EP | 1357049 A2 | 10/2003 |
| EP | 1502871 A2 | 2/2005 |
| EP | 2204333 A1 | 7/2010 |
| FR | 2711547 A1 | 5/1995 |
| FR | 991818-001 | 7/1999 |
| FR | 991866-001 | 7/1999 |
| FR | 006371-001 | 2/2001 |
| FR | 006372-001 | 2/2001 |
| FR | 010526-001 | 5/2001 |
| FR | 033072-007 | 9/2003 |
| FR | 033072-016 | 9/2003 |
| FR | 062699-001 | 12/2006 |
| FR | 065174-001 | 1/2007 |
| FR | 070967-001 | 4/2007 |
| GB | 1017449 | 5/1984 |
| GB | 1037482 | 1/1987 |
| GB | 1043899 | 4/1988 |
| GB | 1043900 | 9/1988 |
| GB | 1052793 | 1/1990 |
| GB | 2021359 | 3/1993 |
| GB | 2040527 | 11/1994 |
| GB | 2045365 | 6/1995 |
| GB | 2045703 | 6/1995 |
| GB | 2068153 | 8/1997 |
| GB | 2081180 | 7/1999 |

| | | |
|----|---------------|---------|
| GB | 20811814 | 7/1999 |
| GB | 2104930 | 12/2001 |
| GB | 2430667 A | 4/2007 |
| GB | 4006717 | 3/2008 |
| GB | 4008135 | 7/2008 |
| GB | 4008138 | 7/2008 |
| JP | 2002035740 A | 2/2002 |
| PL | 3035 | 11/2003 |
| PL | 3306 | 11/2003 |
| PL | 8309 | 8/2005 |
| PL | 9618 | 4/2006 |
| PL | 10438 | 10/2006 |
| PL | 12204 | 12/2007 |
| PL | 12966 | 8/2008 |
| PL | 12967 | 8/2008 |
| PL | 12968 | 8/2008 |
| WO | DM023370 | 7/1992 |
| WO | DM027561 | 10/1993 |
| WO | DM027570 | 10/1993 |
| WO | 9503227 A1 | 2/1995 |
| WO | DM036965 | 7/1996 |
| WO | 9812119 A1 | 3/1998 |
| WO | DM/046441 | 12/1998 |
| WO | DM/050347 | 3/1999 |
| WO | DM/049787 | 11/1999 |
| WO | DM/051446 | 2/2000 |
| WO | DM/051254 | 3/2000 |
| WO | 0037363 A1 | 6/2000 |
| WO | 0063121 A1 | 10/2000 |
| WO | 0071468 A1 | 11/2000 |
| WO | DM/057803 | 12/2000 |
| WO | 0123306 A1 | 4/2001 |
| WO | 0146029 A2 | 6/2001 |
| WO | DM/065795 | 8/2004 |
| WO | 2004113232 A2 | 12/2004 |
| WO | DM/066799 | 6/2005 |
| WO | 2005123526 A2 | 12/2005 |
| WO | 2006091357 A1 | 8/2006 |
| WO | 2007065240 A1 | 6/2007 |
| WO | DM/070008 | 4/2008 |
| WO | 2008060533 A2 | 5/2008 |
| WO | DM/072226 | 8/2009 |
| WO | 2009145847 A1 | 12/2009 |
| WO | 2010085367 A1 | 7/2010 |
| WO | 2010037994 A1 | 8/2010 |
| WO | DM/074624 | 10/2010 |
| WO | DM/074782 | 11/2010 |
| WO | DM/075375 | 2/2011 |
| WO | 2011050429 A1 | 5/2011 |
| WO | 2011067748 A1 | 6/2011 |

* cited by examiner

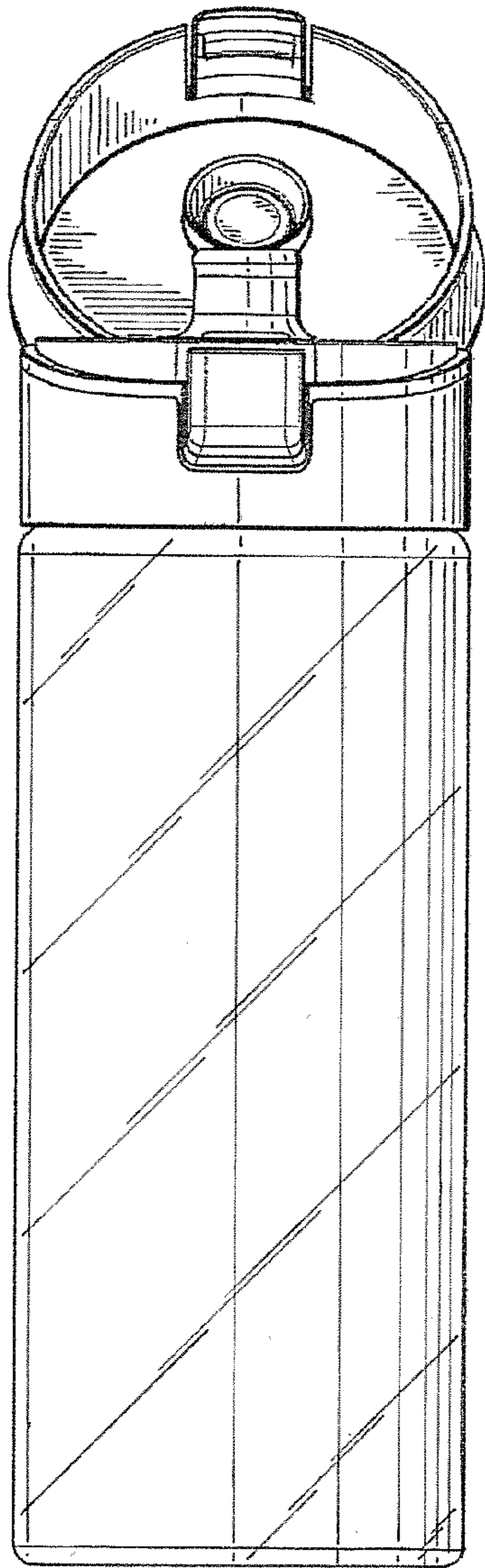


FIG. -1

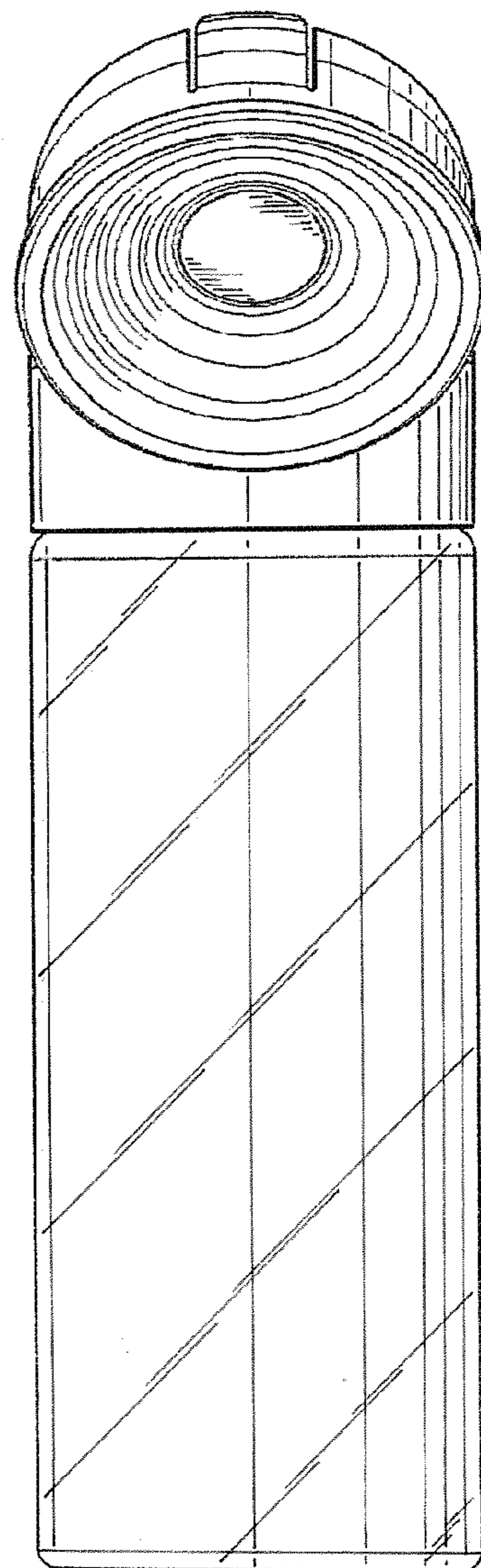


FIG. -2

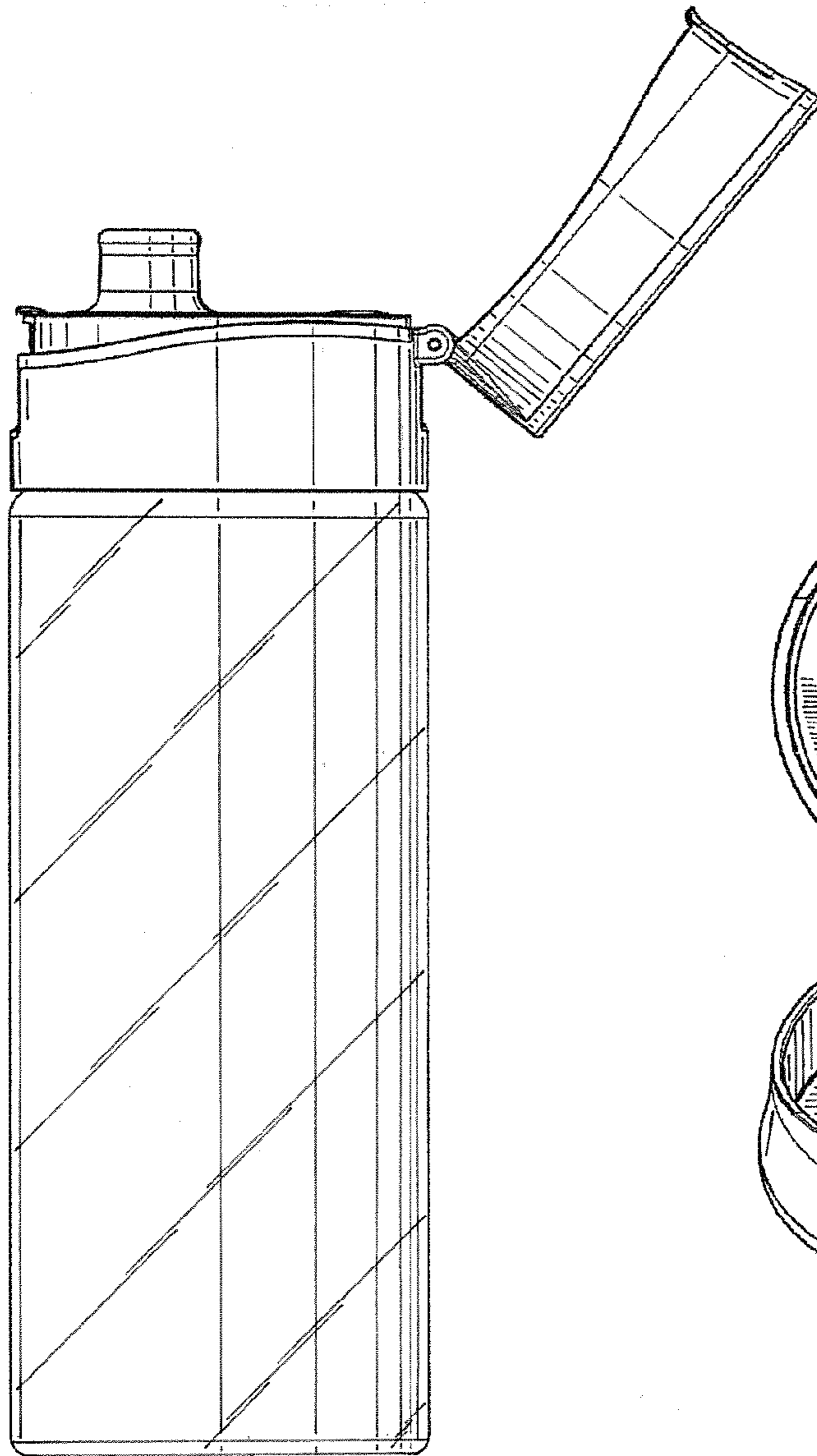


FIG.-3

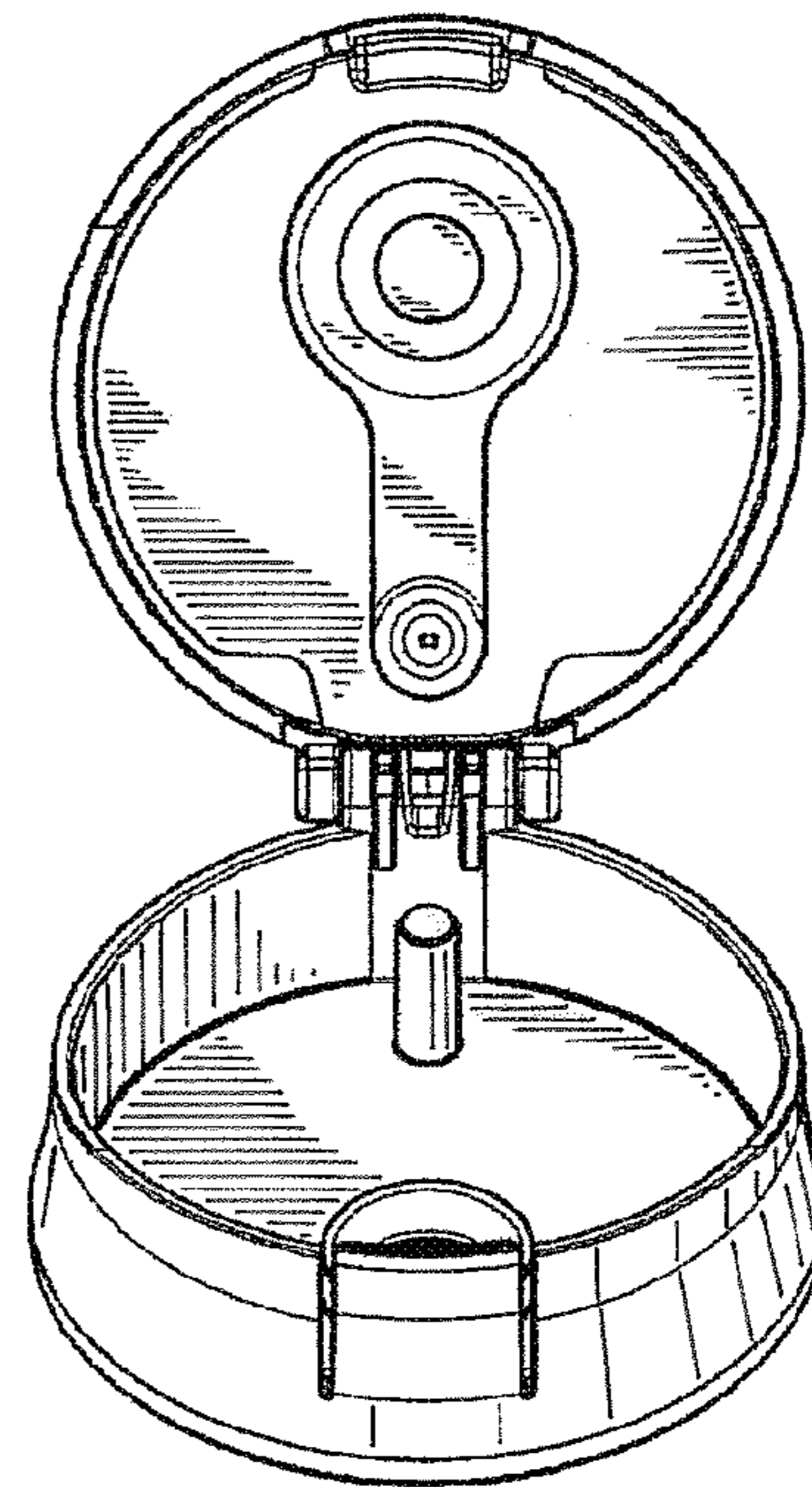


FIG.-4

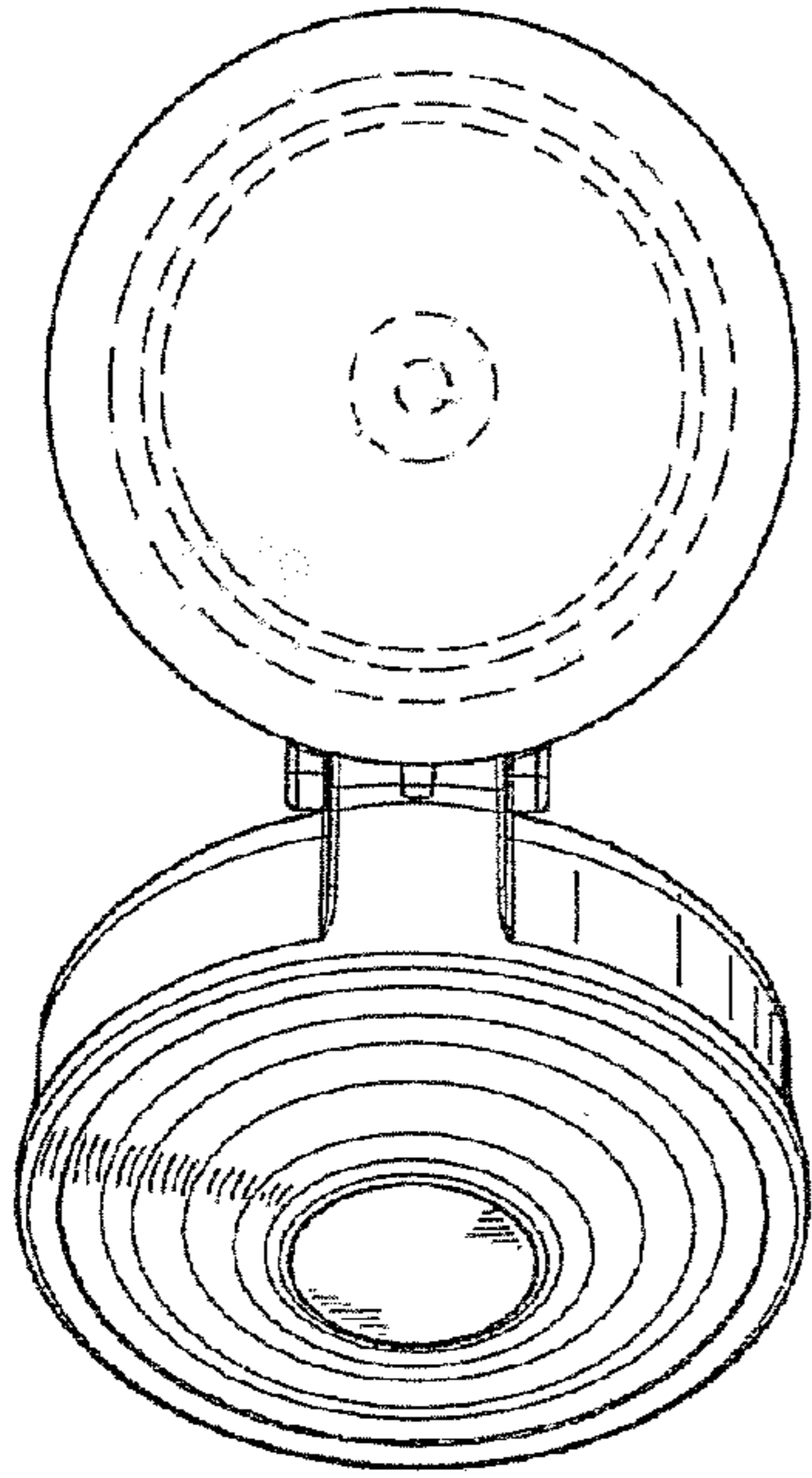


FIG. - 5

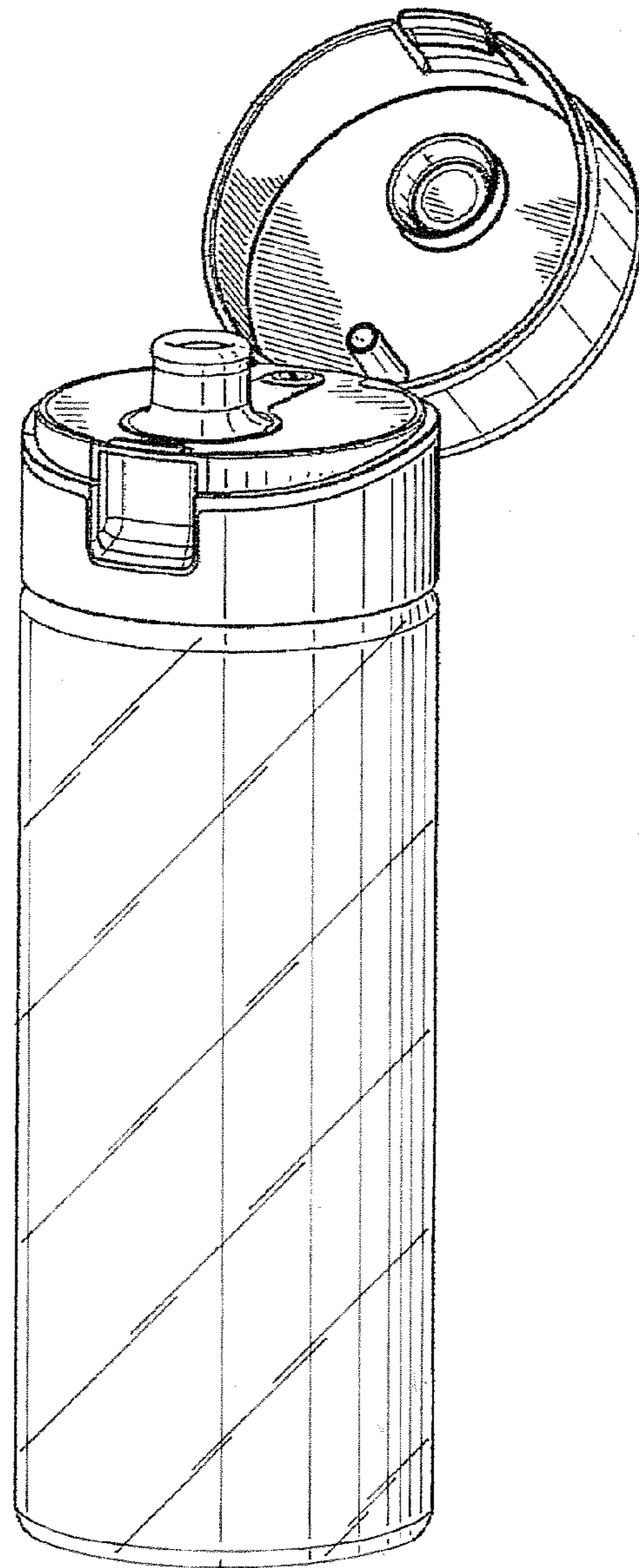


FIG. - 6