



US00D743740S

(12) **United States Design Patent**
Madsen et al.

(10) **Patent No.:** **US D743,740 S**

(45) **Date of Patent:** **** Nov. 24, 2015**

(54) **BUTTER DISH**

(71) Applicants: **Steven Madsen**, New York, NY (US);
Mario Turchi, Tenafly, NJ (US); **Noah Pentelovitch**, New York, NY (US); **Lua O'Brien**, New York, NY (US)

(72) Inventors: **Steven Madsen**, New York, NY (US);
Mario Turchi, Tenafly, NJ (US); **Noah Pentelovitch**, New York, NY (US); **Lua O'Brien**, New York, NY (US)

(73) Assignee: **HELEN OF TROY LIMITED**, St. Michael (BB)

(**) Term: **14 Years**

(21) Appl. No.: **29/496,204**

(22) Filed: **Jul. 10, 2014**

(51) **LOC (10) Cl.** **07-01**

(52) **U.S. Cl.**
USPC **D7/502**

(58) **Field of Classification Search**
USPC D7/502, 602, 629, 612-615, 538-542;
206/553, 525; 220/695, 799-806, 796,
220/592.2, 921
CPC A47G 19/26; A47G 19/265
See application file for complete search history.

(56) **References Cited**

U.S. PATENT DOCUMENTS

| | | | | | |
|--------------|------|---------|------------|-------|-------------------------|
| 2,120,826 | A * | 6/1938 | Young | | A47F 7/03 206/553 |
| D158,999 | S * | 6/1950 | Paul | | D7/502 |
| 3,563,404 | A * | 2/1971 | Barchus | | A47G 19/26 220/592.2 |
| 3,709,397 | A * | 1/1973 | Daenen | | A47G 19/26 220/796 |
| D261,214 | S * | 10/1981 | Oelzner | | D7/502 |
| D311,302 | S * | 10/1990 | Pozzi | | D7/502 |
| D372,641 | S * | 8/1996 | Betend-Bon | | D7/629 |
| D375,437 | S * | 11/1996 | Joergensen | | D7/502 |
| D391,809 | S * | 3/1998 | Jeppesen | | D7/502 |
| D592,049 | S * | 5/2009 | Doliwa | | D7/629 |
| D619,426 | S * | 7/2010 | Bodum | | D7/629 |
| D623,472 | S * | 9/2010 | Bodum | | D7/502 |
| 2004/0011216 | A1 * | 1/2004 | Jodrey | | A47G 19/26 99/348 |

* cited by examiner

Primary Examiner — Terry Wallace

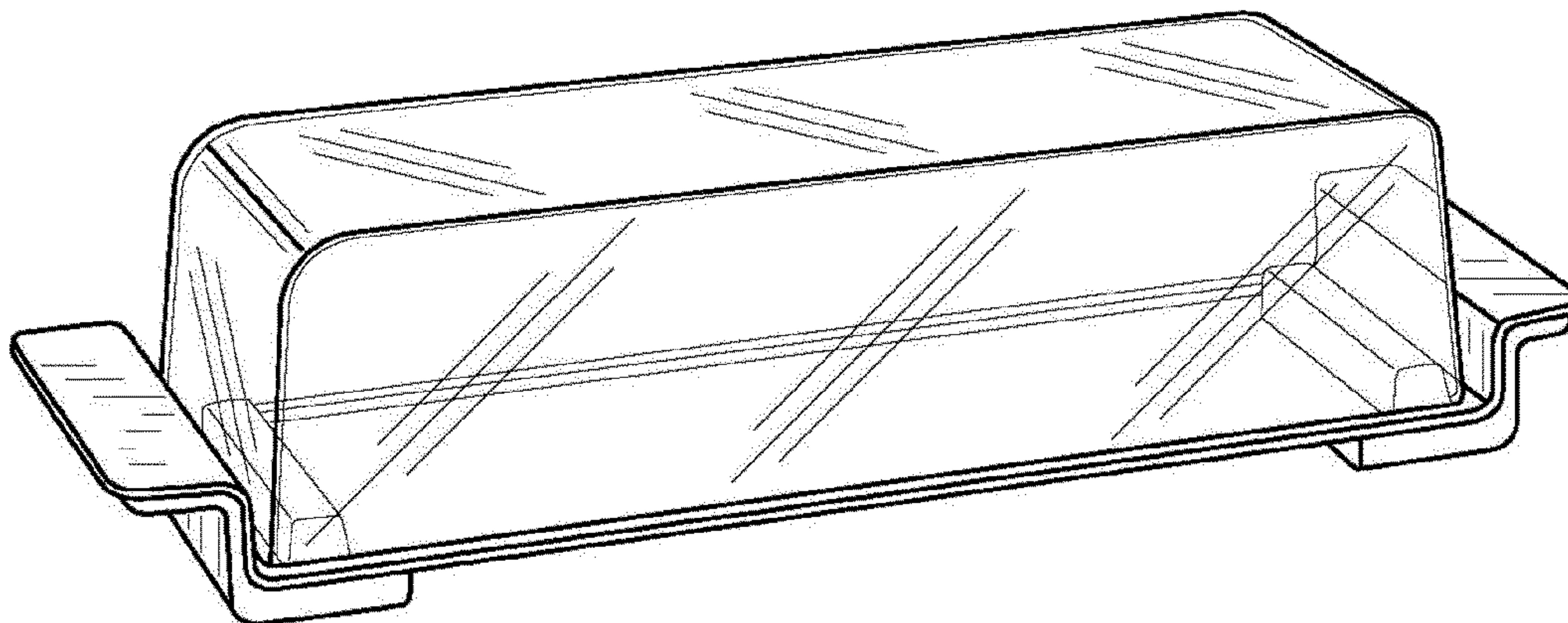
(57) **CLAIM**

The ornamental design for a butter dish, as shown, and described.

DESCRIPTION

FIG. 1 is a perspective view of the butter dish;
FIG. 2 is a side view of the butter dish;
FIG. 3 is a top view of the butter dish;
FIG. 4 is a bottom side view of the butter dish; and,
FIG. 5 is an end side view of the butter dish.

1 Claim, 5 Drawing Sheets



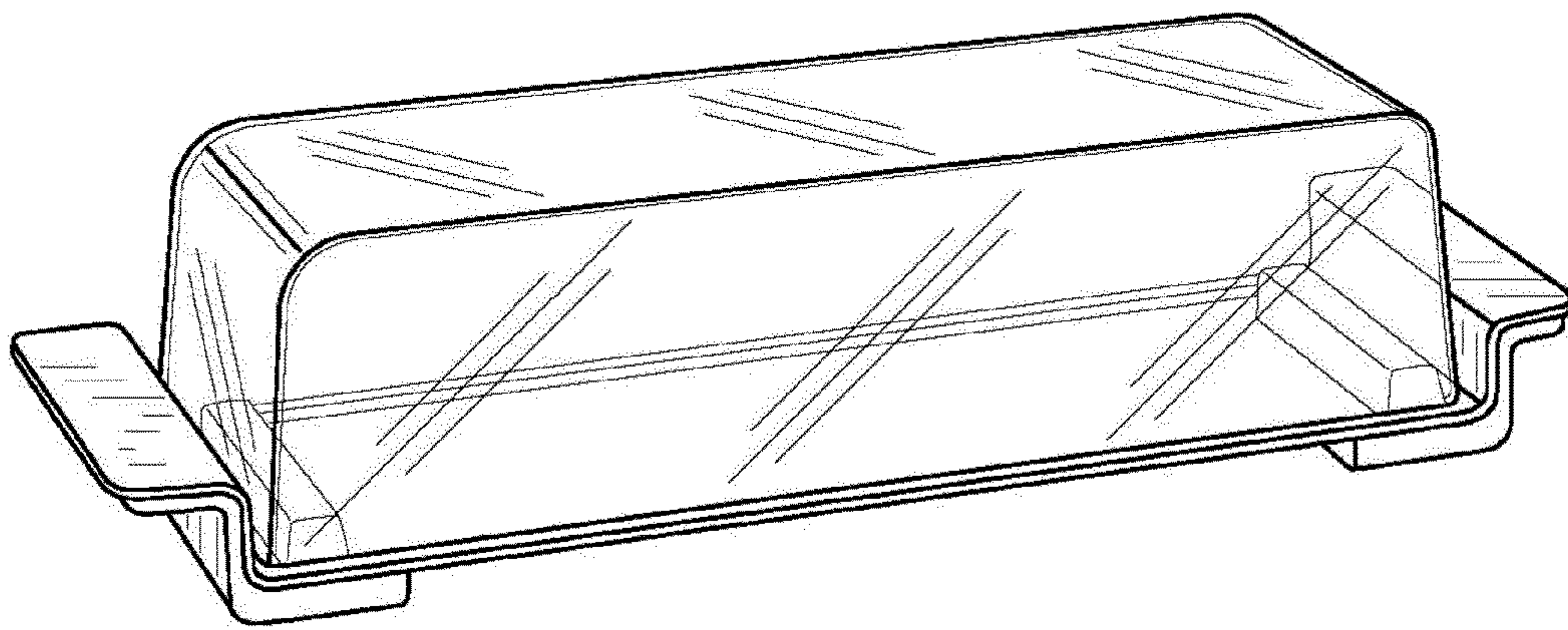


Figure 1

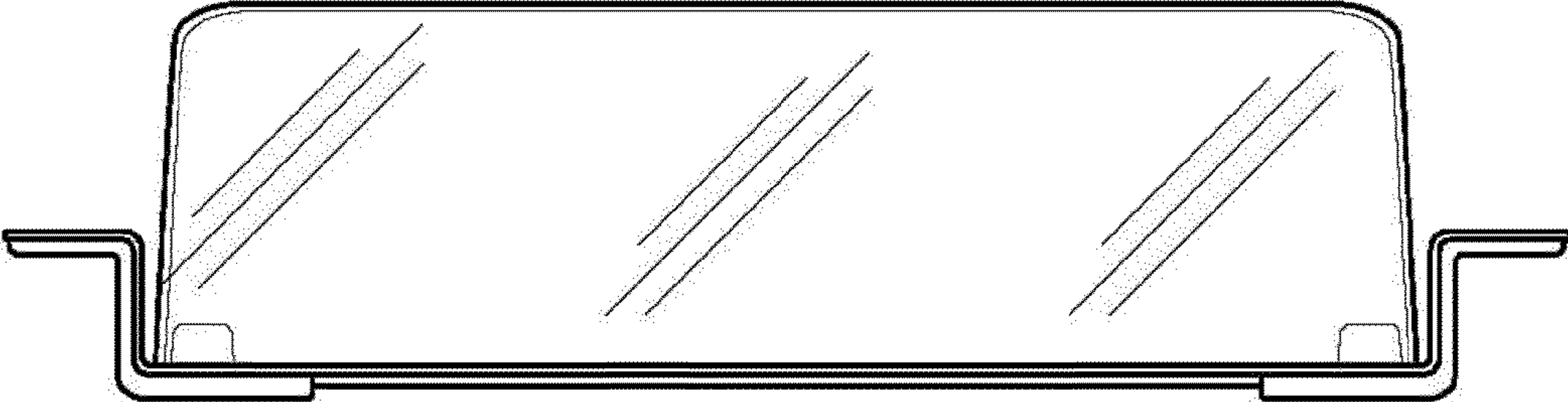


Figure 2

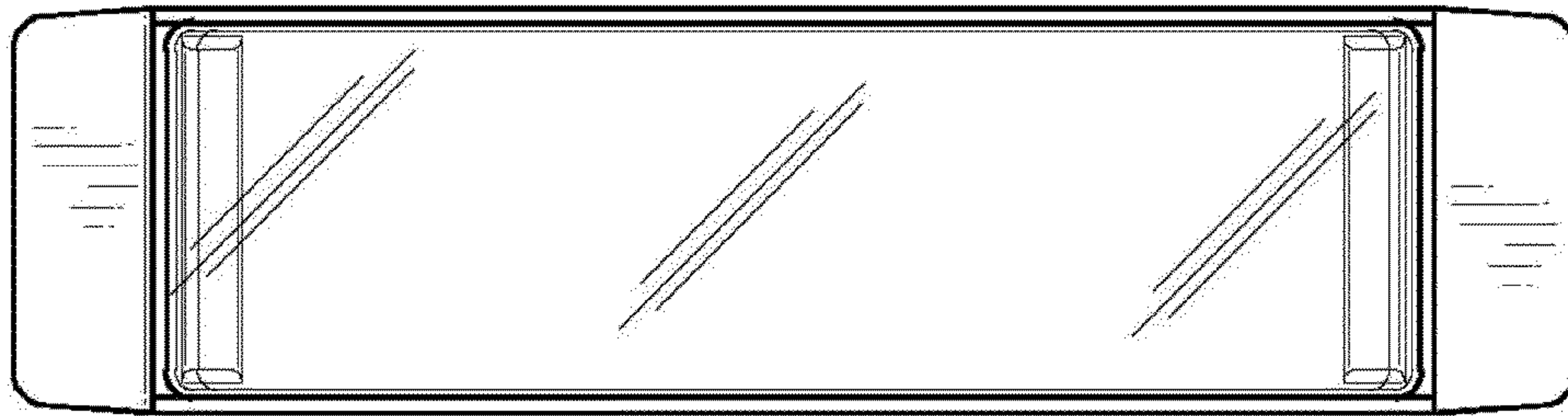


Figure 3

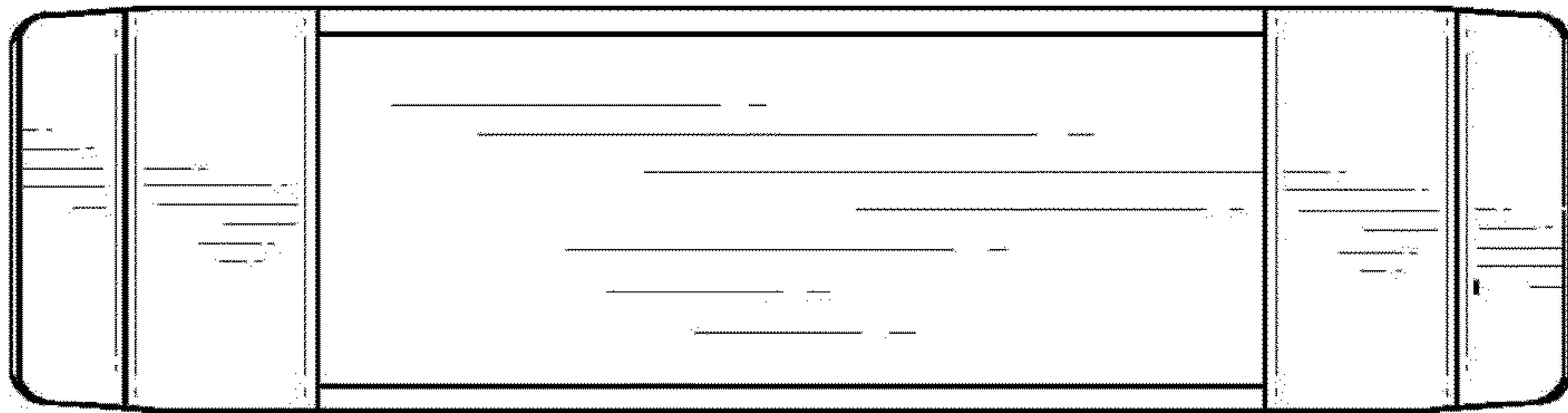


Figure 4

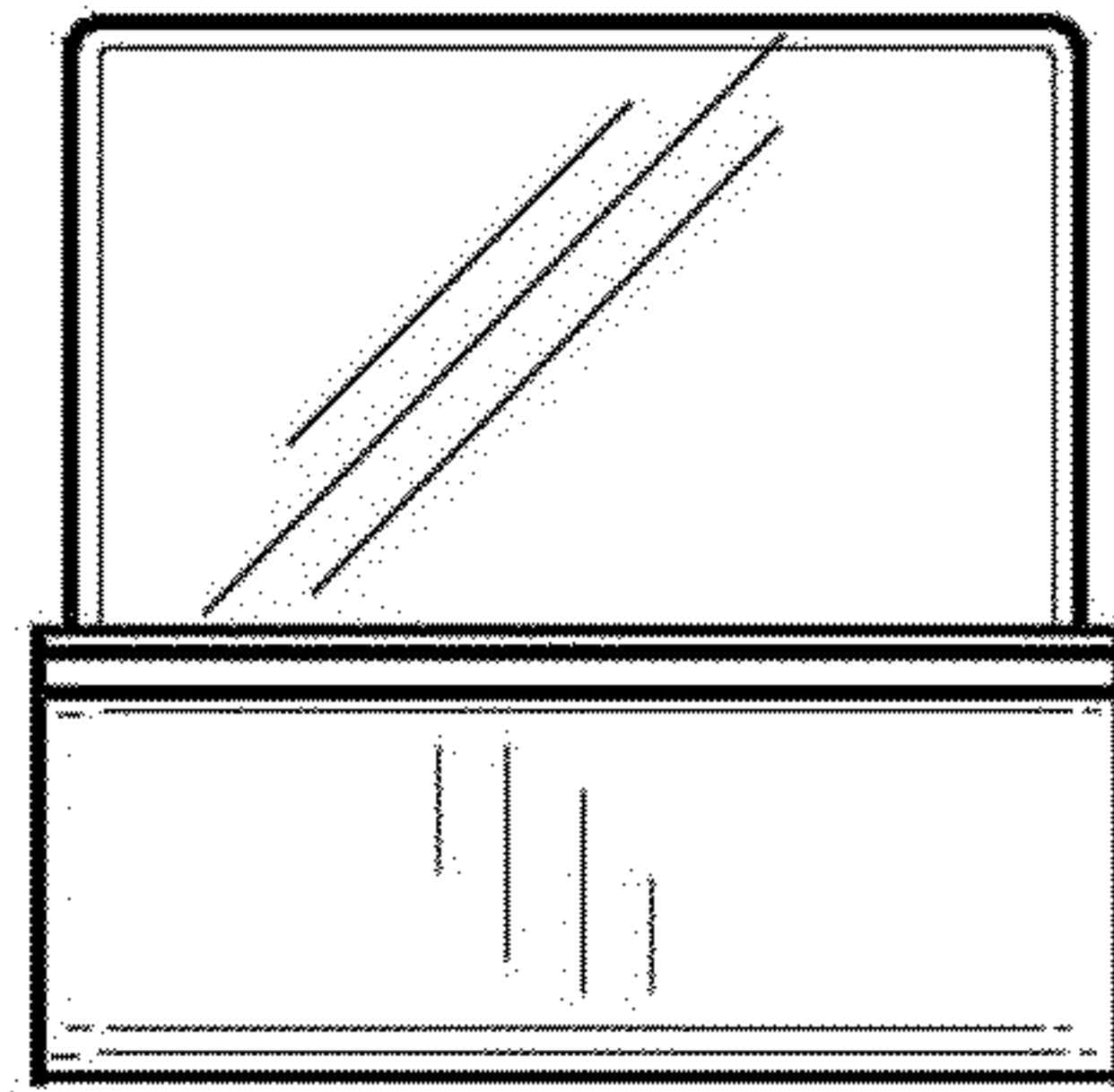


Figure 5