



US00D743738S

(12) **United States Design Patent**
Krumpe

(10) **Patent No.:** **US D743,738 S**

(45) **Date of Patent:** **** Nov. 24, 2015**

(54) **MIXER**

(71) Applicant: **Y Line Product Design LLC**, Chicago, IL (US)

(72) Inventor: **Geraint Godfellow Krumpe**, Chicago, IL (US)

(73) Assignee: **Y Line Product Design LLC**, Chicago, IL (US)

(**) Term: **14 Years**

(21) Appl. No.: **29/498,431**

(22) Filed: **Aug. 4, 2014**

(51) **LOC (10) Cl.** **31-00**

(52) **U.S. Cl.**
USPC **D7/412; D7/376; D7/378; D7/383; D7/384**

(58) **Field of Classification Search**
USPC **D7/372, 376-386, 393, 412-413, 602, D7/629, 665-666, 669, 679, 693-694; D24/220**

CPC **A21C 1/02; A21C 1/04; A23N 1/00; A23N 1/02; A47J 19/005; A47J 43/04; A47J 43/25; A47J 43/27; A47J 43/042; A47J 43/044; A47J 43/046; A47J 43/075; A47J 43/0722; A47J 43/0727; B01F 3/00; B01F 3/0807; B01F 3/0853; B01F 7/00325; B01F 7/00583; B01F 13/0059; B01F 13/0064; B02C 1/08; B02C 2/04; B02C 4/42; B02C 4/142; B02C 4/143; B02C 4/423; B02C 13/1835; B02C 18/24; B28C 5/10; B28C 5/12; B28C 5/14; B28C 5/16; B65G 33/00; F04D 29/329**

See application file for complete search history.

(56) **References Cited**

U.S. PATENT DOCUMENTS

241,278	A *	5/1881	Barnard	B65G 33/00
					198/657
2,306,245	A *	12/1942	Duke	B01F 7/00325
					366/197
3,761,026	A *	9/1973	Rohmer	B02C 18/24
					241/199.12
D493,665	S *	8/2004	Warning	D7/393
D536,577	S *	2/2007	Henry	D7/412
7,303,329	B1 *	12/2007	Flynn	B01F 7/00583
					366/129
D596,309	S *	7/2009	Tien	D24/220
7,744,026	B2 *	6/2010	Gregory	A47J 19/005
					241/169.1
D664,393	S *	7/2012	Dietz	D7/376
2003/0063975	A1 *	4/2003	Hornig	F04D 29/329
					416/183

* cited by examiner

Primary Examiner — Ricky Pham

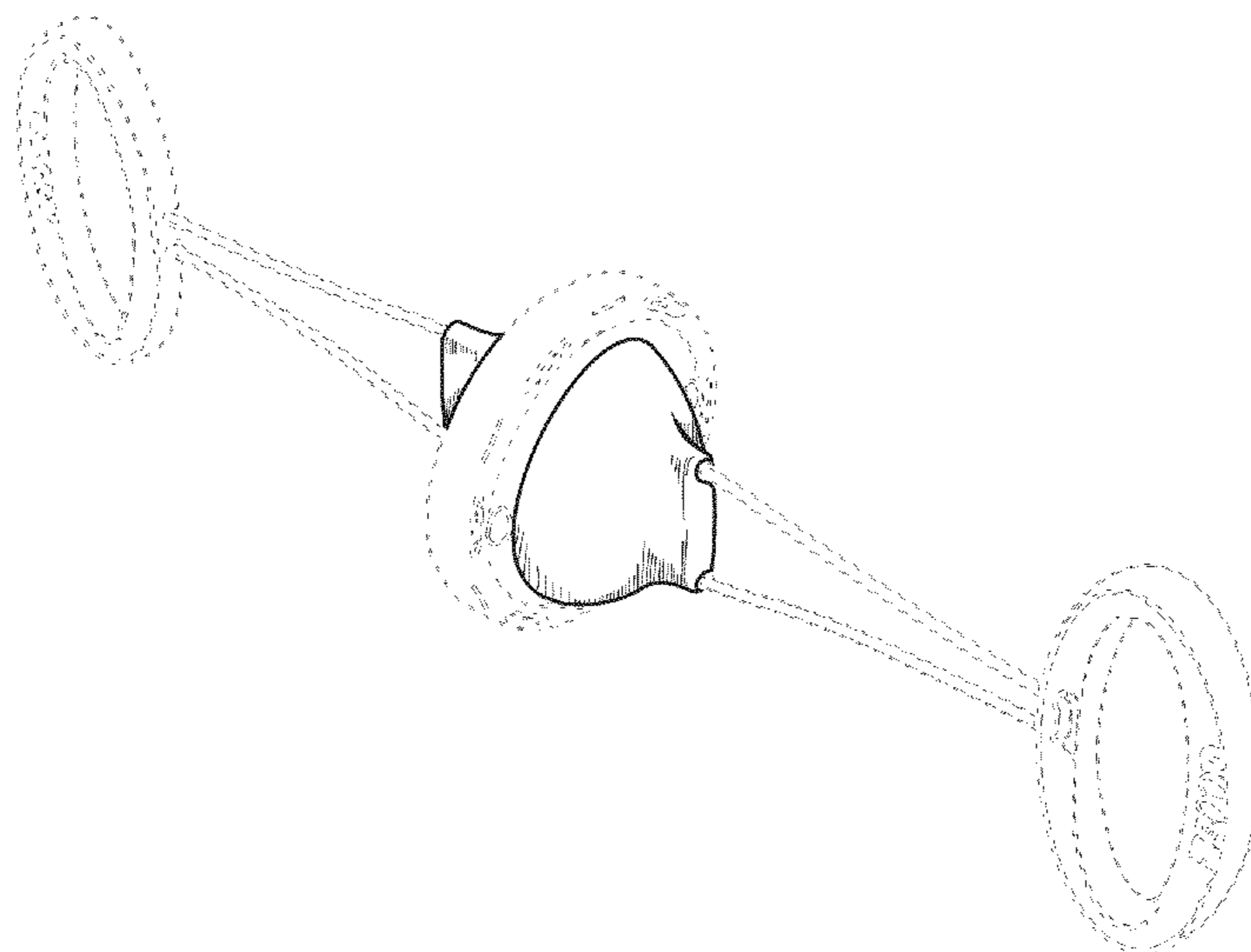
(57) **CLAIM**

The ornamental design for a mixer, as shown and described.

DESCRIPTION

FIG. 1 illustrates a perspective view of a mixer showing my new design;
FIG. 2 illustrates another perspective view thereof;
FIG. 3 illustrates a front view thereof;
FIG. 4 illustrates a bottom view thereof;
FIG. 5 illustrates a back view thereof;
FIG. 6 illustrates a side view thereof; and,
FIG. 7 illustrates a side view thereof.
The broken lines are for illustrative purposes only; the broken lines form no part of my claimed design.

1 Claim, 3 Drawing Sheets



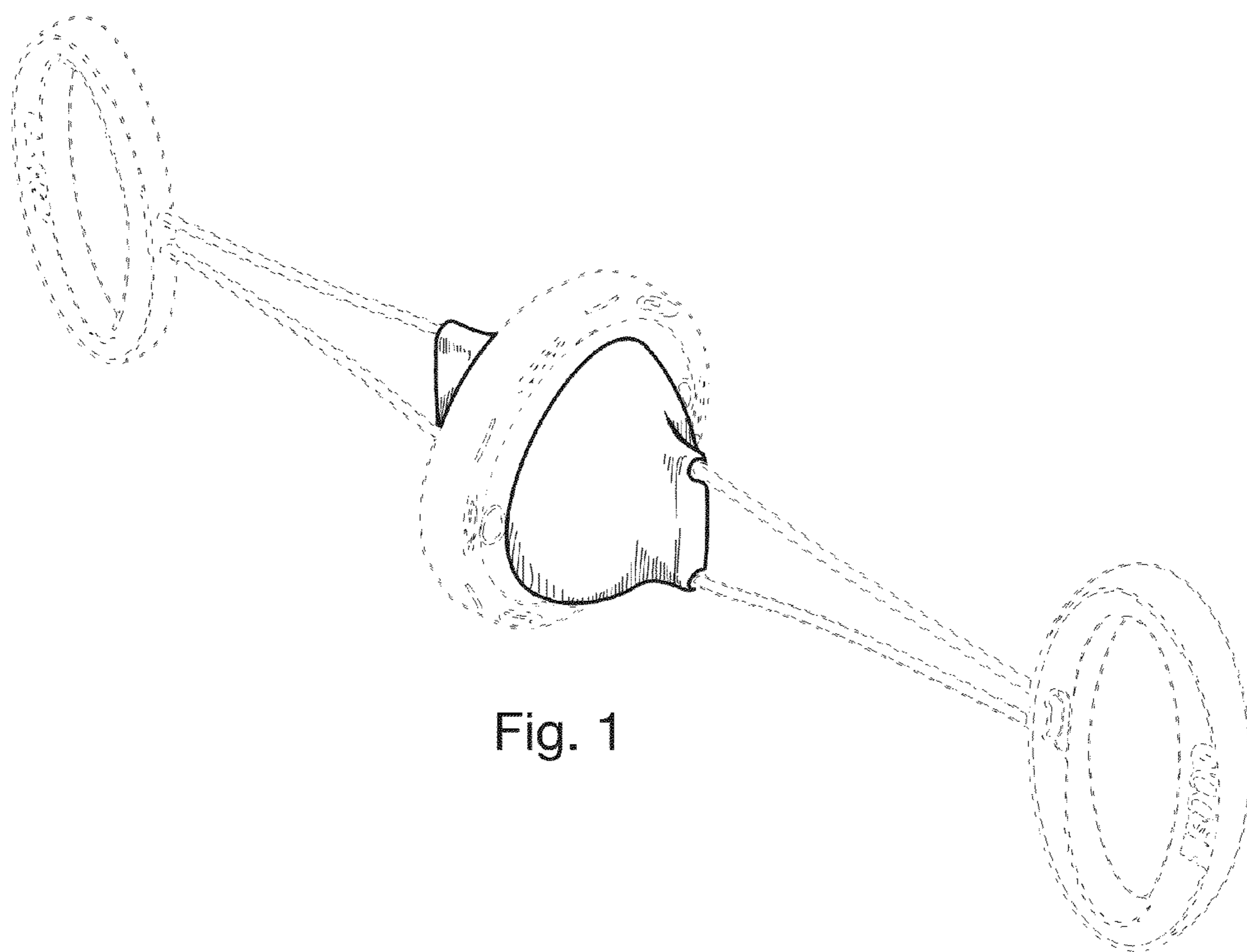


Fig. 1

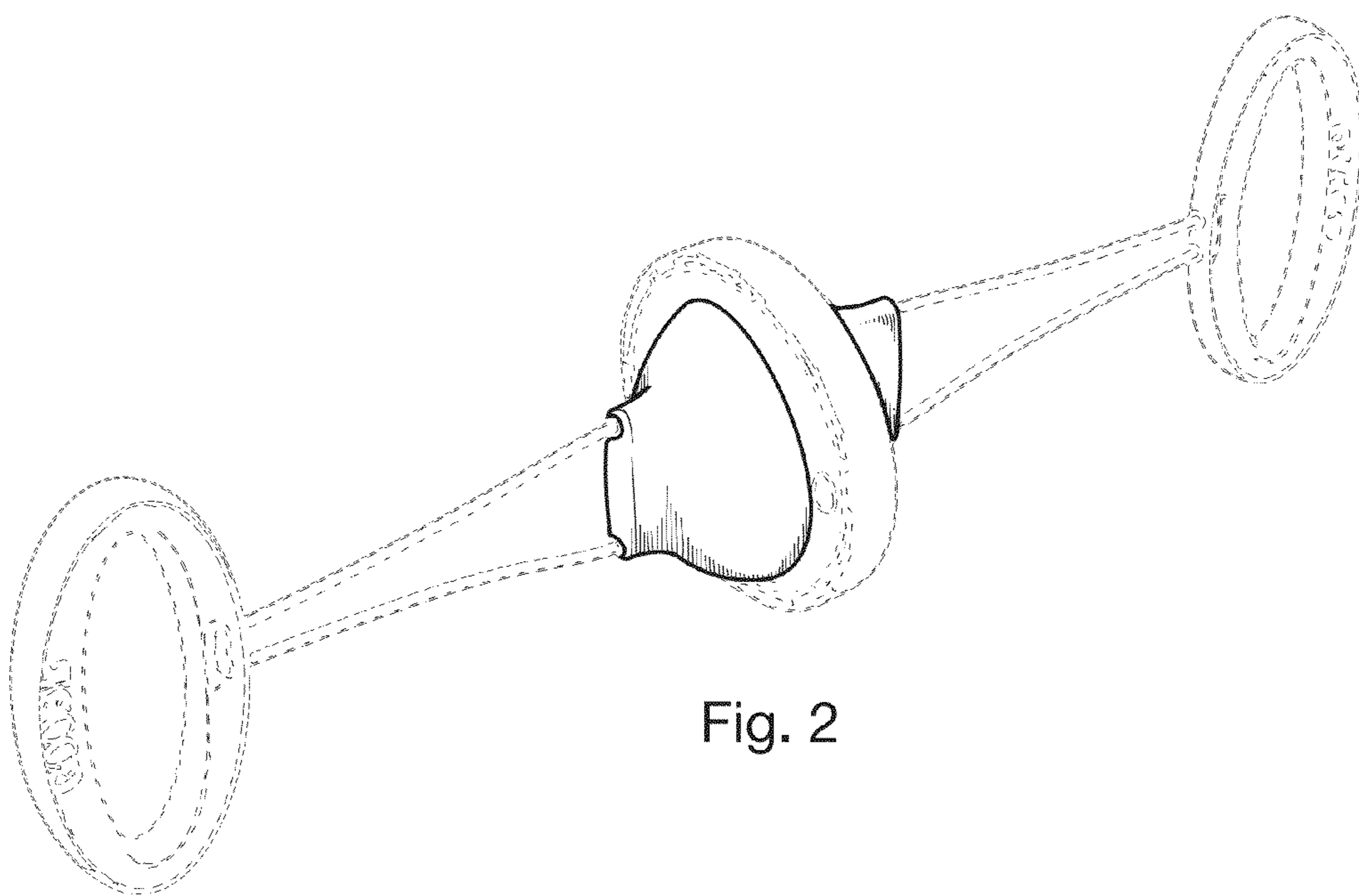


Fig. 2

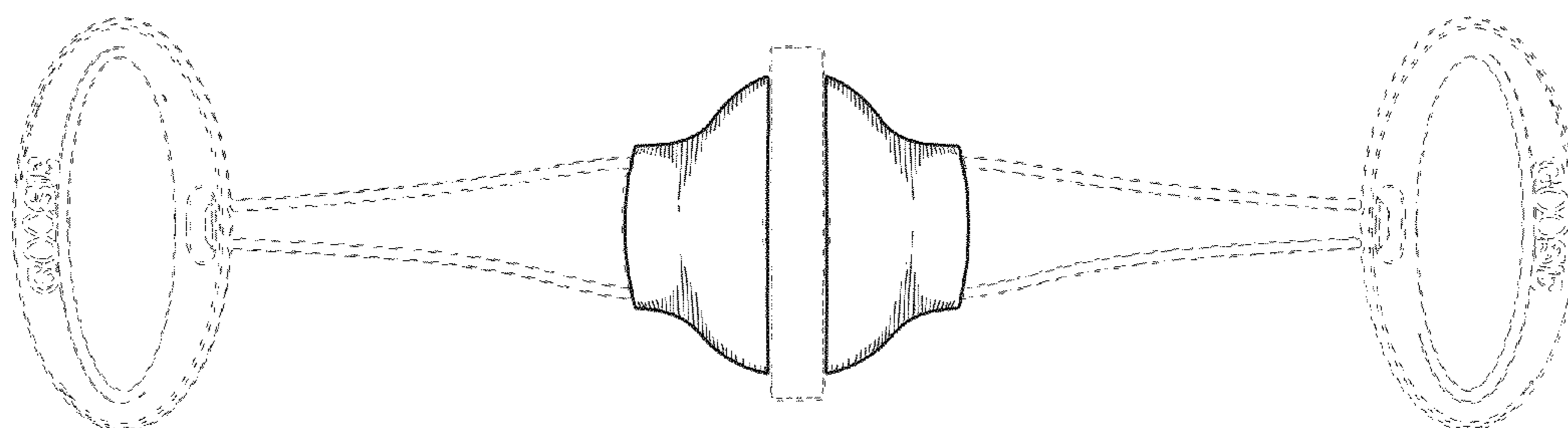


Fig. 3

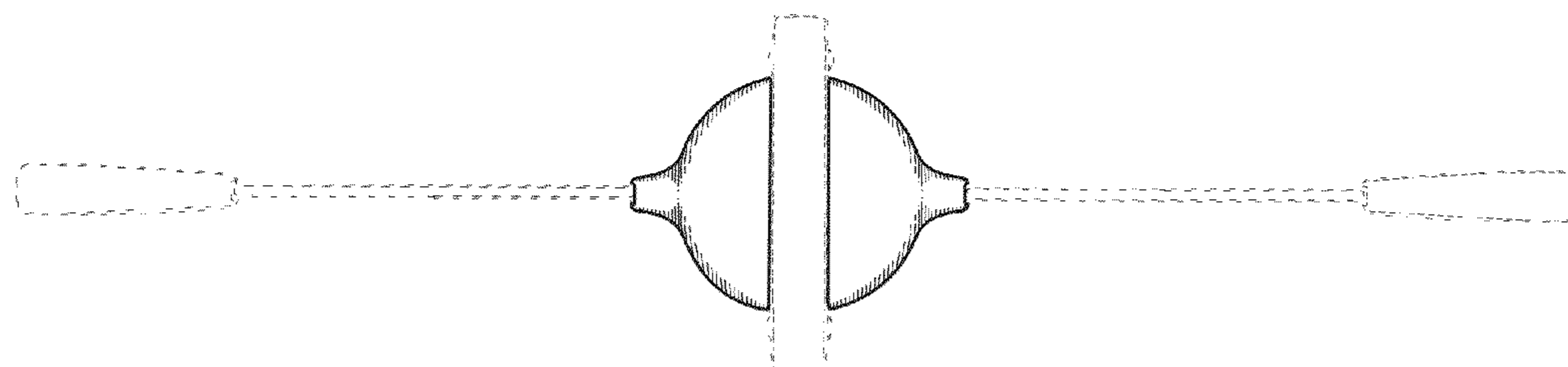


Fig. 4

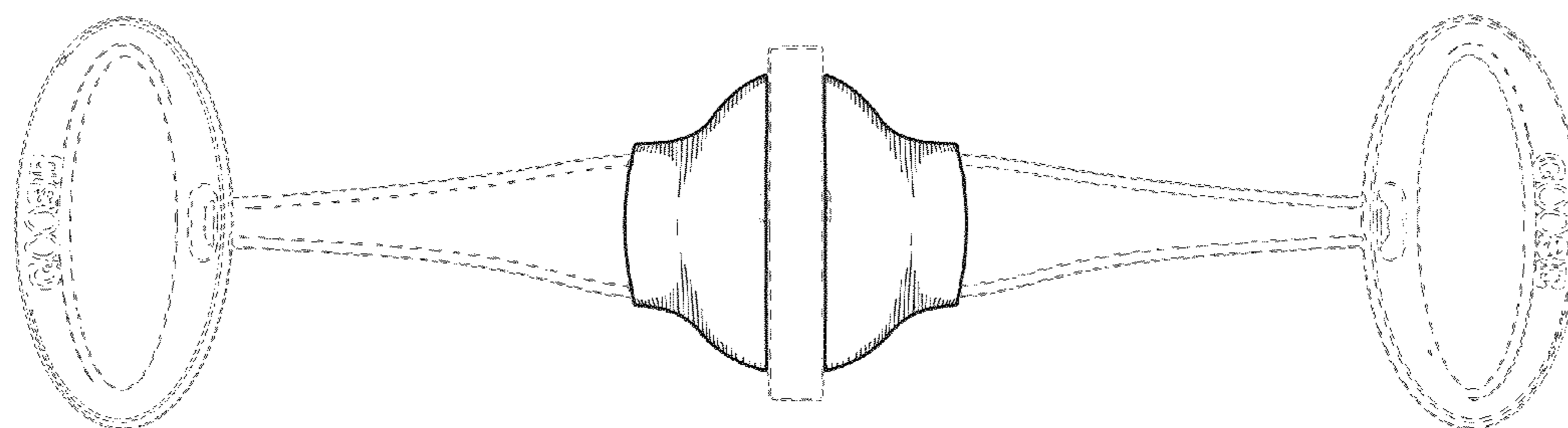


Fig. 5

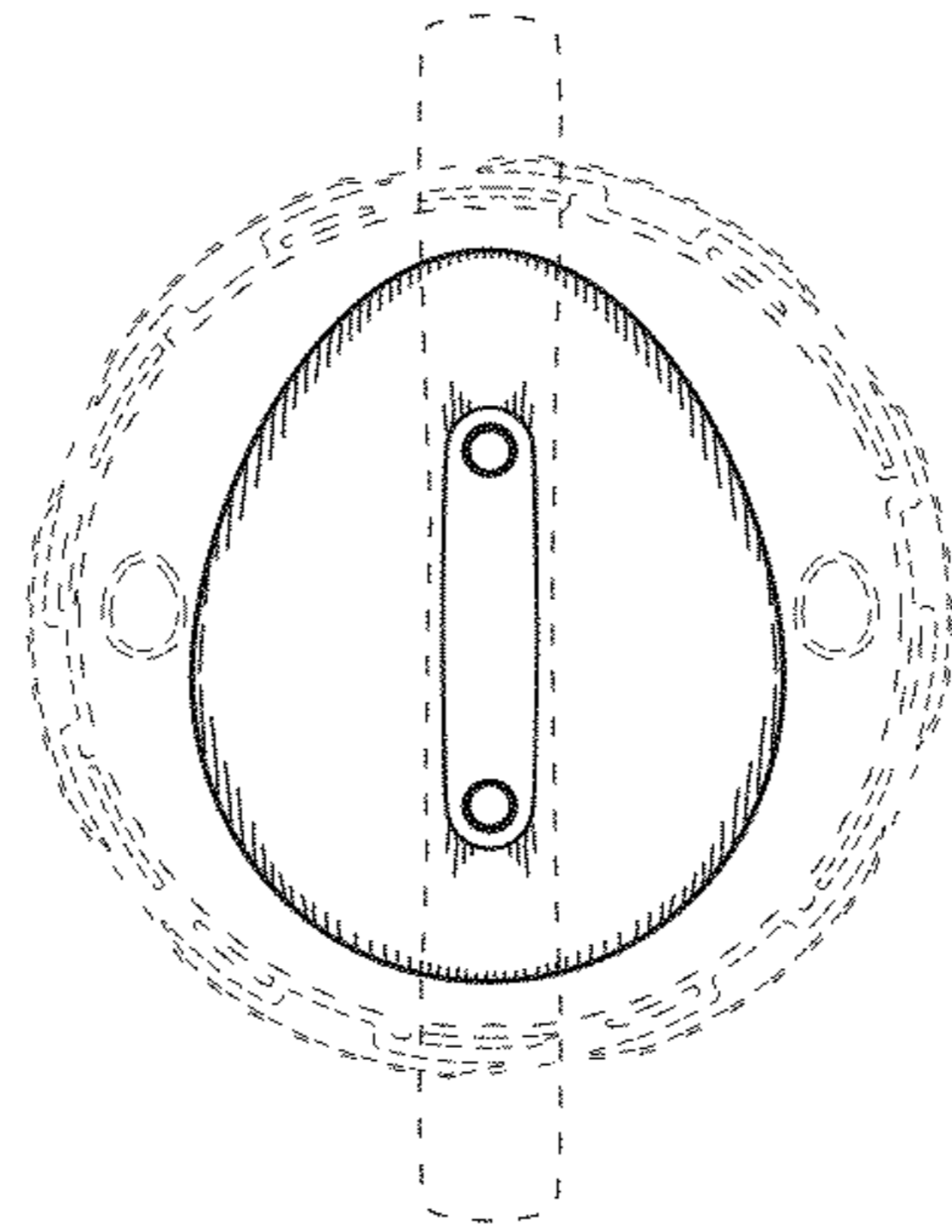


Fig. 6

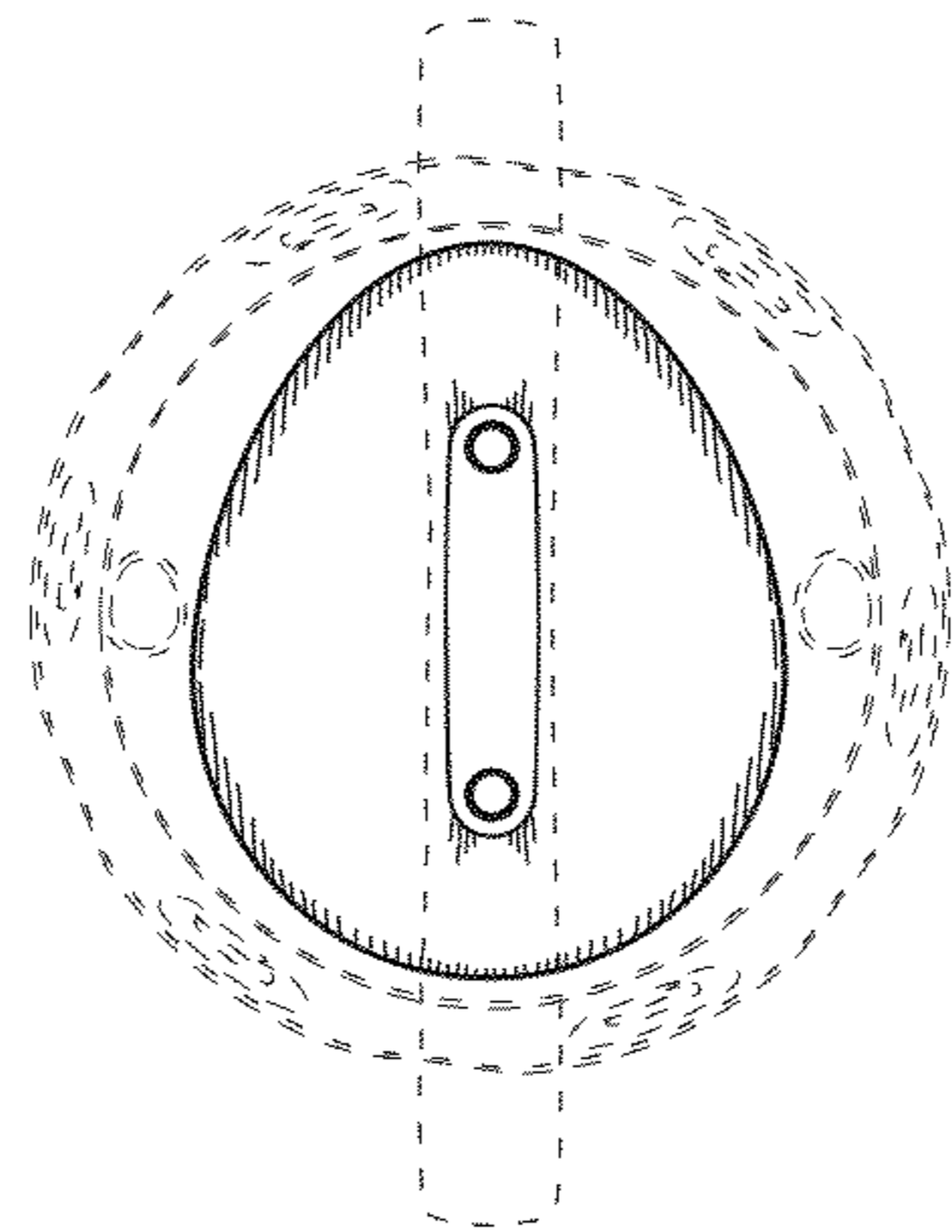


Fig. 7