



US00D743737S

(12) **United States Design Patent**  
**Benoit et al.**

(10) **Patent No.:** **US D743,737 S**  
(45) **Date of Patent:** **\*\* Nov. 24, 2015**

(54) **MIXER ATTACHMENT**

(71) Applicant: **Whirlpool Corporation**, Benton Harbor, MI (US)

(72) Inventors: **Kaitlyn M. Benoit**, St. Joseph, MI (US);  
**Leif A. Norland**, St. Joseph, MI (US)

(73) Assignee: **Whirlpool Corporation**, Benton Harbor, MI (US)

(\*\*) Term: **14 Years**

(21) Appl. No.: **29/485,032**

(22) Filed: **Mar. 14, 2014**

(51) **LOC (10) Cl.** ..... **31-00**

(52) **U.S. Cl.**

USPC ..... **D7/412; D7/376; D7/378; D7/384**

(58) **Field of Classification Search**

USPC ..... **D7/372-373, 376-386, 412-413, 602, D7/629, 665-666, 669, 679, 693-694; 99/484, 509-511; 209/355, 358; 241/92, 98, 100, 101.01-101.2, 241/166-169.1, 274-278.2, 285.1-285.3, 241/291, 292.1; 366/64-65, 97-98, 100, 366/130, 182.4, 197-201, 205-207, 366/219-220, 341-343**

CPC ..... **A21C 1/02; A21C 1/04; A23N 1/00; A23N 1/02; A47J 43/04; A47J 43/25; A47J 43/27; A47J 43/042; A47J 43/044; A47J 43/046; A47J 43/07; A47J 43/075; A47J 43/0705; A47J 43/0722; A47J 43/0727; A47J 44/02; B01F 3/00; B01F 3/0807; B01F 3/0853; B01F 7/1605; B01F 13/0059; B01F 13/0064; B02C 1/08; B02C 2/04; B02C 4/42; B02C 4/142; B02C 4/143; B02C 4/423; B02C 13/1835; B28C 5/10; B28C 5/12; B28C 5/14; B28C 5/16**

See application file for complete search history.

(56) **References Cited**

U.S. PATENT DOCUMENTS

D47,660	S	*	7/1915	Wear et al.	.....	D7/373
2,003,259	A	*	5/1935	Gilbert et al.	.....	99/484
2,031,770	A	*	2/1936	Gilbert et al.	.....	366/199
2,069,506	A	*	2/1937	Ross	.....	366/200
2,537,852	A	*	1/1951	Peterson	.....	209/355
2,710,098	A	*	6/1955	Tilton	.....	209/358
D310,153	S	*	8/1990	Kaiser	.....	D7/412
D643,265	S	*	8/2011	Kim et al.	.....	D7/665
D660,660	S	*	5/2012	Kim	.....	D7/666
D670,138	S	*	11/2012	Hu	.....	D7/665
D698,210	S	*	1/2014	Lavy et al.	.....	D7/665
D718,094	S	*	11/2014	Yan	.....	D7/665
2014/0263783	A1	*	9/2014	Benoit et al.	.....	241/100

\* cited by examiner

*Primary Examiner* — Ricky Pham

(57) **CLAIM**

We claim the ornamental design for a mixer attachment, as shown and described.

**DESCRIPTION**

FIG. 1 is a front perspective view of a mixer attachment of the present disclosure,

FIG. 2 is a first side elevational view of the mixer attachment of FIG. 1;

FIG. 3 is a second side elevational view of the mixer attachment of FIG. 1;

FIG. 4 is a rear elevational view of the mixer attachment of FIG. 1;

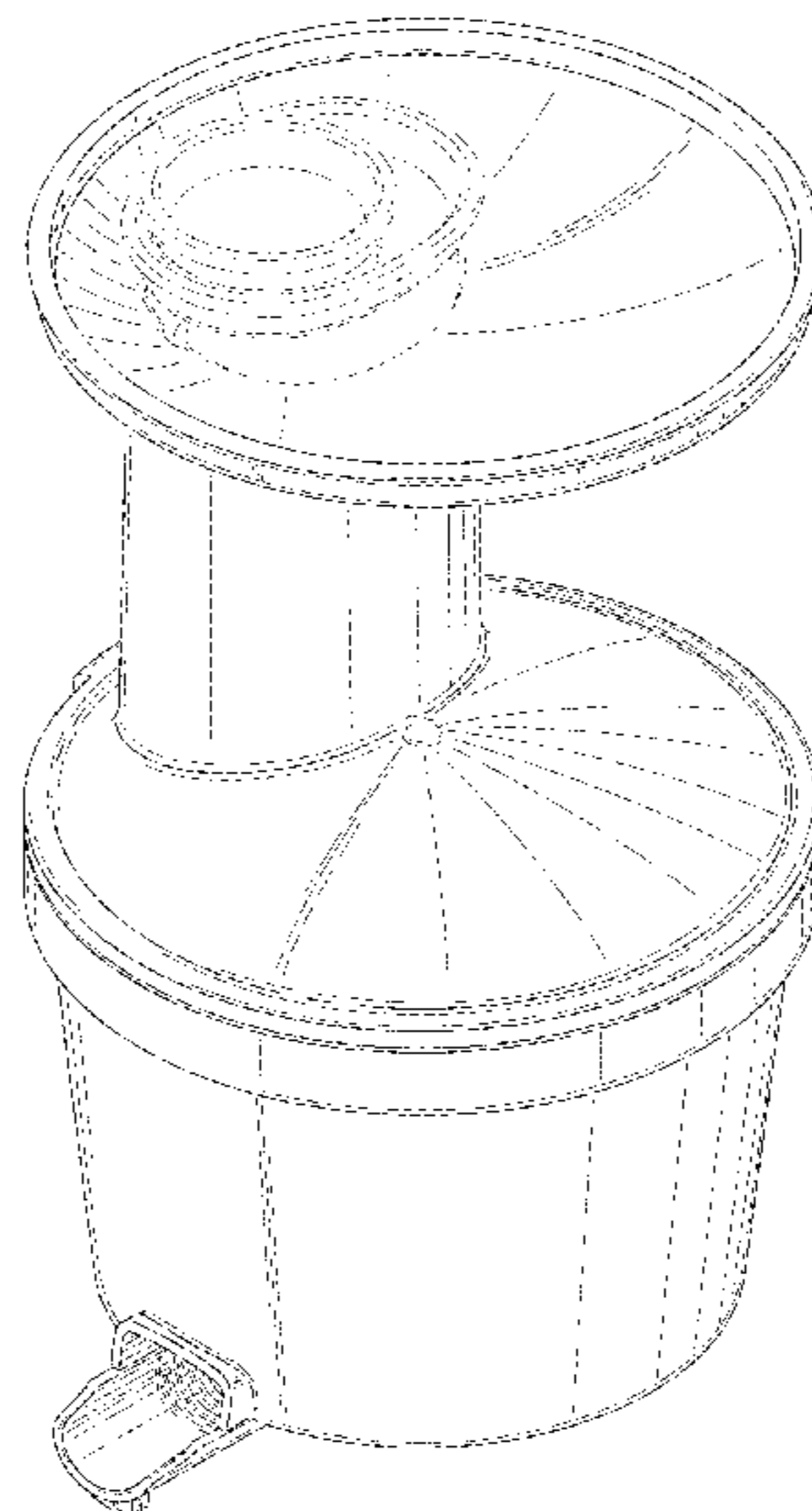
FIG. 5 is a front elevational view of the mixer attachment of FIG. 1;

FIG. 6 is a top plan view of the mixer attachment of FIG. 1; and,

FIG. 7 is a bottom plan view of the mixer attachment of FIG. 1.

The broken lines shown in the drawings are for illustrative purposes only and form no part of the claimed design.

**1 Claim, 4 Drawing Sheets**



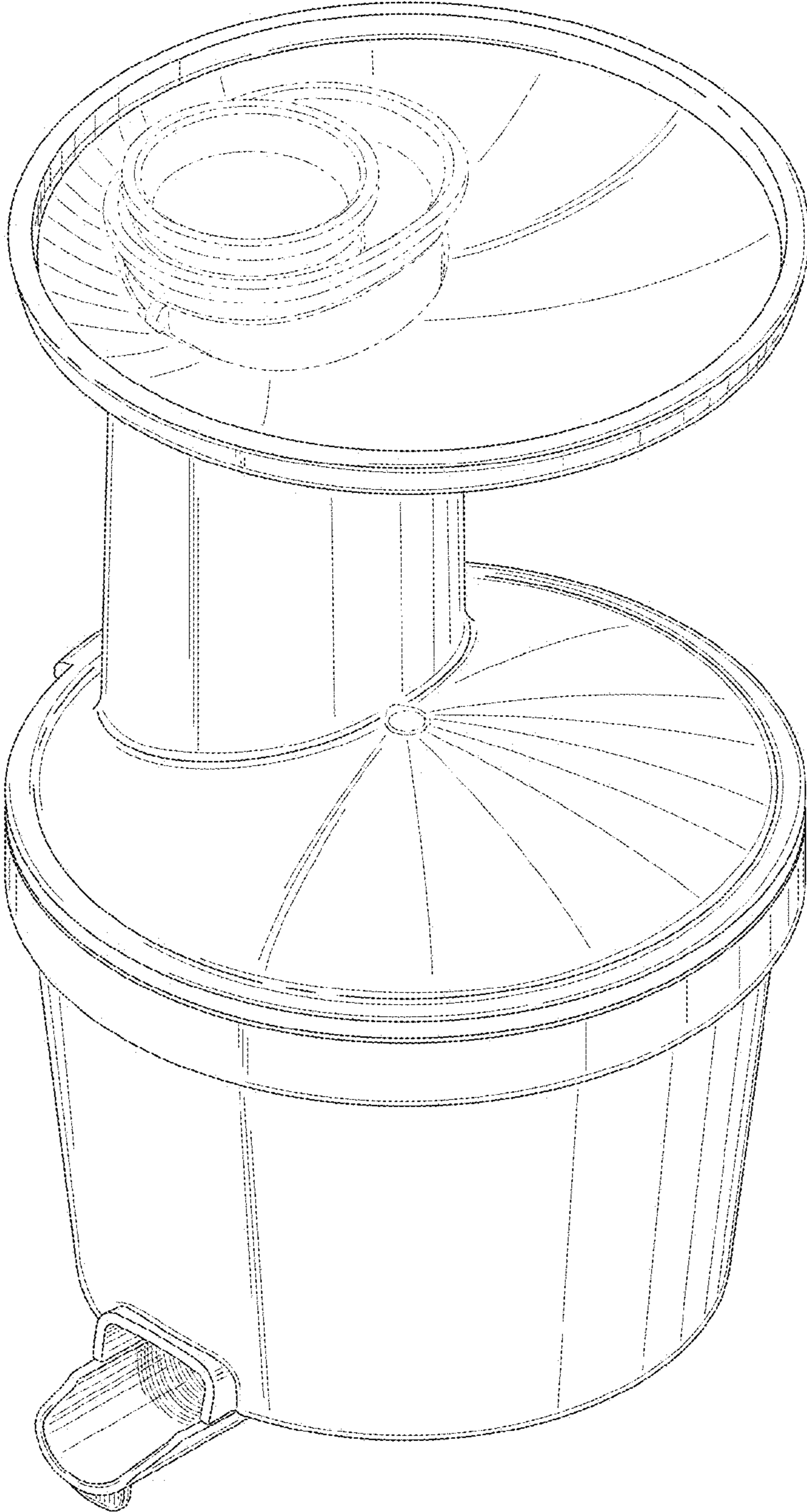


Fig. 1

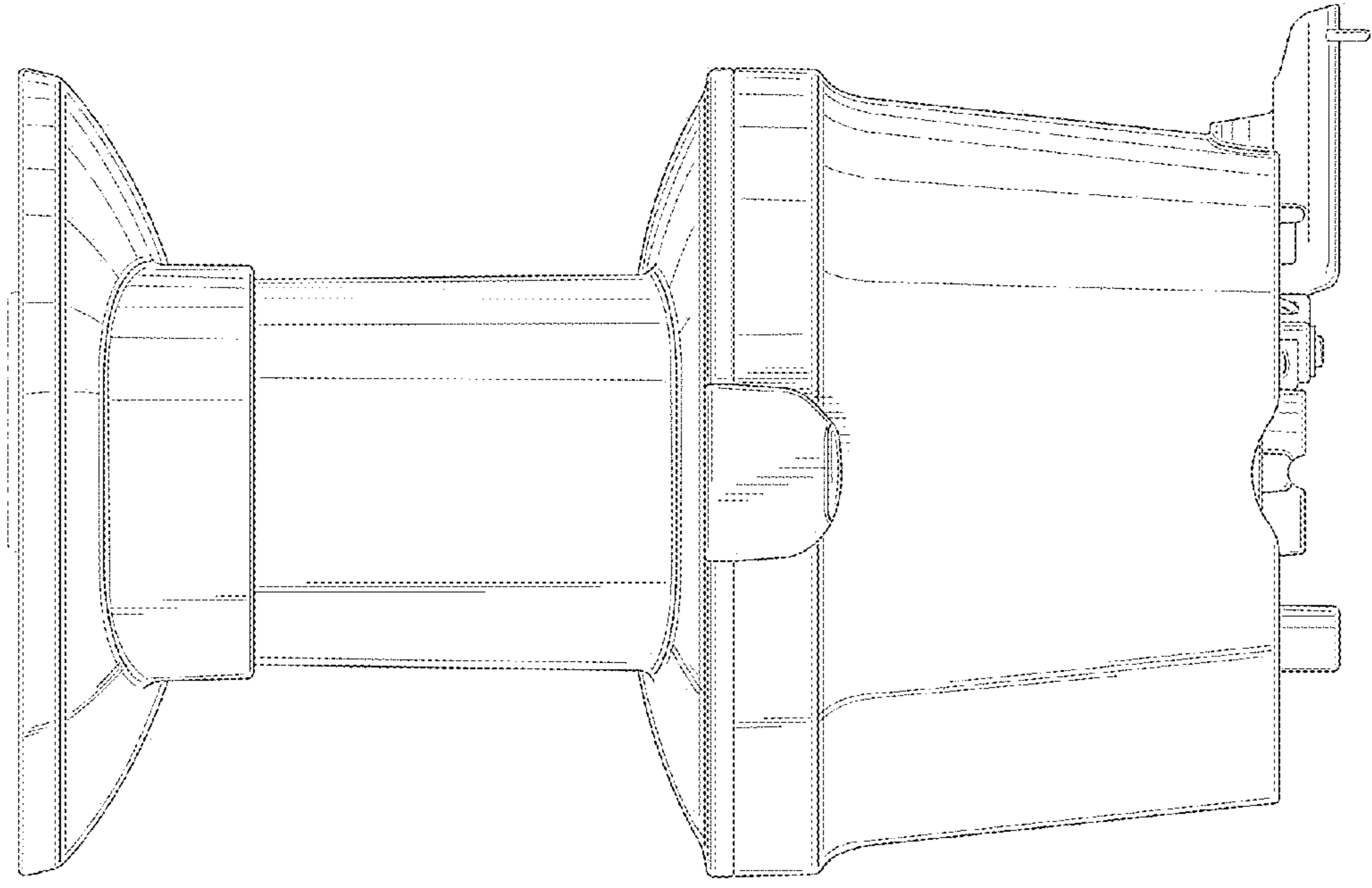


Fig. 3

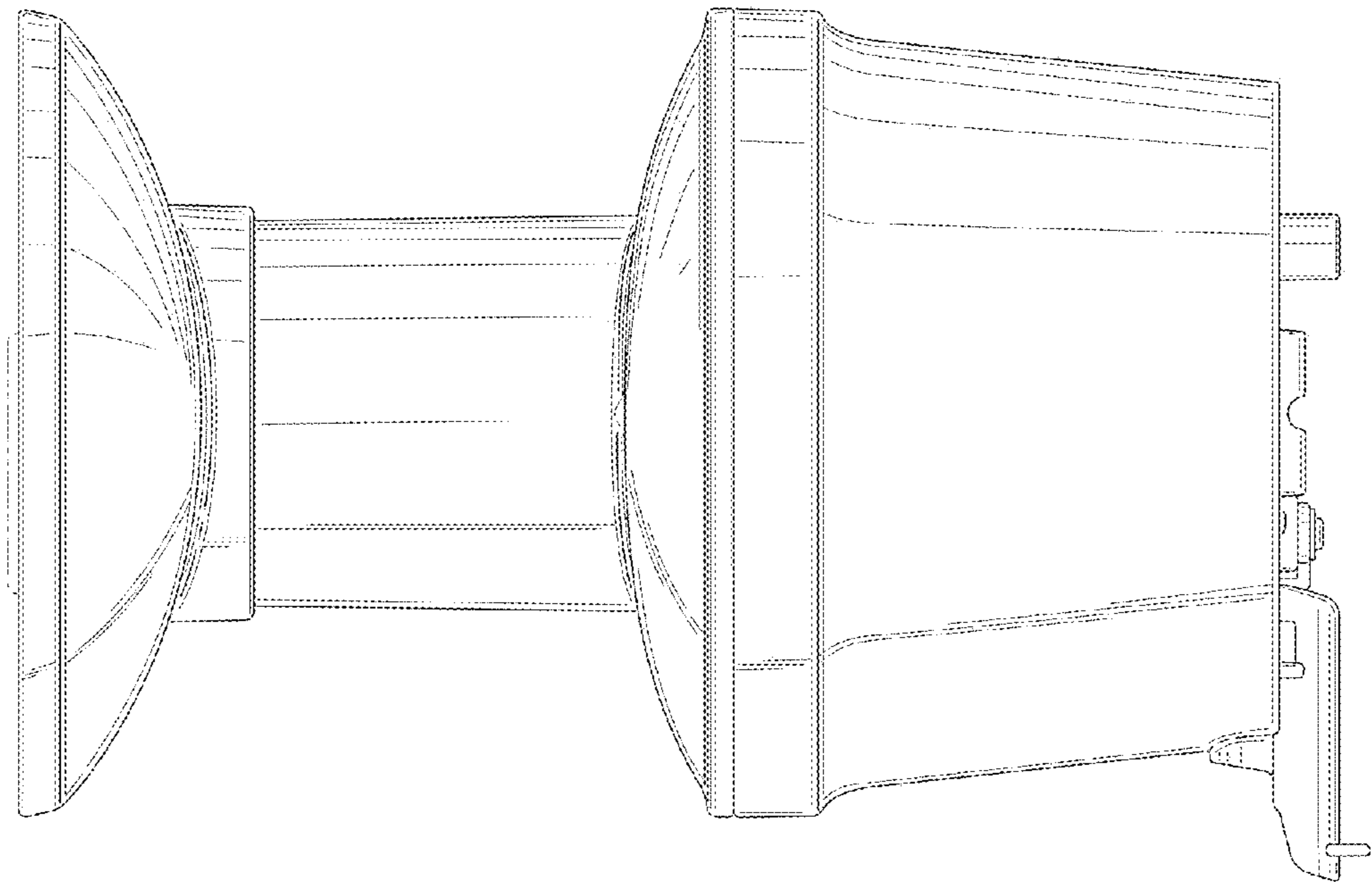


Fig. 2

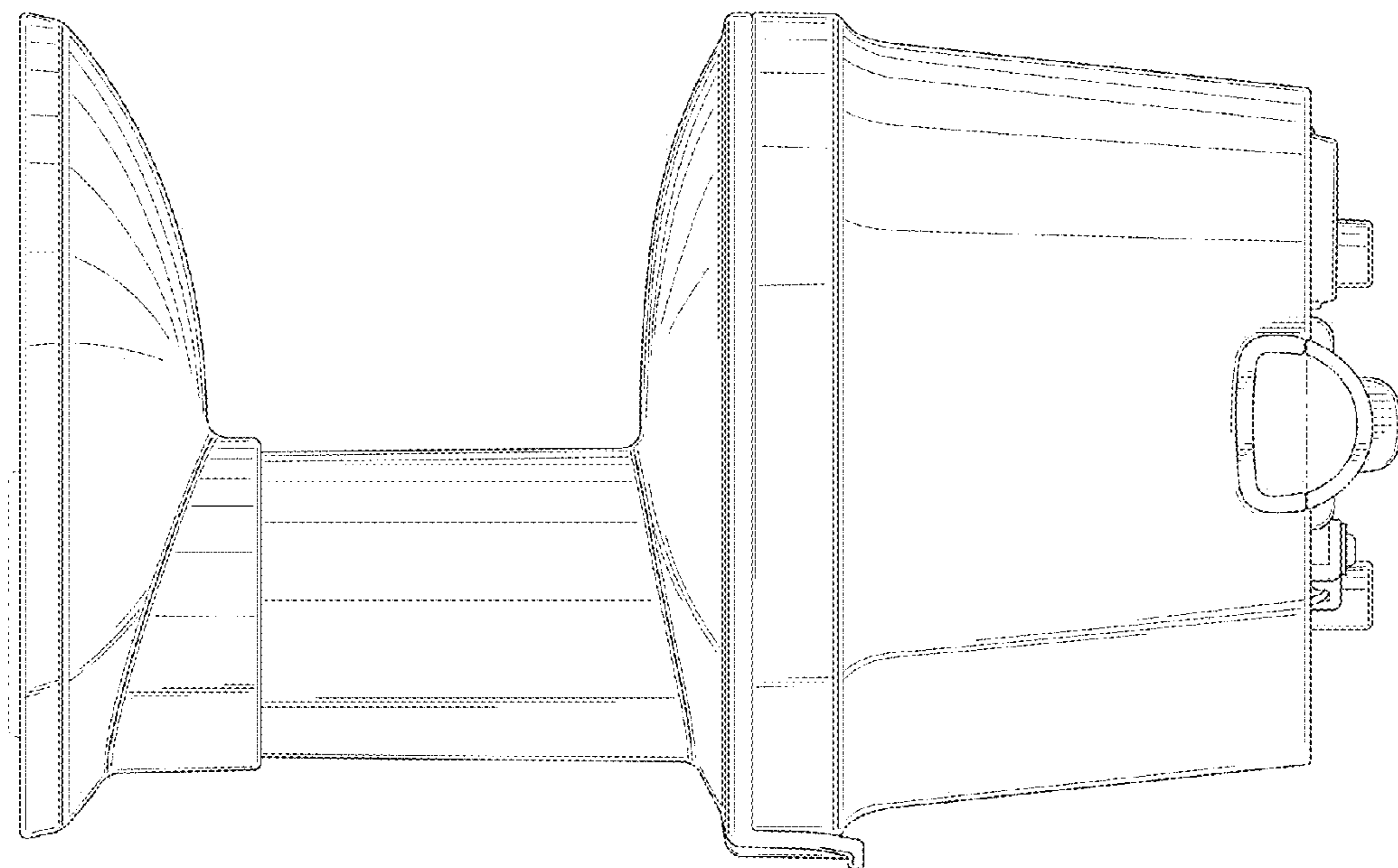


Fig. 5

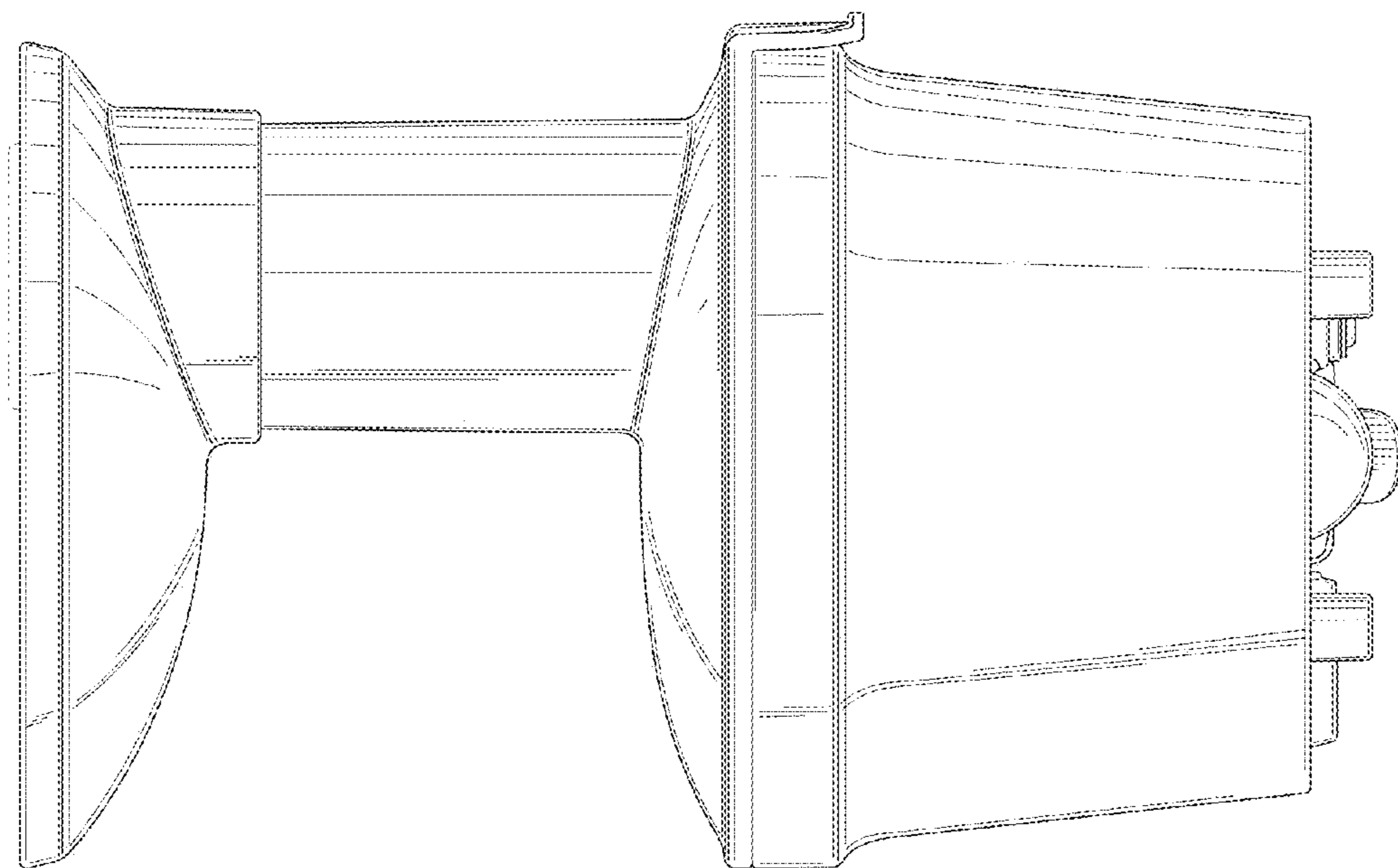


Fig. 4

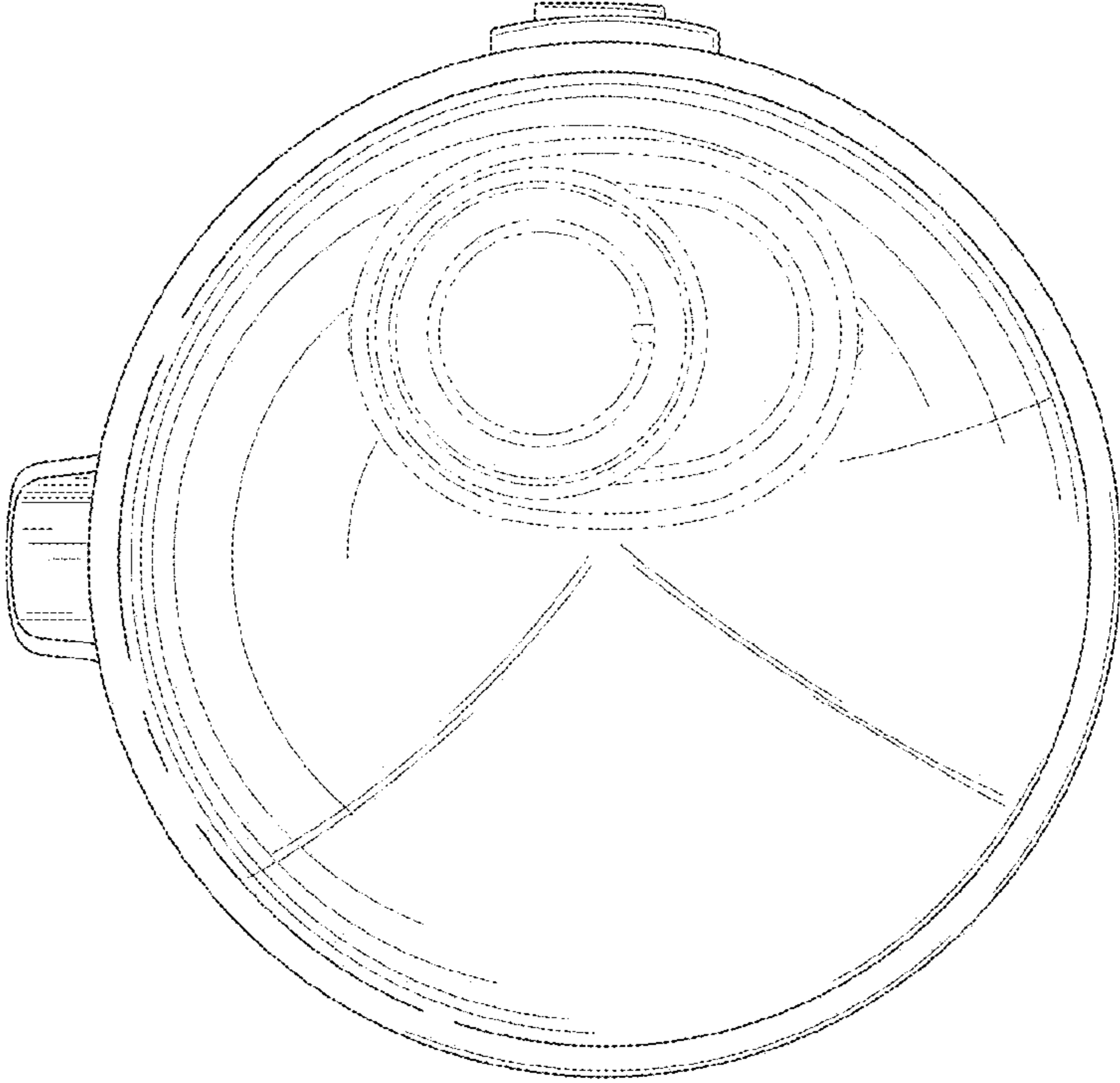


Fig. 6

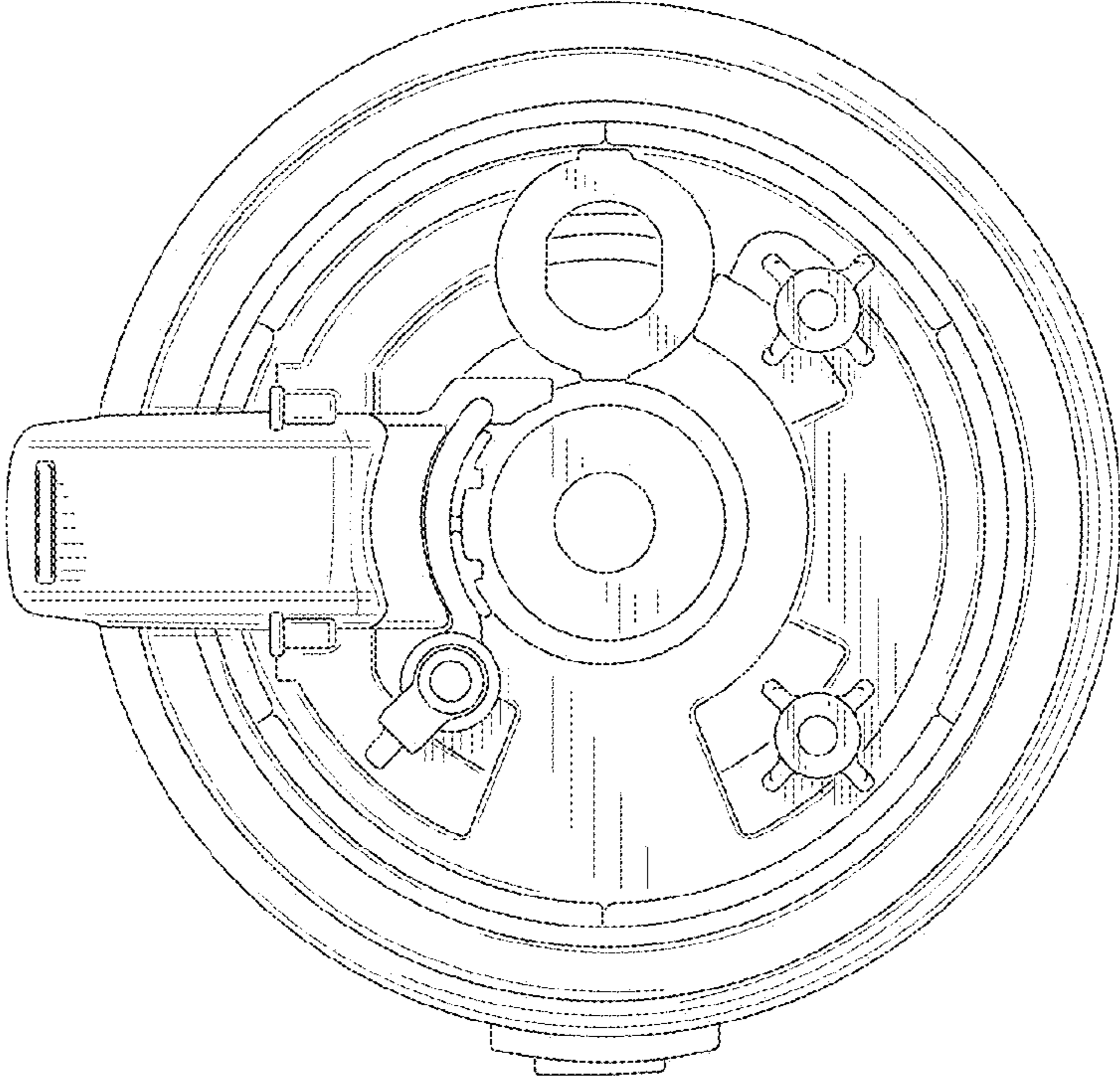


Fig. 7