



US00D743734S

(12) **United States Design Patent**  
**Lee**

(10) **Patent No.:** **US D743,734 S**

(45) **Date of Patent:** **\*\* Nov. 24, 2015**

(54) **INFRARED HEATING COOKER**

(56) **References Cited**

(71) Applicant: **Jin Hee Lee**, Seoul (KR)

U.S. PATENT DOCUMENTS

(72) Inventor: **Jin Hee Lee**, Seoul (KR)

D439,792	S	*	4/2001	Hedrington et al.	.....	D7/323
D458,078	S	*	6/2002	Lin	.....	D7/362
D653,904	S	*	2/2012	Lee	.....	D7/362
D661,542	S	*	6/2012	Lee	.....	D7/362
D688,086	S	*	8/2013	Lee	.....	D7/362
D688,087	S	*	8/2013	Lee	.....	D7/362
D688,088	S	*	8/2013	Lee	.....	D7/362
D688,089	S	*	8/2013	Lee	.....	D7/362
D688,090	S	*	8/2013	Lee	.....	D7/362
8,640,607	B2	*	2/2014	Lee	.....	99/357
8,761,588	B2	*	6/2014	Lee	.....	392/418
D710,144	S	*	8/2014	Lee	.....	D7/362
2010/0229733	A1	*	9/2010	Castillo	.....	99/448

(\*\*) Term: **14 Years**

(21) Appl. No.: **29/492,815**

(22) Filed: **Jun. 3, 2014**

(30) **Foreign Application Priority Data**

Mar. 17, 2014 (KR) ..... 30-2014-0013235

(51) **LOC (10) CL.** ..... **07-02**

(52) **U.S. Cl.**  
USPC ..... **D7/362**

(58) **Field of Classification Search**  
USPC ..... D7/323, 337, 339, 341, 352, 354–355,  
D7/362–367, 409–411  
CPC ..... A21B 1/06; A21B 1/50; A21B 1/52;  
A47J 37/04; A47J 37/06; A47J 37/015;  
A47J 37/067; A47J 37/0611; A47J 37/0629;  
A47J 37/0605; A47J 37/0676; F24C 7/06;  
F24C 7/083; F24C 15/02; F24C 15/166;  
H05B 3/20; H05B 3/40

See application file for complete search history.

\* cited by examiner

*Primary Examiner* — Ricky Pham

(74) *Attorney, Agent, or Firm* — Kile Park Reed & Houtteman PLLC

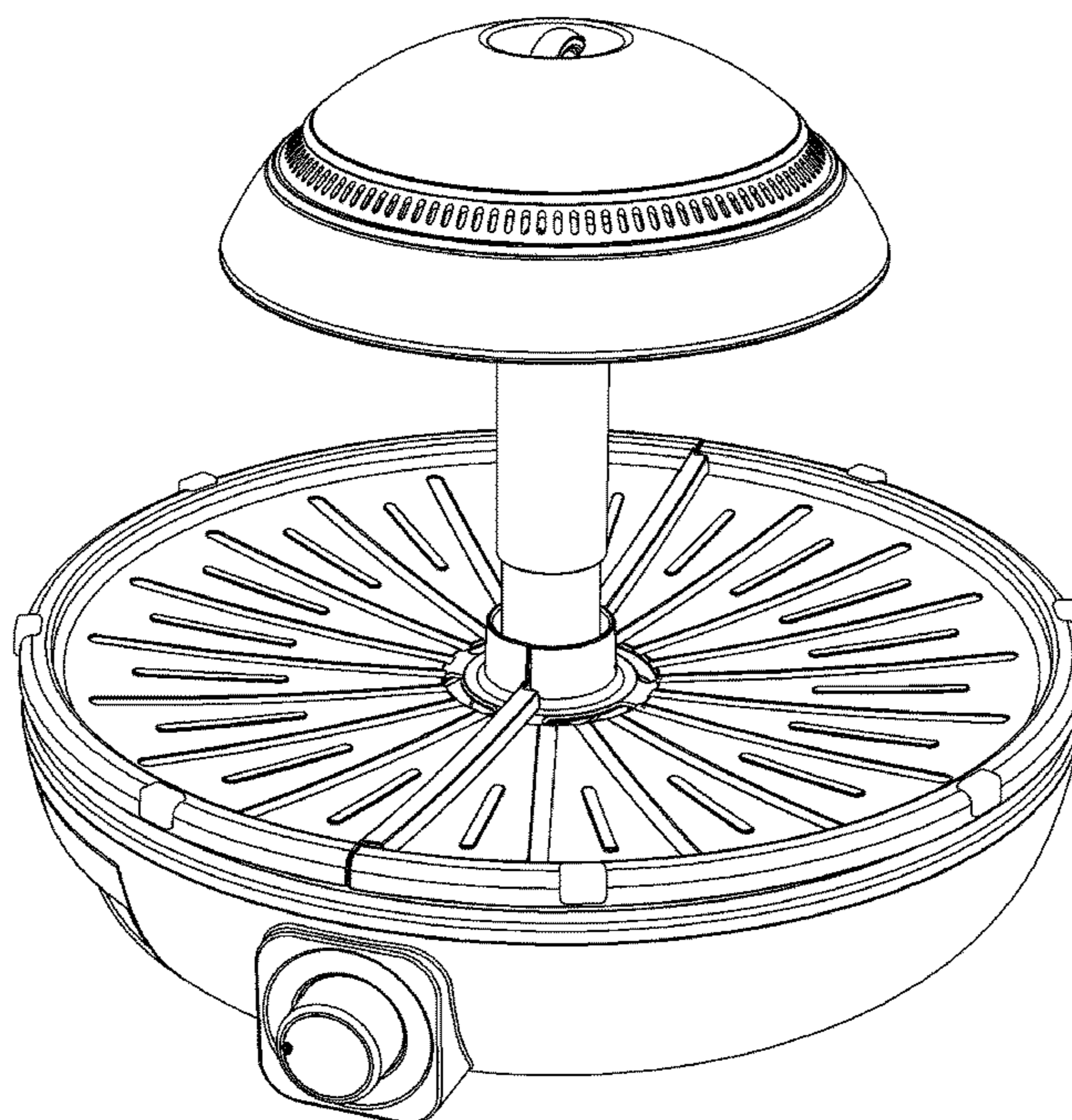
(57) **CLAIM**

I claim, the ornamental design for an infrared heating cooker, as shown and described.

**DESCRIPTION**

FIG. 1 is a top and front perspective view of an infrared heating cooker, showing my new design;  
FIG. 2 is a front view thereof;  
FIG. 3 is a rear view thereof;  
FIG. 4 is a left side view thereof;  
FIG. 5 is a right side view thereof;  
FIG. 6 is a top plan view thereof; and,  
FIG. 7 is a bottom plan view thereof.

**1 Claim, 7 Drawing Sheets**



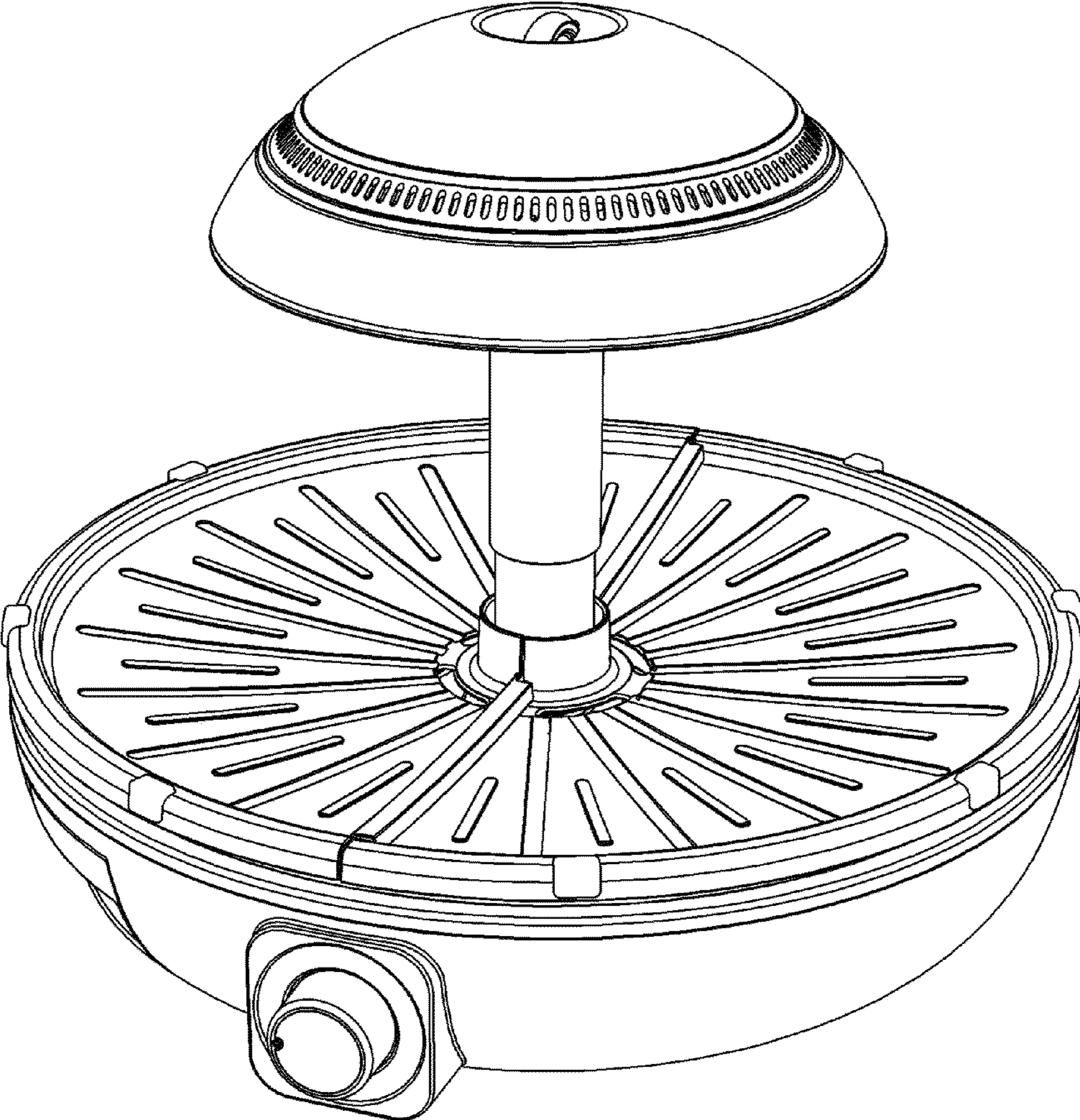


FIG. 1

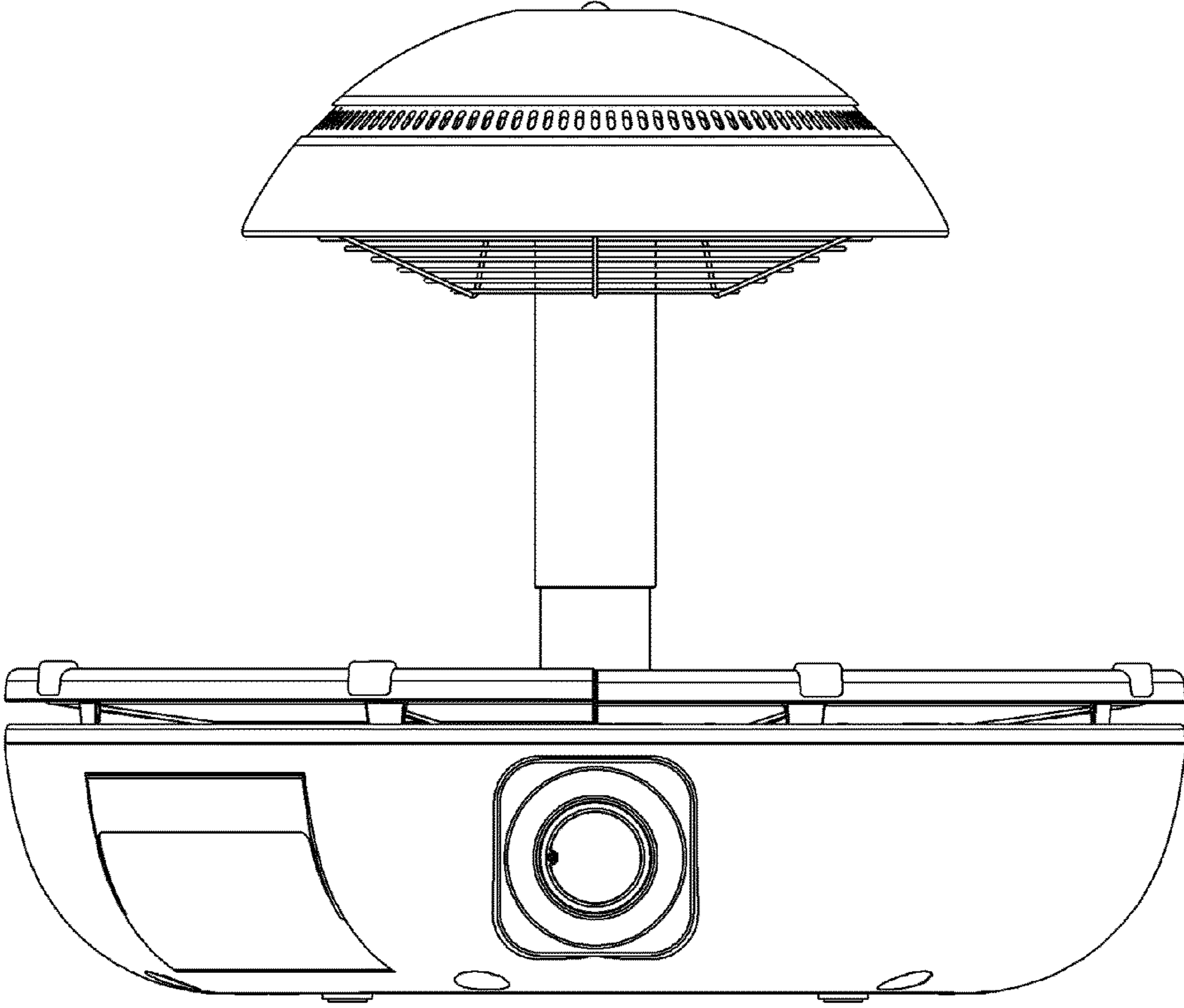


FIG. 2



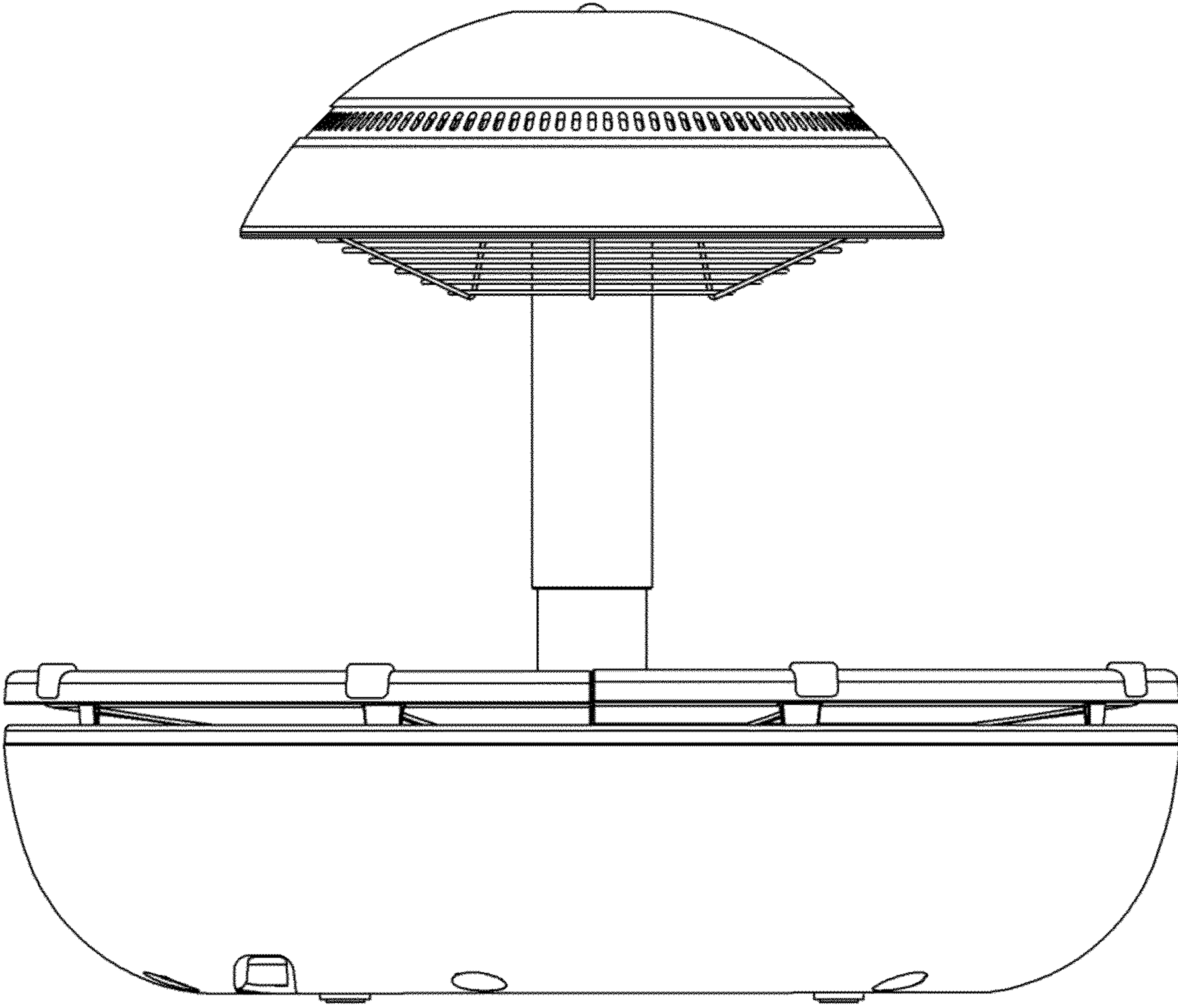


FIG. 3

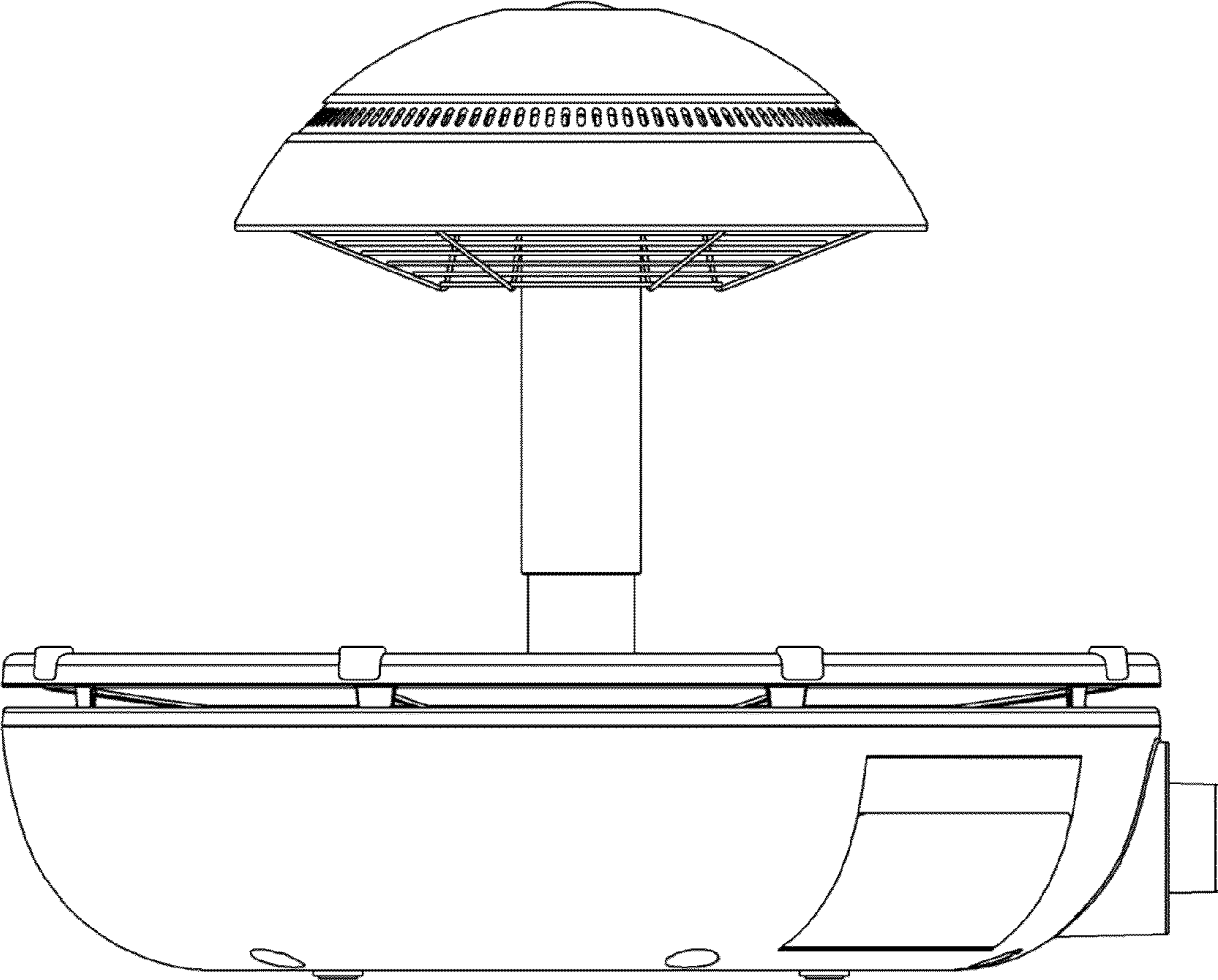


FIG. 4

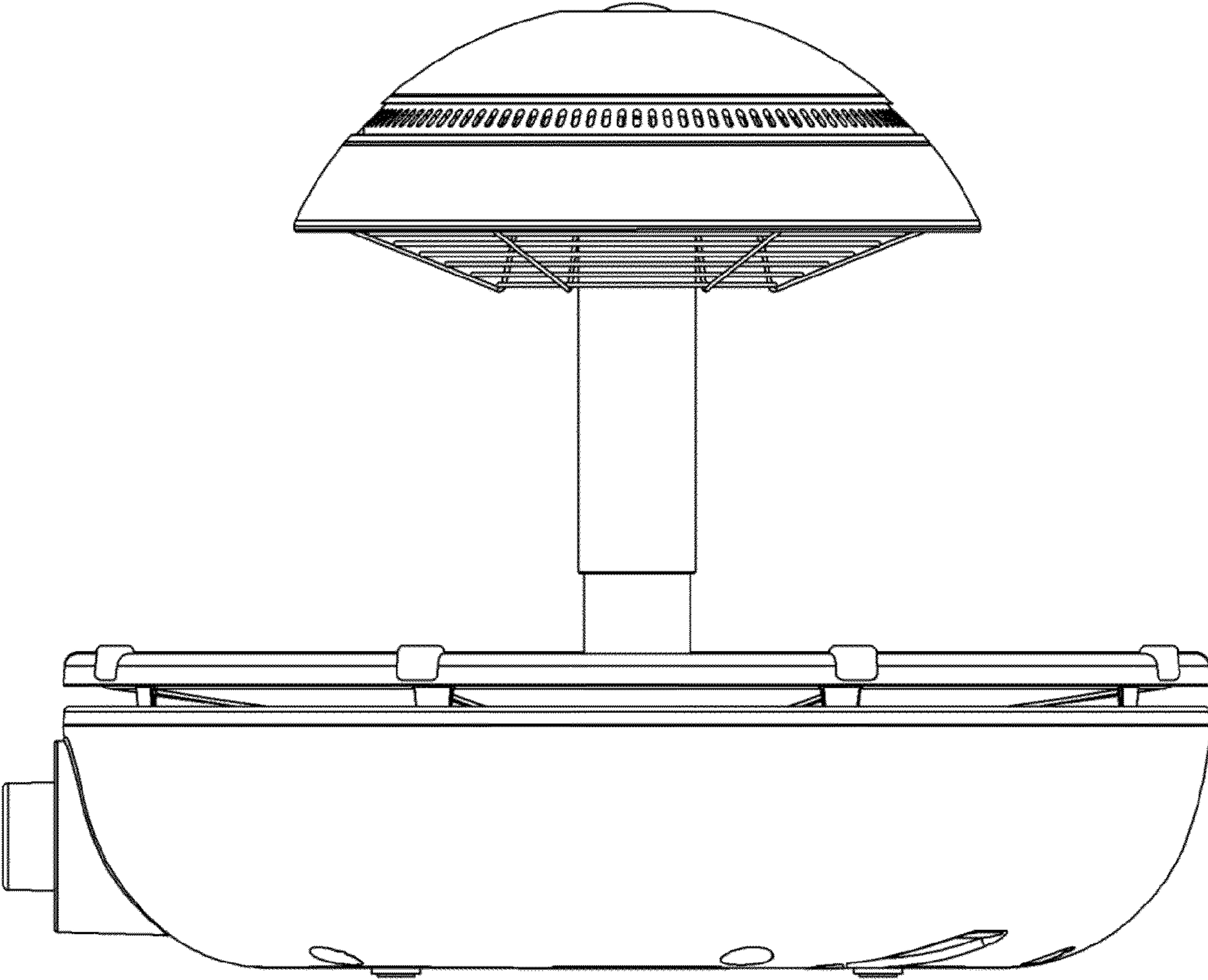


FIG. 5

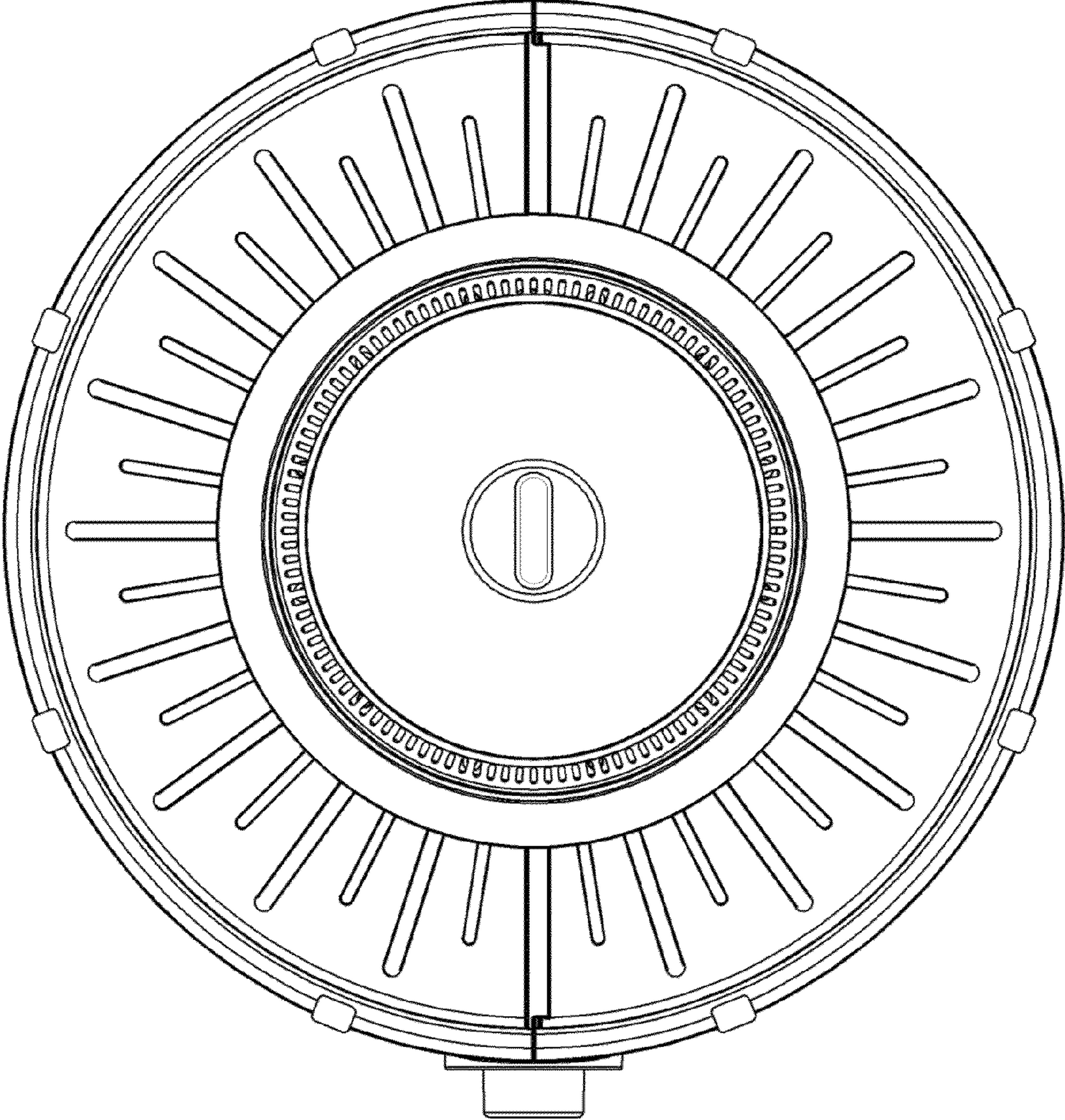


FIG. 6



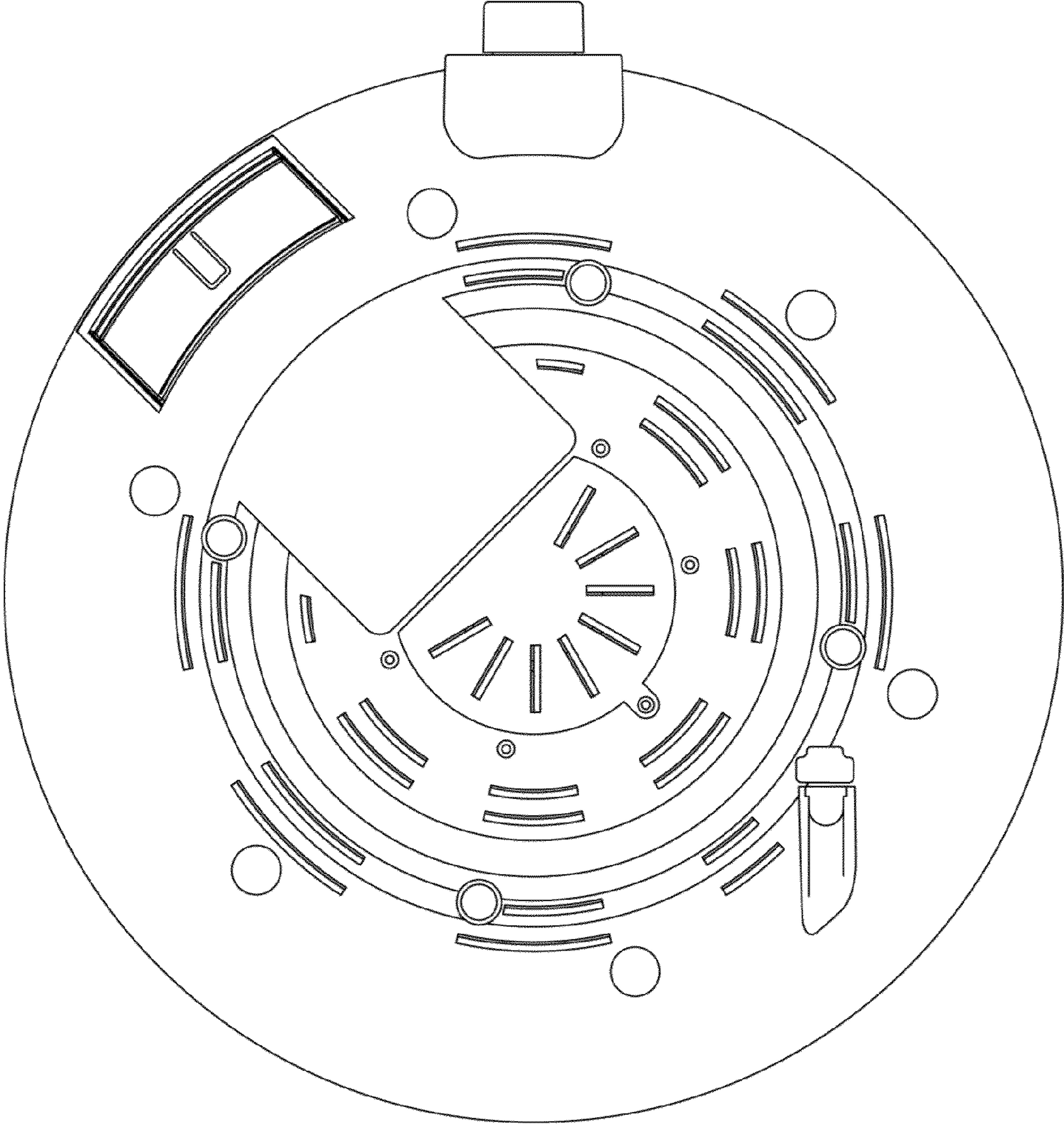


FIG. 7