



US00D743733S

(12) **United States Design Patent**
Lee

(10) **Patent No.:** **US D743,733 S**
(45) **Date of Patent:** **** Nov. 24, 2015**

(54) **INFRARED HEATING COOKER**

(71) Applicant: **Jin Hee Lee**, Seoul (KR)

(72) Inventor: **Jin Hee Lee**, Seoul (KR)

(**) Term: **14 Years**

(21) Appl. No.: **29/492,796**

(22) Filed: **Jun. 3, 2014**

(30) **Foreign Application Priority Data**

Feb. 6, 2014 (KR) 30-2014-0006046

(51) **LOC (10) Cl.** **07-02**

(52) **U.S. Cl.**
USPC **D7/362**

(58) **Field of Classification Search**
USPC D7/323, 337, 339, 341, 352, 354–355,
D7/362–367, 409–411
CPC A21B 1/06; A21B 1/50; A21B 1/52;
A47J 37/04; A47J 37/06; A47J 37/015;
A47J 37/067; A47J 37/0605; A47J 37/0611;
A47J 37/0629; A47J 37/0676; F24C 7/06;
F24C 7/083; F24C 15/02; F24C 15/166;
H05B 3/20; H05B 3/40

See application file for complete search history.

(56) **References Cited**

U.S. PATENT DOCUMENTS

D439,792	S	*	4/2001	Hedrington et al.	D7/323
D458,078	S	*	6/2002	Lin	D7/362
D653,904	S	*	2/2012	Lee	D7/362
D661,542	S	*	6/2012	Lee	D7/362
D688,086	S	*	8/2013	Lee	D7/362
D688,087	S	*	8/2013	Lee	D7/362
D688,088	S	*	8/2013	Lee	D7/362
D688,089	S	*	8/2013	Lee	D7/362
D688,090	S	*	8/2013	Lee	D7/362
8,640,607	B2	*	2/2014	Lee	99/357
8,761,588	B2	*	6/2014	Lee	392/418
D710,144	S	*	8/2014	Lee	D7/362
2010/0229733	A1	*	9/2010	Castillo	99/448

* cited by examiner

Primary Examiner — Ricky Pham

(74) *Attorney, Agent, or Firm* — Kile Park Reed & Houtteman PLLC

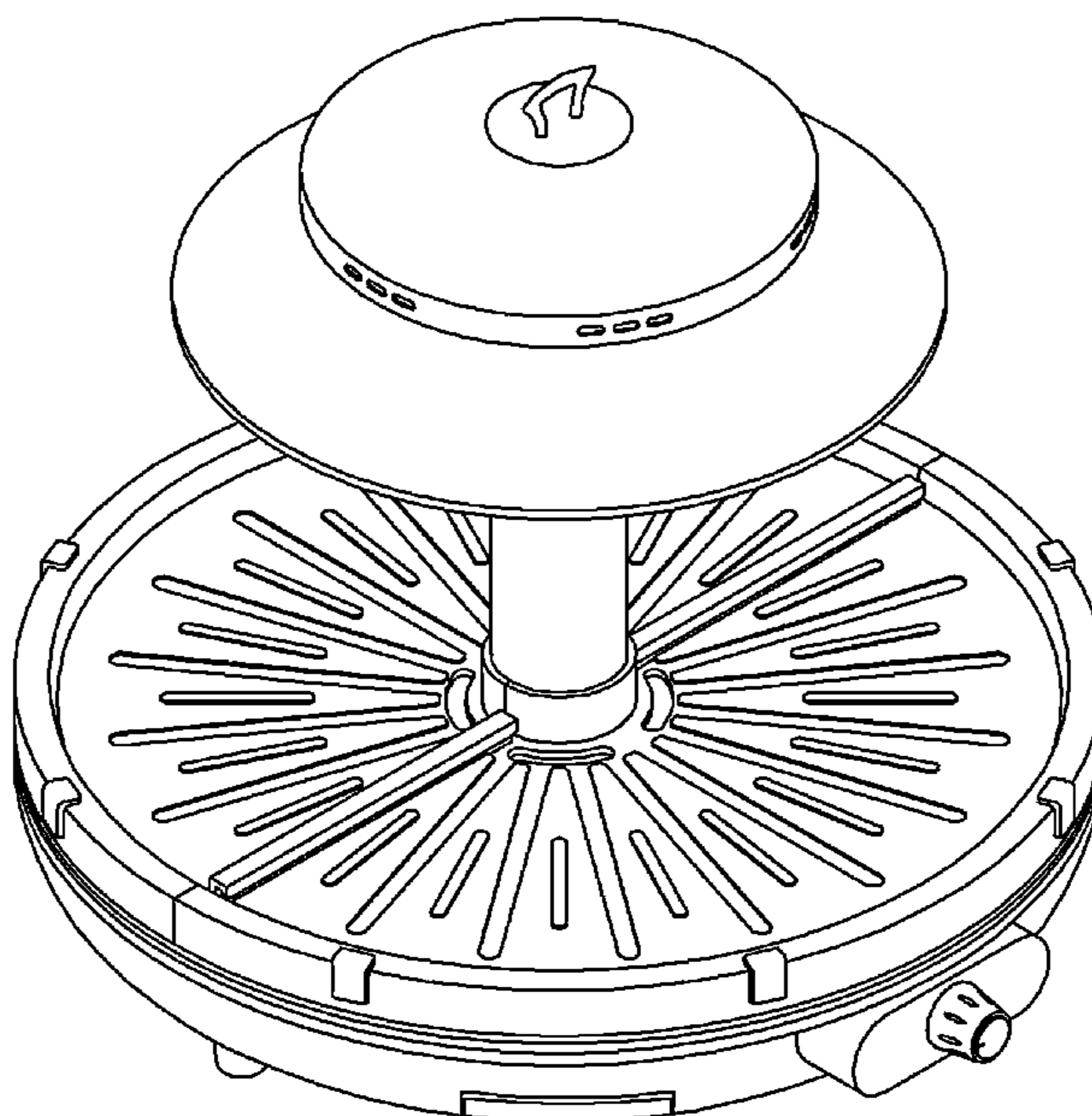
(57) **CLAIM**

I claim, the ornamental design for an infrared heating cooker, as shown and described.

DESCRIPTION

FIG. 1 is a top and front perspective view of an infrared heating cooker, showing my new design;
FIG. 2 is a front view thereof;
FIG. 3 is a rear view thereof;
FIG. 4 is a left side view thereof;
FIG. 5 is a right side view thereof;
FIG. 6 is a top plan view thereof; and,
FIG. 7 is a bottom plan view thereof.

1 Claim, 7 Drawing Sheets



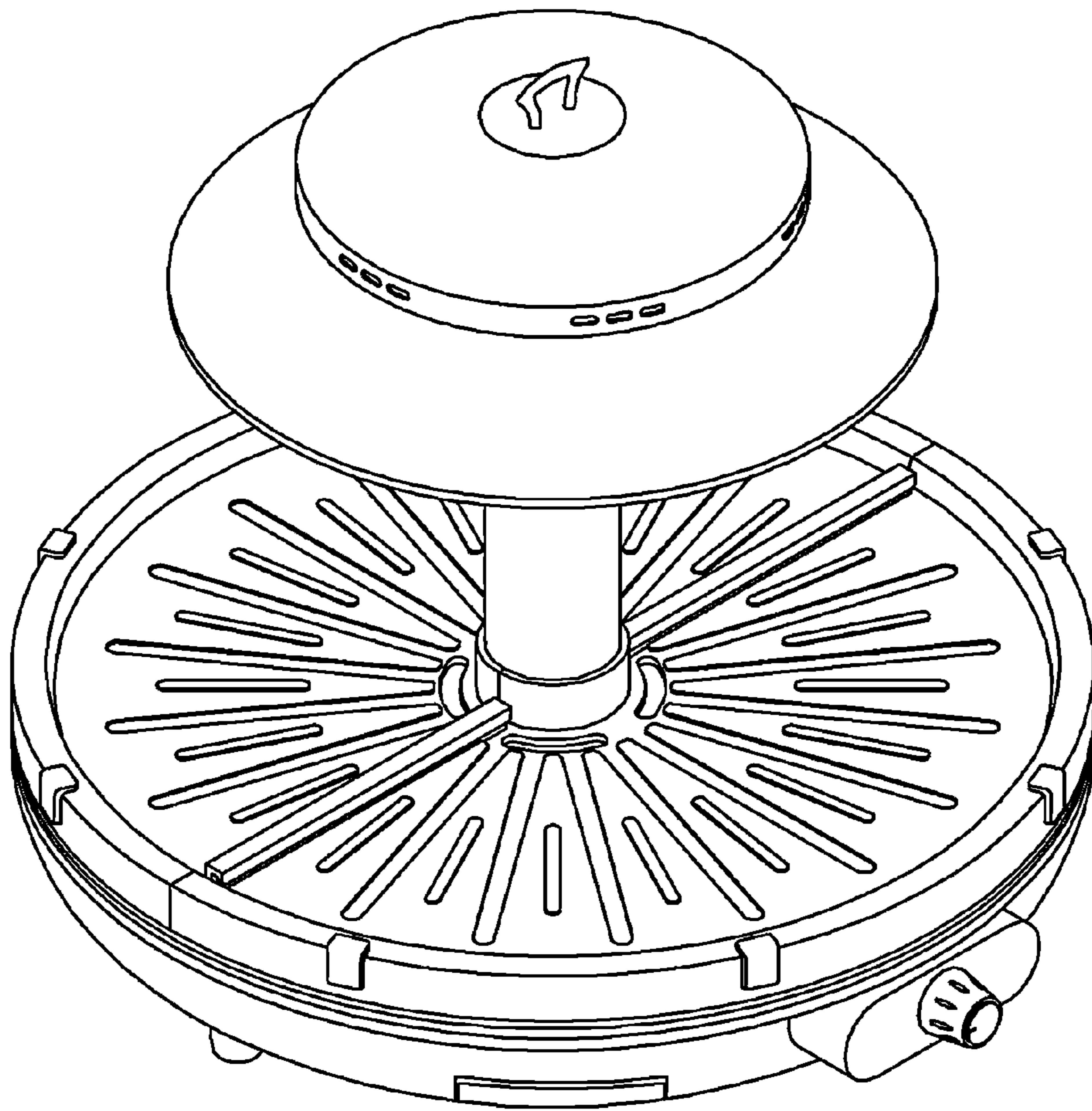


FIG. 1

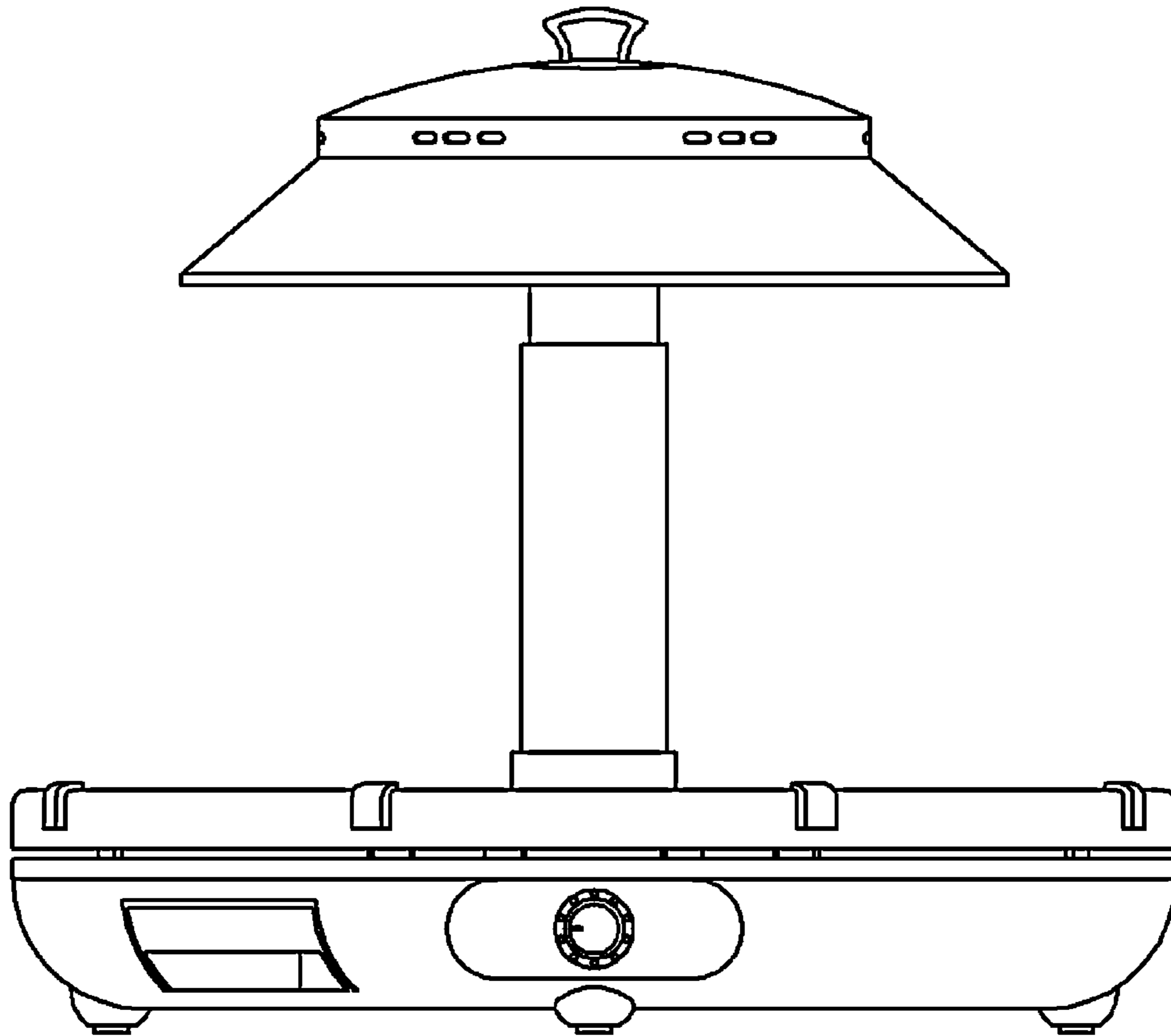


FIG. 2

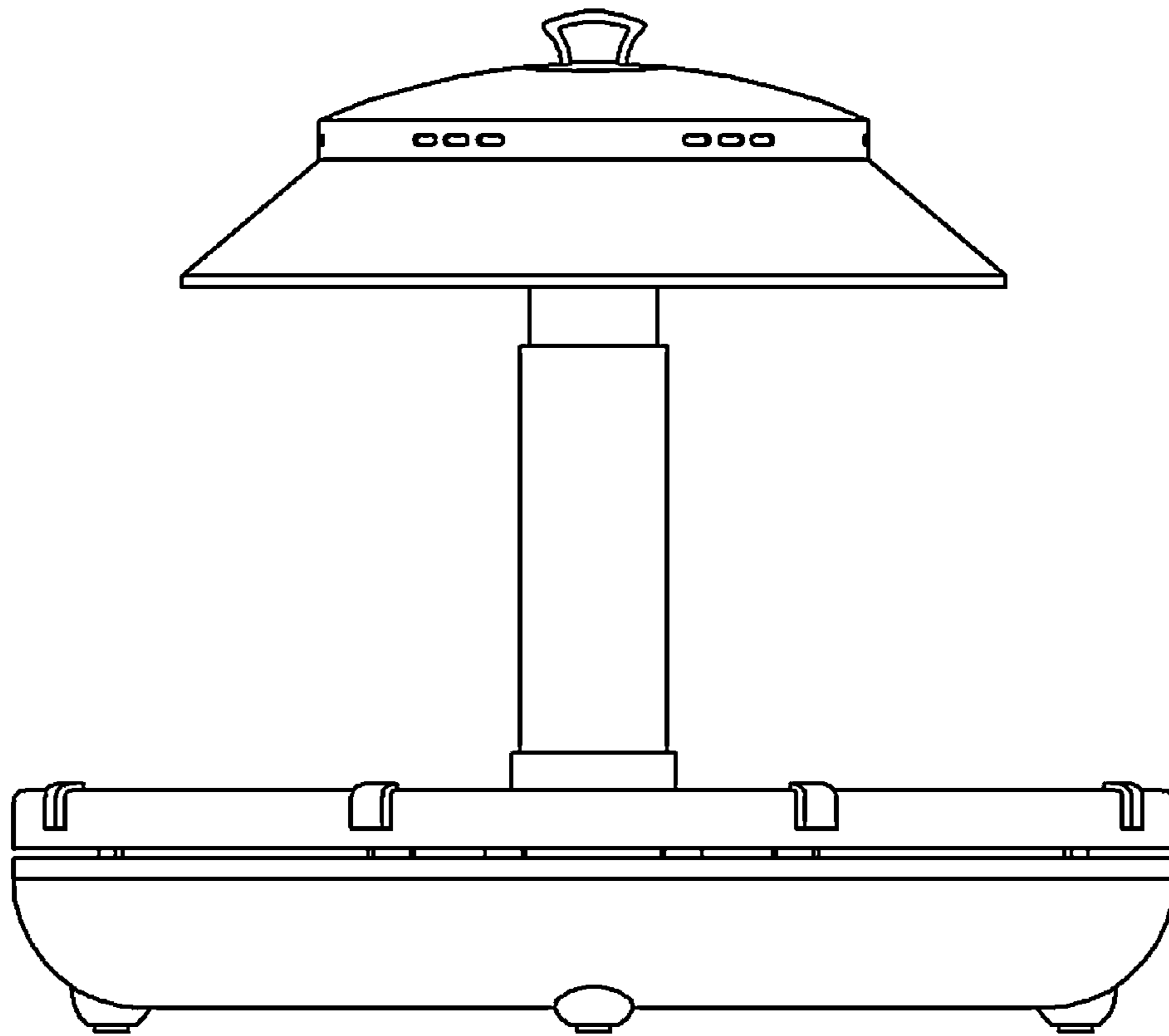


FIG. 3

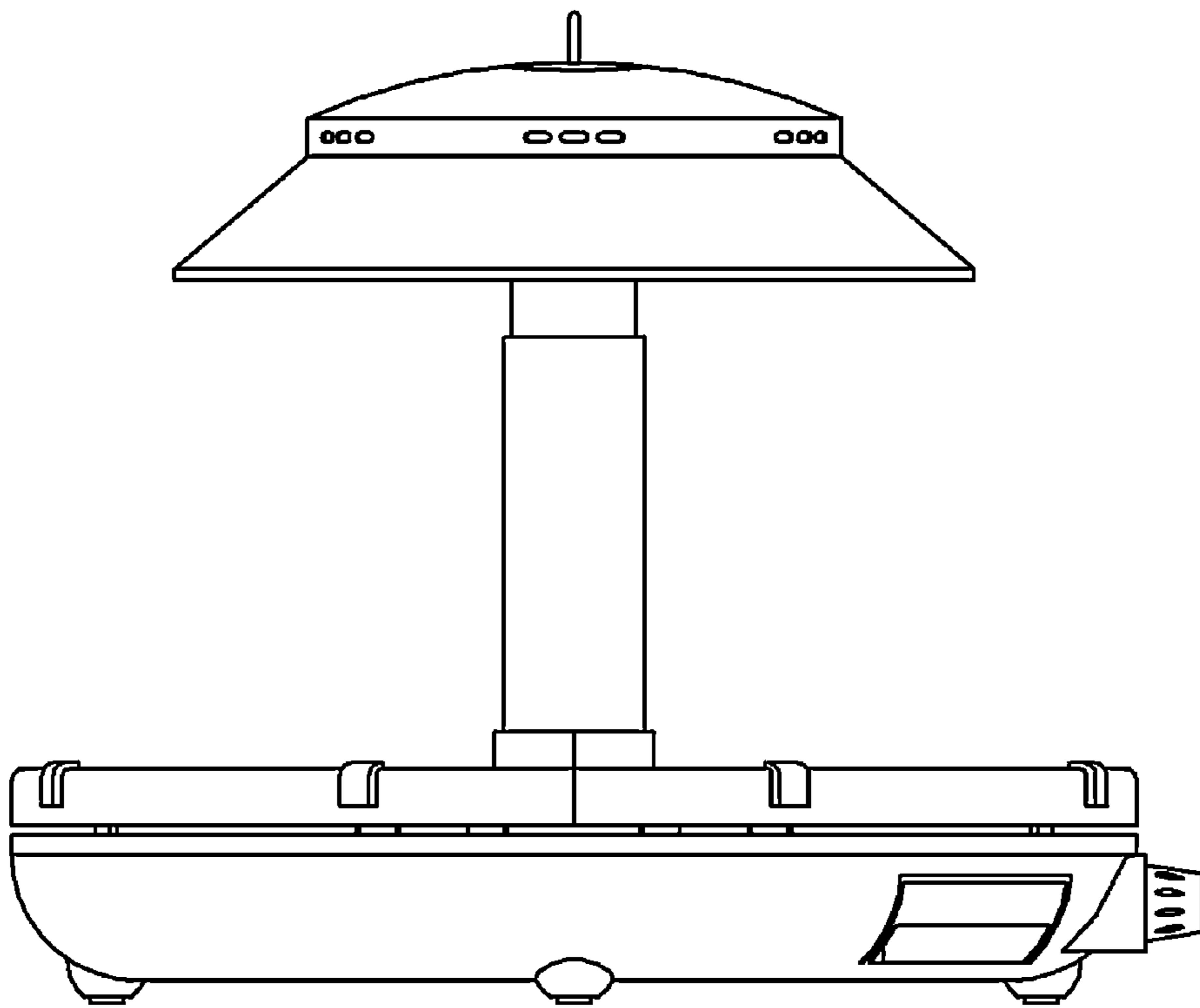


FIG. 4

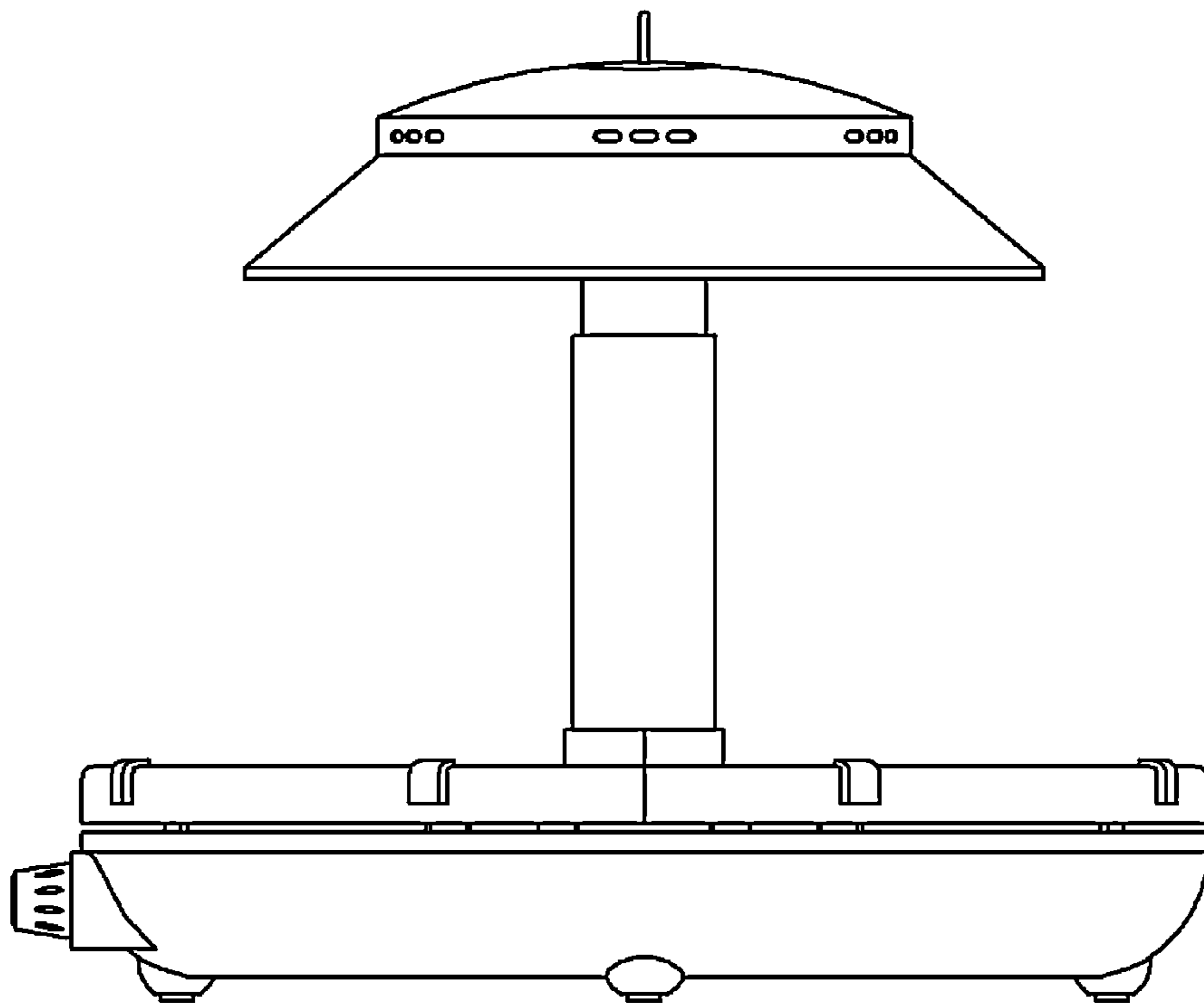


FIG. 5

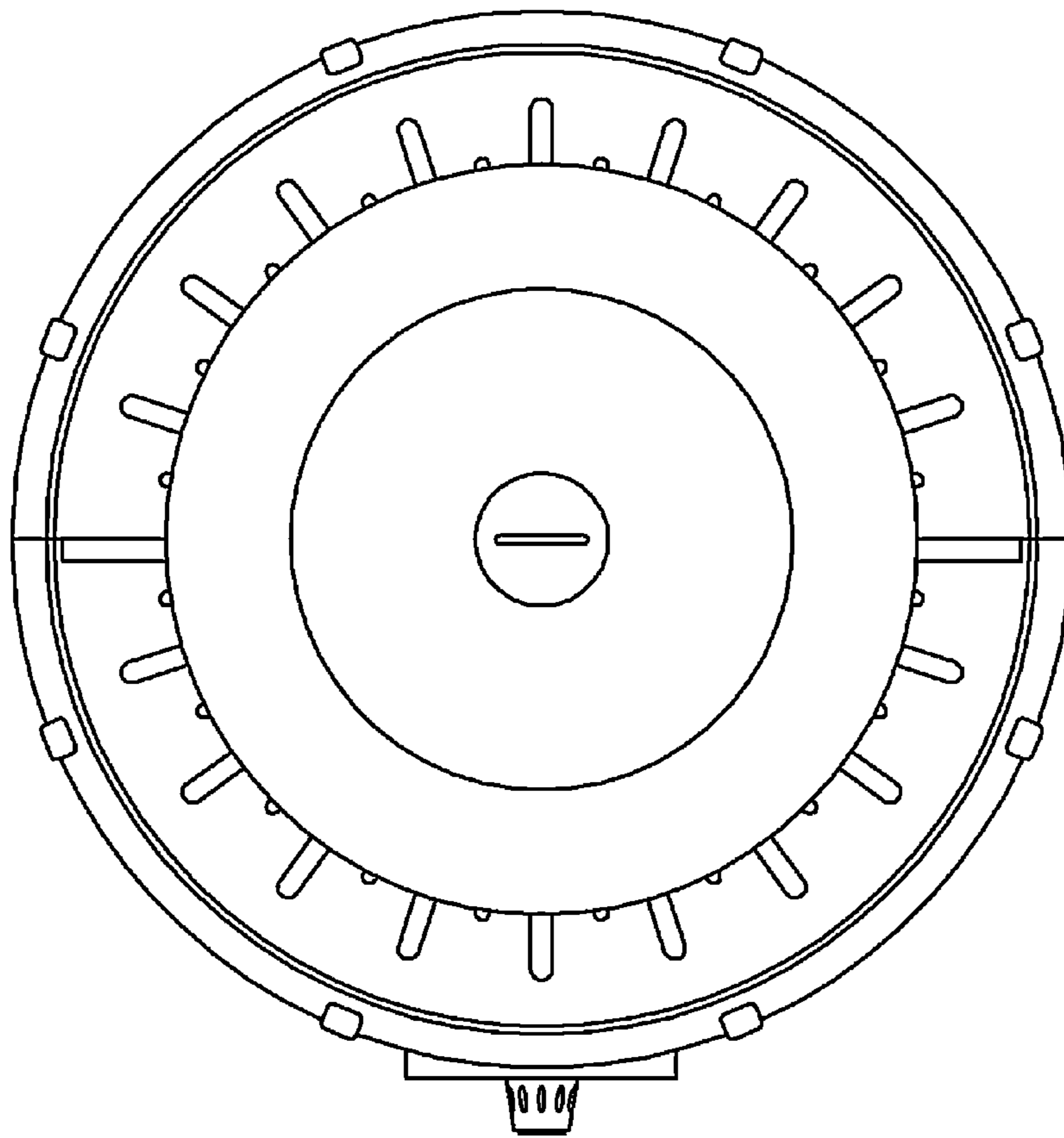


FIG. 6

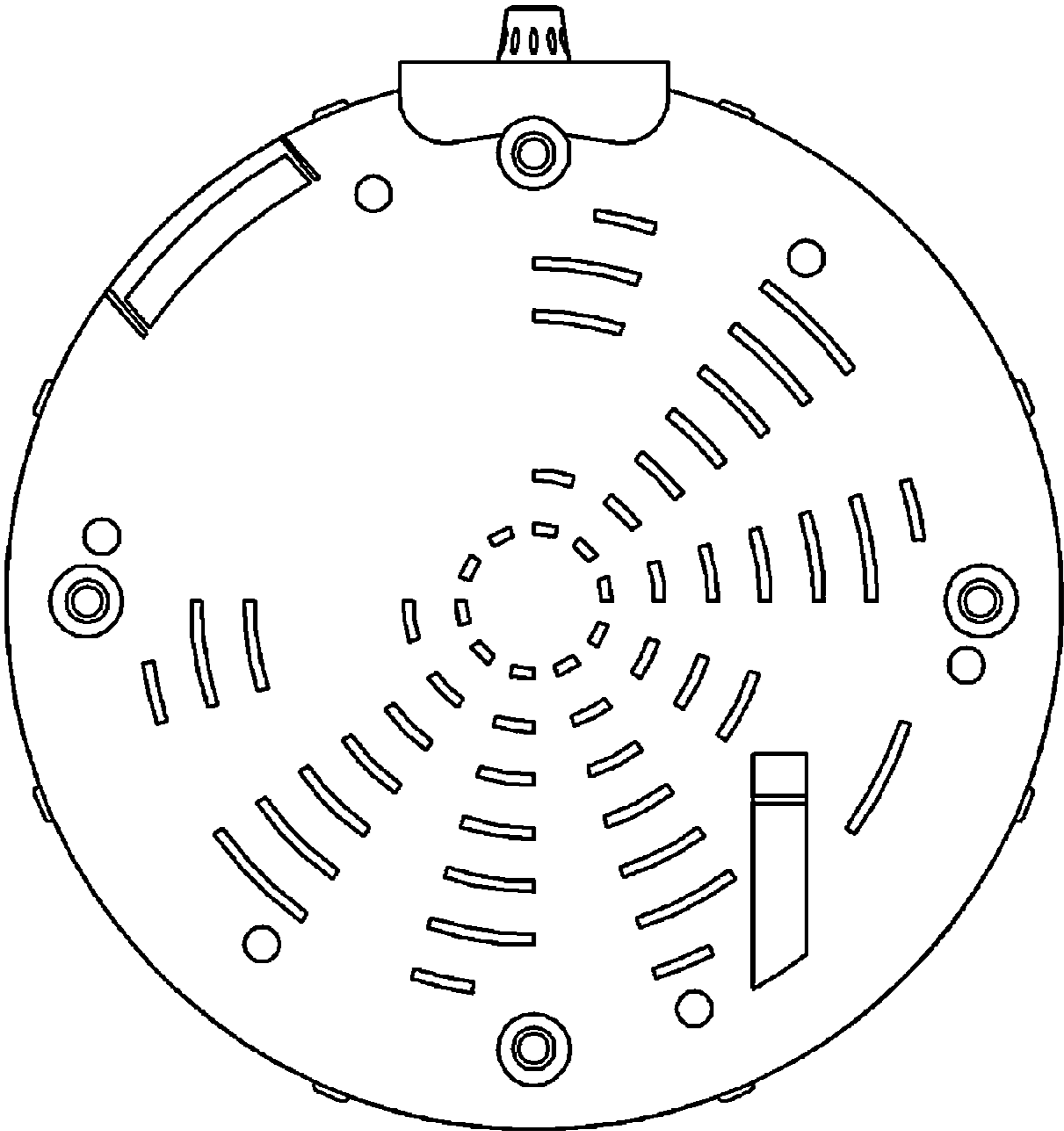


FIG. 7