



US00D743726S

(12) **United States Design Patent**
Yeh

(10) **Patent No.:** **US D743,726 S**

(45) **Date of Patent:** **** Nov. 24, 2015**

(54) **CHAISE LOUNGE AND LOVE SEAT**

(71) Applicant: **Michael Yeh**, Santa Fe Springs, CA (US)

(72) Inventor: **Michael Yeh**, Santa Fe Springs, CA (US)

(73) Assignee: **COA, INC.**, Santa Fe Springs, CA (US)

(**) Term: **14 Years**

(21) Appl. No.: **29/470,151**

(22) Filed: **Oct. 17, 2013**

(51) **LOC (10) Cl.** **06-01**

(52) **U.S. Cl.**
USPC **D6/716**

(58) **Field of Classification Search**
USPC D6/334-336, 361, 368, 374-381, 716,
D6/716.1-716.8
CPC A47C 1/035; A47C 1/143; A47C 4/06;
A47C 4/12; A47C 4/14; A47C 4/28; A47C
4/30; A47C 7/50; A47C 7/506; A61G 5/00
See application file for complete search history.

(56) **References Cited**

U.S. PATENT DOCUMENTS

D339,246 S *	9/1993	Hutton	D6/377
D390,029 S *	2/1998	Hutton	D6/377
D431,381 S *	10/2000	Gomez	D6/361
D439,071 S *	3/2001	D'Urso et al.	D6/381
D484,712 S *	1/2004	Gomez	D6/377
D519,743 S *	5/2006	Suzuki et al.	D6/381
D544,233 S *	6/2007	Hutton	D6/378

D589,714 S *	4/2009	Cazares et al.	D6/381
D629,221 S *	12/2010	Starck	D6/334
D634,569 S *	3/2011	Chien	D6/716.4
D648,565 S *	11/2011	Frinier	D6/377
D660,043 S *	5/2012	Nguyen	D6/377
D681,361 S *	5/2013	Silver et al.	D6/377

* cited by examiner

Primary Examiner — Ricky Pham

(74) *Attorney, Agent, or Firm* — Cislo & Thomas, LLP

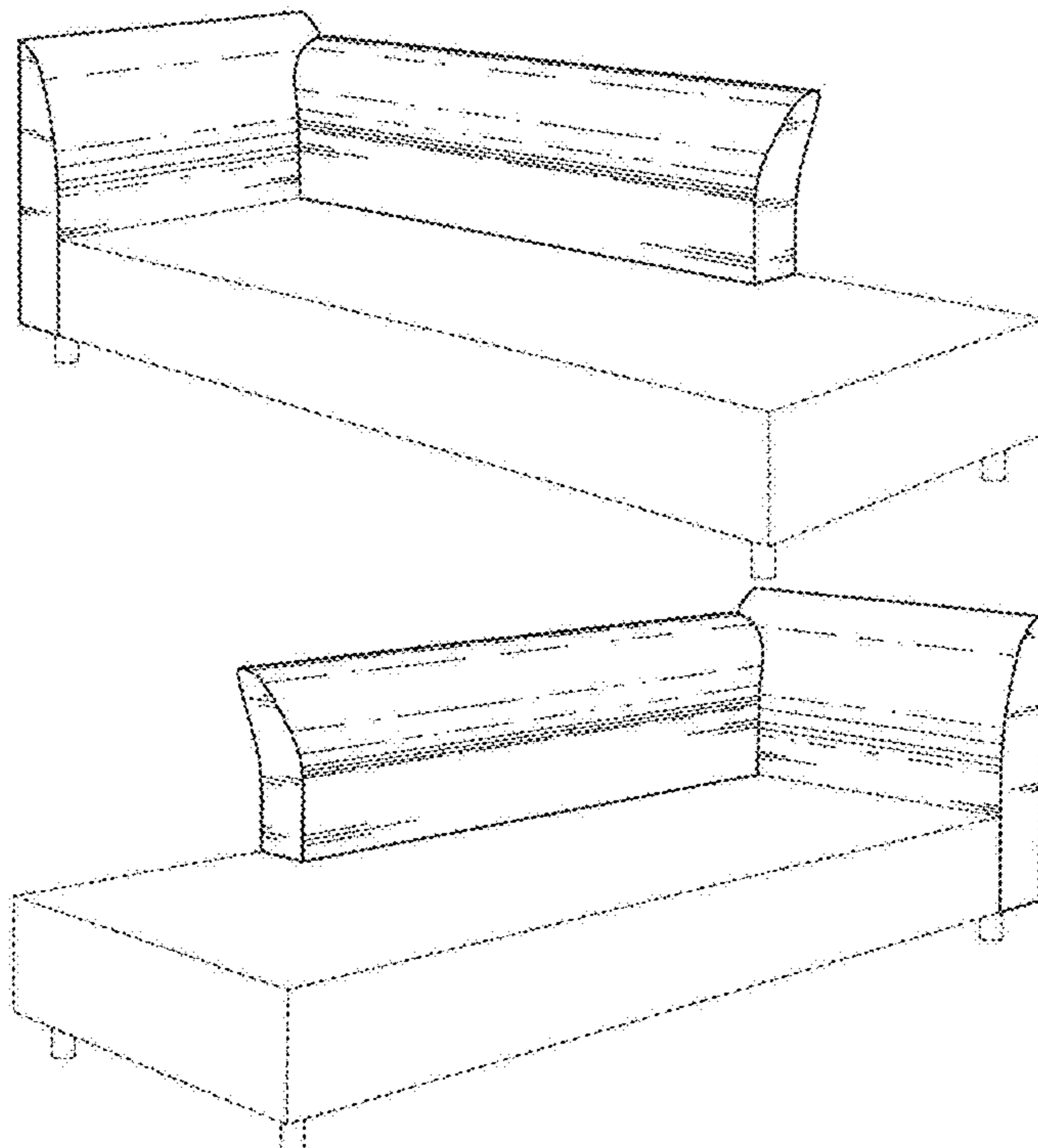
(57) **CLAIM**

The ornamental design for a chaise lounge and love seat, as shown and described.

DESCRIPTION

FIG. 1 is a front perspective view of a first embodiment of a one arm chaise lounge;
 FIG. 2 is a front elevational view thereof;
 FIG. 3 is a rear elevational view thereof;
 FIG. 4 is a left side elevational view thereof;
 FIG. 5 is a right side elevational view thereof;
 FIG. 6 is a top plan view thereof;
 FIG. 7 is a bottom plan view thereof;
 FIG. 8 is a front perspective view of a second embodiment of a one arm chaise lounge;
 FIG. 9 is a front elevational view thereof;
 FIG. 10 is a rear elevational view thereof;
 FIG. 11 is a left side elevational view thereof;
 FIG. 12 is a right side elevational view thereof;
 FIG. 13 is a top plan view thereof; and,
 FIG. 14 is a bottom plan view thereof.
 The broken lines are for environmental purposes only and form no part of the claimed design.

1 Claim, 12 Drawing Sheets



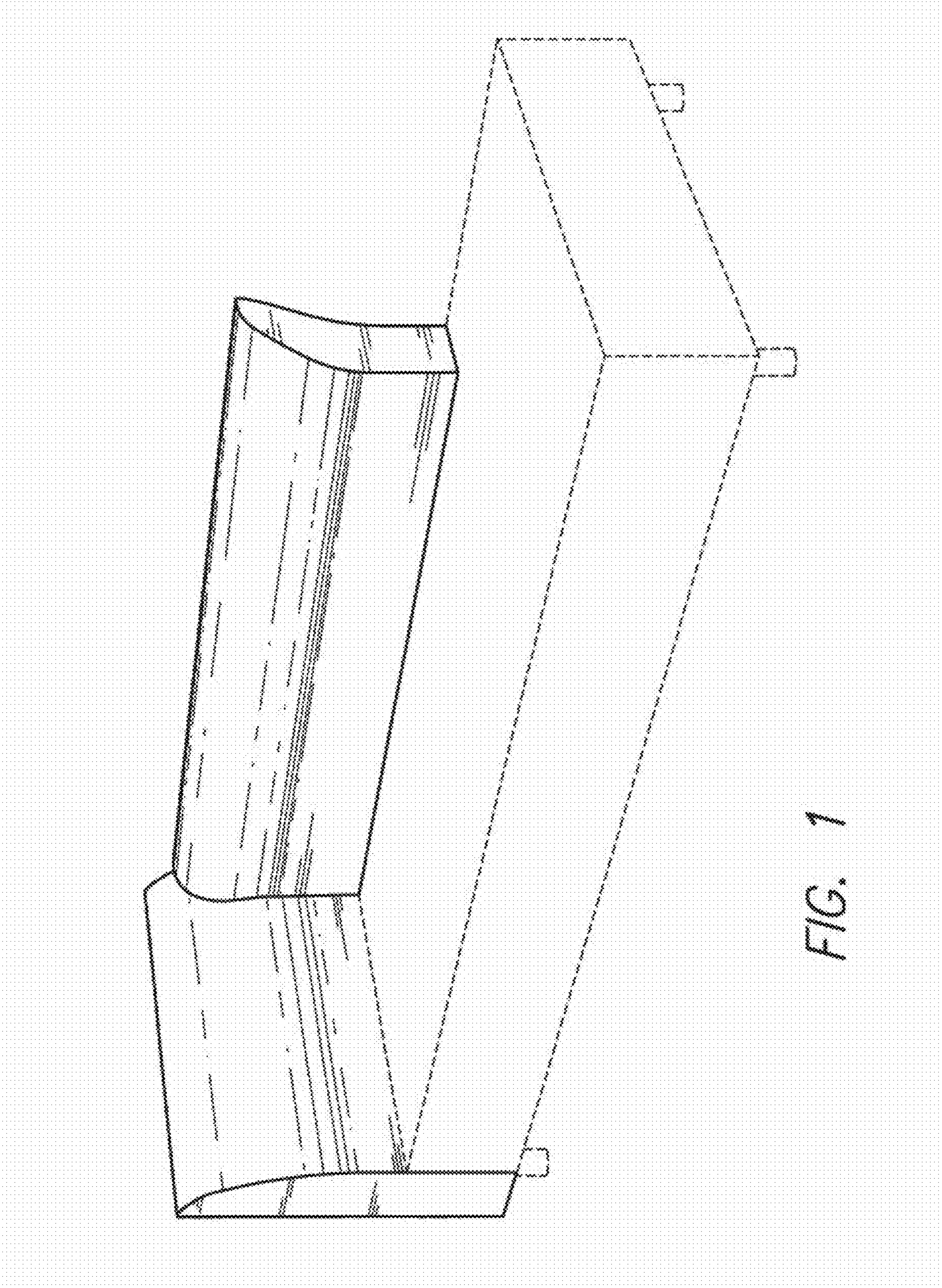


FIG. 1

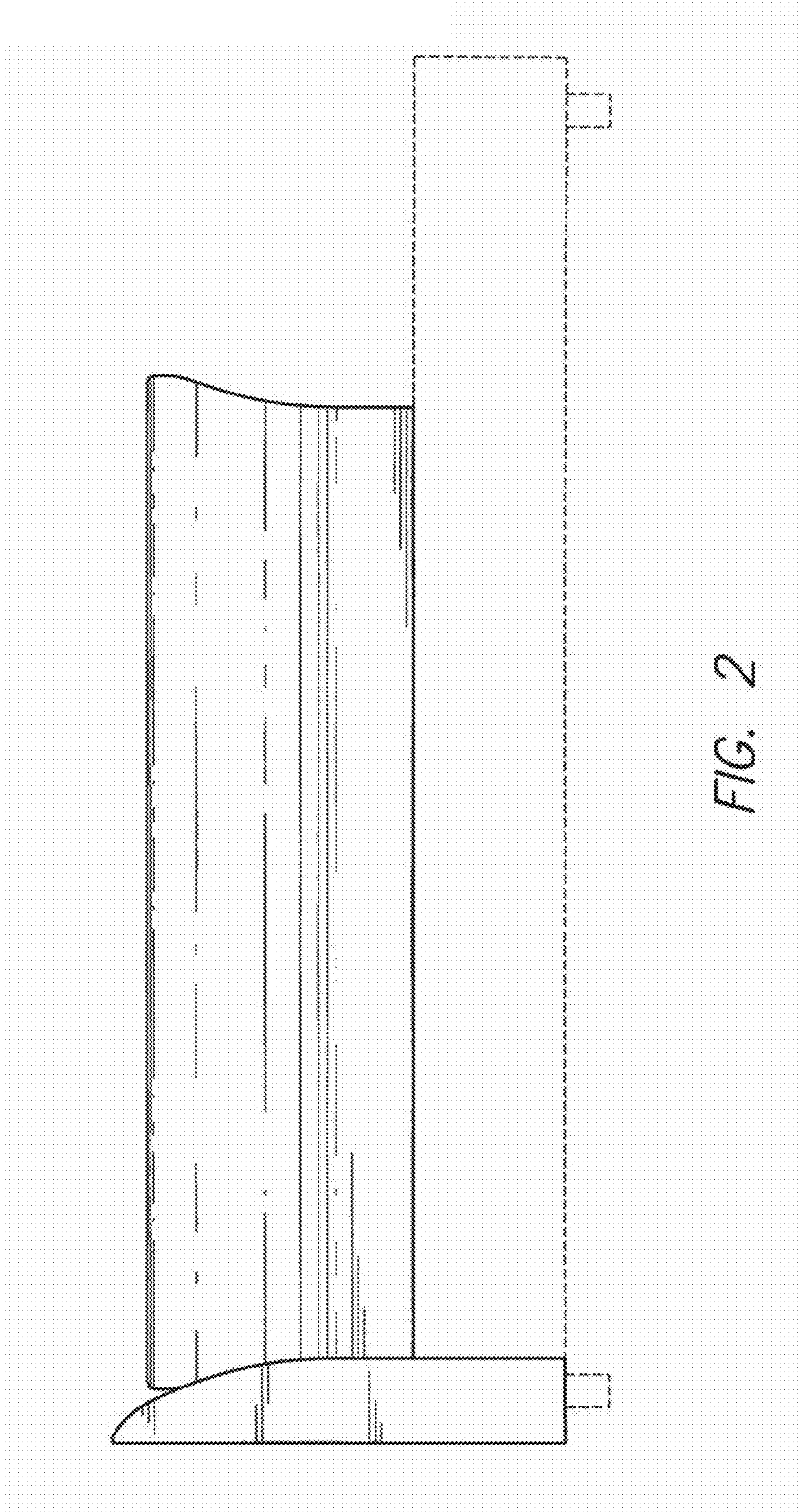


FIG. 2

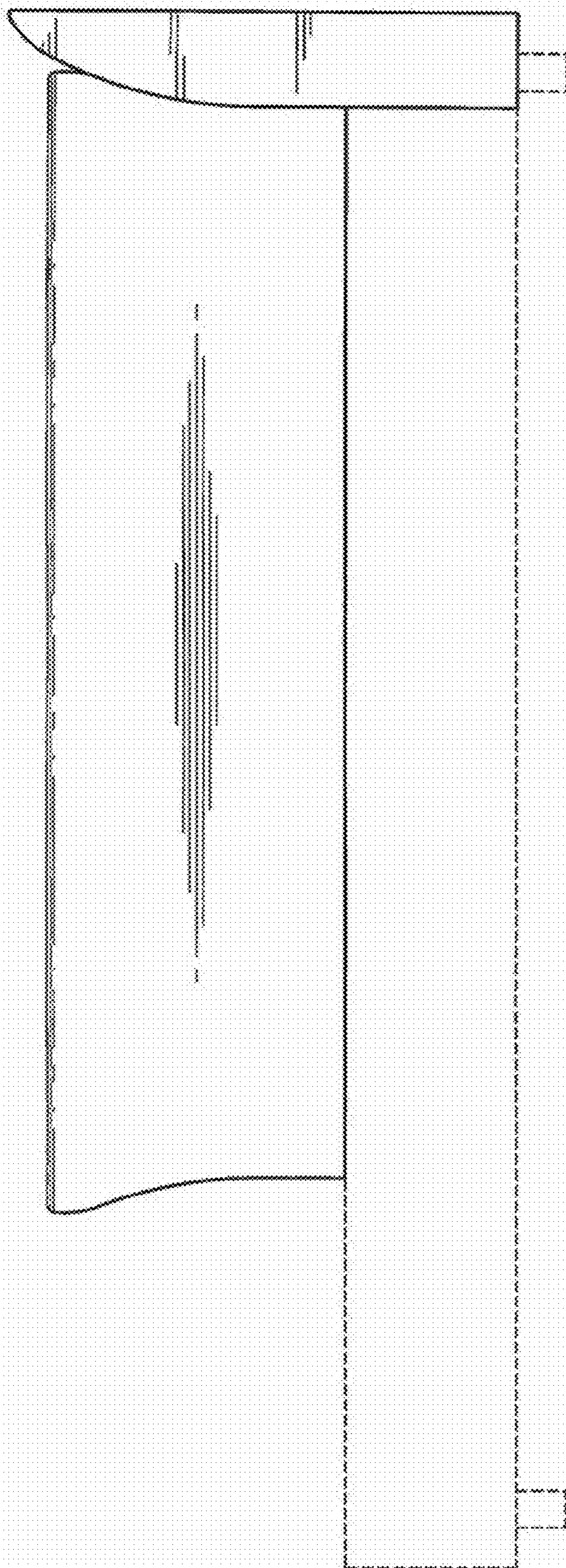


FIG. 3

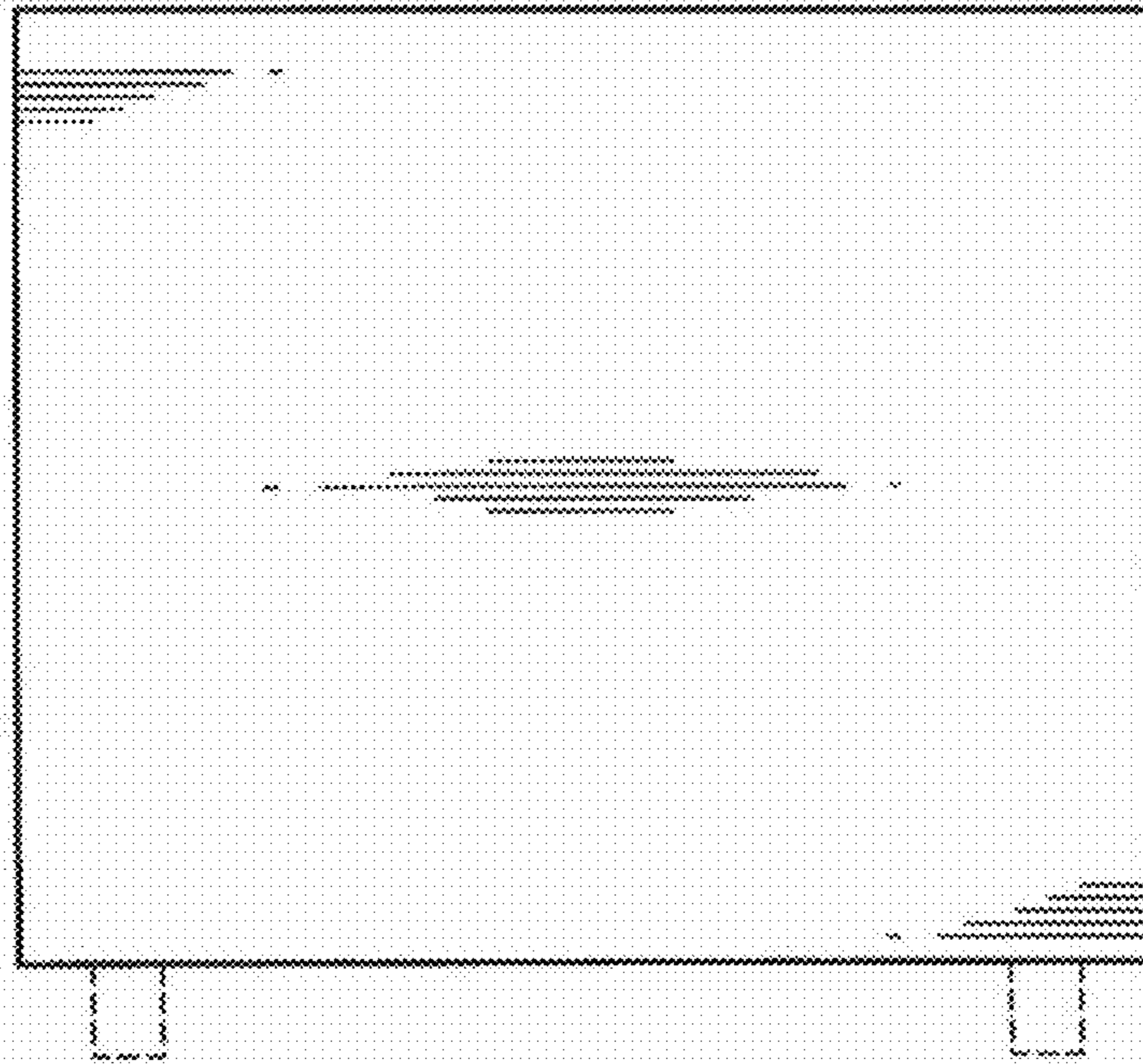


FIG. 4

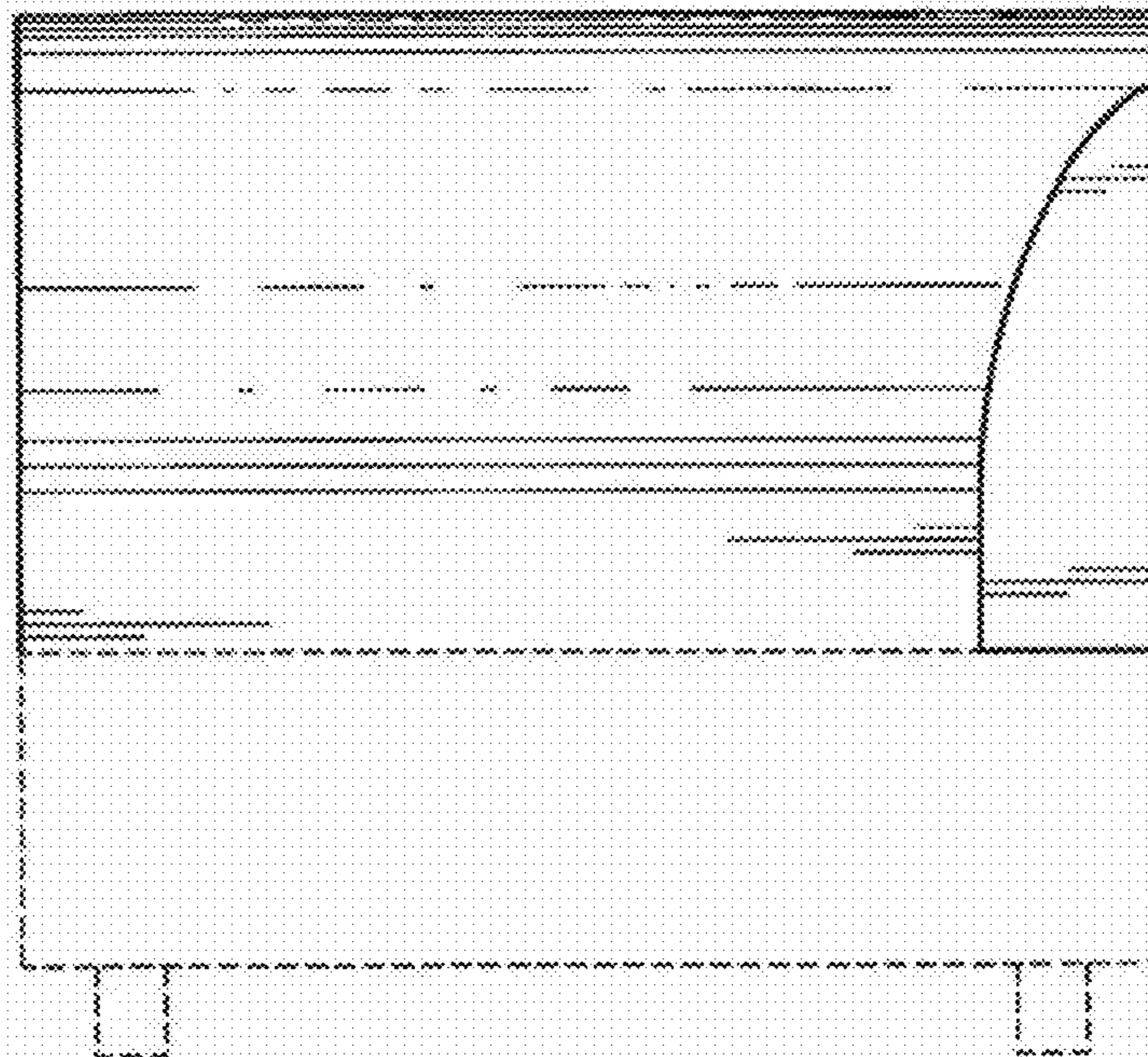


FIG. 5

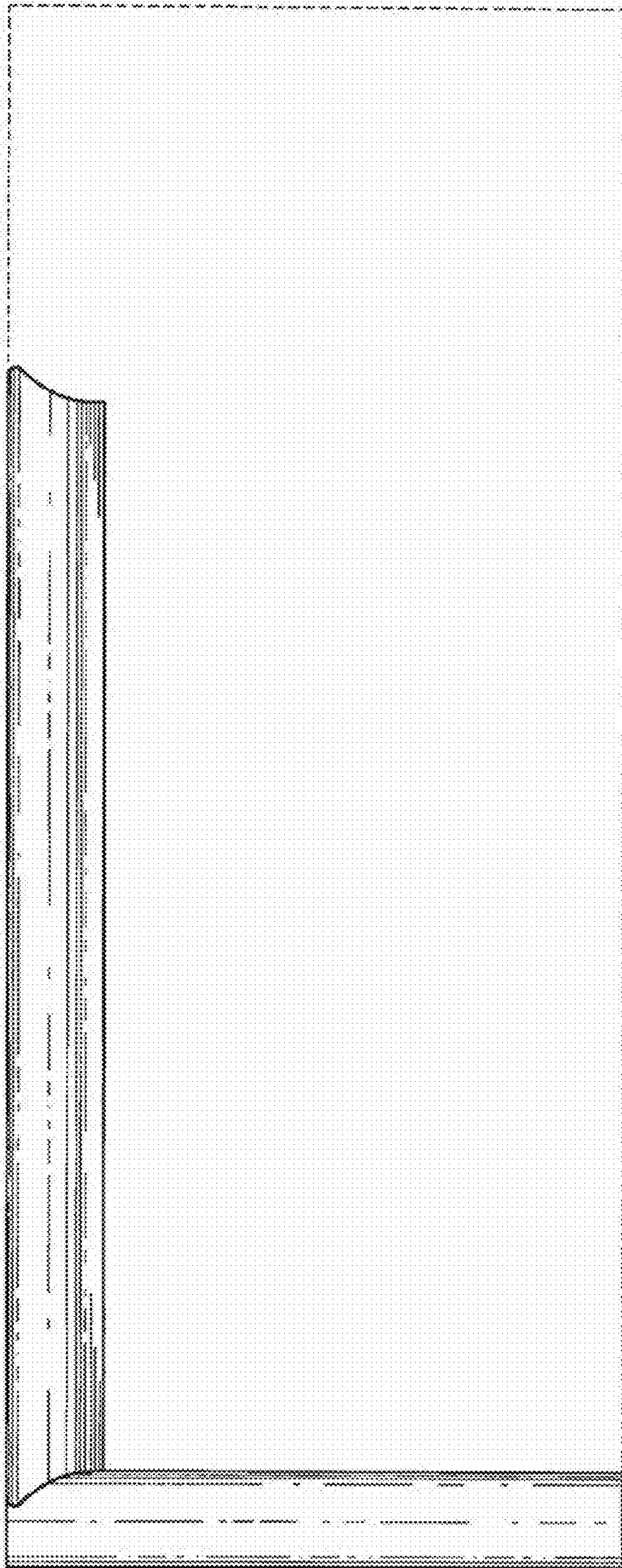


FIG. 6

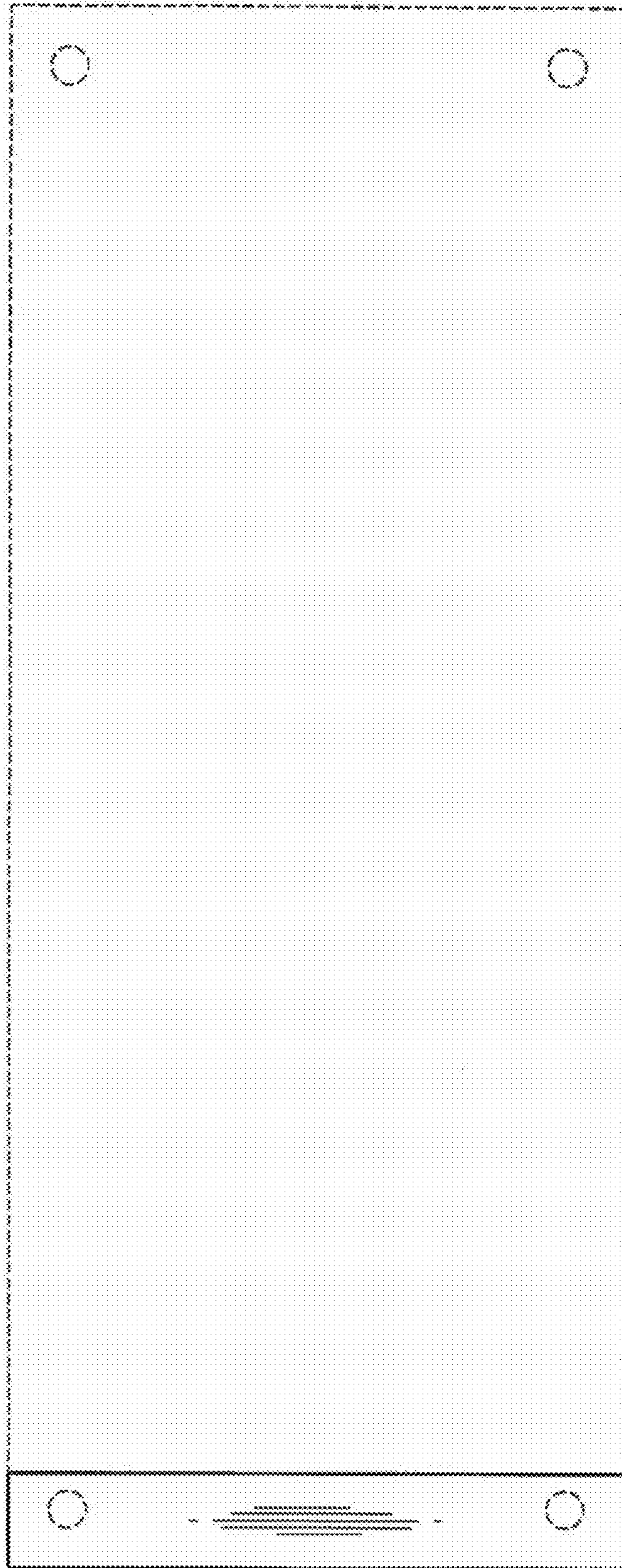


FIG. 7

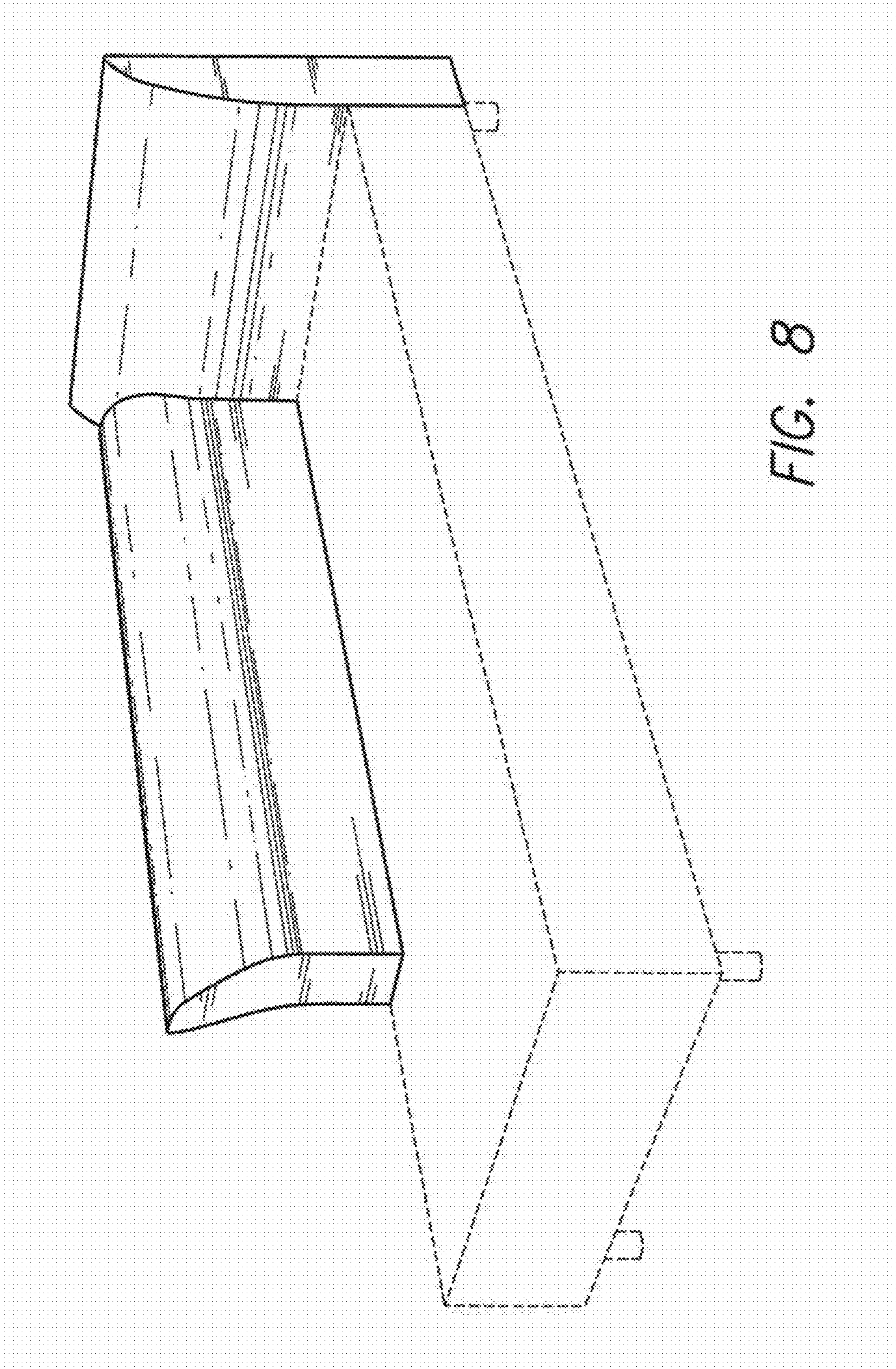


FIG. 8

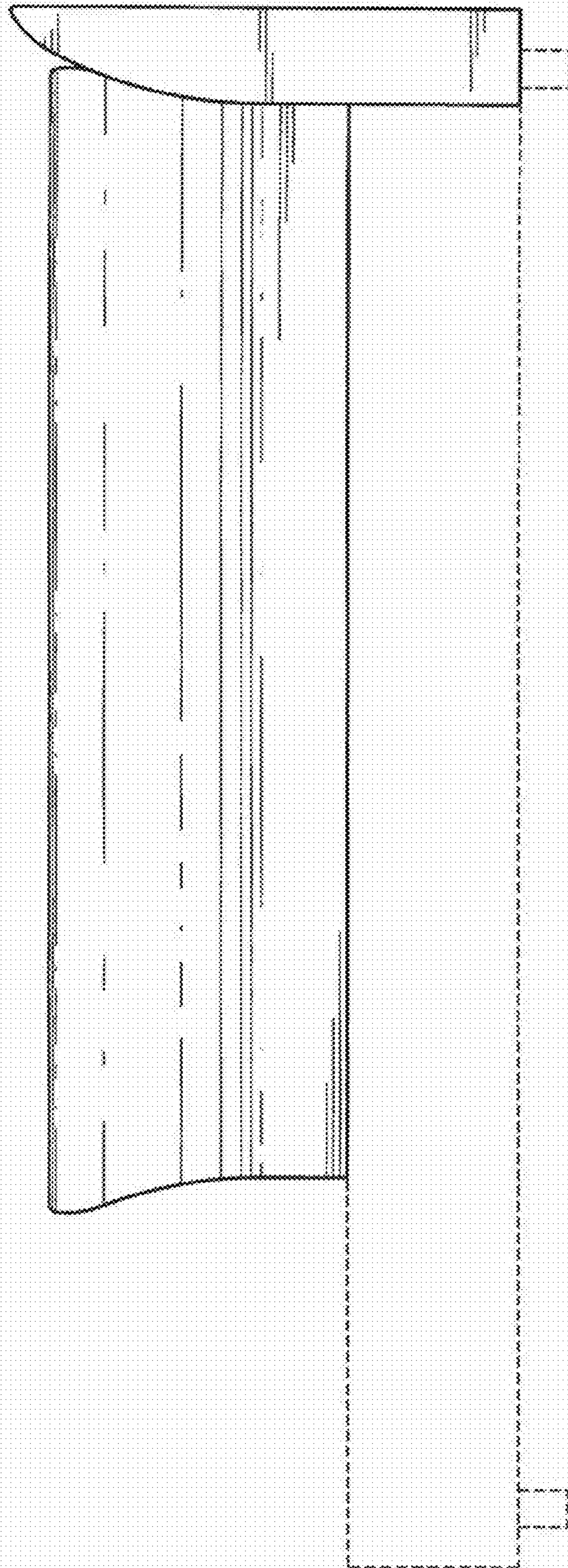


FIG. 9

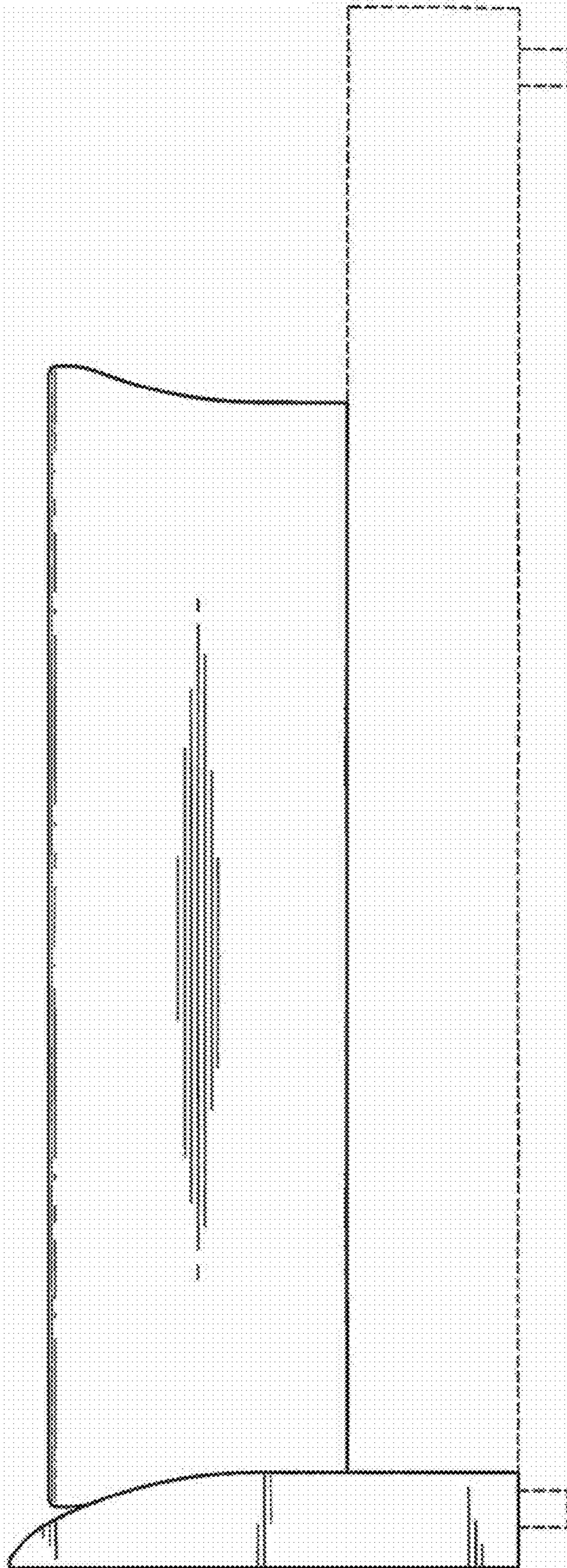


FIG. 10

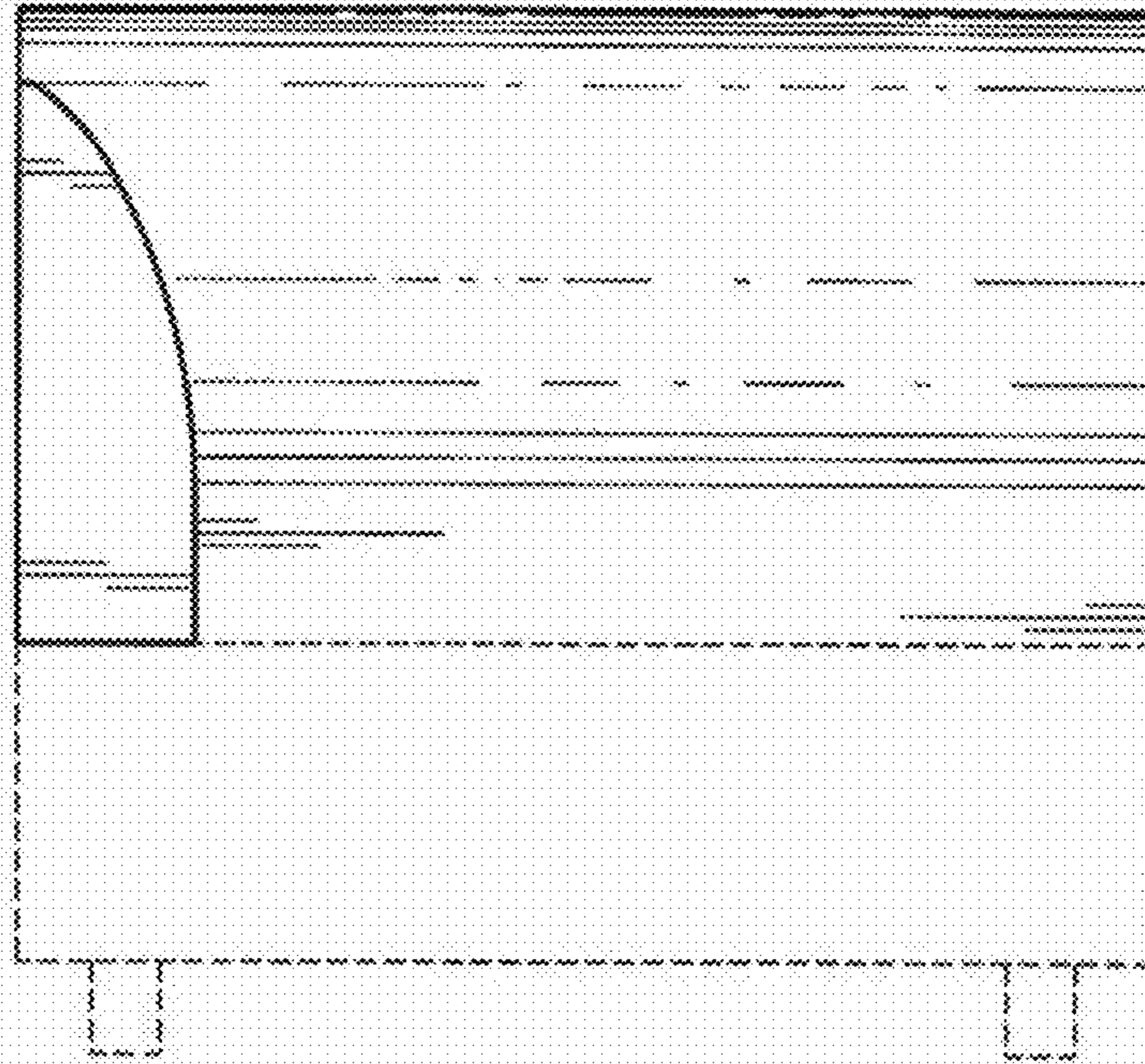


FIG. 11

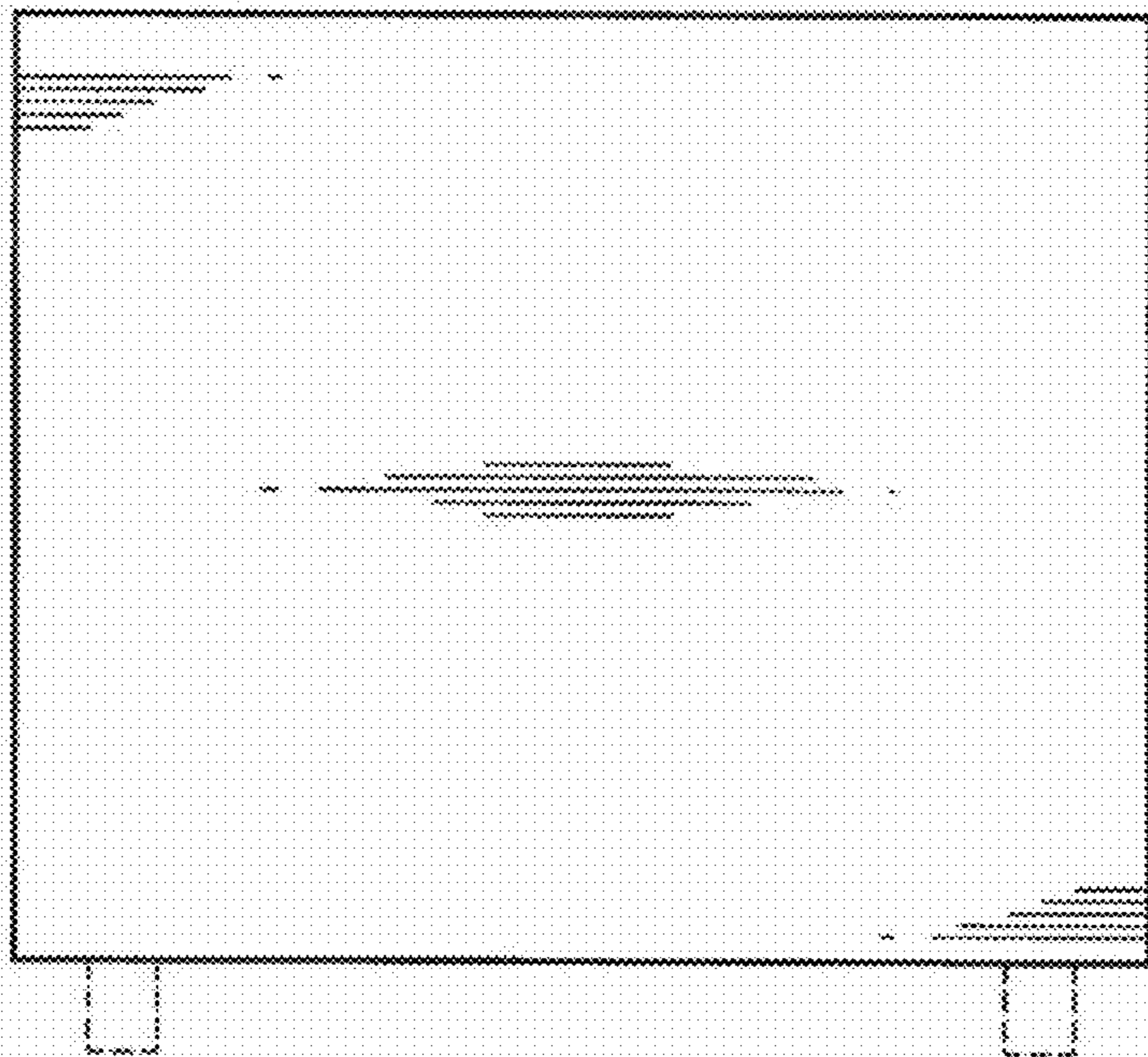


FIG. 12

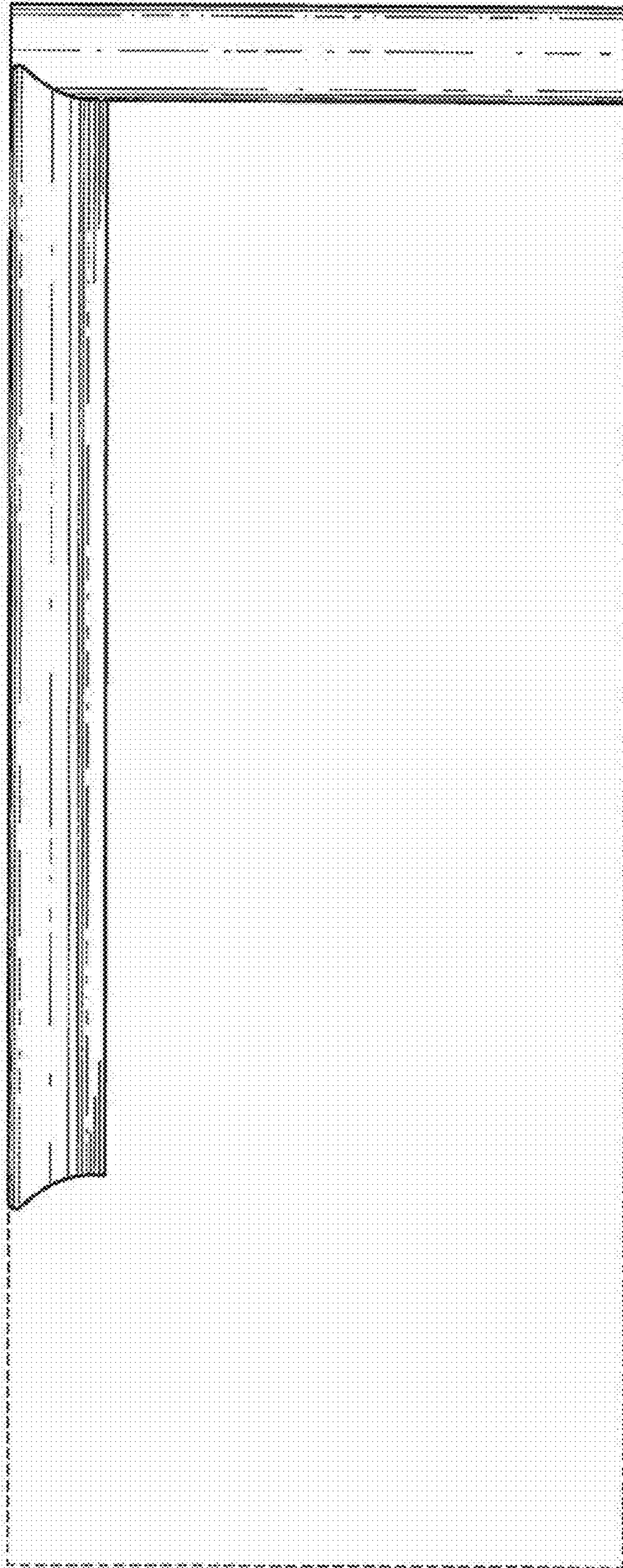


FIG. 13

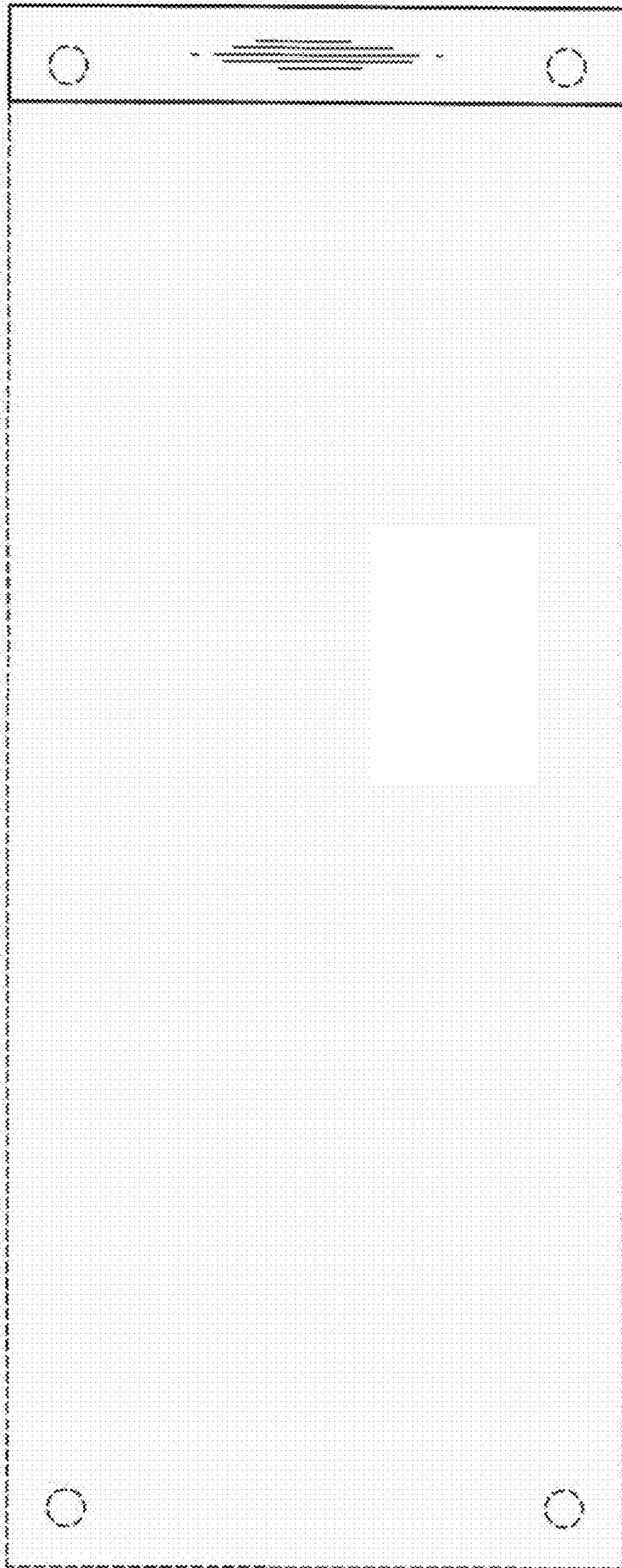


FIG. 14