



US00D743725S

(12) **United States Design Patent**
Lee

(10) **Patent No.:** **US D743,725 S**

(45) **Date of Patent:** **** Nov. 24, 2015**

(54) **FOOTREST FOR CARSEAT**

(71) Applicant: **Myungjoo Lee**, Seoul (KR)

(72) Inventor: **Myungjoo Lee**, Seoul (KR)

(**) Term: **14 Years**

(21) Appl. No.: **29/476,102**

(22) Filed: **Dec. 11, 2013**

(30) **Foreign Application Priority Data**

Oct. 15, 2013 (KR) 30-2013-0051973

(51) **LOC (10) Cl.** **06-01**

(52) **U.S. Cl.**
USPC **D6/715**

(58) **Field of Classification Search**

USPC D6/333, 334, 335, 344, 348, 361, 375,
D6/390, 391, 386, 715, 633, 715.1, 716,
D6/716.6; D3/200; 297/30, 68, 69, 70, 76,
297/260.3, 271.1, 279, 423.18, 423.25,
297/423.34, 423.35, 423.36

See application file for complete search history.

(56) **References Cited**

U.S. PATENT DOCUMENTS

2,683,482 A * 7/1954 Puls 297/136
D228,587 S * 10/1973 Blazey et al. D6/339
4,274,674 A * 6/1981 Deloustal 297/256.13
4,874,203 A * 10/1989 Henley 297/250.1
D341,969 S * 12/1993 Hazelton Kroah D6/501
D342,405 S * 12/1993 Hazel D6/501
D351,738 S * 10/1994 LaCombe D6/336
5,458,399 A * 10/1995 Gezari et al. 297/411.2
D423,262 S * 4/2000 Smith et al. D6/501

D477,271 S * 7/2003 Weber et al. D12/400
D484,516 S * 12/2003 McCord et al. D15/28
D536,290 S * 2/2007 Yeh D12/203
7,464,990 B2 * 12/2008 Collias 297/256.16
D599,452 S * 9/2009 Israel et al. D23/335
8,061,773 B2 * 11/2011 Collias 297/256.16
8,430,456 B2 * 4/2013 Nowak et al. 297/423.3
2014/0292050 A1 * 10/2014 Chen 297/256.16

* cited by examiner

Primary Examiner — Carla Jobe Wright

Assistant Examiner — Holly E Thurman

(74) *Attorney, Agent, or Firm* — Lex IP Meister, PLLC

(57) **CLAIM**

The ornamental design for a footrest for carseat, as shown and described.

DESCRIPTION

FIG. 1 is a perspective view of a footrest for carseat showing my new design;
FIG. 2 is a front elevational view thereof;
FIG. 3 is a rear elevational view thereof;
FIG. 4 is a left side elevational view thereof;
FIG. 5 is a right side elevational view thereof;
FIG. 6 is a top plan view thereof;
FIG. 7 is a bottom plan view thereof;
FIG. 8 is a right side elevational view of the footrest for carseat shown in an environment of use; and,
FIG. 9 is another right side elevational view of the footrest for carseat in an environment of use wherein the footrest components are assembled in an alternate configuration, with the footplate portion attached to the top of the poles and other elements attached to the center of the poles.
The broken lines depict unclaimed subject matter only and form no part of the claimed design.

1 Claim, 9 Drawing Sheets

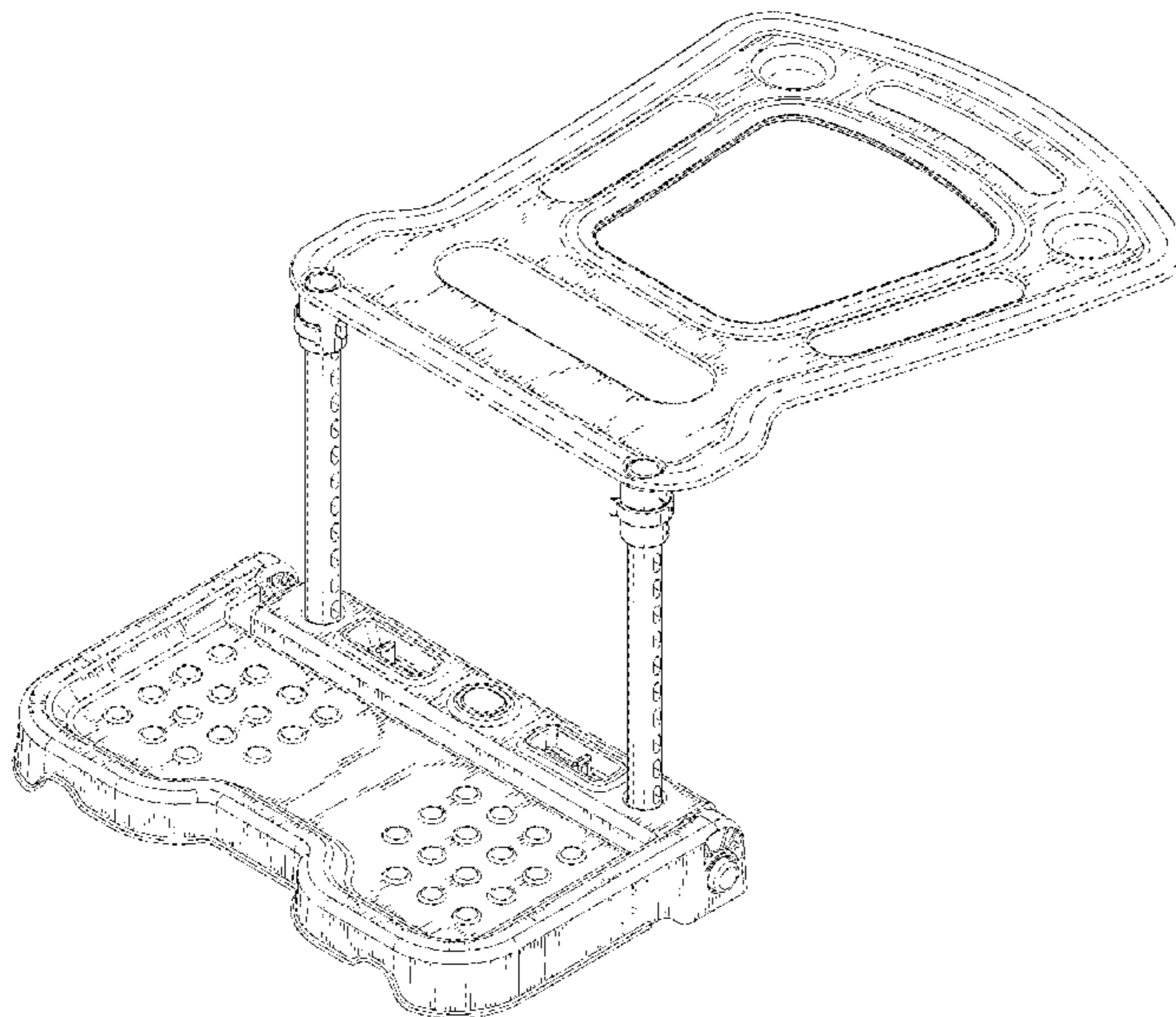


FIG. 1

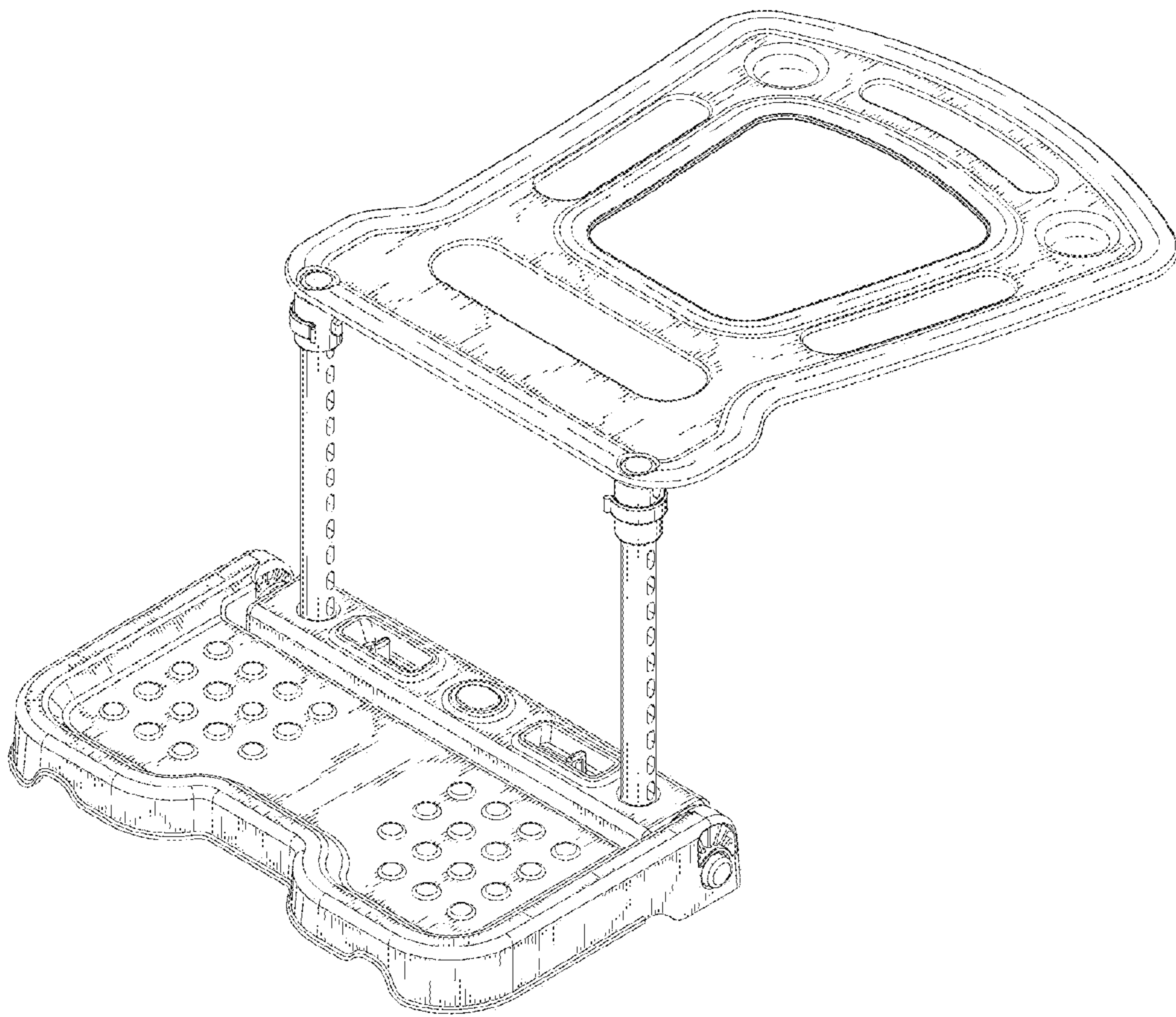


FIG. 2

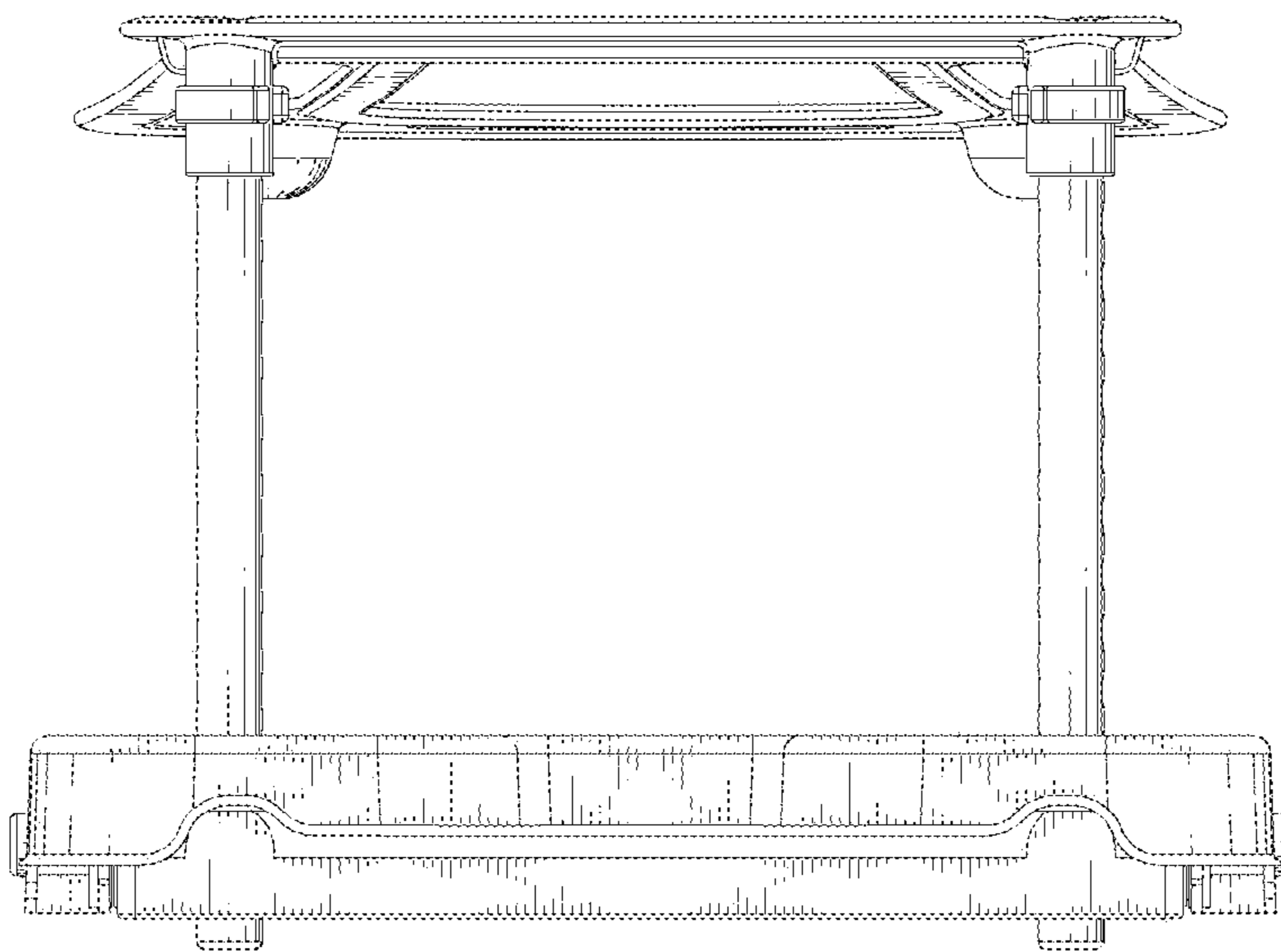


FIG. 3

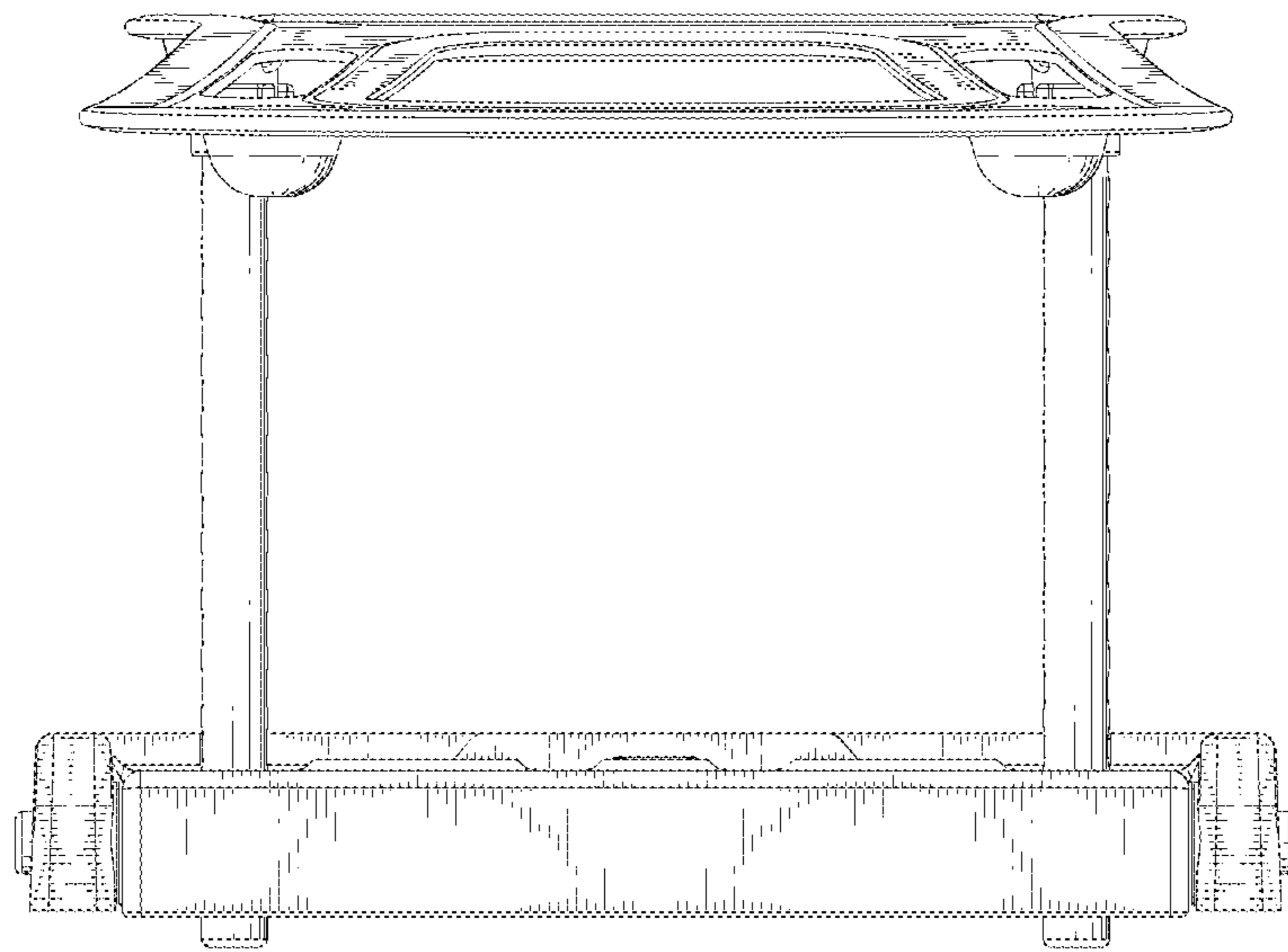


FIG. 4

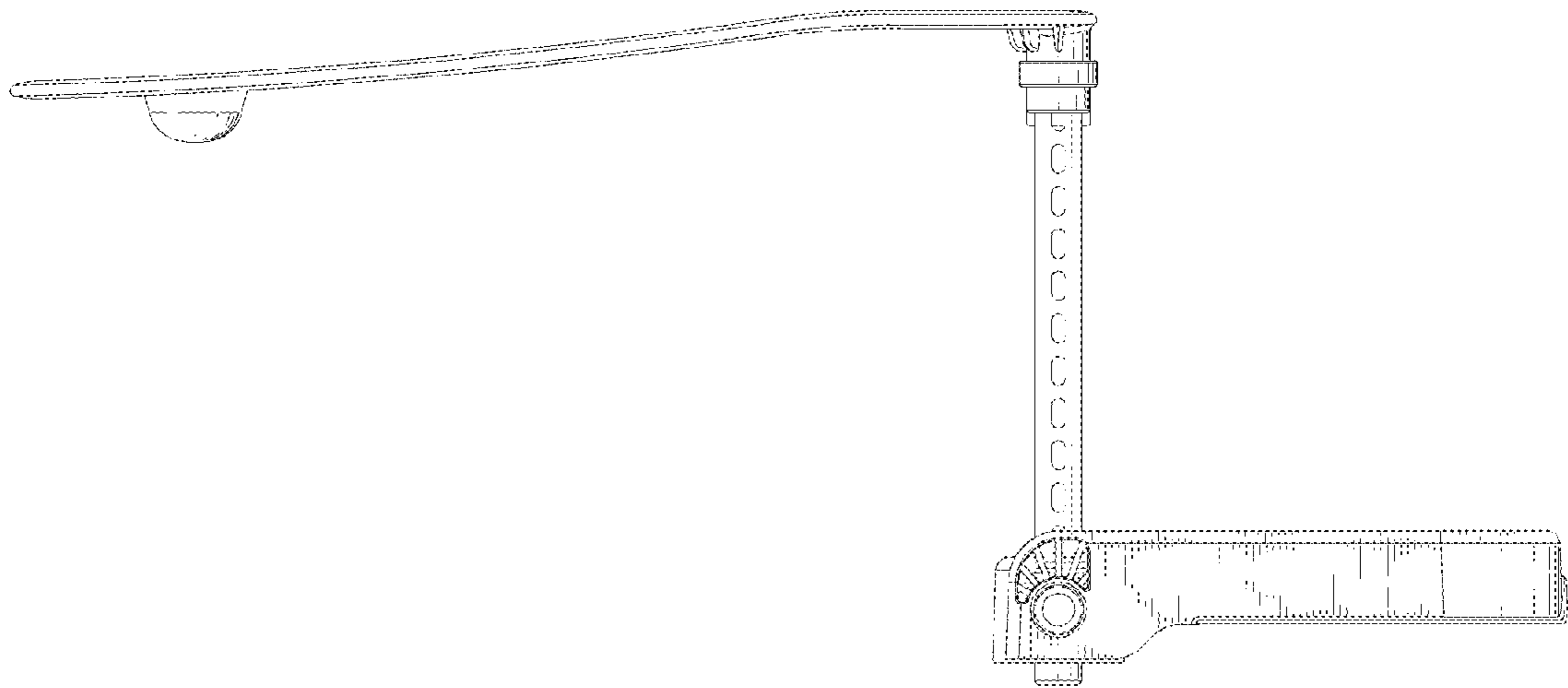


FIG. 5

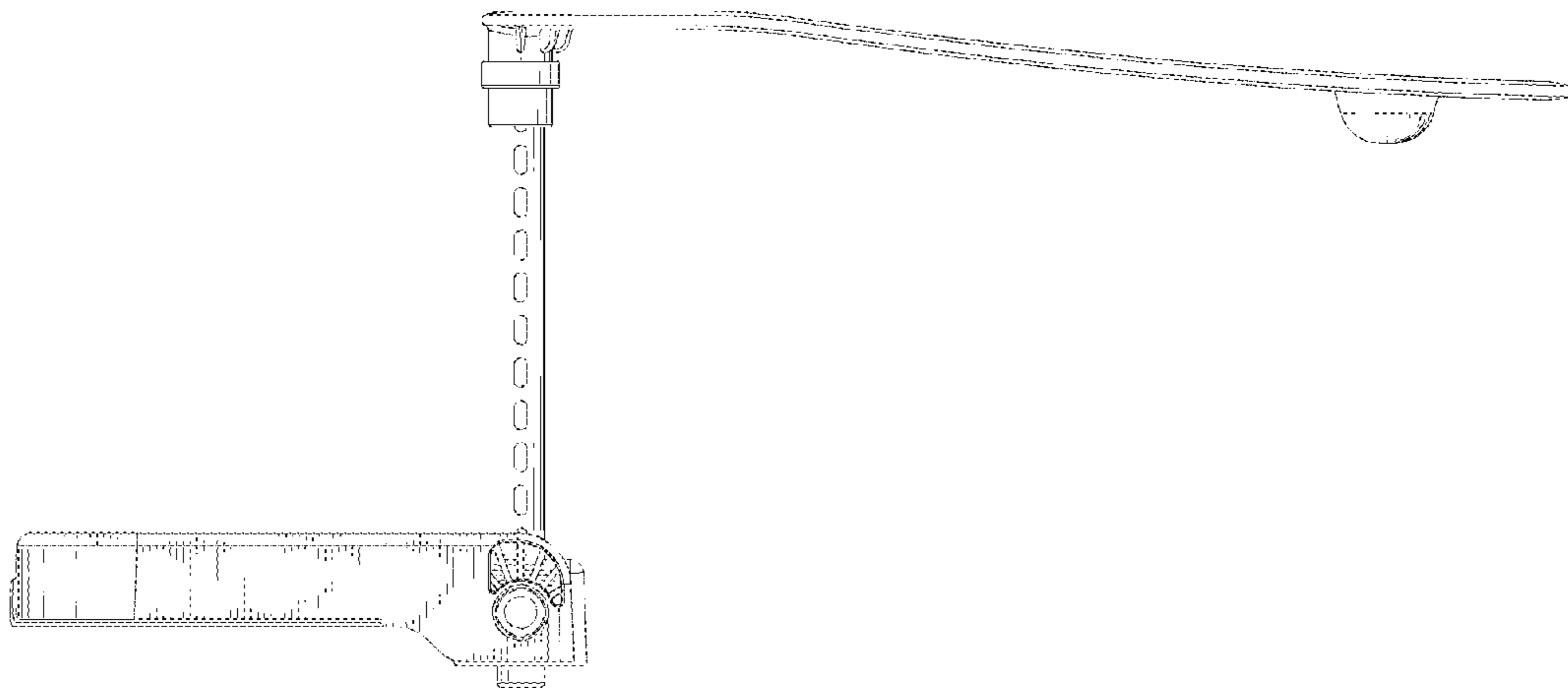


FIG. 6

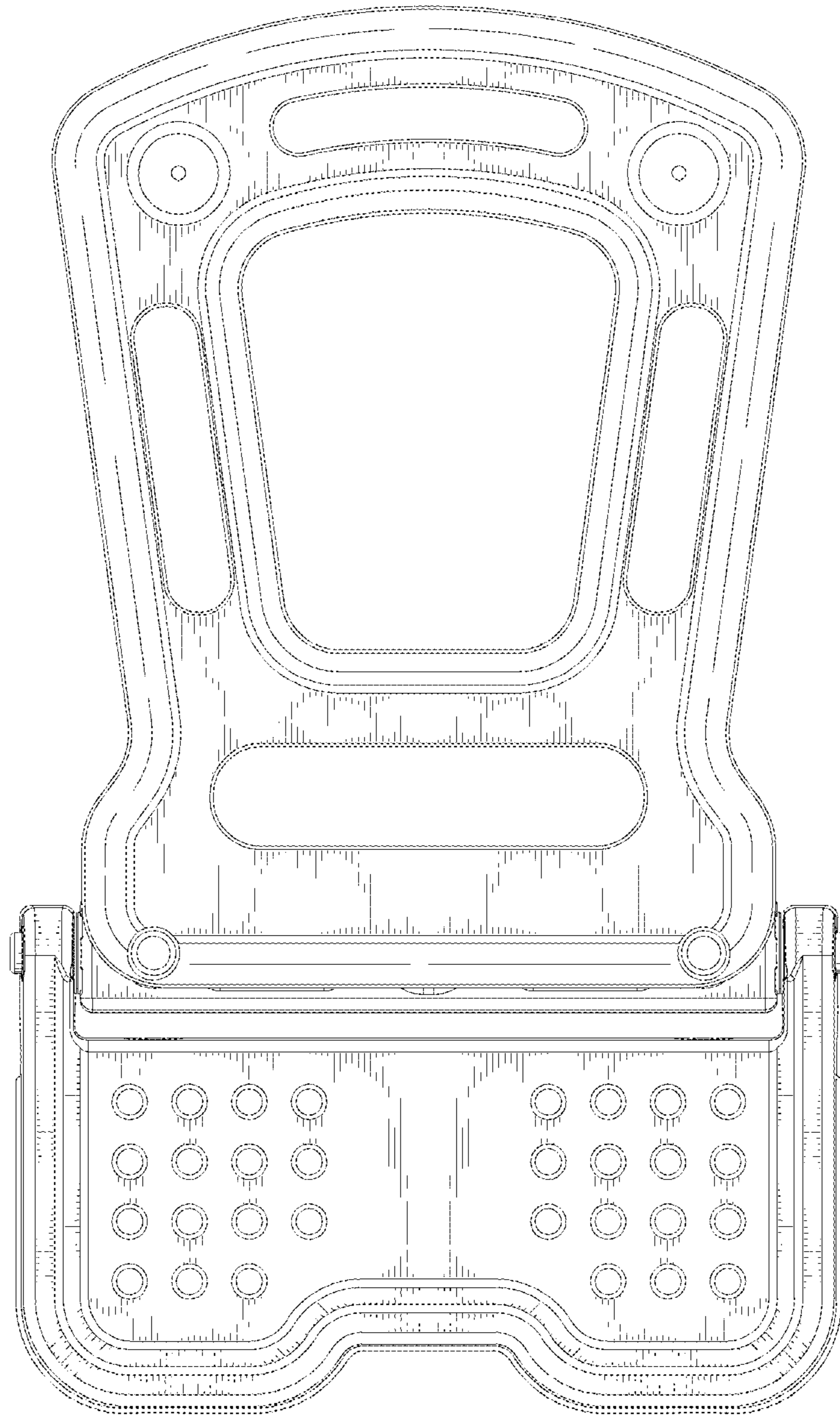


FIG. 7

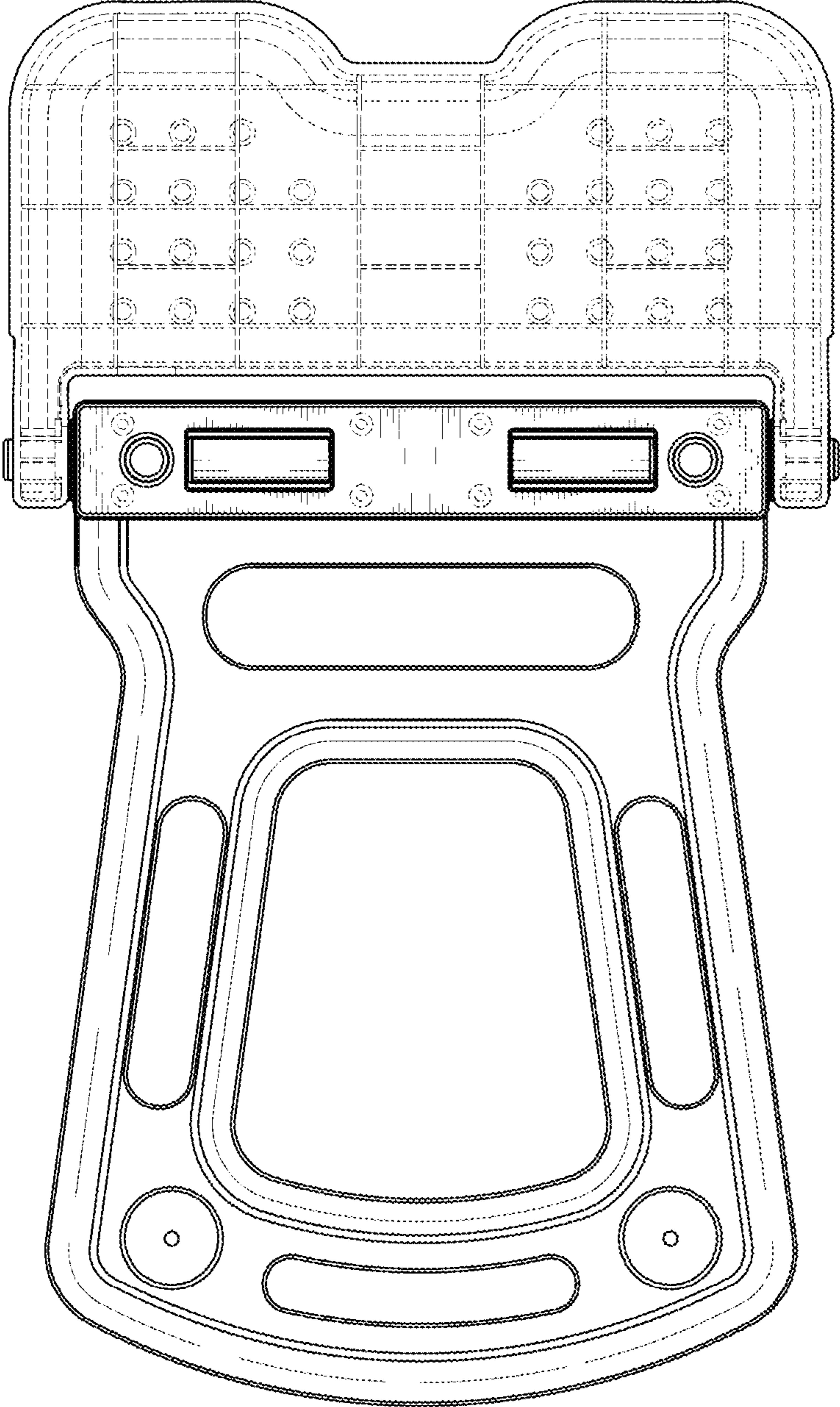


FIG. 8

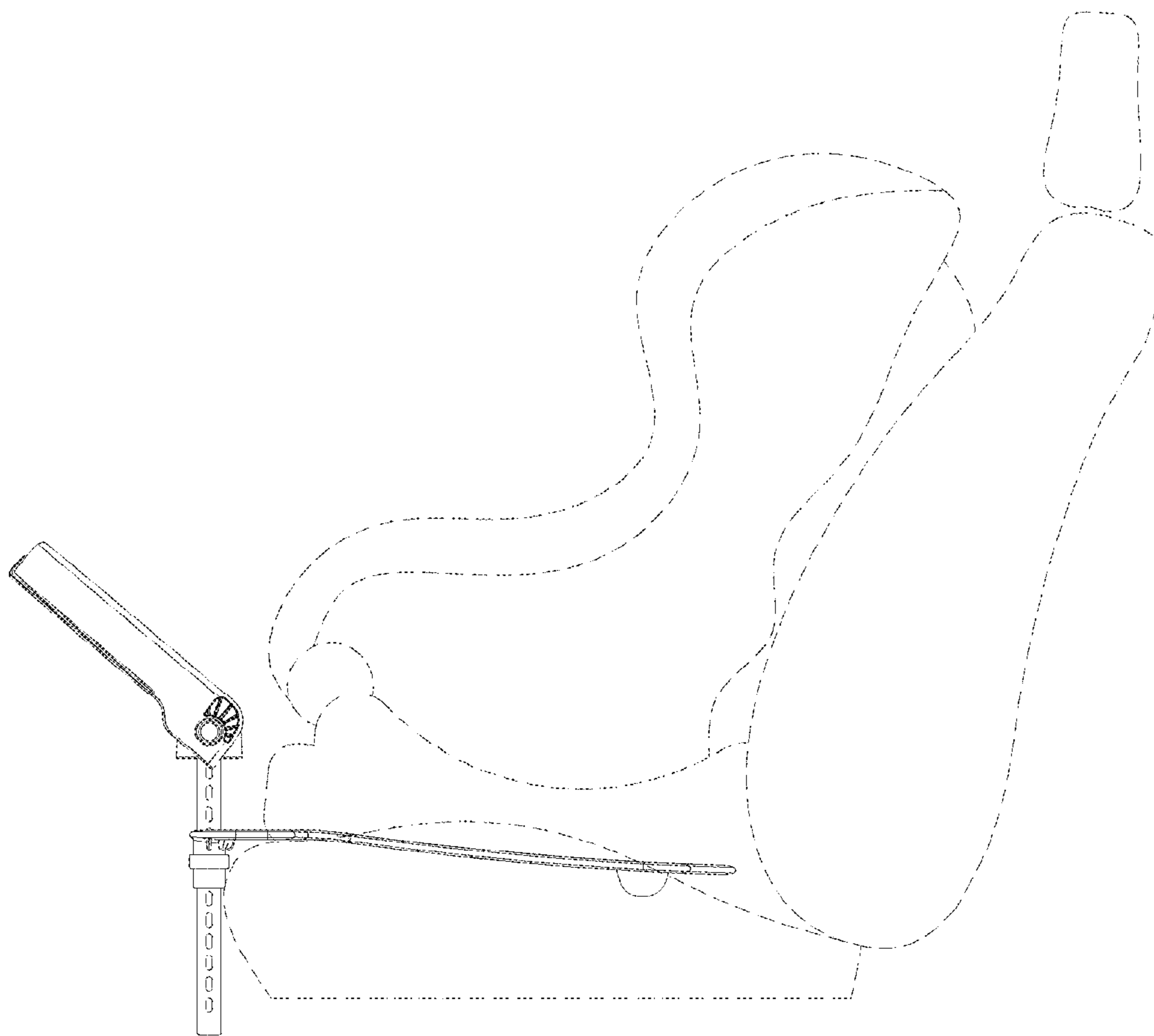


FIG. 9

