



US00D743724S

(12) **United States Design Patent**
Robinson

(10) **Patent No.:** **US D743,724 S**

(45) **Date of Patent:** **** Nov. 24, 2015**

(54) **BENCH LEG**

(71) Applicant: **Sean Michael Robinson**, New York, NY
(US)

(72) Inventor: **Sean Michael Robinson**, New York, NY
(US)

(**) Term: **14 Years**

(21) Appl. No.: **29/504,664**

(22) Filed: **Oct. 8, 2014**

(51) **LOC (10) Cl.** **06-01**

(52) **U.S. Cl.**
USPC **D6/709**

(58) **Field of Classification Search**
USPC D6/333, 335, 340, 344, 347, 349–355,
D6/358, 360, 363–365, 381, 406.6, 596,
D6/601, 648, 662.1, 675, 677, 685–687,
D6/688.15, 688.27, 690, 691, 691.8,
D6/692.1–692.3, 695.1, 708.16, 708.2,
D6/709, 709.2, 709.22, 711, 712,
D6/716–716.7, 717; D11/131; D8/303;
D16/243

CPC A47C 1/14; A47C 3/00; A47C 3/04;
A47C 3/14; A47C 3/16; A47C 3/18; A47C
3/20; A47C 3/36; A47C 4/00; A47C 4/28;
A47C 4/30; A47C 4/38; A47C 4/42; A47C
4/48; A47C 5/02; A47C 5/04; A47C 5/043;
A47C 7/00–7/006; A47C 7/02; A47C 9/00;
A47C 9/02; A47C 9/002; A47C 9/007;
A47C 9/025; A47C 9/10; A47C 11/00;
A47C 12/00; A47C 13/00; A47C 16/02;
A47B 7/00–7/02; A47B 45/00; A47B
47/04–47/045; A47B 3/00; A47B 3/02;
A47B 3/04; A47B 3/12

See application file for complete search history.

(56) **References Cited**

U.S. PATENT DOCUMENTS

D43,822 S * 4/1913 Lawson D6/709
D187,797 S * 5/1960 Saarinen D6/365
3,724,745 A * 4/1973 Brown A47C 9/007
206/216
D233,714 S * 11/1974 Everard et al. D6/352
D610,365 S * 2/2010 Young-il D6/364
D650,204 S * 12/2011 Muller D6/708
D692,263 S * 10/2013 Pozzi D6/692.3
D701,554 S * 3/2014 Huguley D16/243
D716,597 S * 11/2014 Muller D6/708.17

* cited by examiner

Primary Examiner — Susan Bennett Hattan

Assistant Examiner — Vy Koenig

(57) **CLAIM**

The ornamental design for a bench leg, as shown and described.

DESCRIPTION

FIG. 1 is a front perspective front view of a bench leg, illustrating an unclaimed first seat top;

FIG. 2 is a front elevation view of the bench leg;

FIG. 3 is a rear elevation view being a mirror image thereof;

FIG. 4 is a left side elevation view of the bench leg; the right side elevation view being a mirror image thereof;

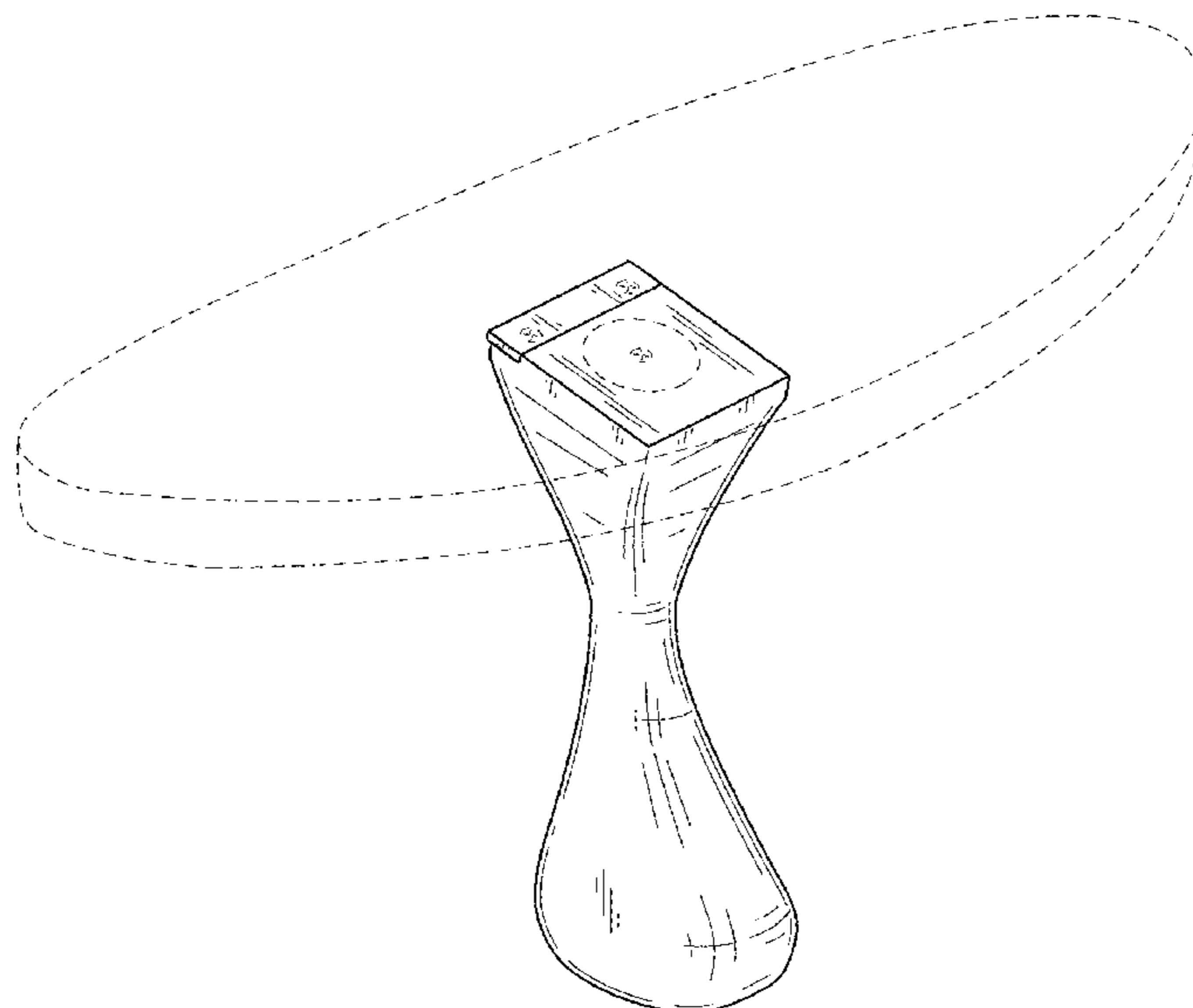
FIG. 5 is a top plan view of the bench leg;

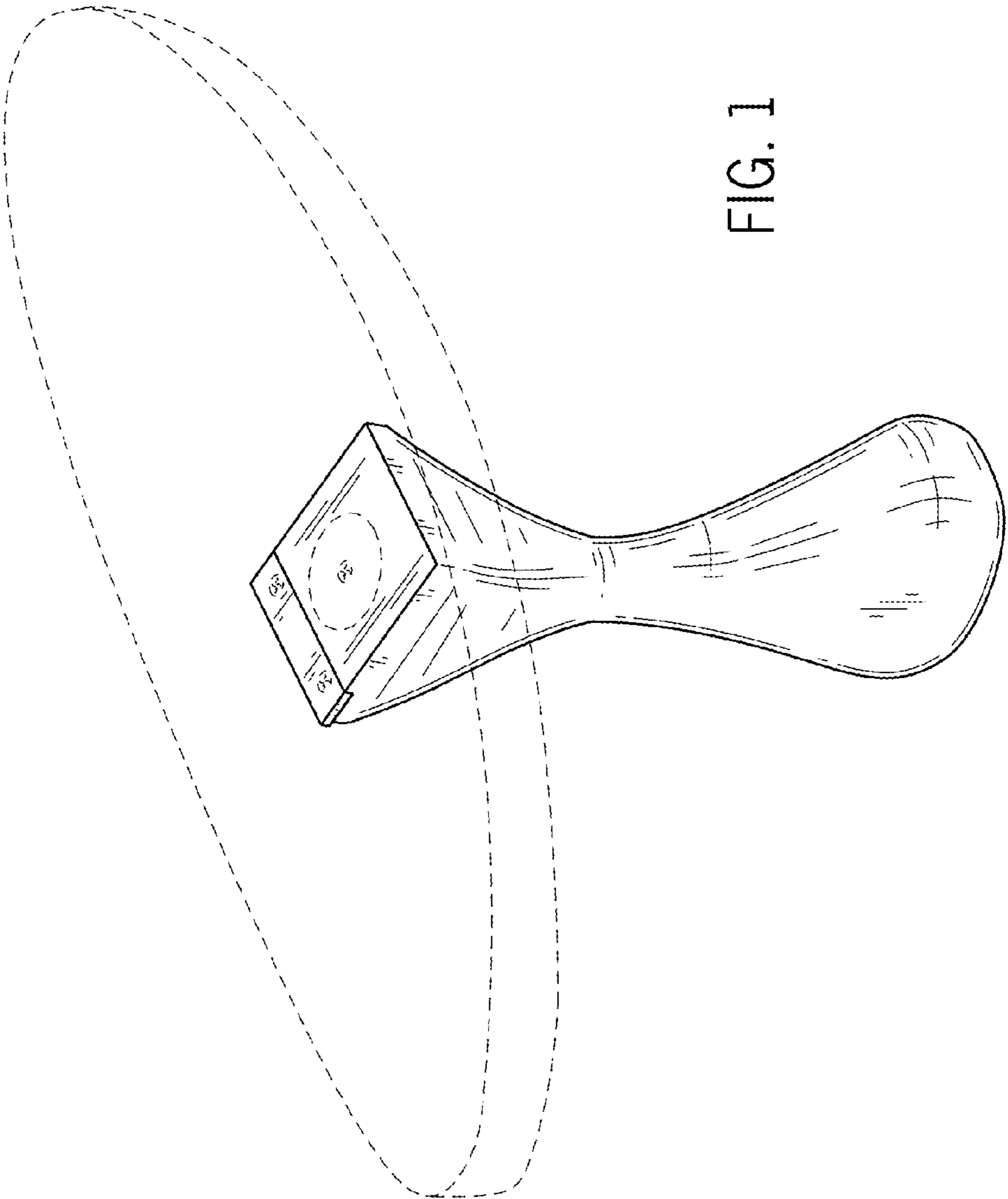
FIG. 6 is a bottom plan view of the bench leg; and,

FIG. 7 is a perspective view of the bench leg, illustrating an unclaimed second seat top.

The broken lines shown in the drawings illustrate environmental features that form no part of the claimed design.

1 Claim, 3 Drawing Sheets





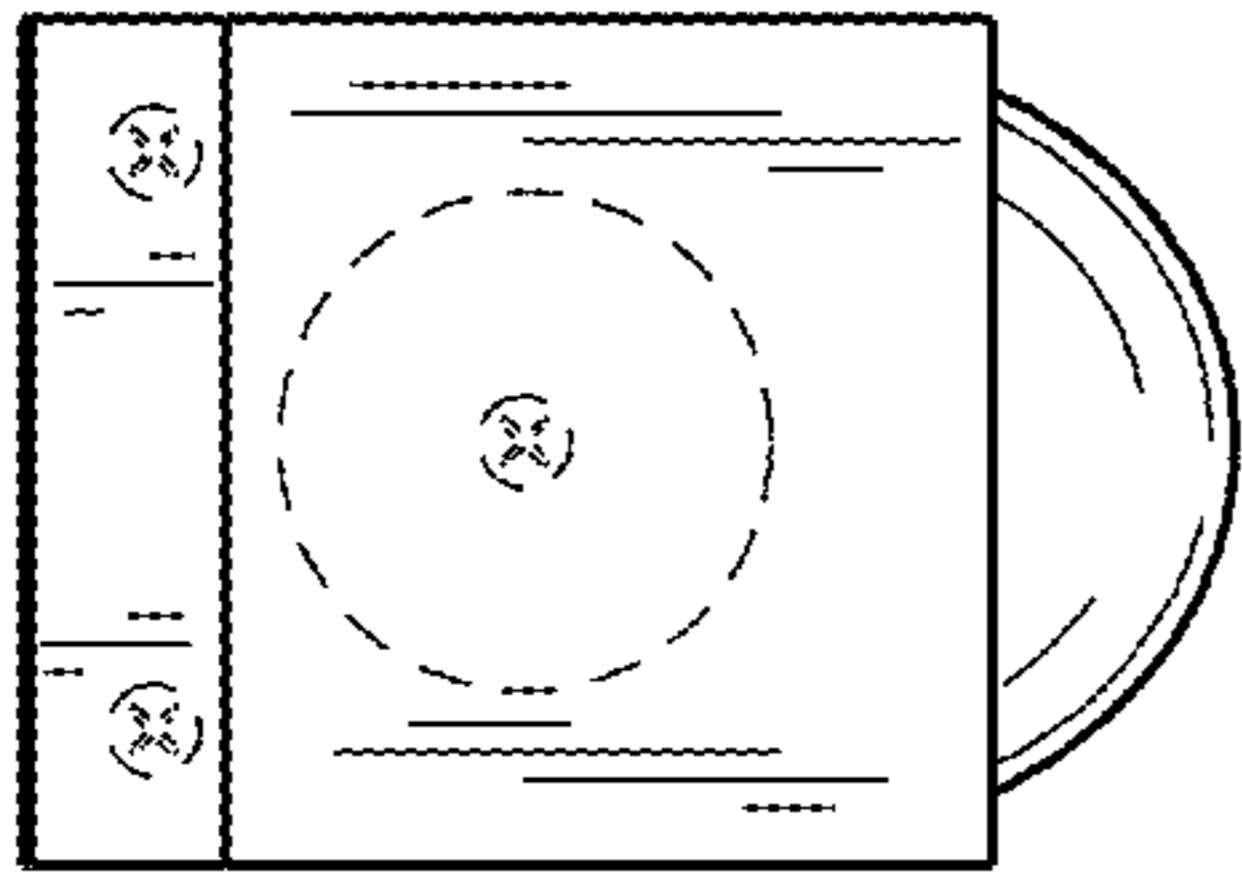


FIG. 5

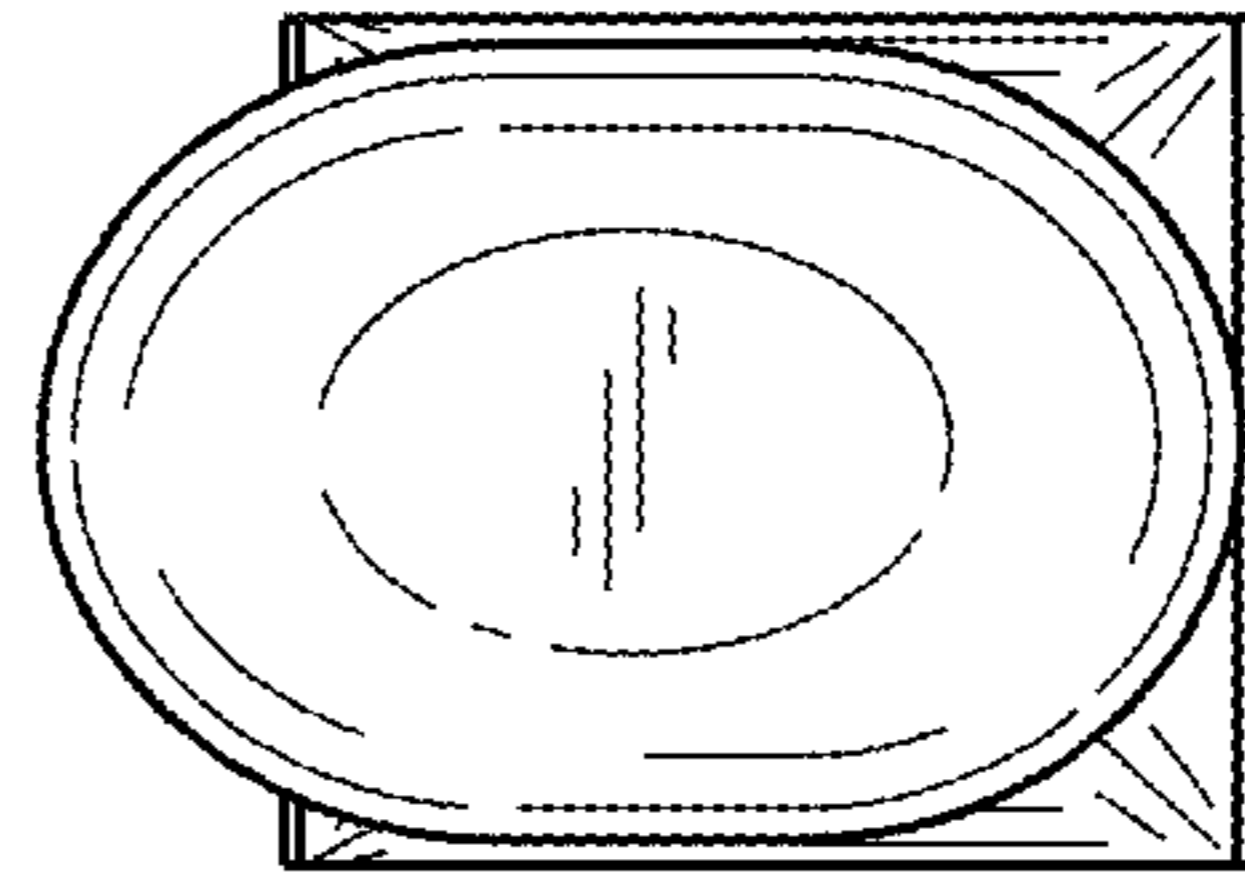


FIG. 6

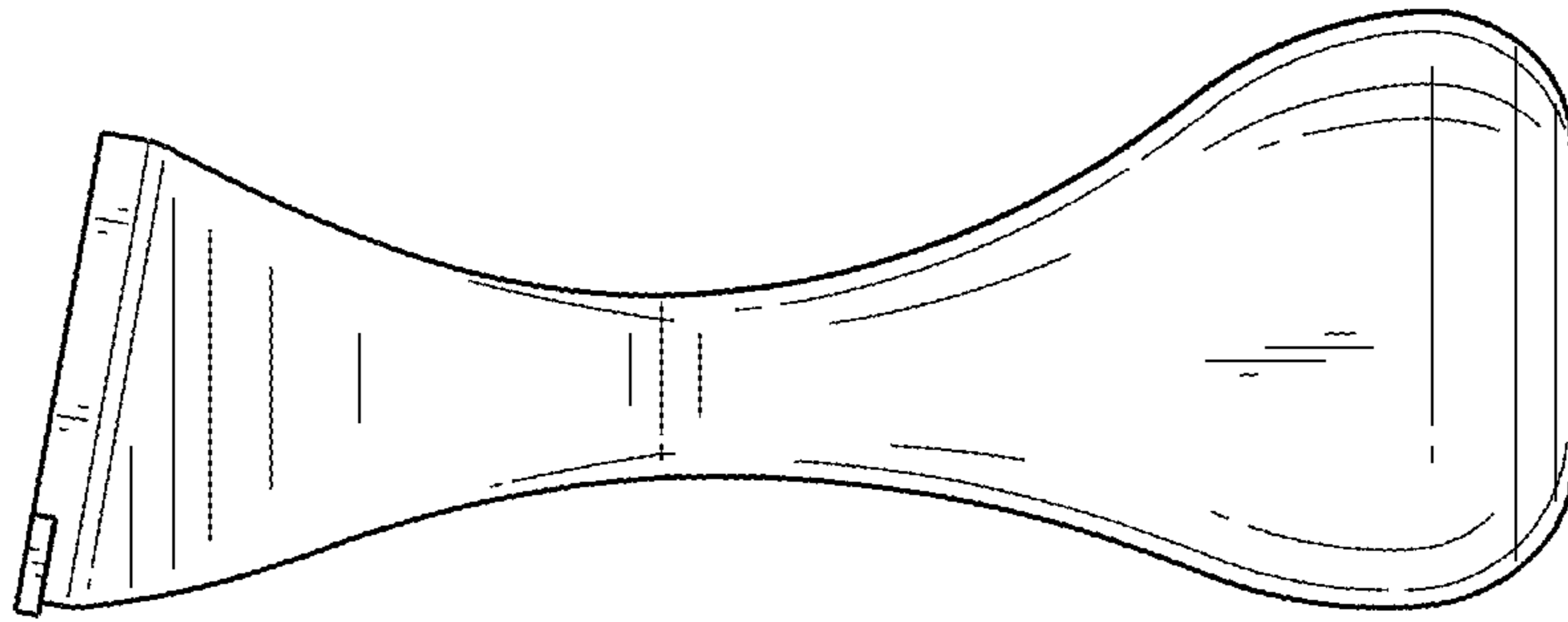


FIG. 4

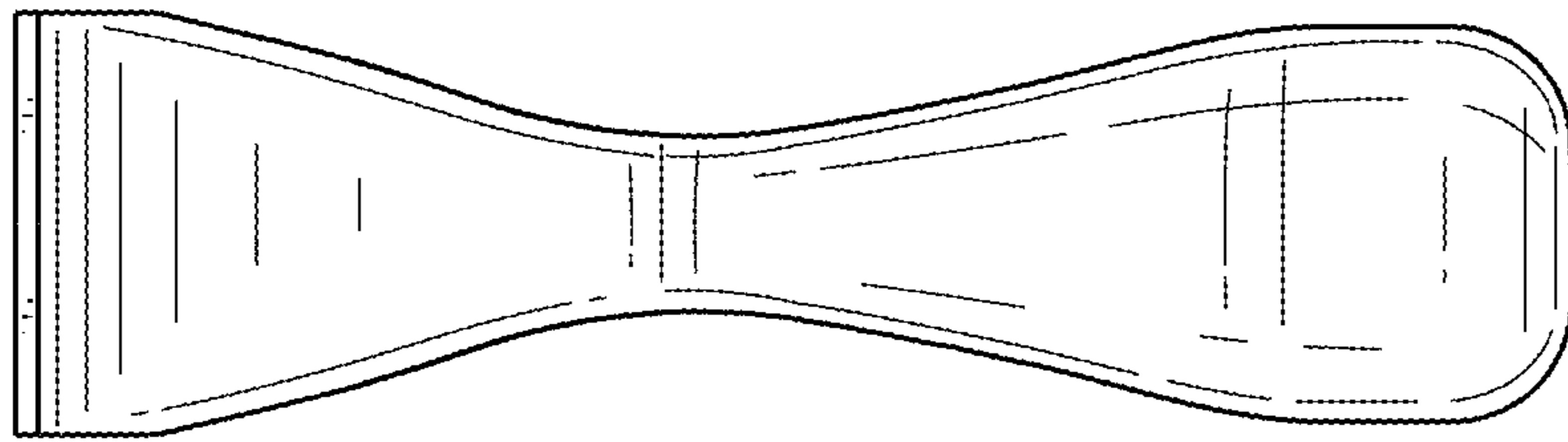


FIG. 3

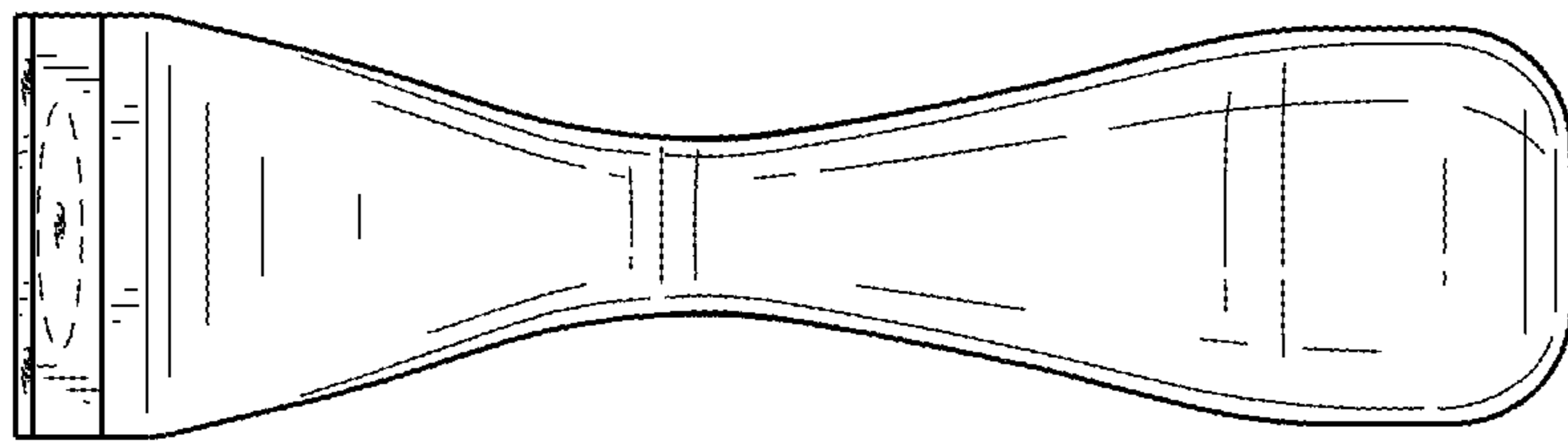


FIG. 2

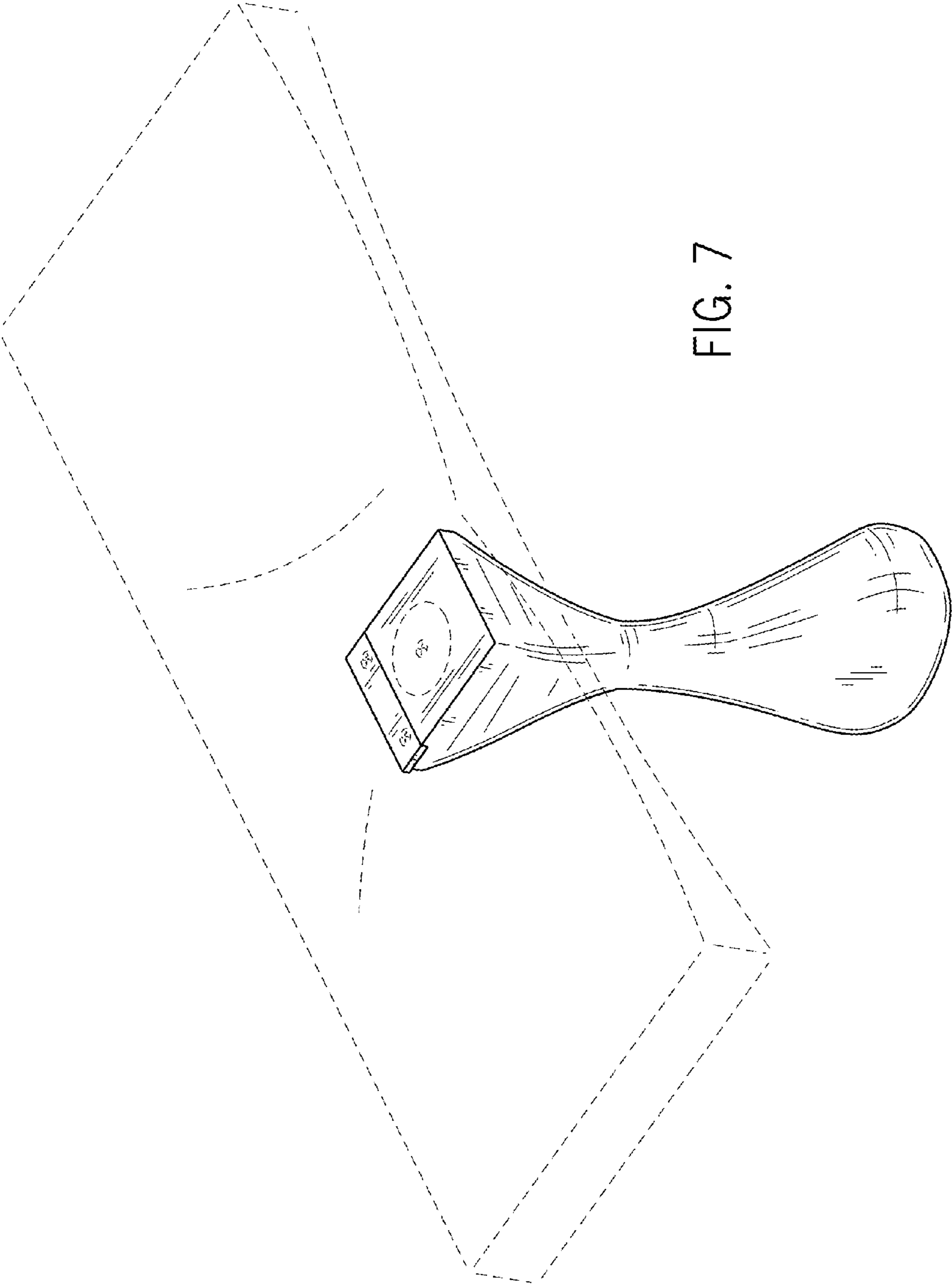


FIG. 7