



US00D743722S

(12) **United States Design Patent**
Reinhart

(10) **Patent No.:** **US D743,722 S**

(45) **Date of Patent:** **** *Nov. 24, 2015**

(54) **SHELF SIDE PANEL**

(71) Applicant: **Continental Commercial Products, LLC**, Bridgeton, MO (US)

(72) Inventor: **Nickolas Reinhart**, Findlay, OH (US)

(73) Assignee: **Continental Commercial Products, LLC**, Bridgeton, MO (US)

(*) Notice: This patent is subject to a terminal disclaimer.

(**) Term: **14 Years**

(21) Appl. No.: **29/463,312**

(22) Filed: **Oct. 8, 2013**

(51) **LOC (10) Cl.** **06-06**

(52) **U.S. Cl.**
USPC **D6/705.4**

(58) **Field of Classification Search**
USPC D6/511, 524-525, 567, 574, 705, 705.1, D6/705.5; 108/59, 91, 106, 137, 144, 108/152-153, 161, 180; 211/88, 90, 134, 211/175, 207
CPC A47B 96/02; A47B 96/021
See application file for complete search history.

(56) **References Cited**

U.S. PATENT DOCUMENTS

| | | | | |
|--------------|--------|----------|-------|--------|
| D336,224 S * | 6/1993 | Terry | | D8/14 |
| D373,699 S * | 9/1996 | Moon | | D6/574 |
| D403,903 S * | 1/1999 | Calmeise | | D6/511 |
| D477,490 S * | 7/2003 | Hoernig | | D6/574 |
| D515,599 S * | 2/2006 | Vardon | | D15/89 |

| | | | | |
|-------------------|---------|-------------|-------|----------|
| D520,287 S * | 5/2006 | Sparkowski | | D6/574 |
| D710,633 S * | 8/2014 | Mudrick | | D6/675.5 |
| D720,588 S * | 1/2015 | Pugh | | D8/47 |
| 2002/0165428 A1 * | 11/2002 | Jain et al. | | 600/32 |

* cited by examiner

Primary Examiner — Kelley Donnelly

(74) *Attorney, Agent, or Firm* — Thompson Coburn LLP

(57) **CLAIM**

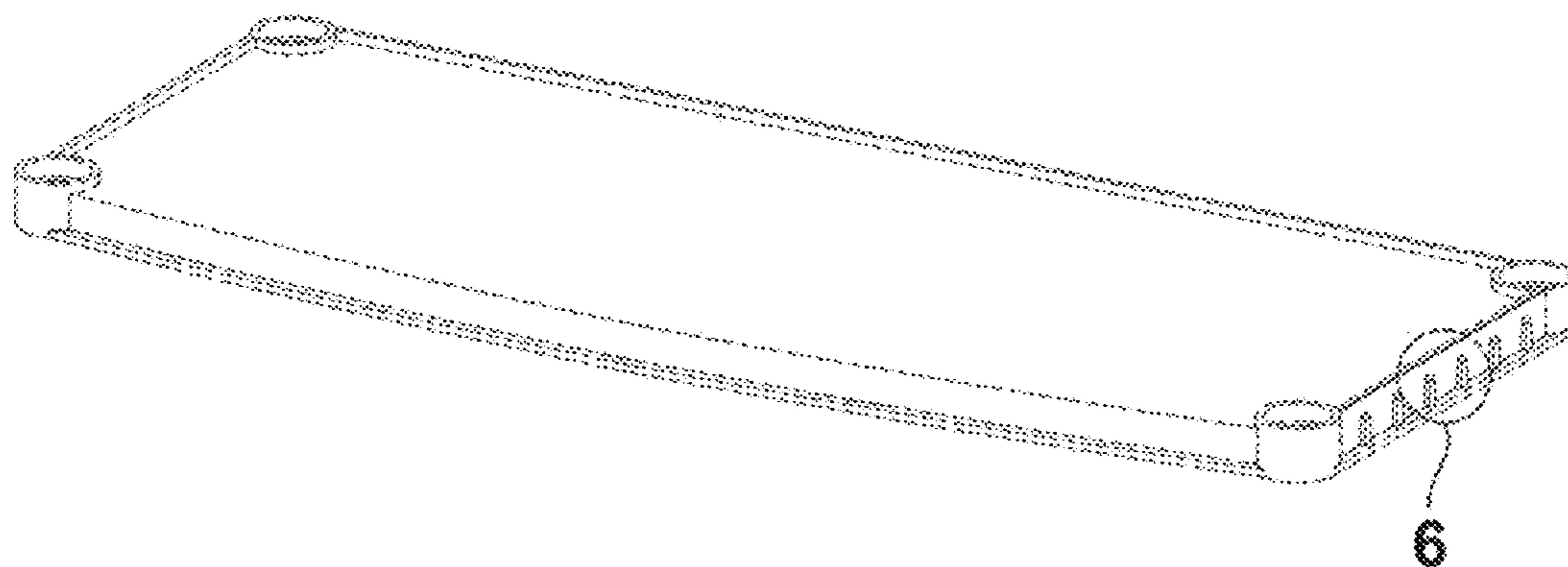
The ornamental design for a shelf side panel, as shown and described.

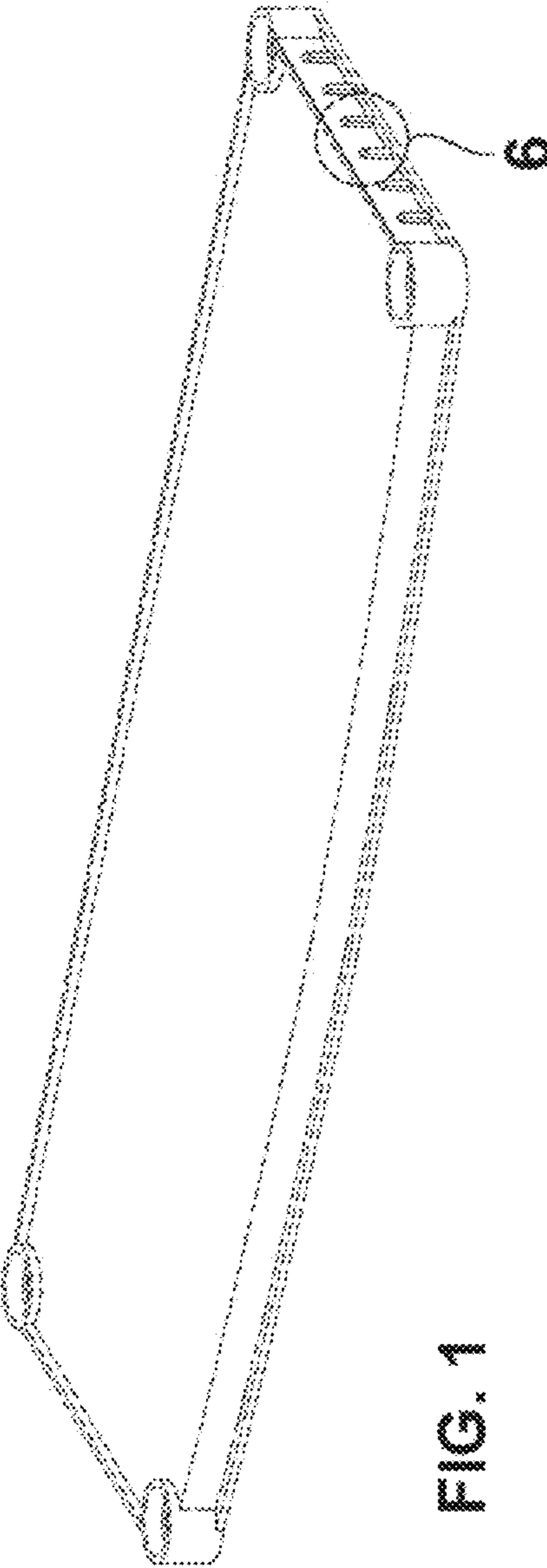
DESCRIPTION

FIG. 1 is a front upper left perspective view of a shelf side panel showing my new design;
 FIG. 2 is a top view thereof showing my new design on the left side of a shelf and on the right side of a shelf;
 FIG. 3 is a bottom view thereof showing my new design on the left side of a shelf and on the right side of a shelf;
 FIG. 4 is a front view thereof showing my new design on the left side of a shelf;
 FIG. 5 is a front view thereof showing my new design on the right side of a shelf;
 FIG. 6 is an upper left perspective view thereof showing a portion of my new design corresponding with the portion indicated at 6 on FIG. 1, the upper left perspective view thereof being a mirror image; and,
 FIG. 7 is a front view thereof showing a portion of my new design corresponding with the portion indicated at 7 on FIG. 4.

The rear portion of the article is not a part of the claimed design. In all of the drawing FIGS., environmental structure, namely, a shelf, shown in broken lines, forms no part of the claimed design.

1 Claim, 3 Drawing Sheets





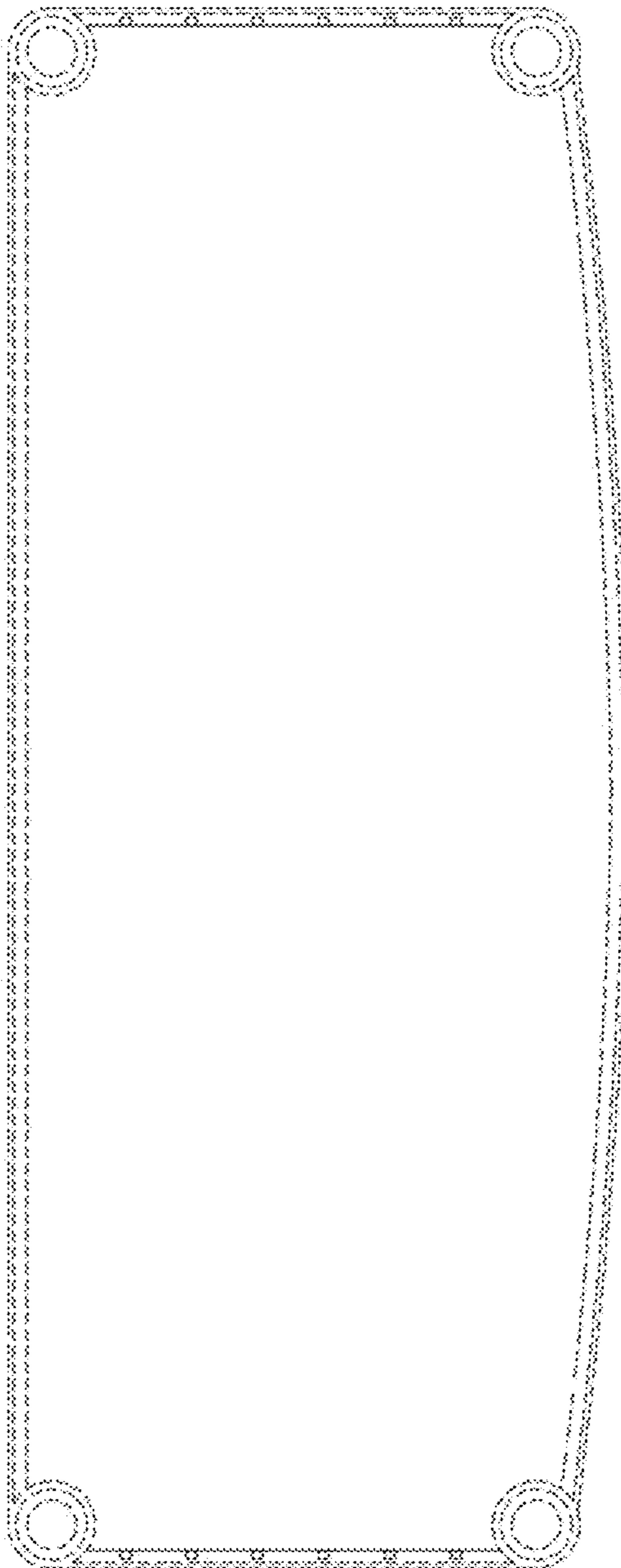


FIG. 3

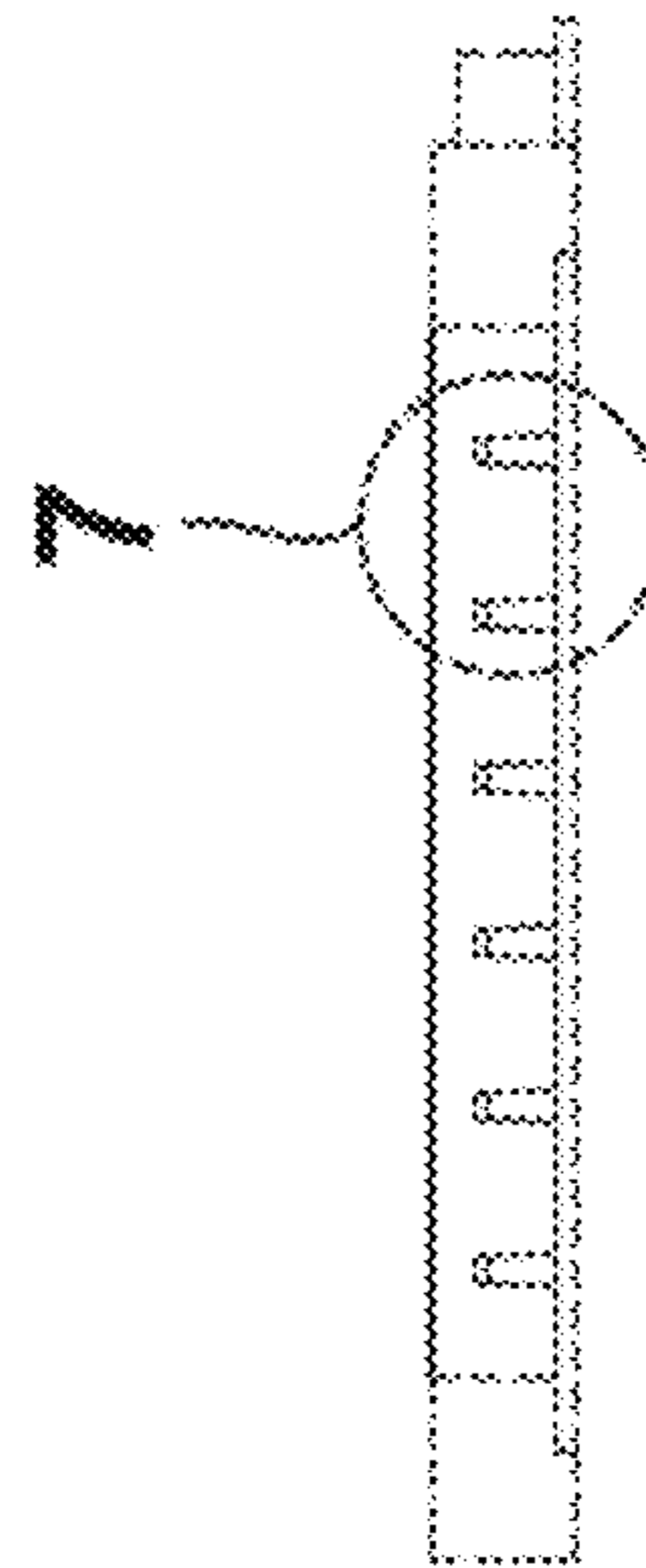


FIG. 4

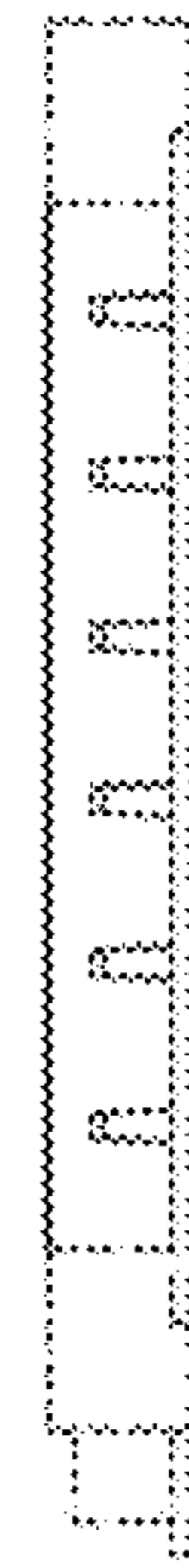


FIG. 5

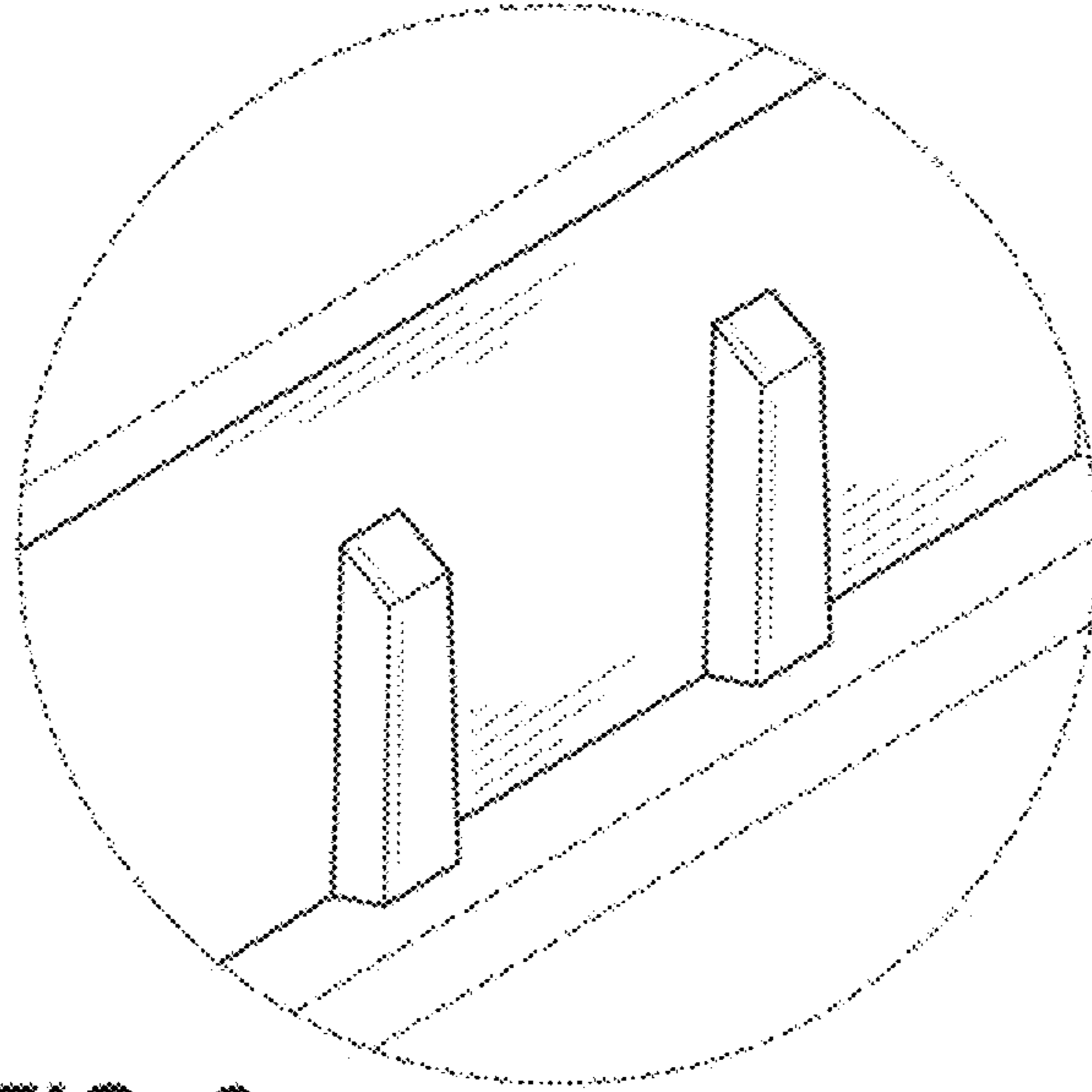


FIG. 6

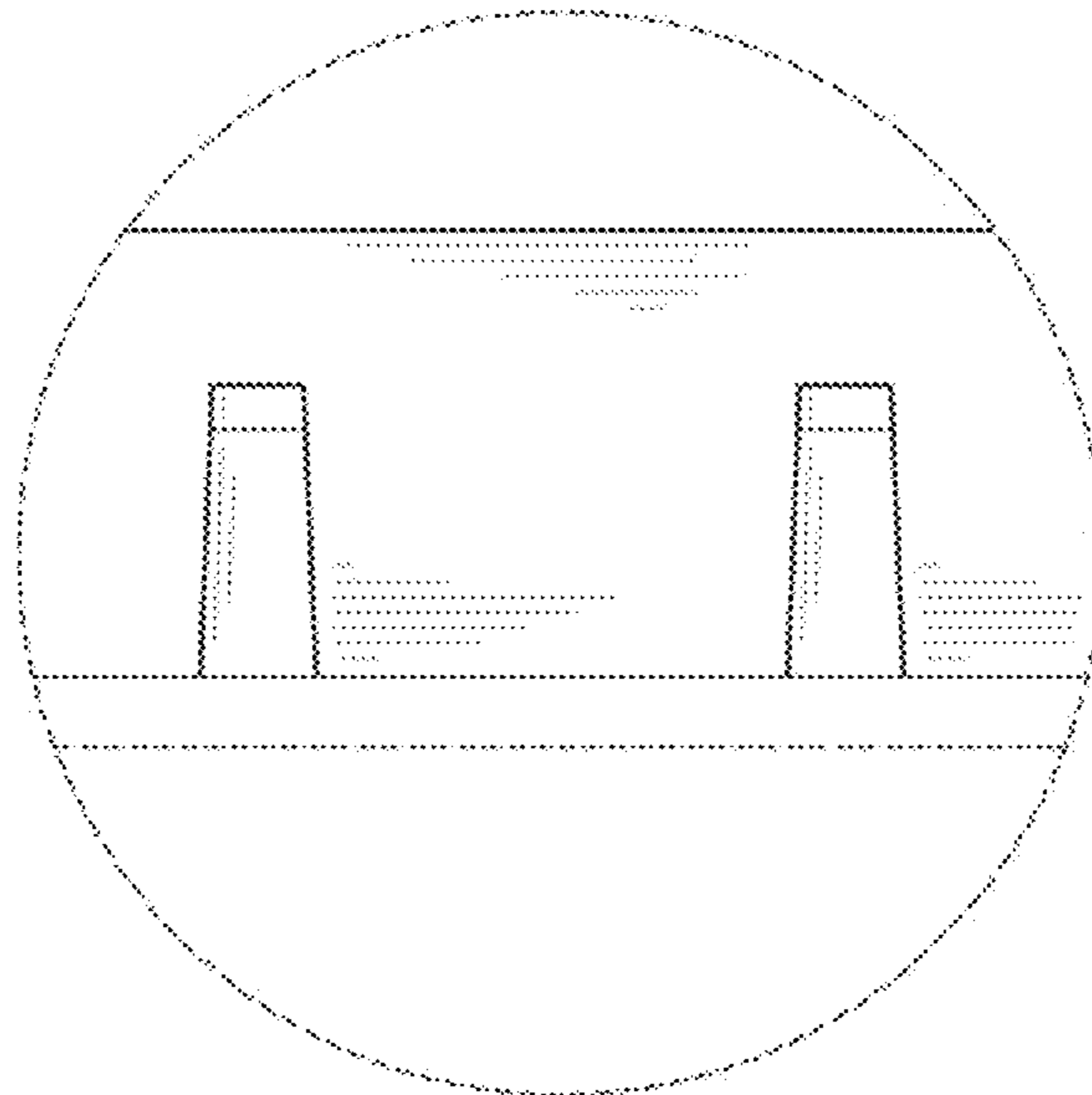


FIG. 7