



US00D743718S

(12) **United States Design Patent**
Tempas

(10) **Patent No.:** **US D743,718 S**

(45) **Date of Patent:** **** Nov. 24, 2015**

(54) **FOCUS DESK**

(71) Applicant: **Robert Tempas**, Hinsdale, IL (US)

(72) Inventor: **Robert Tempas**, Hinsdale, IL (US)

(73) Assignee: **The Marvel Group, Inc.**, Chicago, IL (US)

(**) Term: **14 Years**

(21) Appl. No.: **29/500,625**

(22) Filed: **Aug. 27, 2014**

(51) **LOC (10) Cl.** **06-03**

(52) **U.S. Cl.**

USPC **D6/655.21**; D6/655

(58) **Field of Classification Search**

USPC D6/655.2, 656.15, 656.12, 406.1, 406.2,
D6/655, 655.1, 655.11, 655.14, 655.16,
D6/655.18, 655.21

CPC A47B 21/00; A47B 17/00; A47B 17/003;
A47B 17/006; A47B 17/06; A47B 19/06;
A47B 41/00; A47B 41/02

See application file for complete search history.

(56) **References Cited**

U.S. PATENT DOCUMENTS

D197,651	S	*	3/1964	Sundberg et al.	D6/655.21
4,077,333	A	*	3/1978	Ballas	A47B 23/046 108/6
D467,754	S	*	12/2002	Chen	D6/406.1
D612,169	S	*	3/2010	Chang	D6/656.13
D652,229	S	*	1/2012	Madison	D6/655

* cited by examiner

Primary Examiner — Janice Seeger

(74) *Attorney, Agent, or Firm* — Law offices of Eugene M. Cummings, P.C.

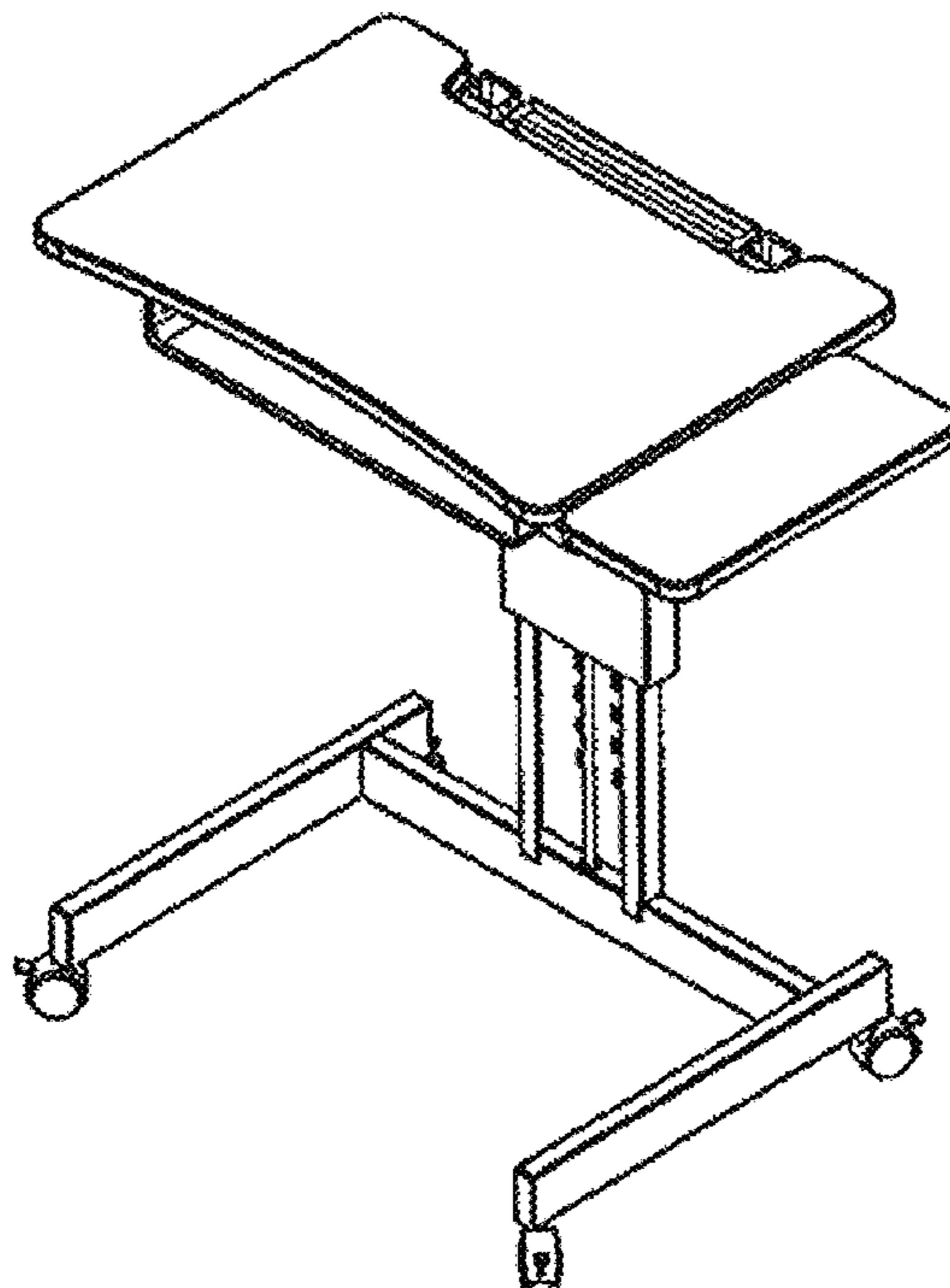
(57) **CLAIM**

The ornamental design for the focus desk, as shown and described.

DESCRIPTION

FIG. 1 is a front elevation view of the focus desk.
FIG. 2 is a top plan view of FIG. 1.
FIG. 3 is a bottom view of FIG. 1.
FIG. 4 is a rear elevation view of FIG. 1.
FIG. 5 is a right side elevation view of FIG. 1.
FIG. 6 is a left side elevation view of FIG. 1; and,
FIG. 7 is a front perspective view of FIG. 1.

1 Claim, 2 Drawing Sheets



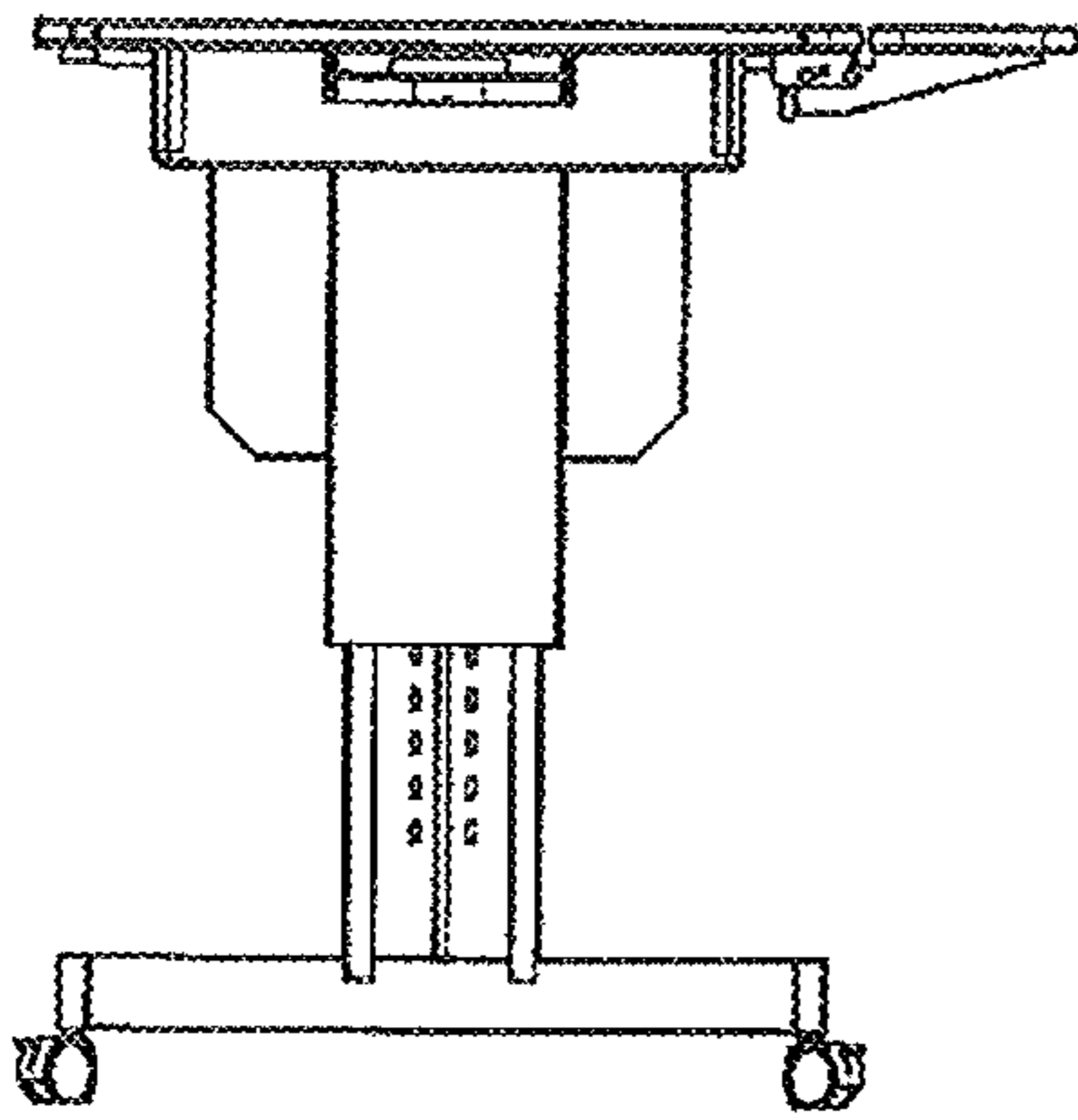


FIG. 1

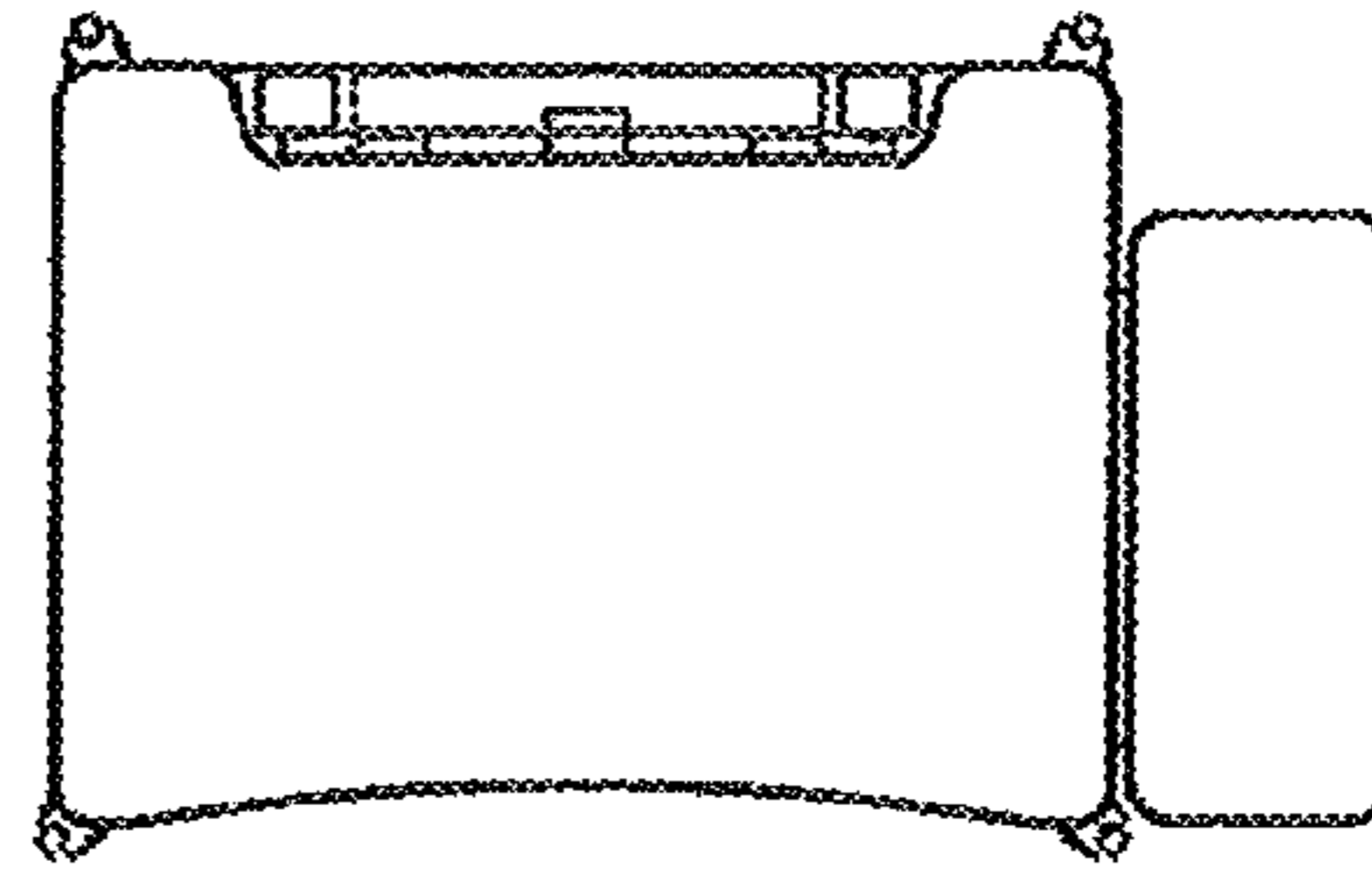


FIG. 2

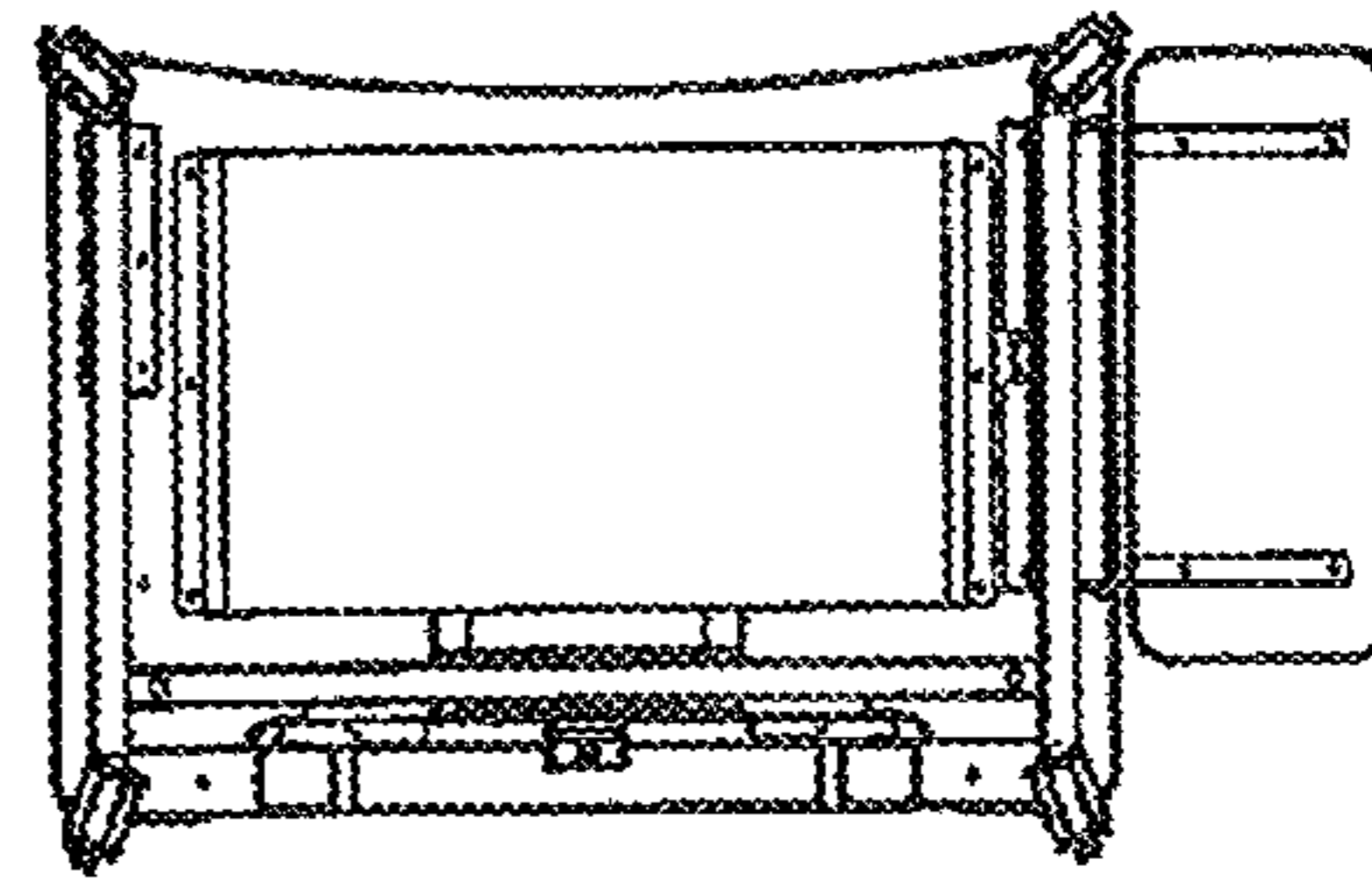


FIG. 3

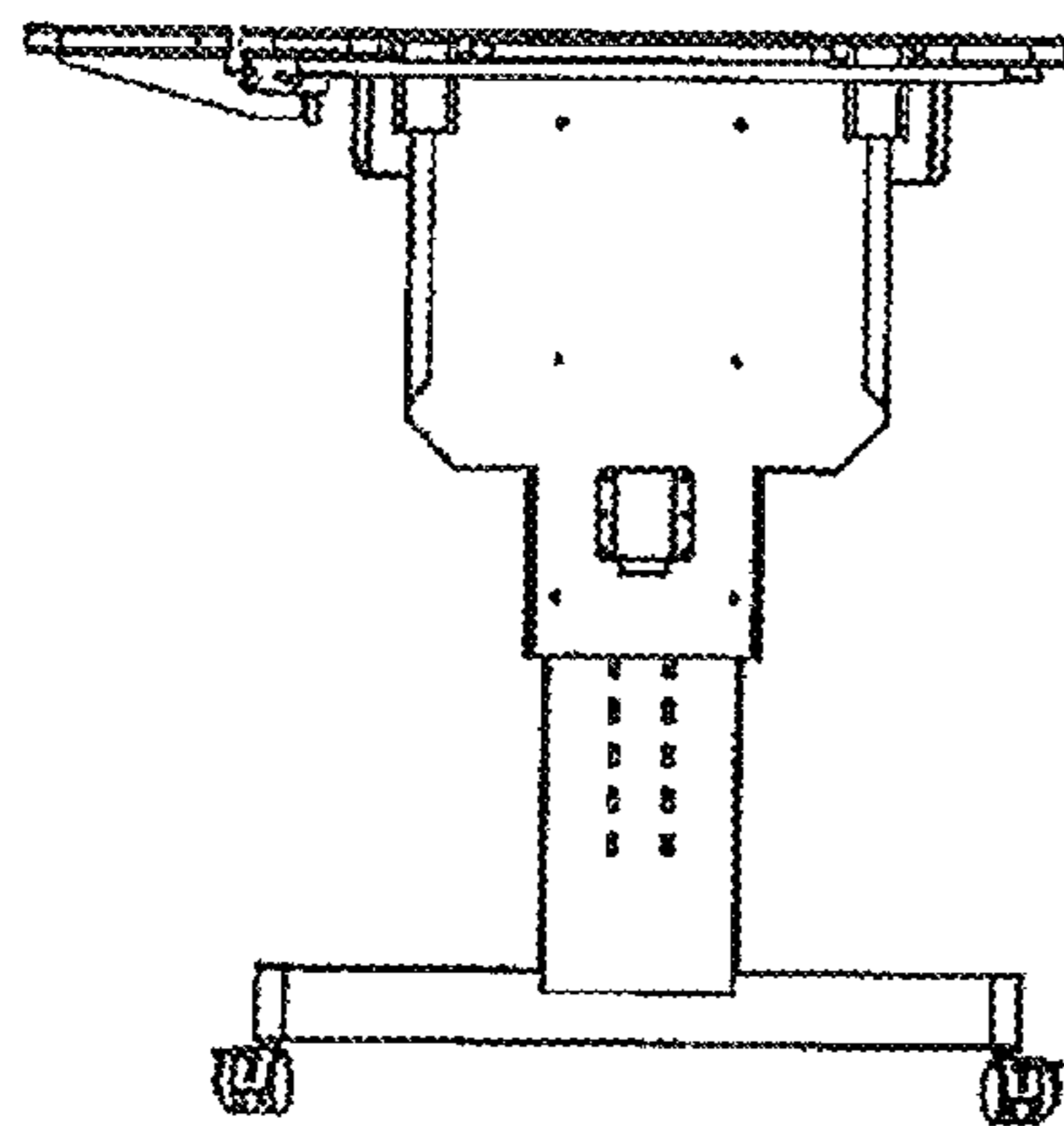


FIG. 4

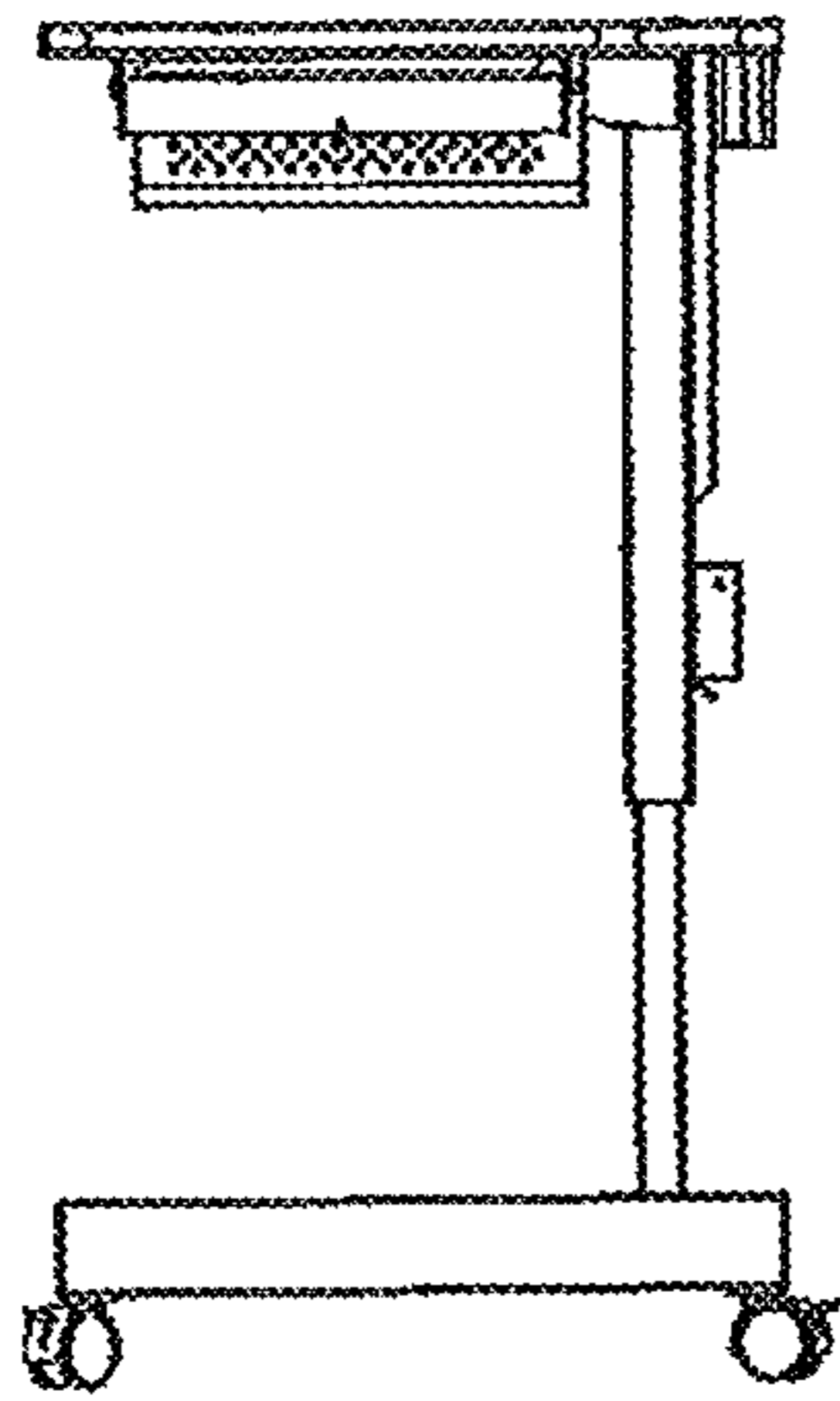


FIG. 5

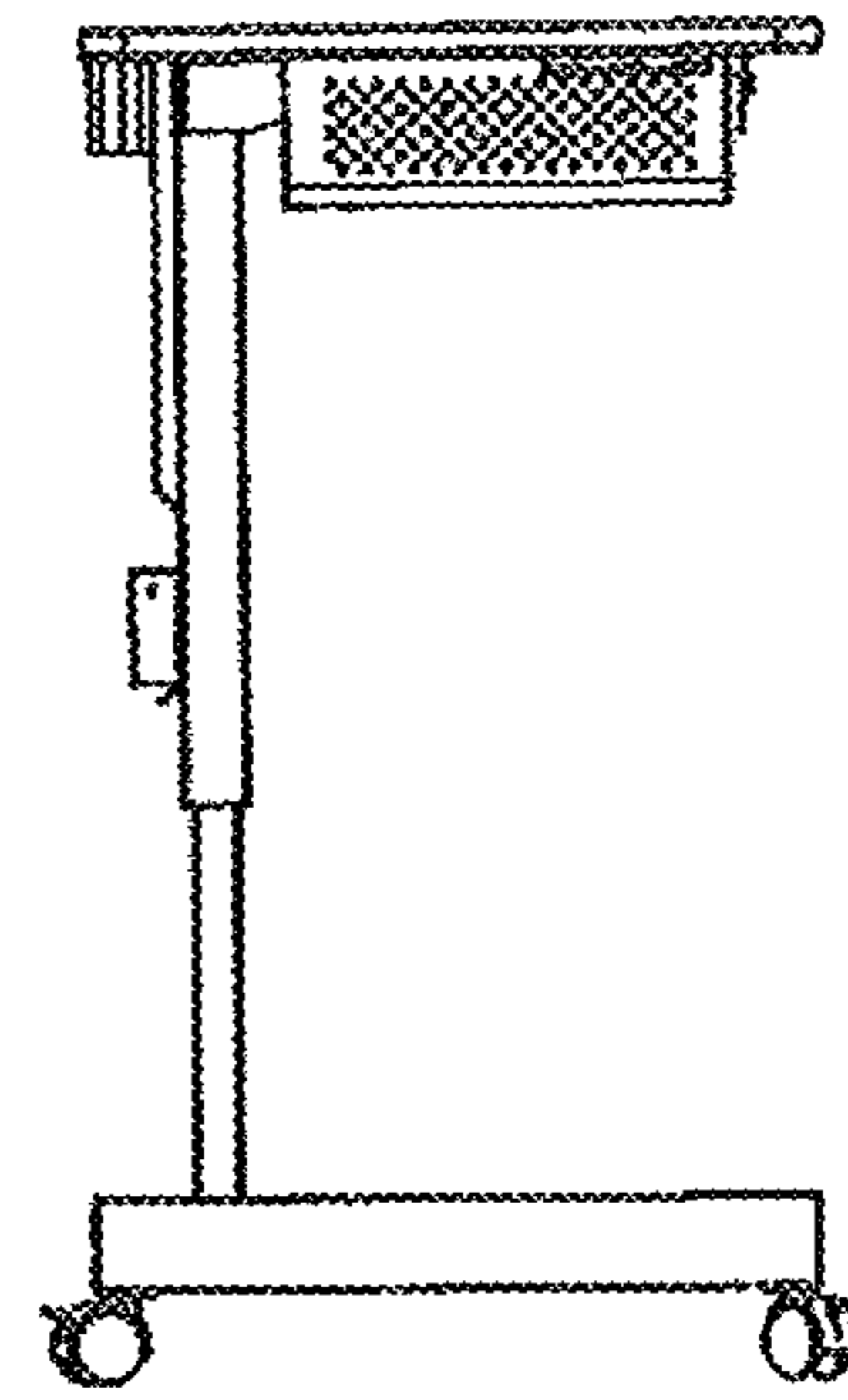


FIG. 6

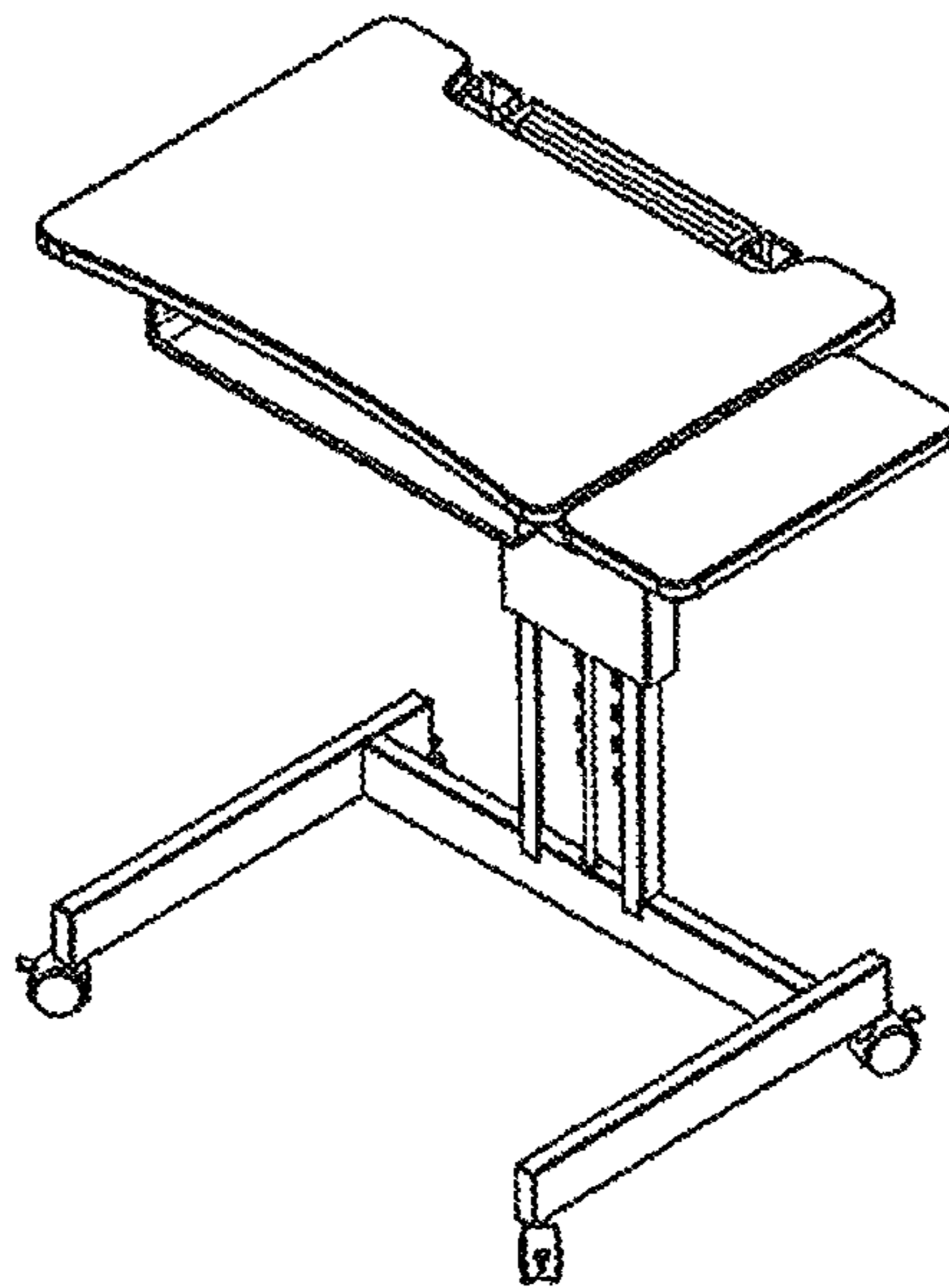


FIG. 7