



US00D743710S

(12) **United States Design Patent**  
**Citterio**

(10) **Patent No.:** **US D743,710 S**  
(45) **Date of Patent:** **\*\* Nov. 24, 2015**

(54) **FURNITURE**

(71) Applicant: **B&B ITALIA S.p.A.**, Milan (IT)

(72) Inventor: **Antonio Citterio**, Milan (IT)

(73) Assignee: **B&B ITALIA S.p.A.**, Milan (IT)

(\*\*) Term: **14 Years**

(21) Appl. No.: **29/504,269**

(22) Filed: **Oct. 3, 2014**

(30) **Foreign Application Priority Data**

Apr. 4, 2014 (IT) ..... MI2014O0056

(51) **LOC (10) Cl.** ..... **06-01**

(52) **U.S. Cl.**  
USPC ..... **D6/375**

(58) **Field of Classification Search**  
USPC ..... D6/334–336, 364, 371, 373, 374, 375,  
D6/376, 379, 380, 716, 716.1, 716.2,  
D6/716.3, 716.4  
CPC ..... A47C 3/04; A47C 4/02; A47C 4/03;  
A47C 5/06; A47C 5/12; A47C 7/54  
See application file for complete search history.

(56) **References Cited**

**U.S. PATENT DOCUMENTS**

D193,708 S \* 10/1962 Keown ..... D6/375  
D205,658 S \* 9/1966 Muller ..... D6/374

D334,296 S \* 3/1993 Hutton ..... D6/374  
D355,985 S \* 3/1995 Karten et al. .... D6/374  
D515,325 S \* 2/2006 Goldman ..... D6/375  
D572,928 S \* 7/2008 Rittfeldt et al. .... D6/375  
D646,496 S \* 10/2011 Fukasawa ..... D6/364  
D676,690 S \* 2/2013 Pheasant ..... D6/716.4  
D690,950 S \* 10/2013 Lievore et al. .... D6/375  
D690,975 S \* 10/2013 Lievore et al. .... D6/716  
D698,162 S \* 1/2014 Kita ..... D6/335  
D709,297 S \* 7/2014 Starck ..... D6/375  
D709,711 S \* 7/2014 Citterio ..... D6/379

\* cited by examiner

*Primary Examiner* — Mimosa De

(74) *Attorney, Agent, or Firm* — Thomas|Horstemeyer, LLP

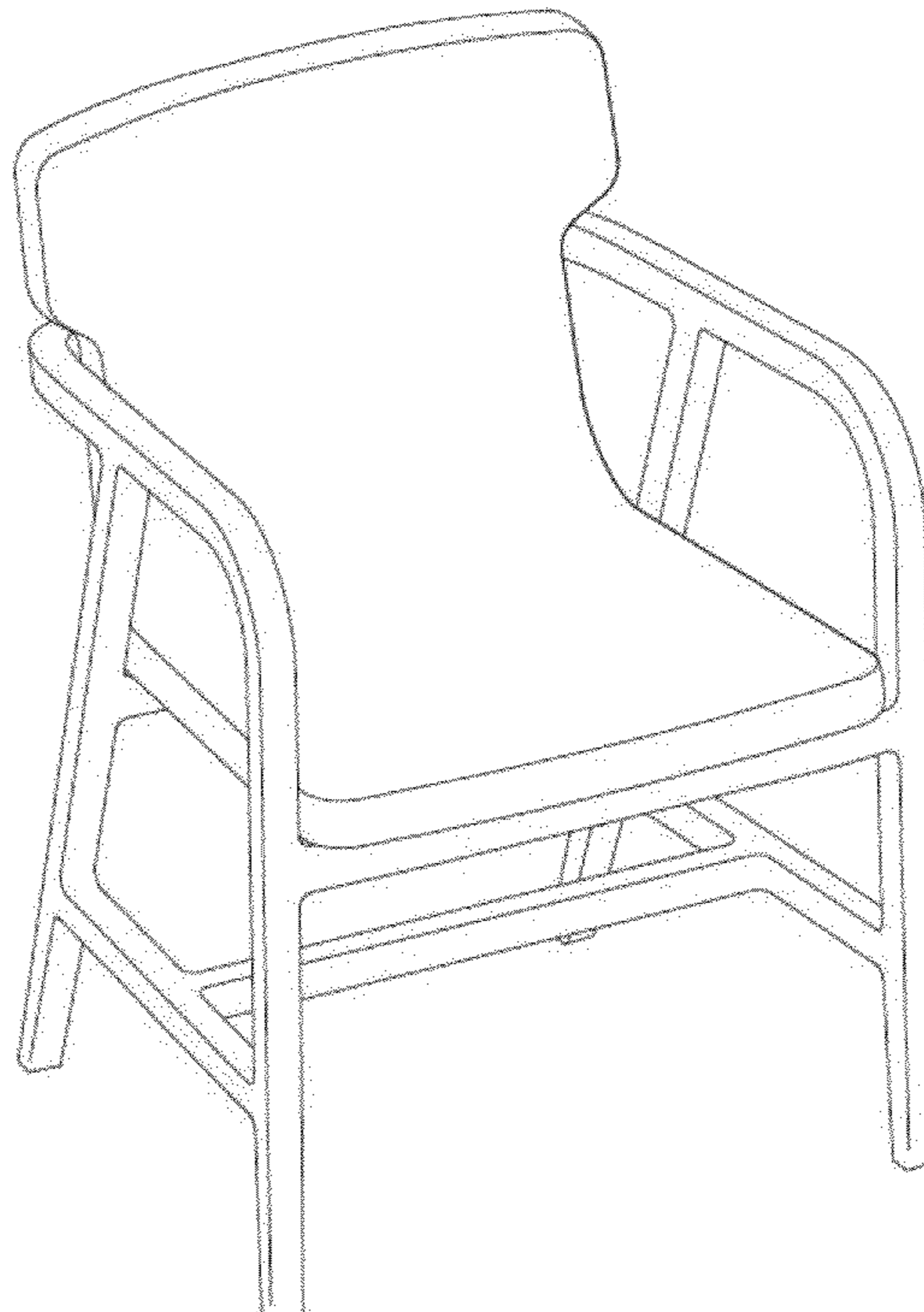
(57) **CLAIM**

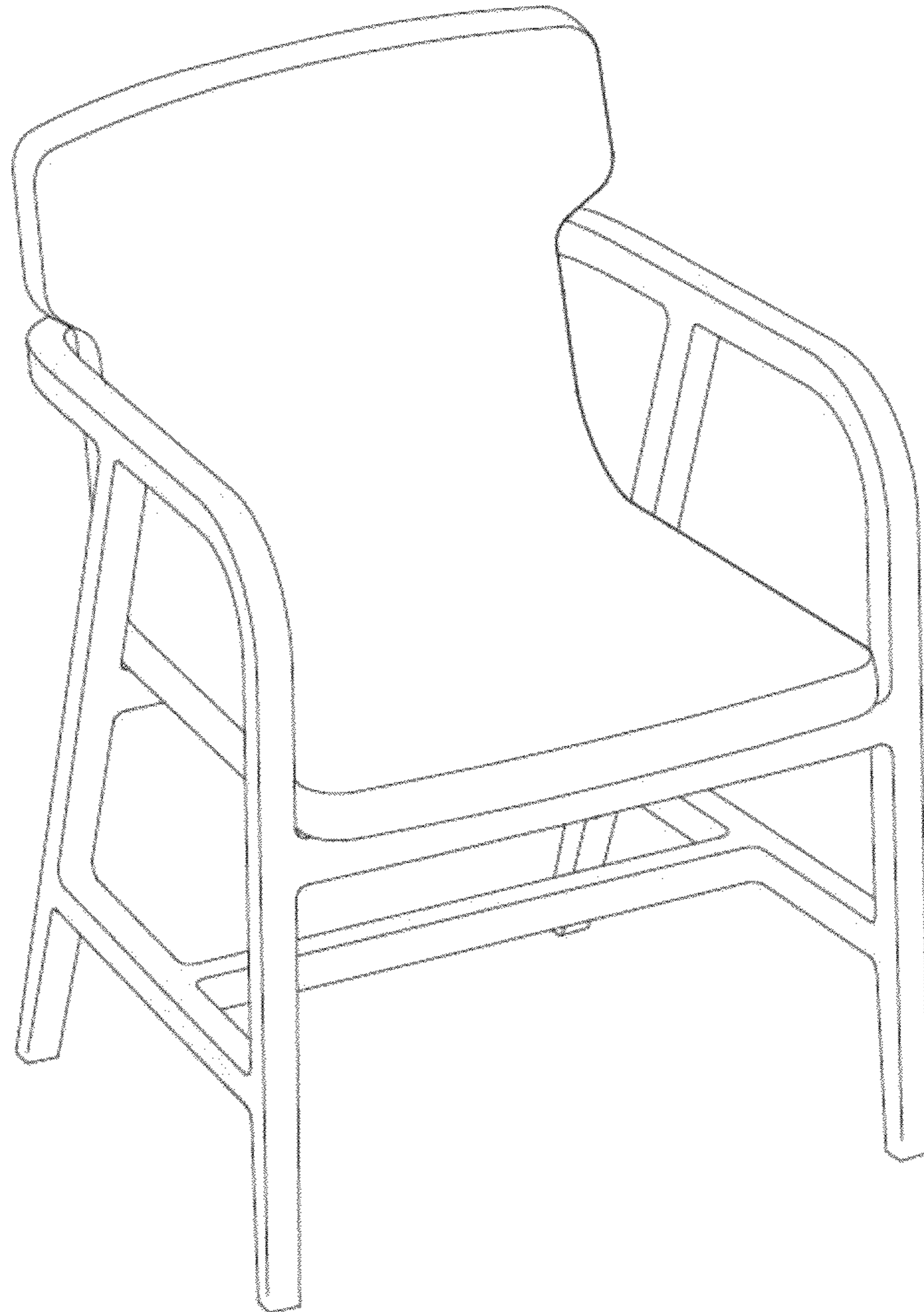
The ornamental design for furniture, as shown and described.

**DESCRIPTION**

FIG. 1 is a front perspective view of my new furniture;  
FIG. 2 is a bottom perspective view of my new furniture of  
FIG. 1 from the rear of the furniture;  
FIG. 3 is a front view of my new furniture of FIG. 1;  
FIG. 4 is a rear view of my new furniture, opposite that of FIG.  
3;  
FIG. 5 is a side view of my new furniture of FIG. 1;  
FIG. 6 is another side elevational view of my new furniture,  
from a side opposite that of FIG. 5;  
FIG. 7 is a top view of my new furniture; and,  
FIG. 8 is a bottom view of my new furniture.

**1 Claim, 8 Drawing Sheets**





**FIG. 1**

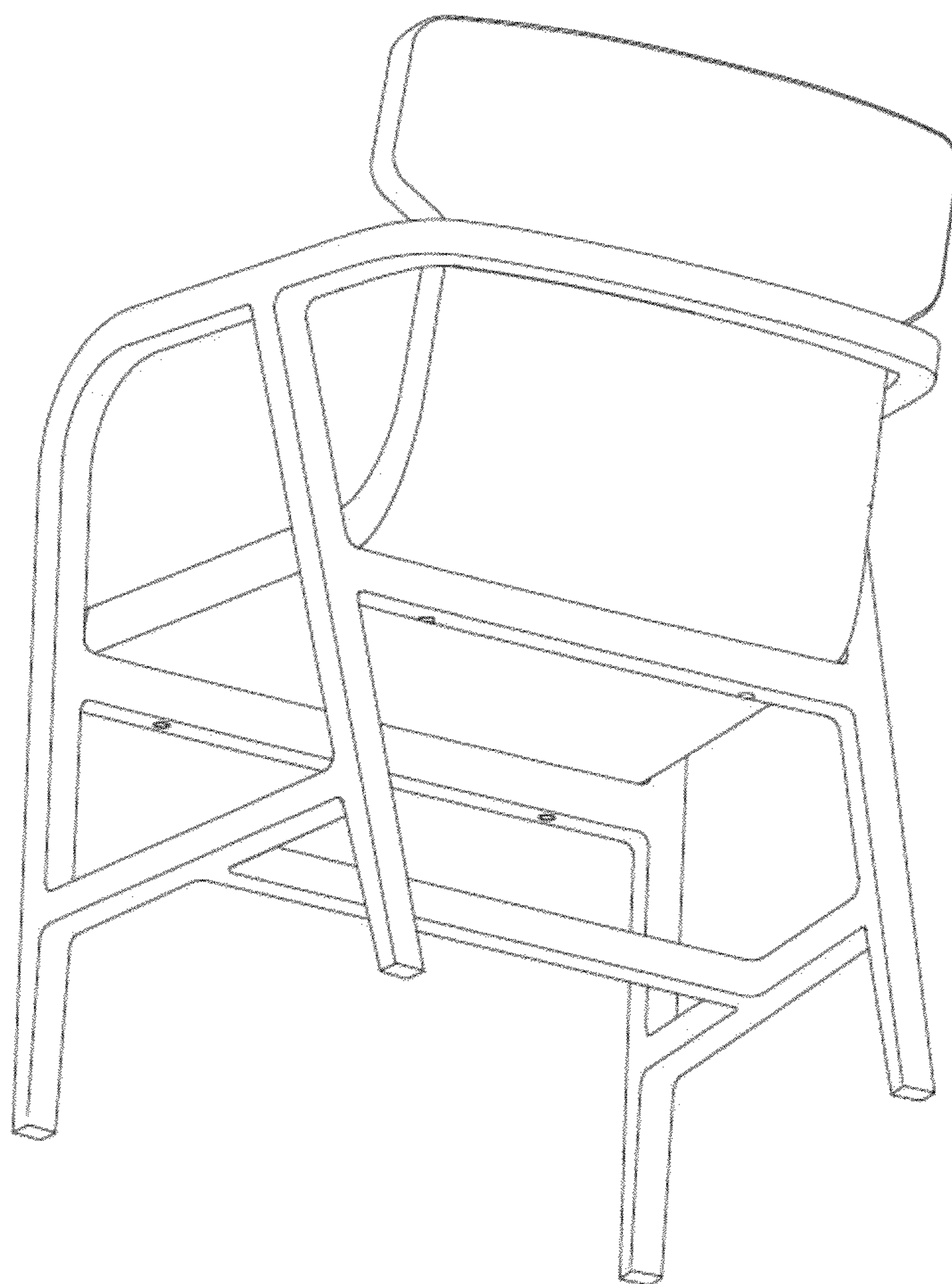


FIG. 2

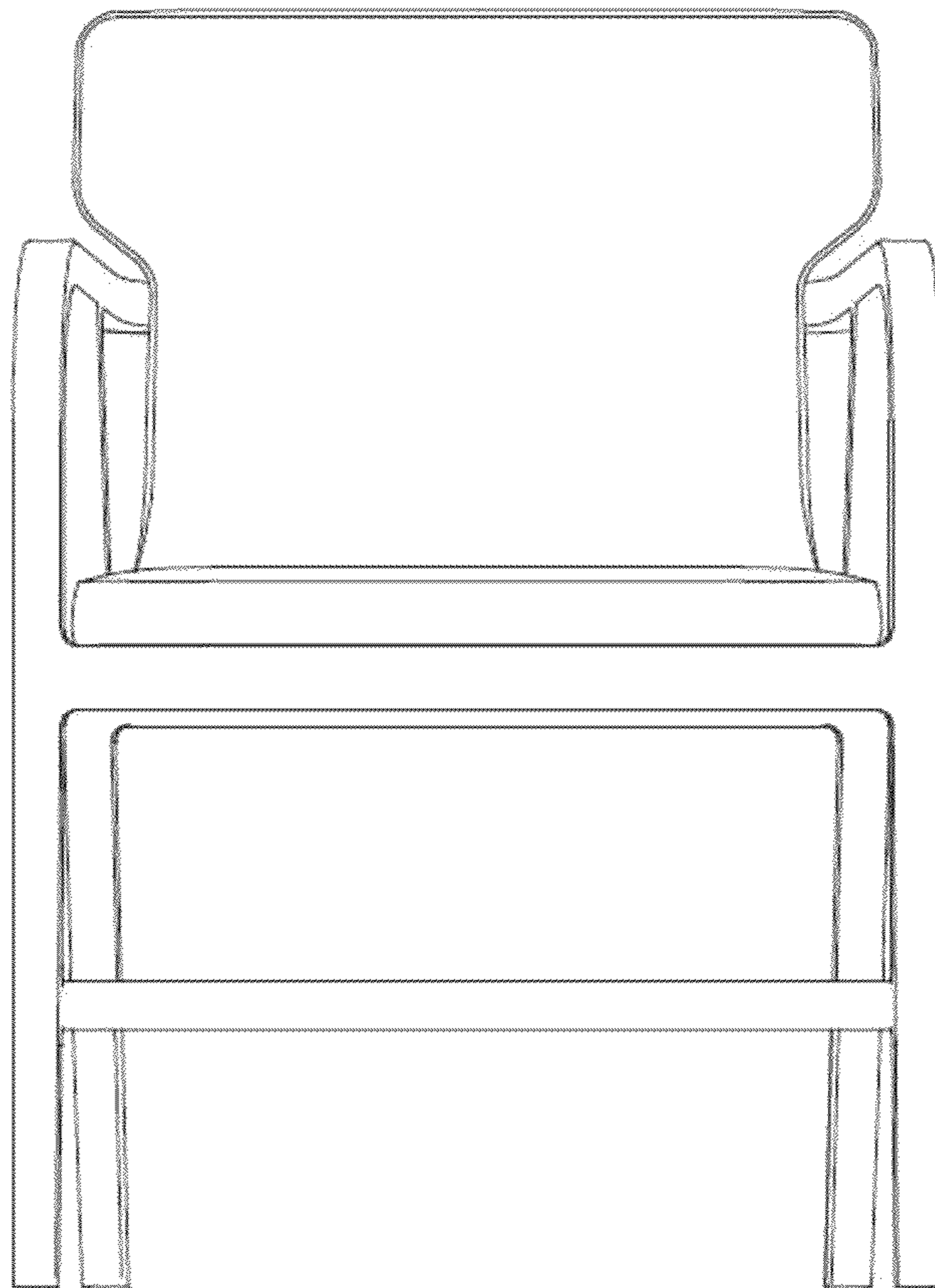


FIG. 3

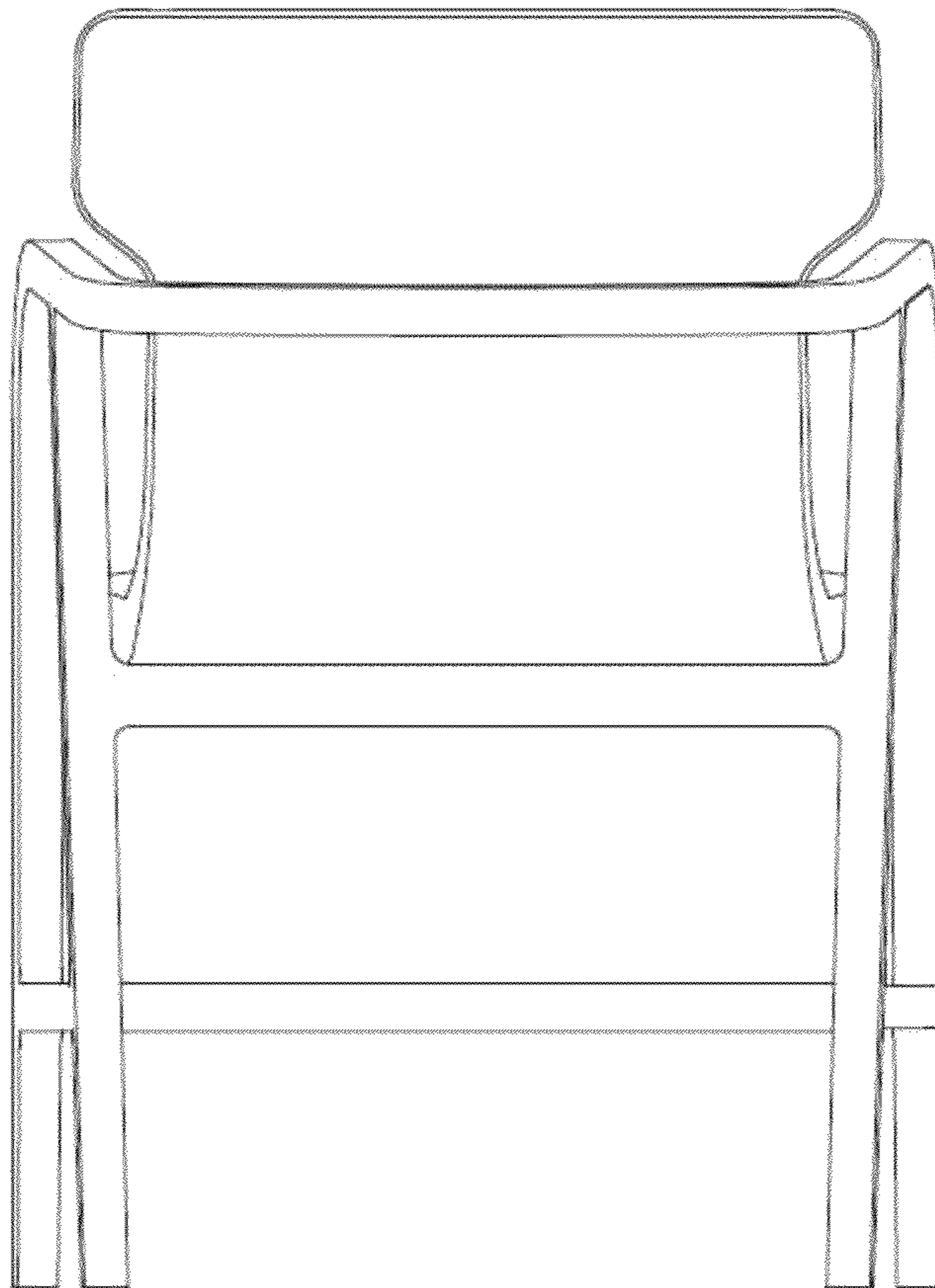


FIG. 4

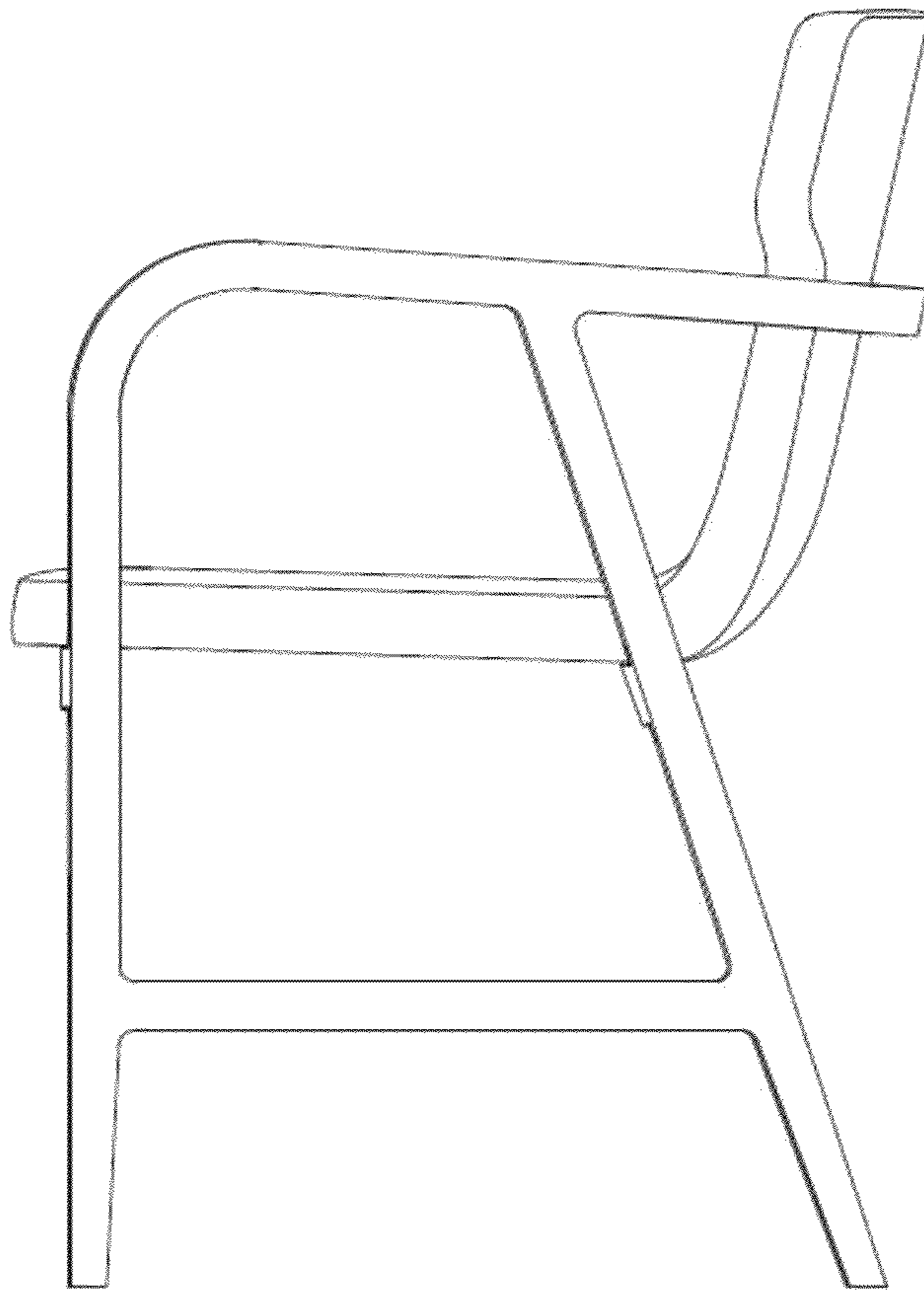


FIG. 5

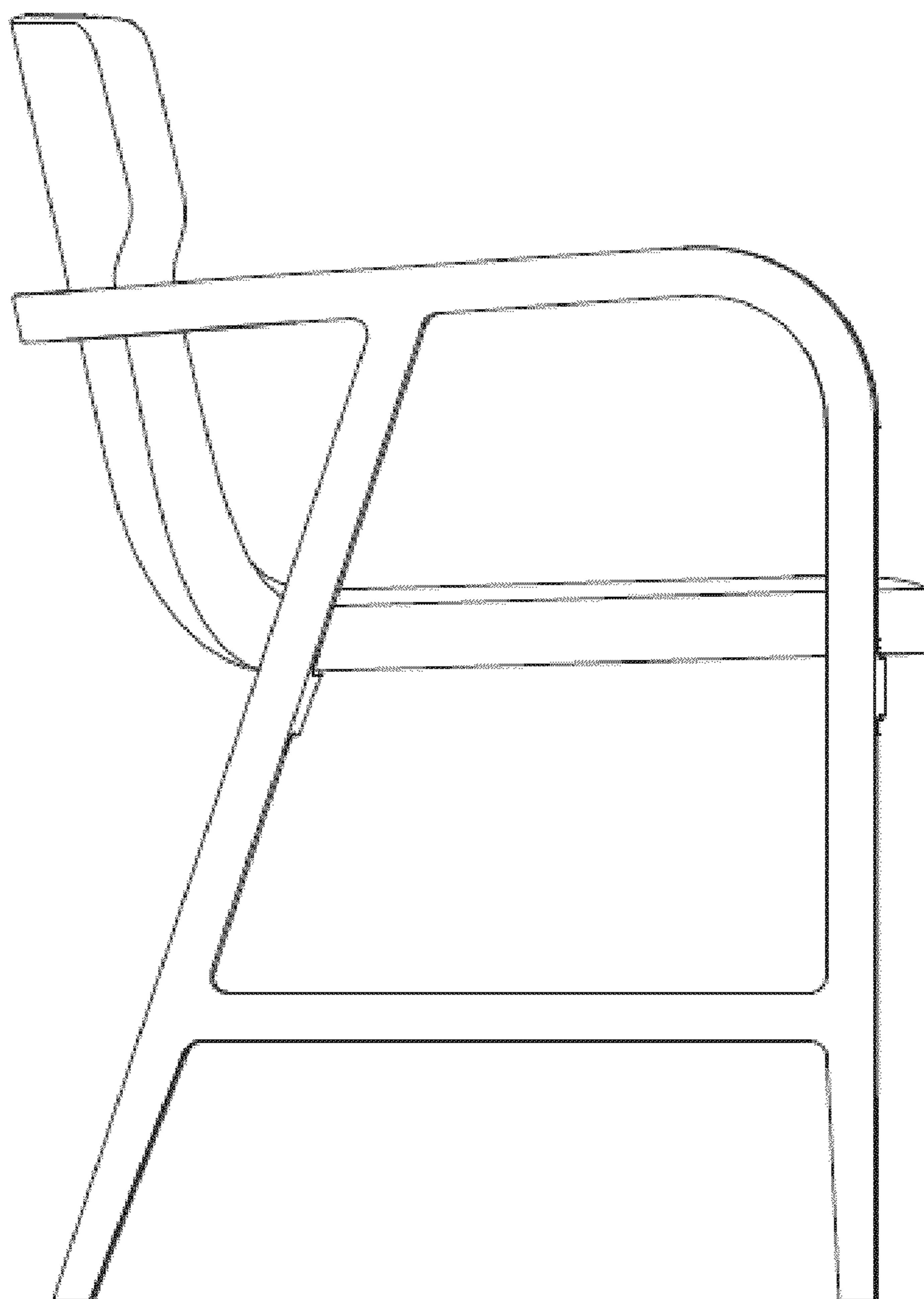


FIG. 6

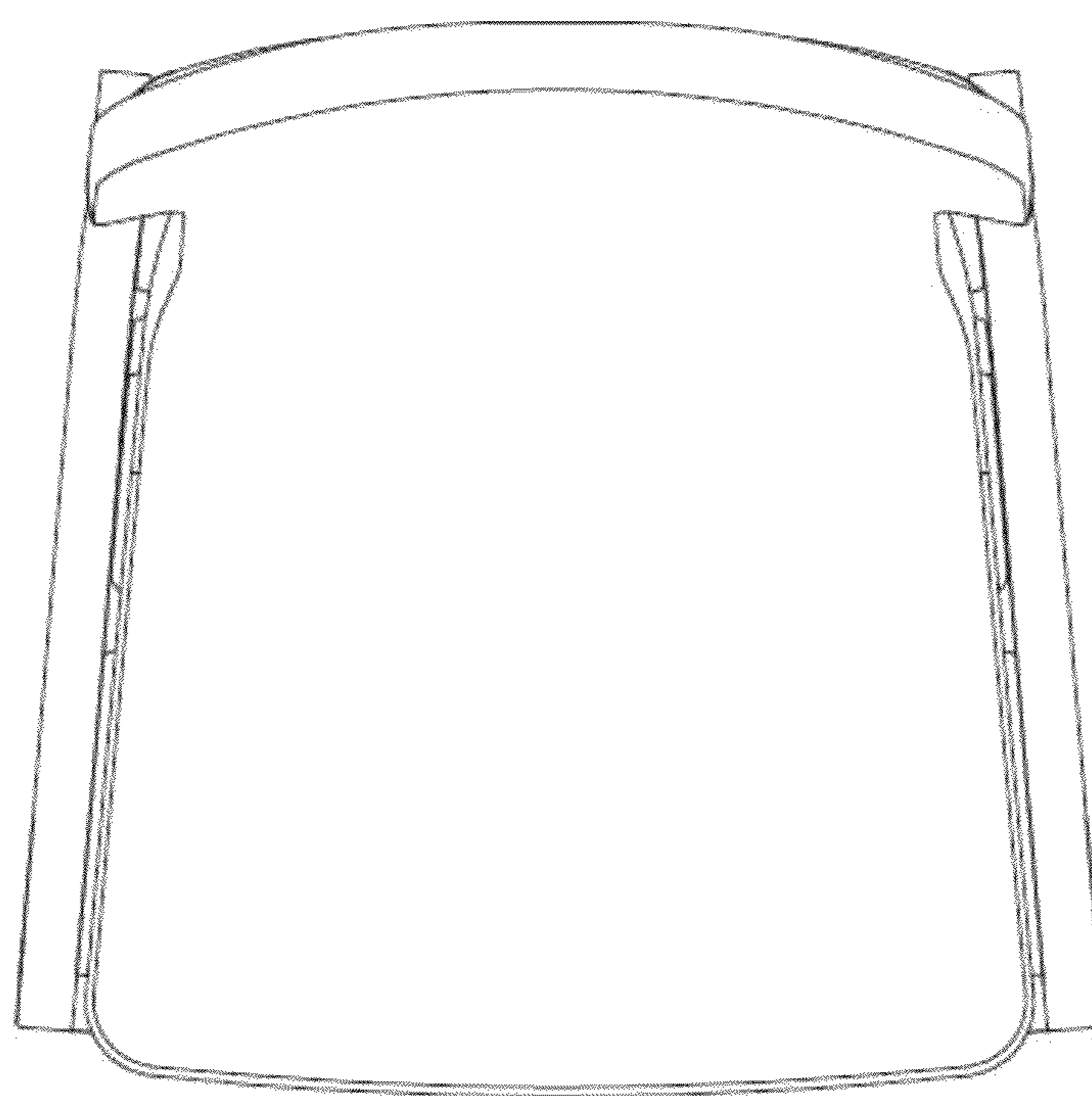


FIG. 7



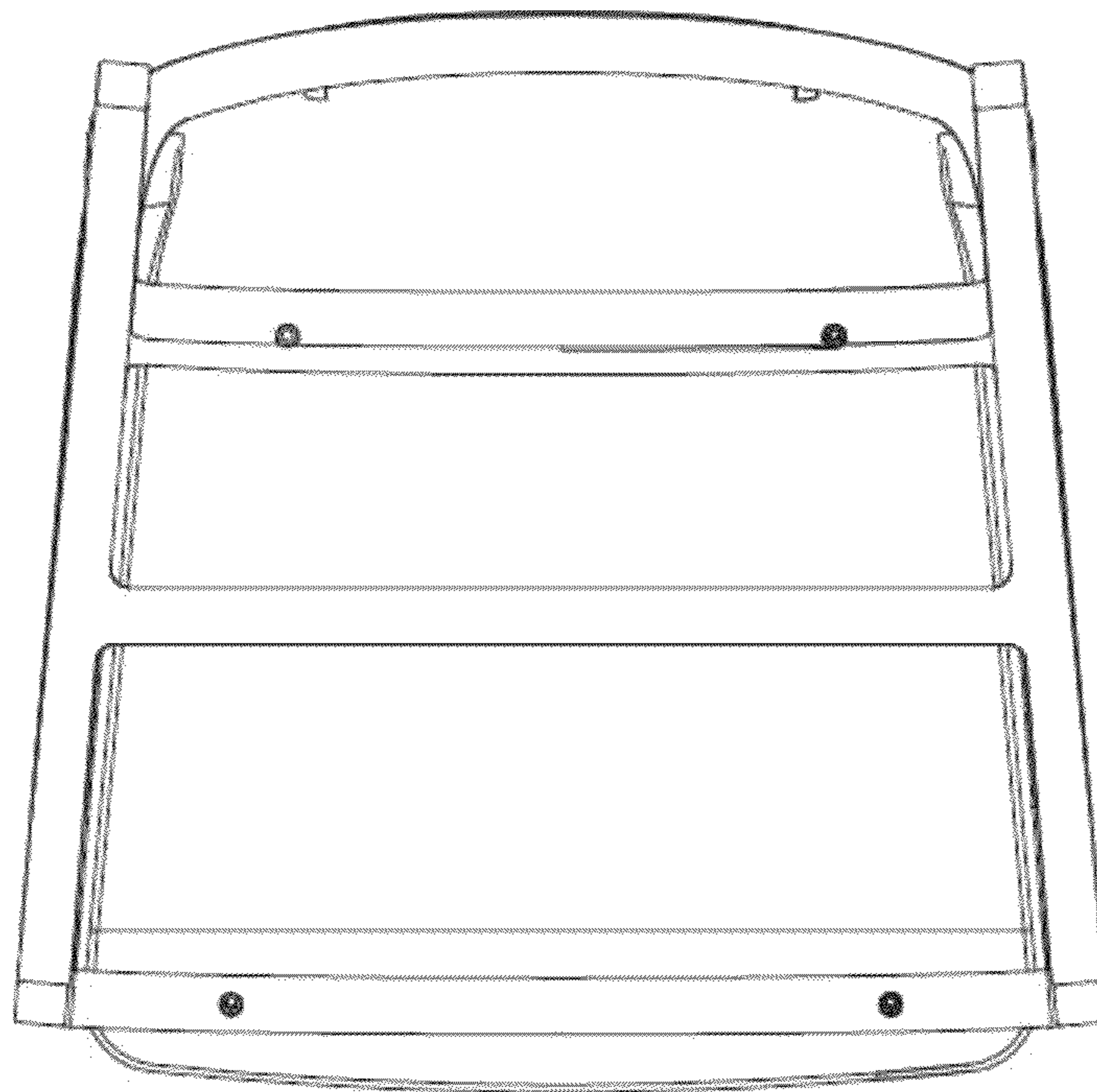


FIG. 8