



US00D743709S

(12) **United States Design Patent**
Rubel

(10) **Patent No.:** **US D743,709 S**

(45) **Date of Patent:** **** Nov. 24, 2015**

(54) **FOLDING CHAIR**

(71) Applicant: **Michelle Rubel**, Encinitas, CA (US)

(72) Inventor: **Michelle Rubel**, Encinitas, CA (US)

(**) Term: **14 Years**

(21) Appl. No.: **29/482,274**

(22) Filed: **Feb. 17, 2014**

(51) **LOC (10) Cl.** **06-01**

(52) **U.S. Cl.**
USPC **D6/368**

(58) **Field of Classification Search**

USPC D6/334–336, 368, 374, 375, 376, 379,
D6/380, 716, 716.1, 716.2, 716.4

CPC A47C 1/46; A47C 1/028; A47C 1/0265;
A47C 4/28; A47C 4/283; A47C 4/22; A47C
4/24; A47C 7/54

See application file for complete search history.

(56) **References Cited**

U.S. PATENT DOCUMENTS

D77,663	S	*	2/1929	Aldrick et al.	D6/368
D239,746	S	*	5/1976	Narduzzi	D6/368
D248,344	S	*	7/1978	Uchida	D6/368
4,514,009	A	*	4/1985	Vanderminden et al.	A47C 4/22	
D353,496	S	*	12/1994	Dones et al.	D6/368
D360,082	S	*	7/1995	Tseng	D6/368
D417,561	S	*	12/1999	Liu	D6/368

D461,326	S	*	8/2002	Bouroullec et al.	D6/368
6,764,132	B1	*	7/2004	Gaertner	A47C 1/0265
D531,831	S	*	11/2006	Andersson	D6/368
D571,113	S	*	6/2008	Cohen	D6/368
D665,184	S	*	8/2012	Pedersen	D6/368

* cited by examiner

Primary Examiner — Mimoso De

(74) *Attorney, Agent, or Firm* — Fish & Tsang, LLP

(57) **CLAIM**

The ornamental design for a folding chair, as substantially shown and described.

DESCRIPTION

FIG. 1 is a right side perspective view of a preferred embodiment.

FIG. 2 is a front view of a preferred embodiment.

FIG. 3 is a rear view of a preferred embodiment.

FIG. 4 is a left side view of a preferred embodiment.

FIG. 5 is a top view of a preferred embodiment.

FIG. 6 is a bottom view of a preferred embodiment.

FIG. 7 is a right side perspective view a first alternative embodiment.

FIG. 8 is a front view of a first alternative embodiment.

FIG. 9 is a rear view of a first alternative embodiment.

FIG. 10 is a left side view of a first alternative embodiment.

FIG. 11 is a top view of a first alternative embodiment; and,

FIG. 12 is a bottom view of a first alternative embodiment.

1 Claim, 8 Drawing Sheets

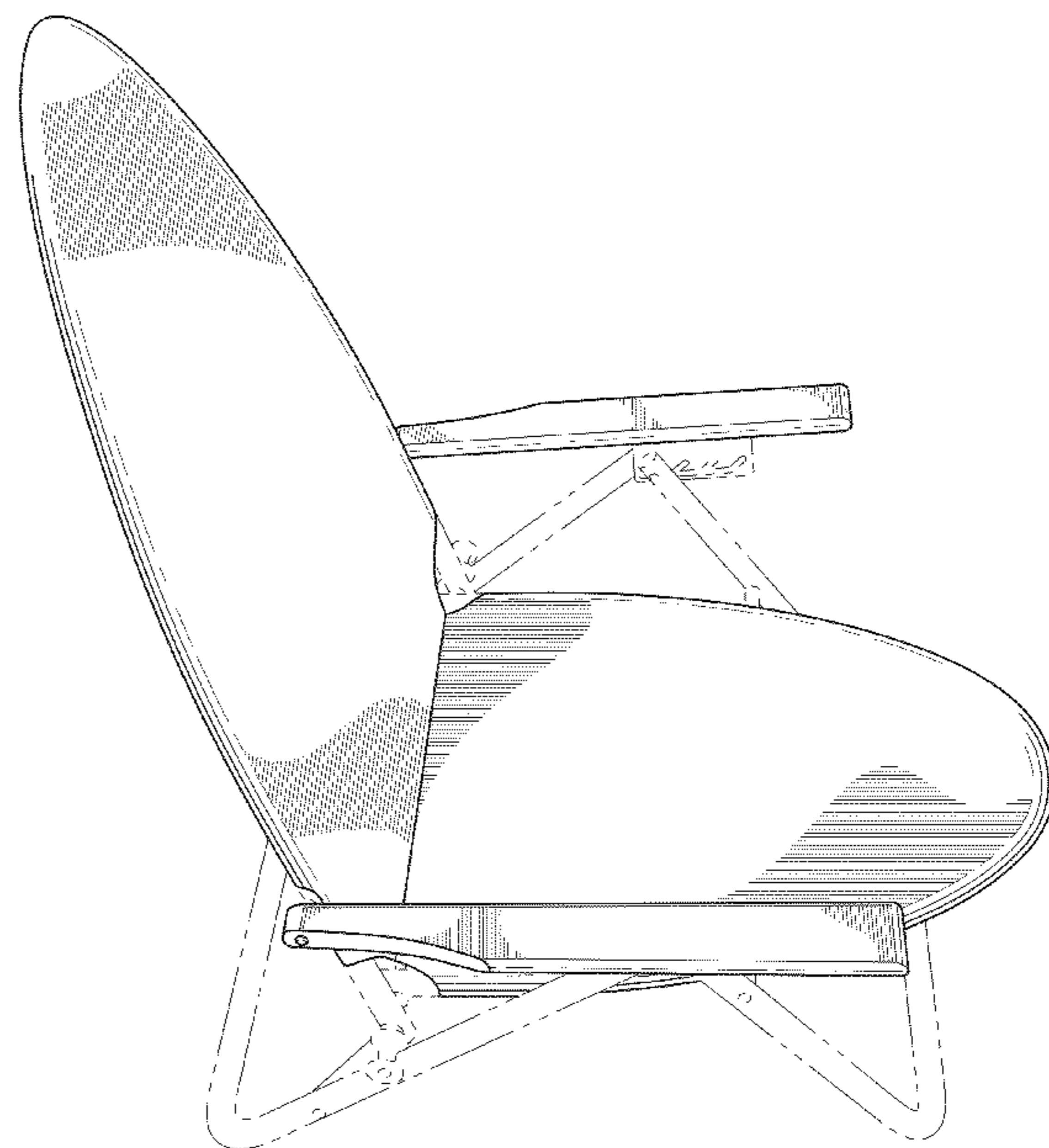
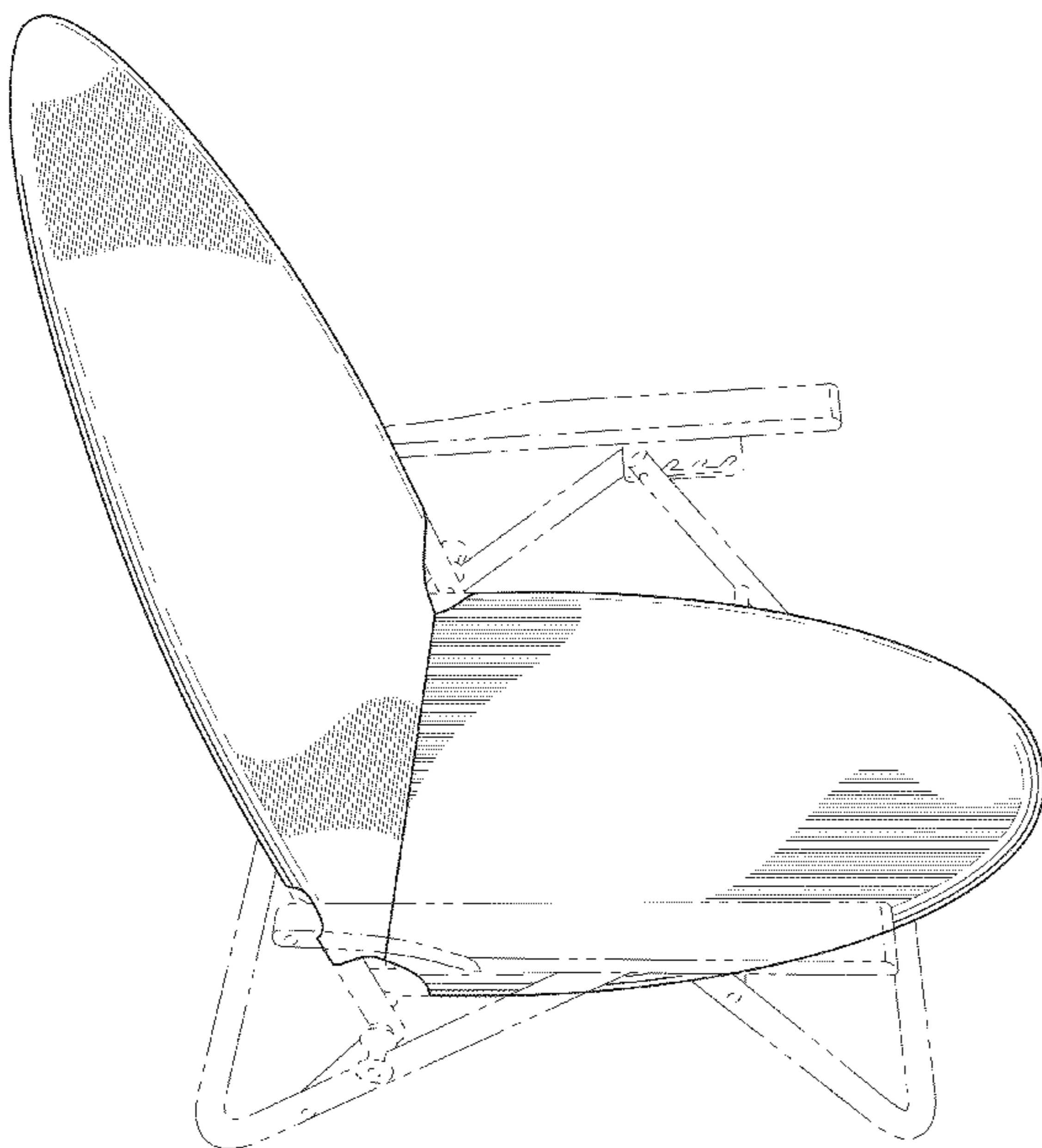
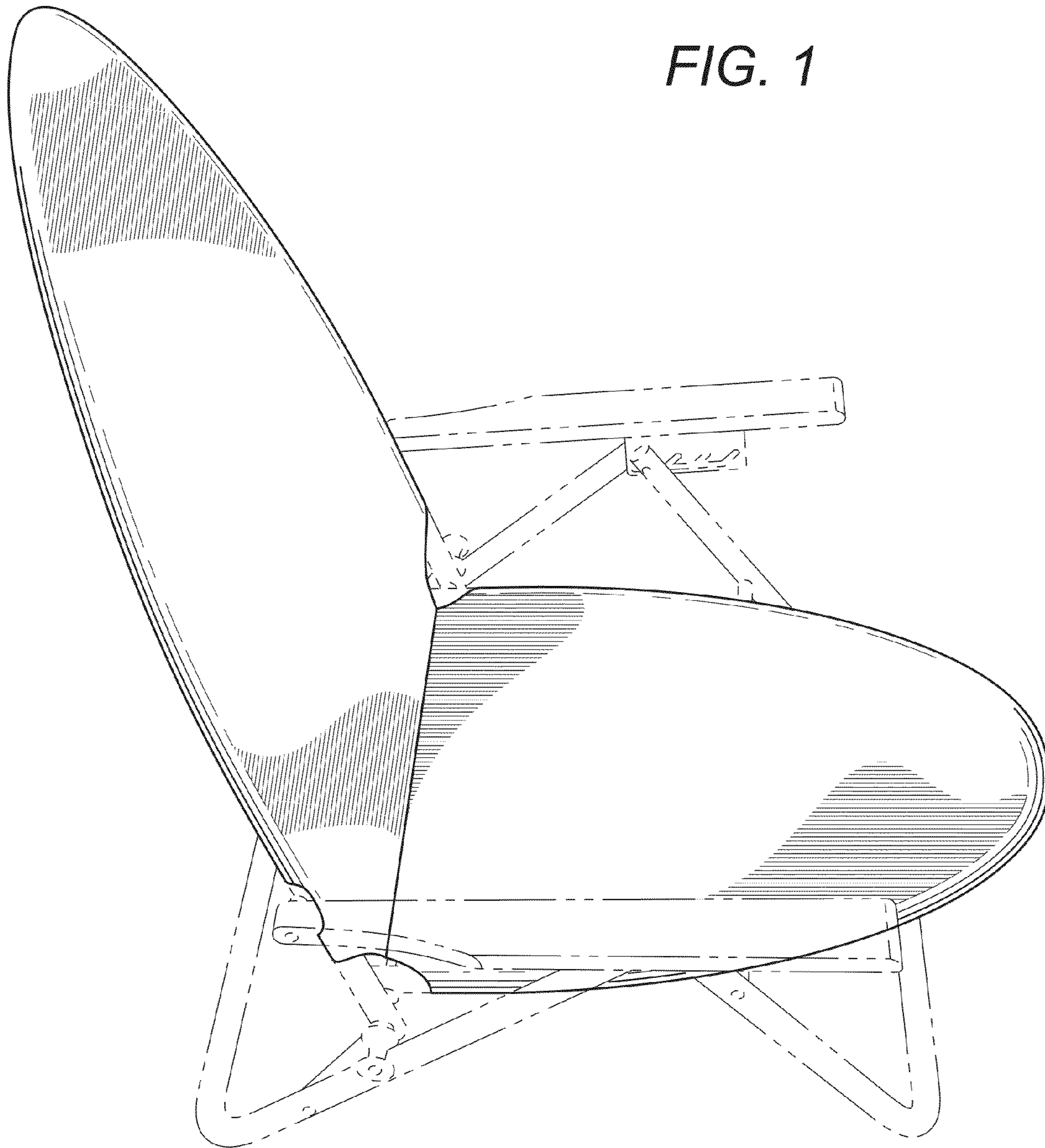


FIG. 1



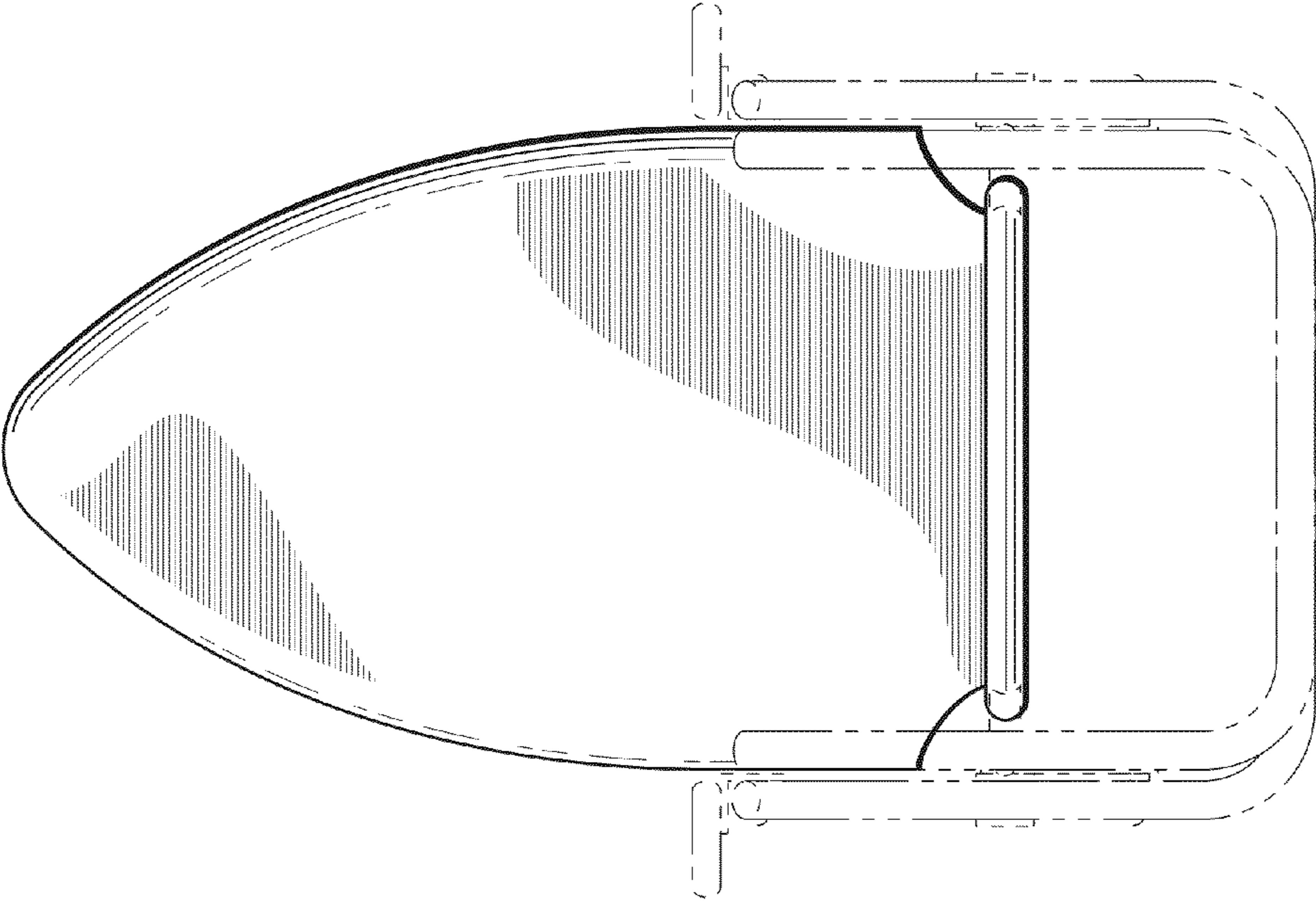


FIG. 2

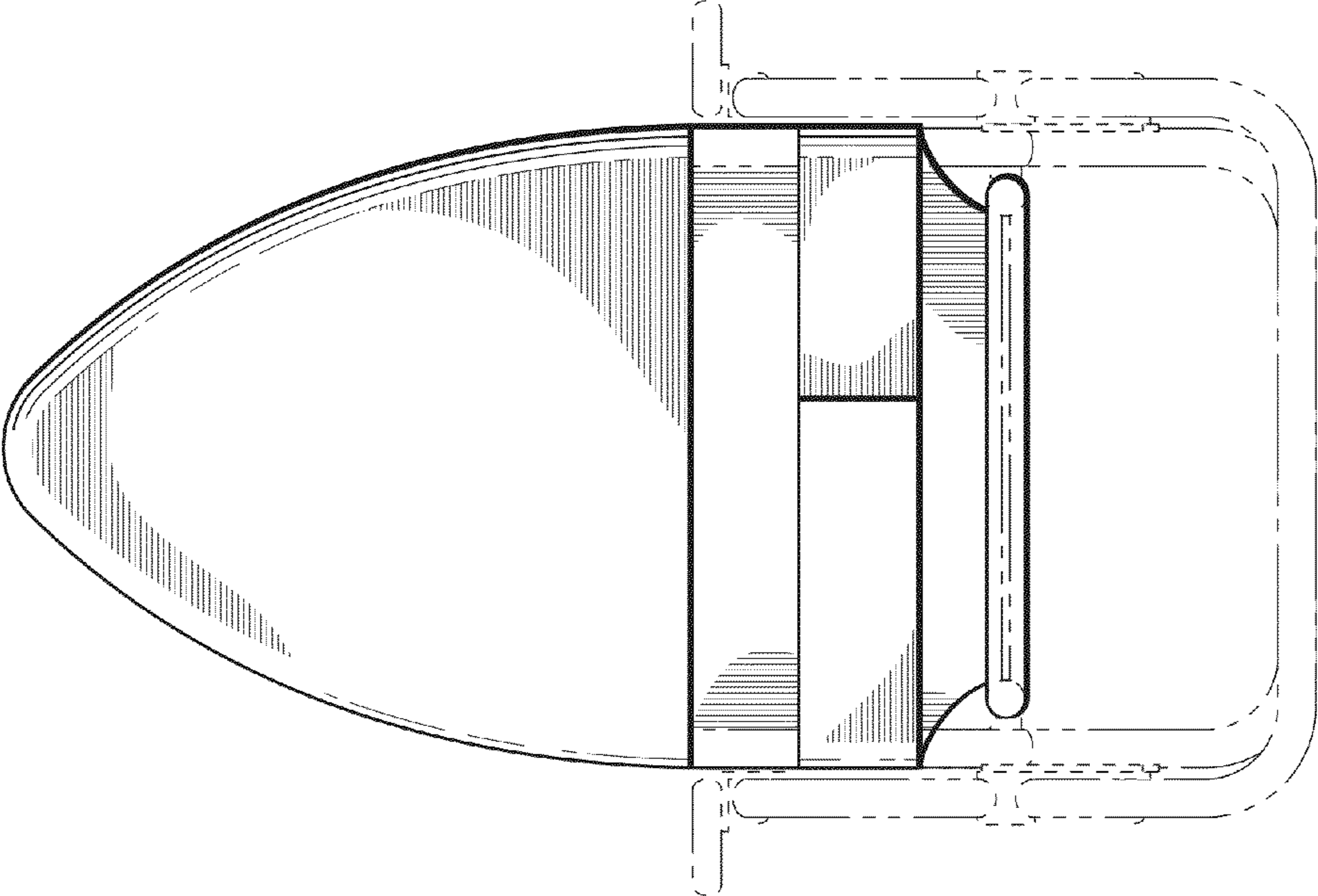


FIG. 3

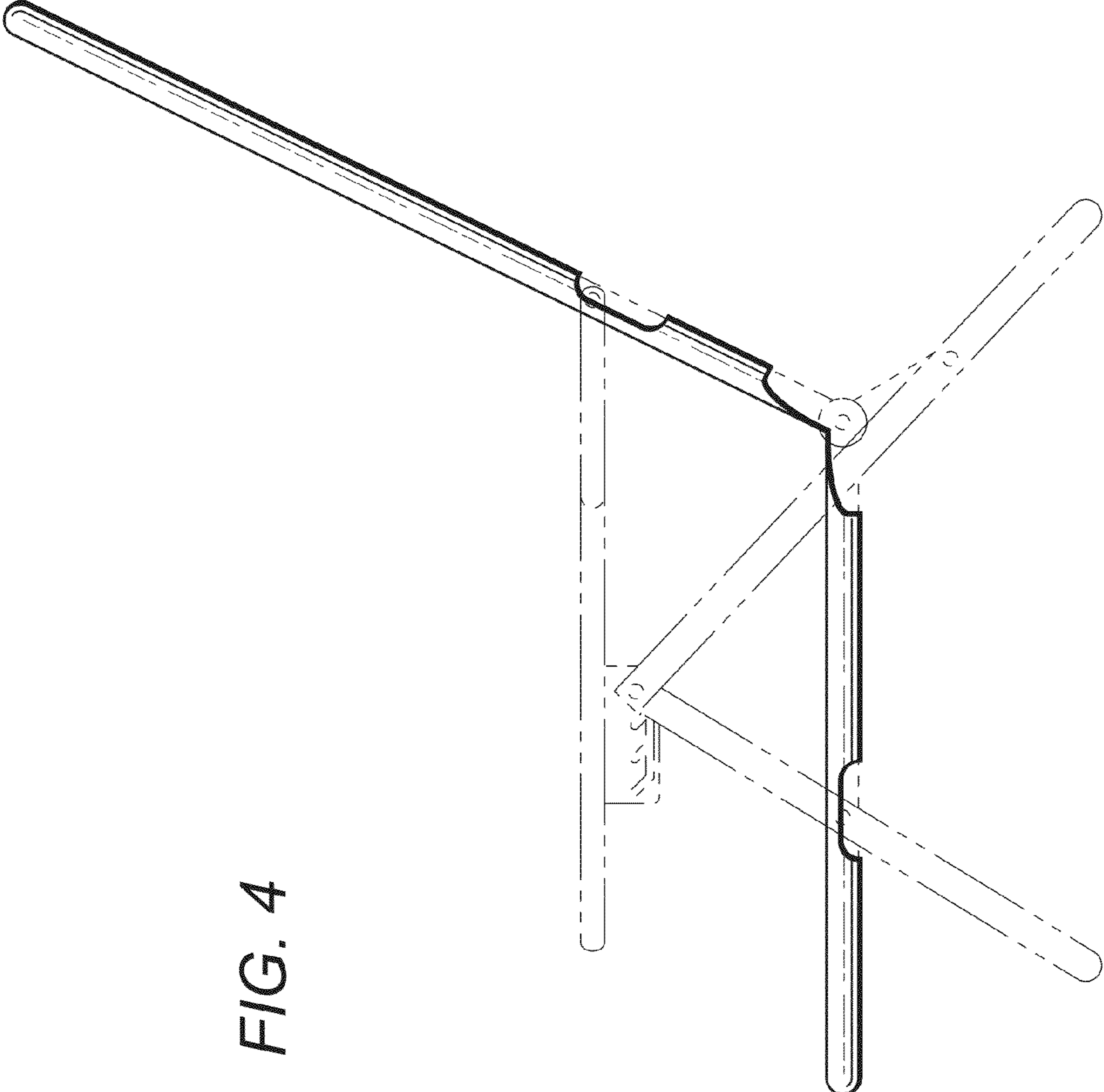


FIG. 4

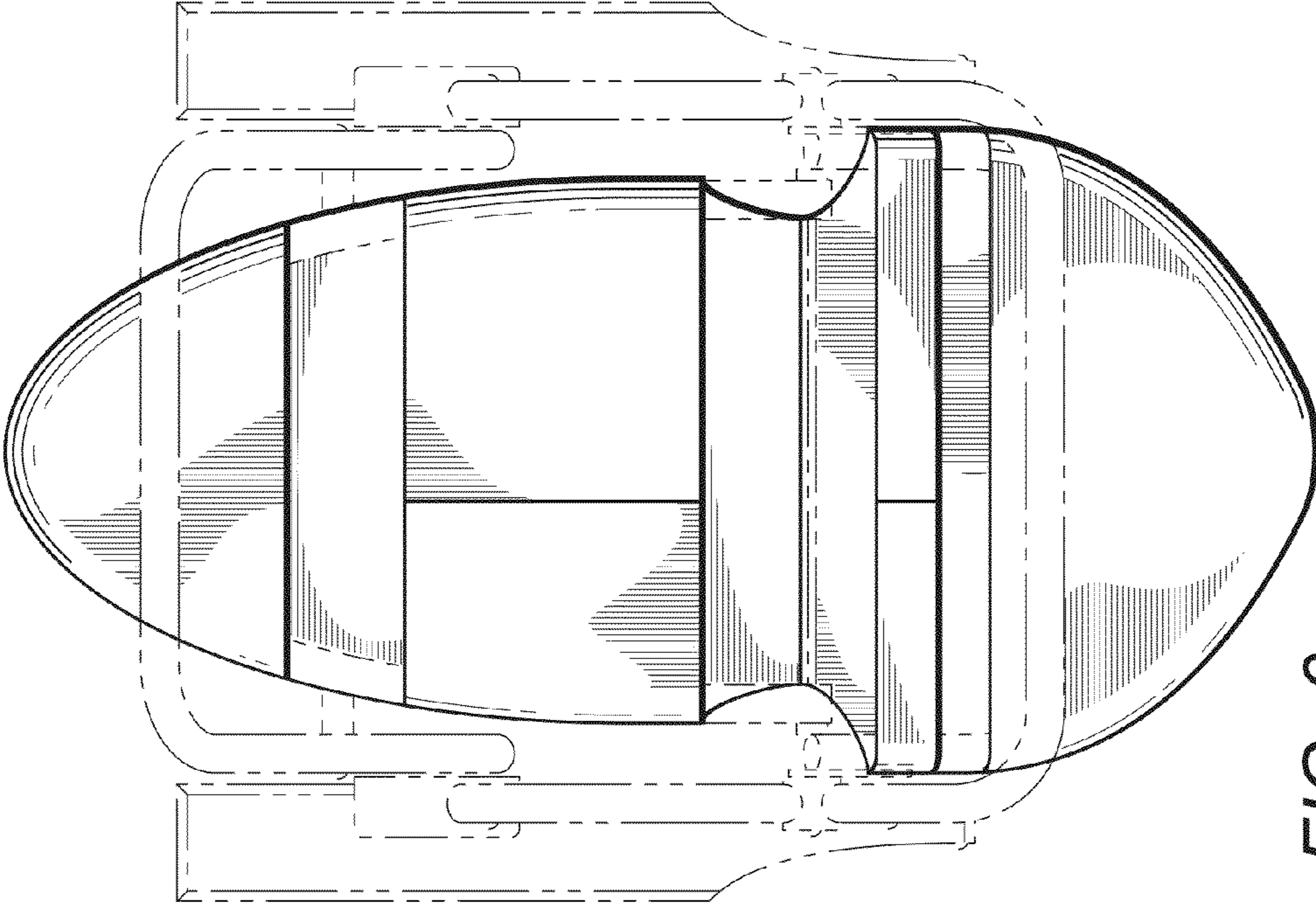


FIG. 6

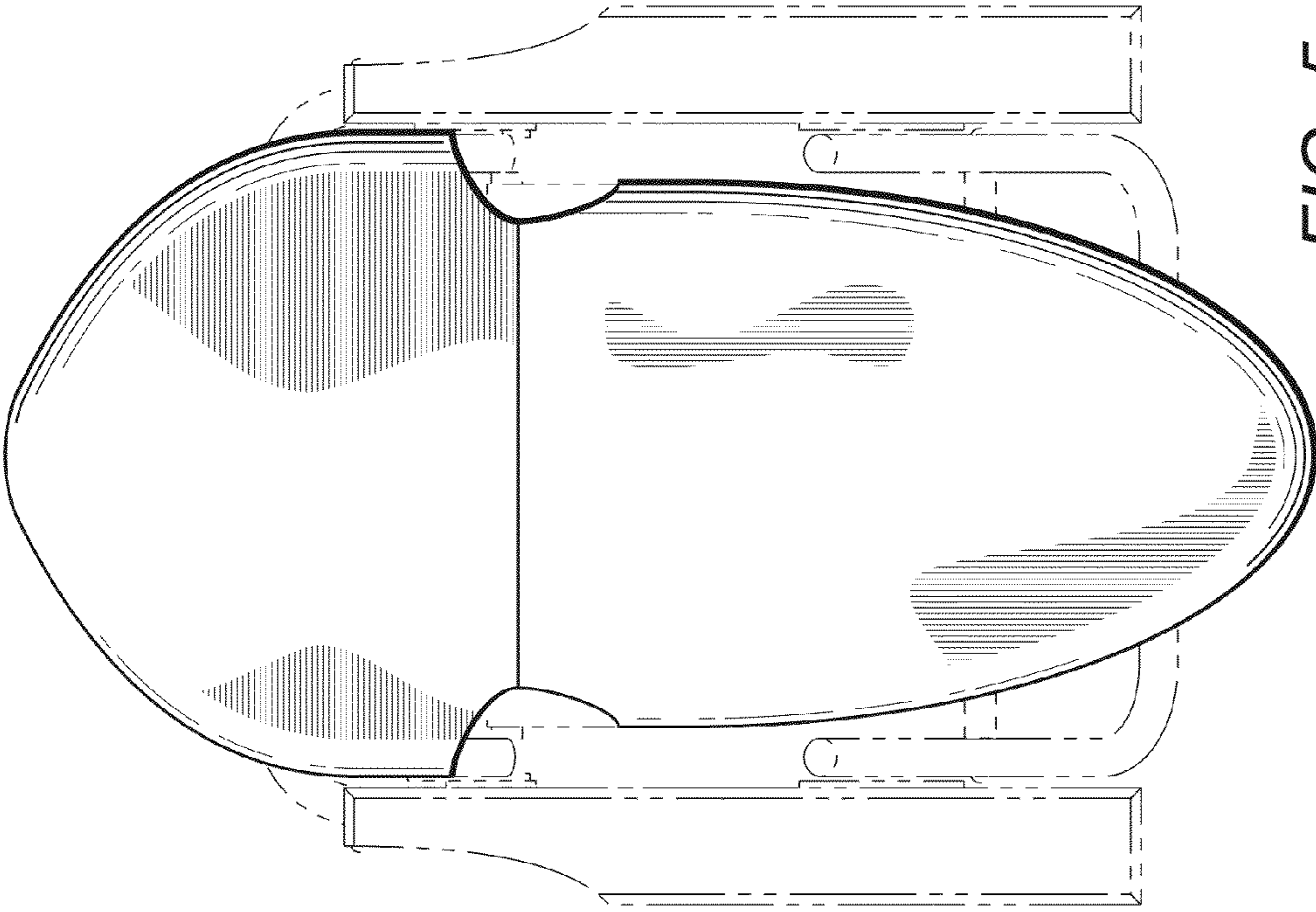
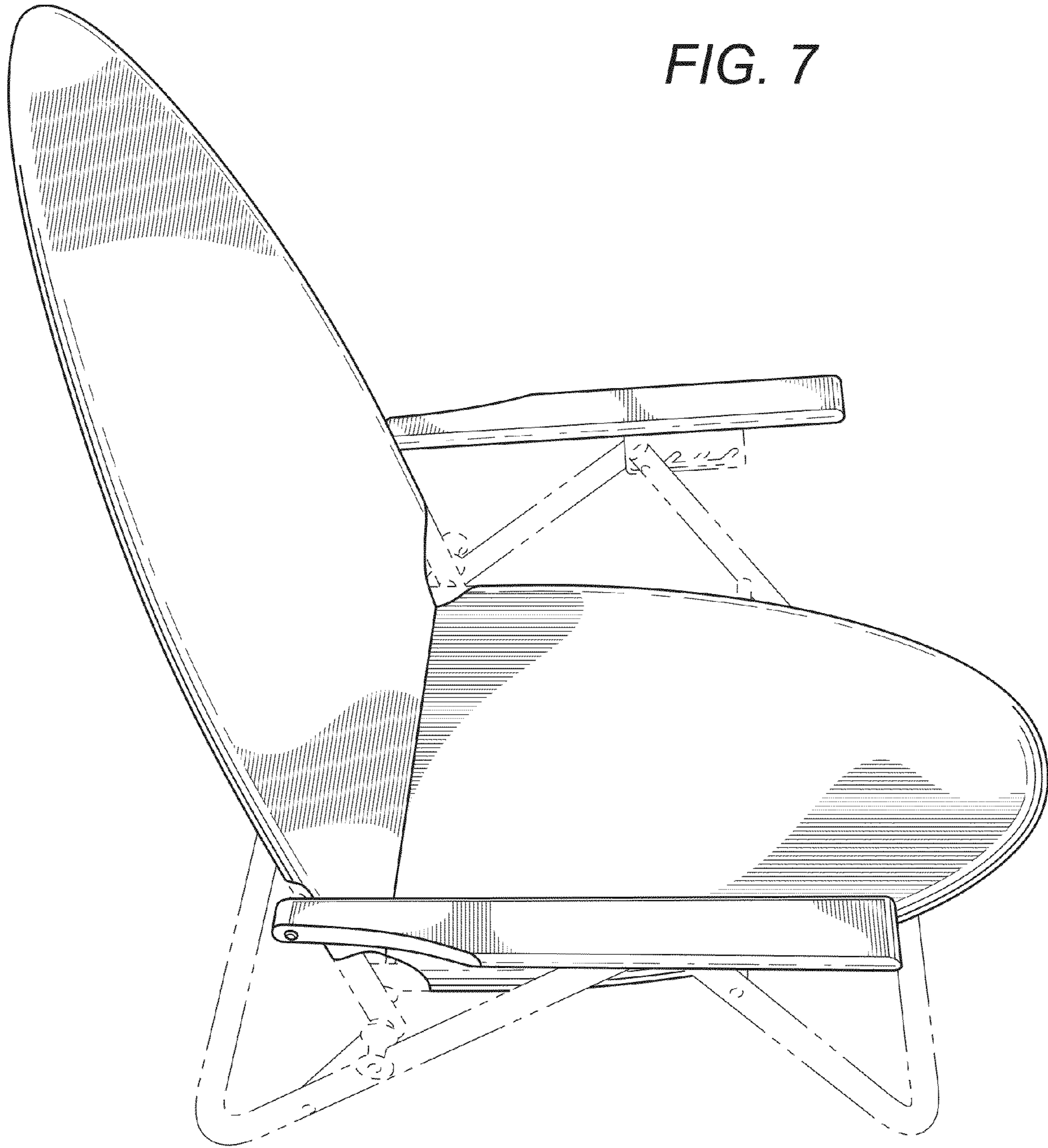


FIG. 5

FIG. 7



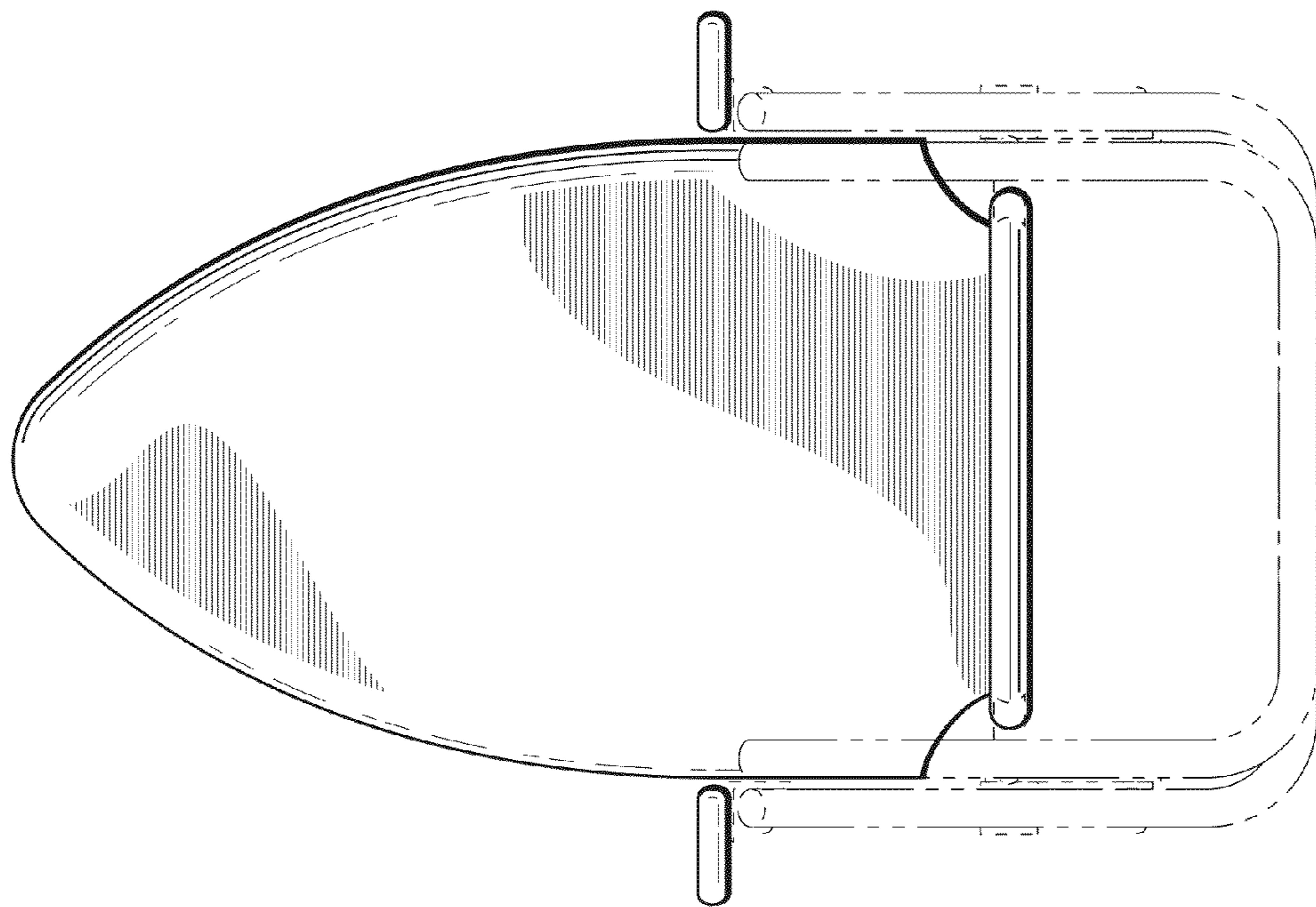


FIG. 8

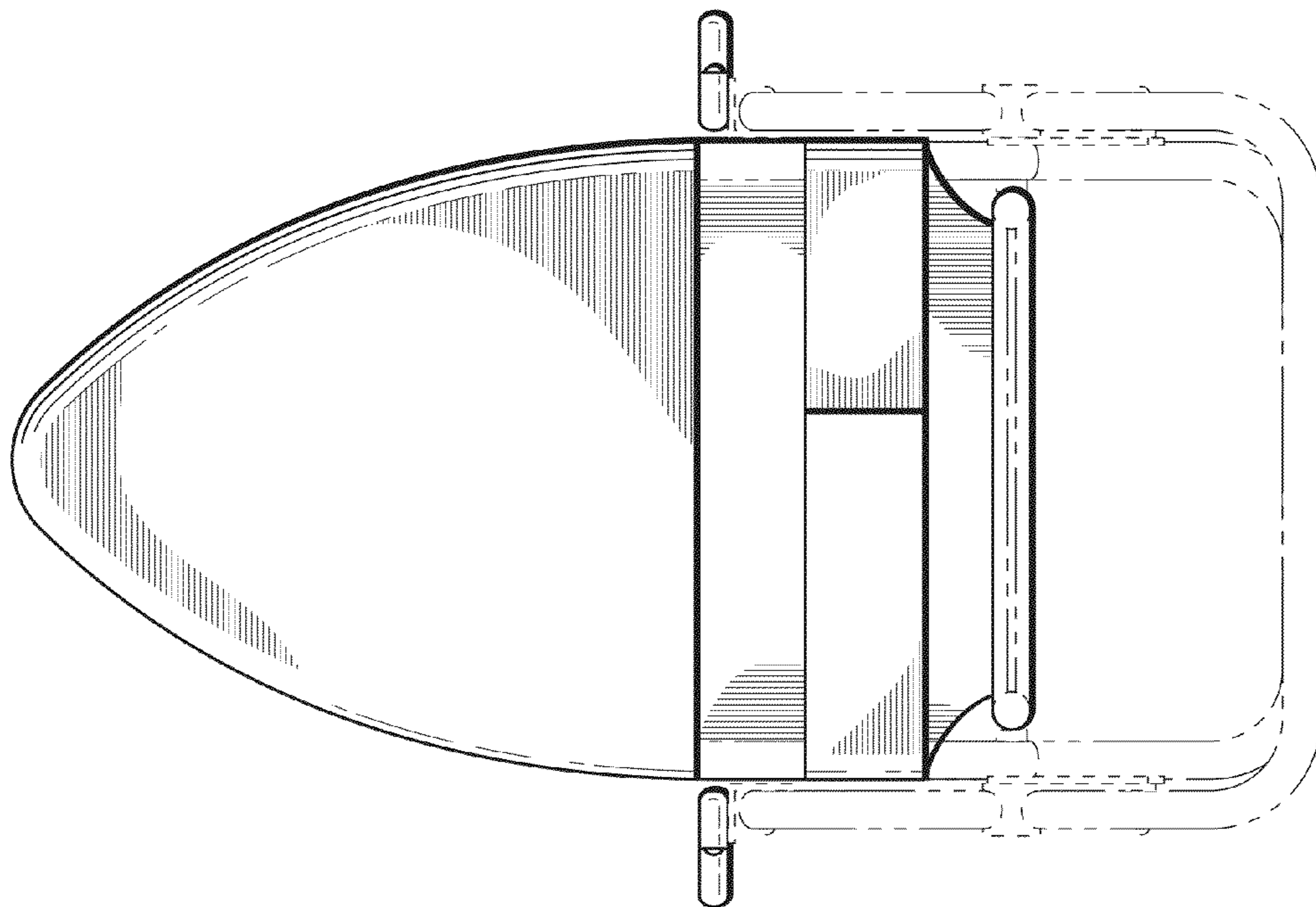


FIG. 9

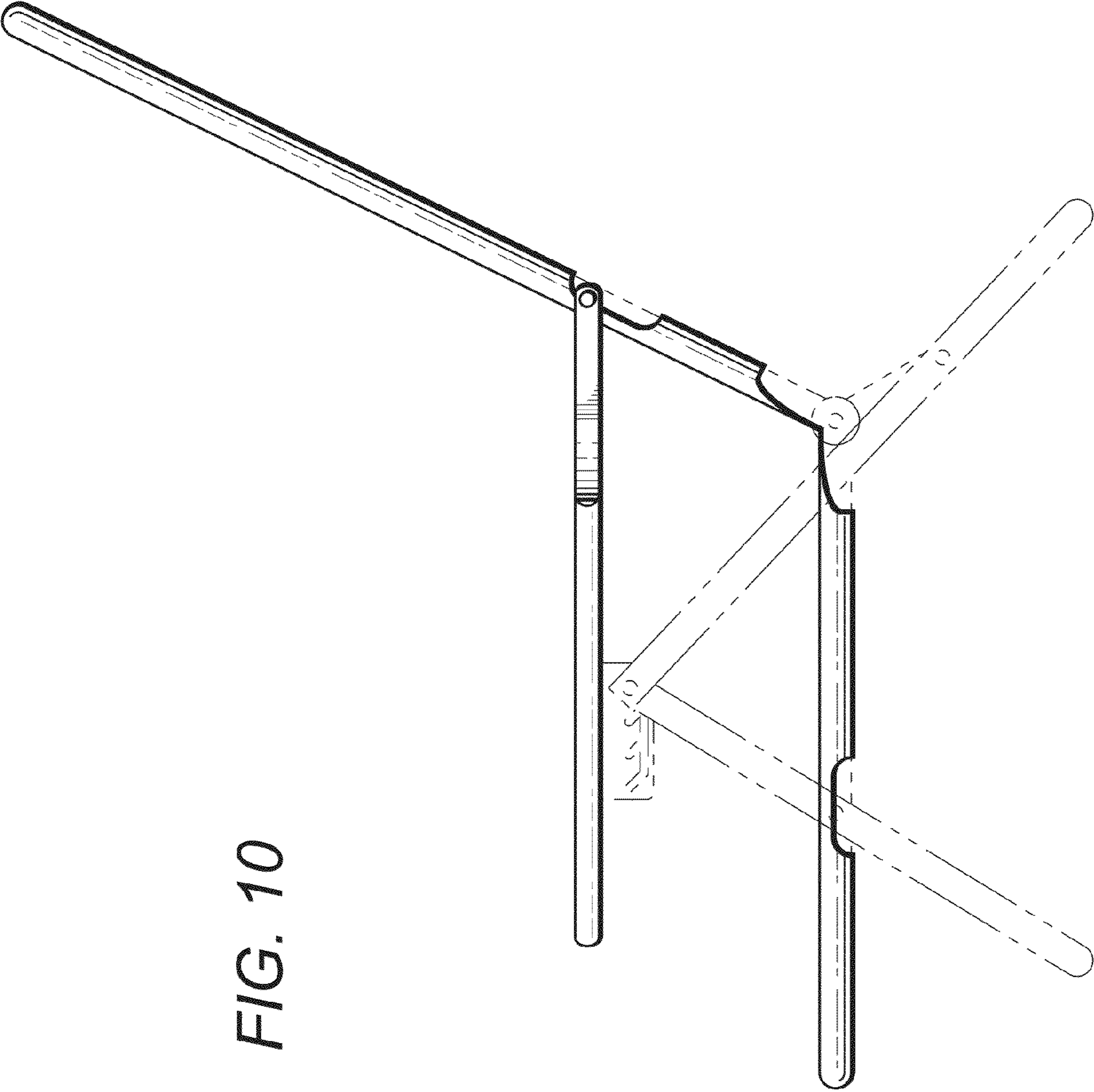


FIG. 10

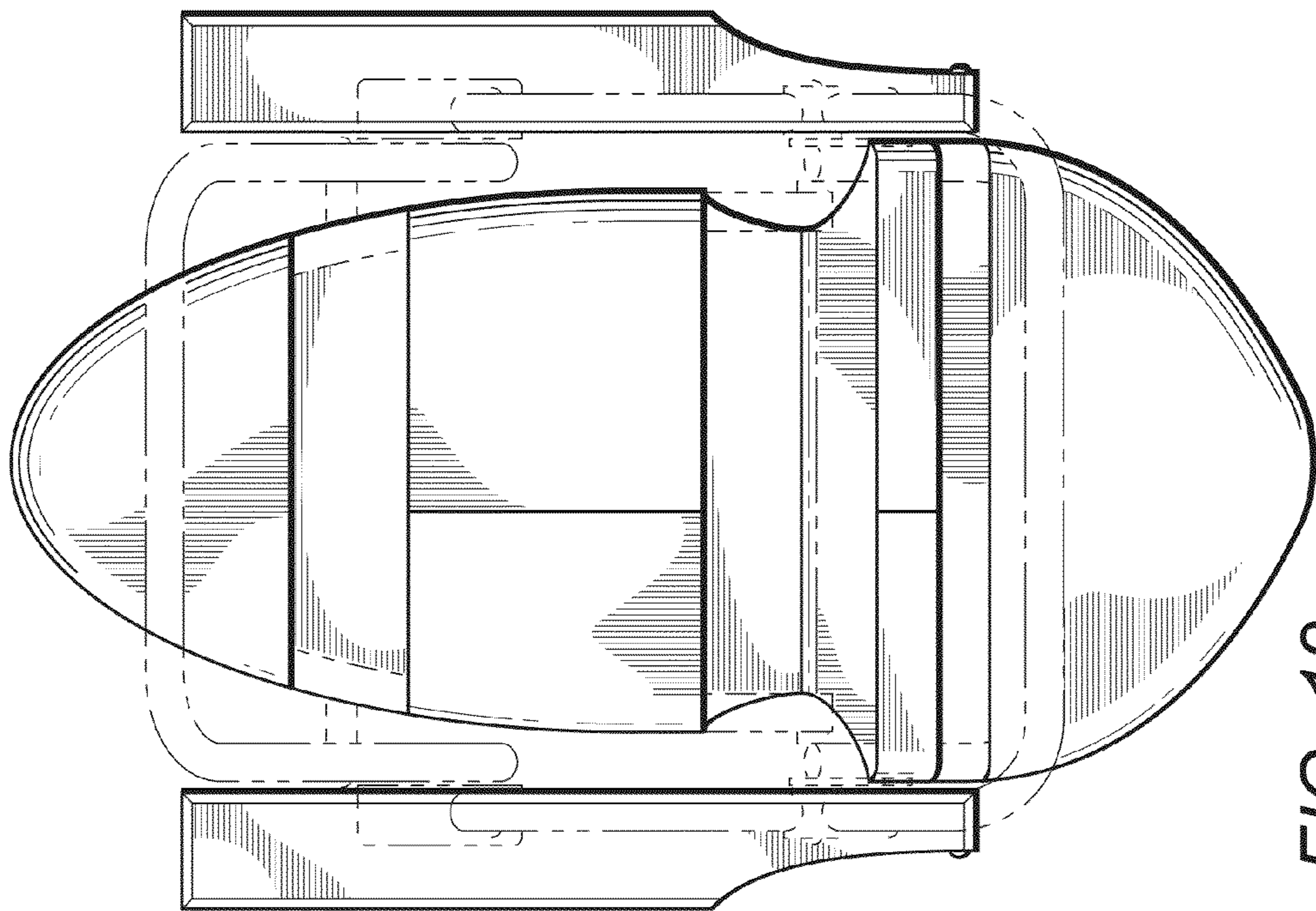


FIG. 12

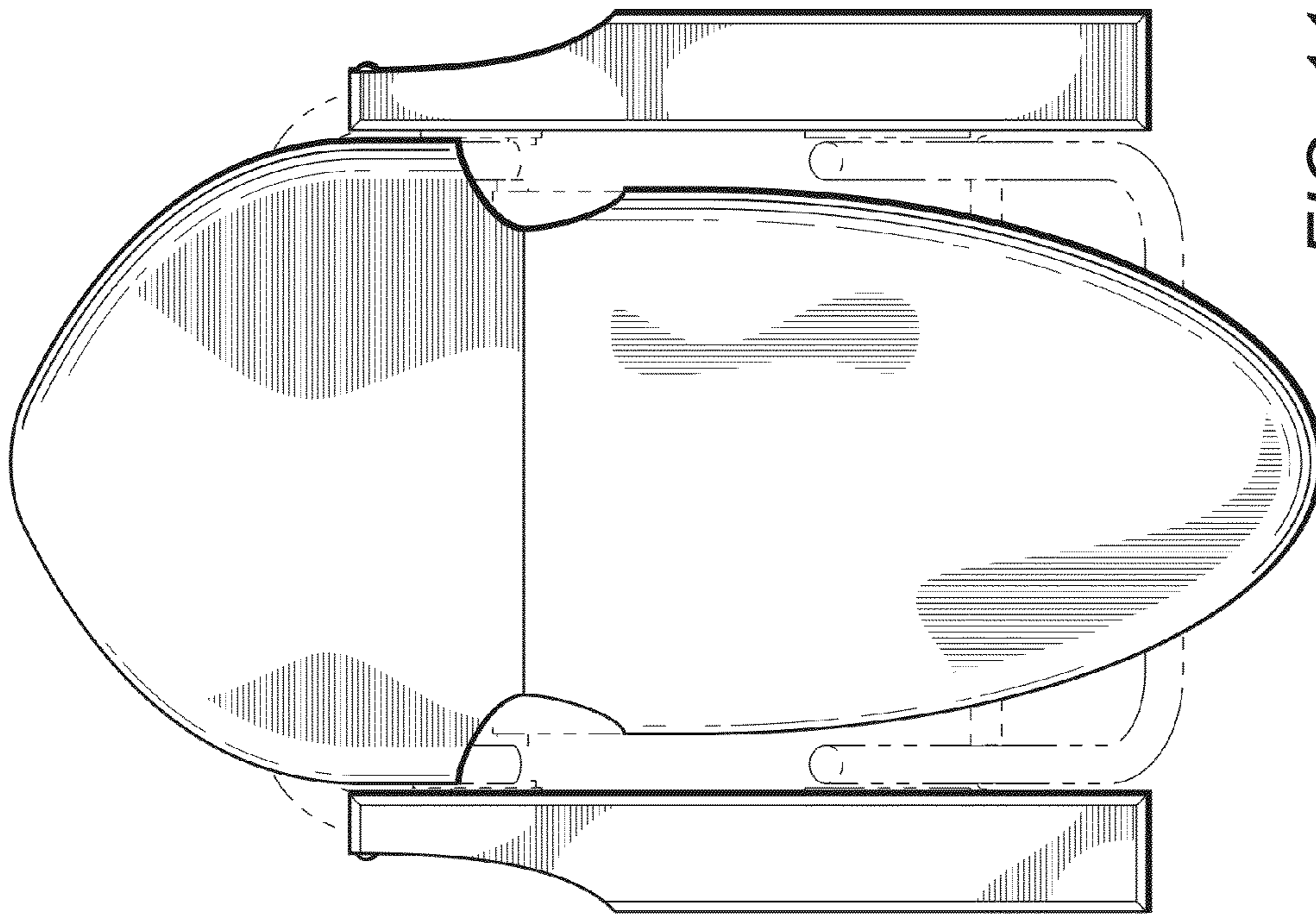


FIG. 11