



US00D743707S

(12) **United States Design Patent**
Simitian

(10) **Patent No.:** **US D743,707 S**

(45) **Date of Patent:** **** Nov. 24, 2015**

(54) **BENCH**

(71) Applicant: **Sarkis Simitian**, Los Angeles, CA (US)

(72) Inventor: **Sarkis Simitian**, Los Angeles, CA (US)

(**) Term: **14 Years**

(21) Appl. No.: **29/504,085**

(22) Filed: **Oct. 1, 2014**

(51) **LOC (10) Cl.** **06-01**

(52) **U.S. Cl.**
USPC **D6/349; D6/370**

(58) **Field of Classification Search**
USPC D6/333, 335, 340, 344, 347, 349–355,
D6/358, 360, 363–365, 381, 406.6, 596,
D6/662.1, 677, 685, 687, 688.15, 688.27,
D6/690, 691, 691.8, 692.1–692.3, 695.1,
D6/708.16, 708.2, 709, 709.2, 709.22, 711,
D6/716–716.7, 717; D25/63–65
CPC A47C 1/14; A47C 3/16–3/20; A47C 4/00;
A47C 4/28; A47C 5/02; A47C 5/04; A47C
5/043; A47C 7/00–7/006; A47C 7/02; A47C
9/00; A47C 9/02; A47C 9/002; A47C 9/007;
A47C 9/025; A47C 9/10; A47C 11/00;
A47C 12/00; A47C 13/00; A47C 16/02;
A47B 7/00–7/02; A47B 45/00; A47B
47/04–47/045; A47B 3/12

See application file for complete search history.

(56) **References Cited**

U.S. PATENT DOCUMENTS

D213,496 S * 3/1969 Wormser D6/349
D229,591 S * 12/1973 Trail et al. D6/370
D303,877 S * 10/1989 Norton D6/349

D365,937 S * 1/1996 Skalka D6/370
D423,239 S * 4/2000 Hornyak D6/355
D465,936 S * 11/2002 Arnold D6/349
D474,618 S * 5/2003 Arnold et al. D6/370
D521,763 S * 5/2006 Wilmotte D6/381
D581,188 S * 11/2008 Skalka D6/691.1
D583,577 S * 12/2008 Wicha D6/349
D614,889 S * 5/2010 Van Duysen D6/691.5
D638,233 S * 5/2011 Perunovic D6/381
D714,561 S * 10/2014 Lange D6/349
D715,568 S * 10/2014 Davis et al. D6/370

OTHER PUBLICATIONS

Garni—inoxworx. [online] Retrieved Aug. 7, 2015 from URL:
<<http://www.inox-worx.com/garni>>.*

* cited by examiner

Primary Examiner — Susan Bennett Hattan

Assistant Examiner — Vy Koenig

(74) *Attorney, Agent, or Firm* — Payam Moradian

(57) **CLAIM**

The ornamental design for a bench, as shown and described.

DESCRIPTION

FIG. 1 is a top view of a bench.
FIG. 2 is a bottom view of the bench.
FIG. 3 is a front view of the bench.
FIG. 4 is a back view of the bench.
FIG. 5 is a right end view of the bench.
FIG. 6 is a left end view of the bench.
FIG. 7 is a top perspective view of the bench.
FIG. 8 is a bottom perspective view of the bench; and,
FIG. 9 is a perspective view of the bench with a broken line
showing of a cushion that forms no part of the claimed design.

1 Claim, 9 Drawing Sheets

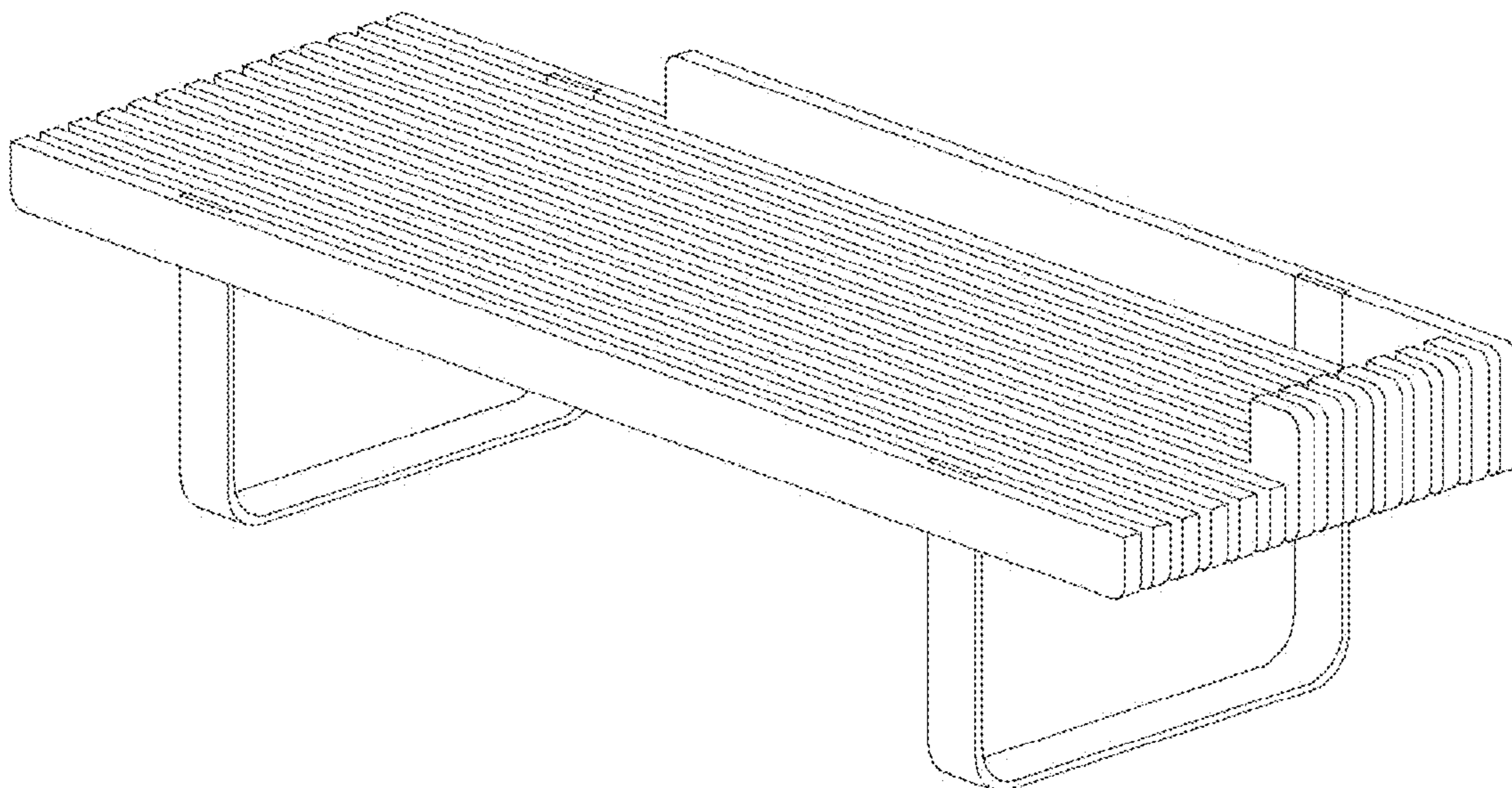


Figure 1

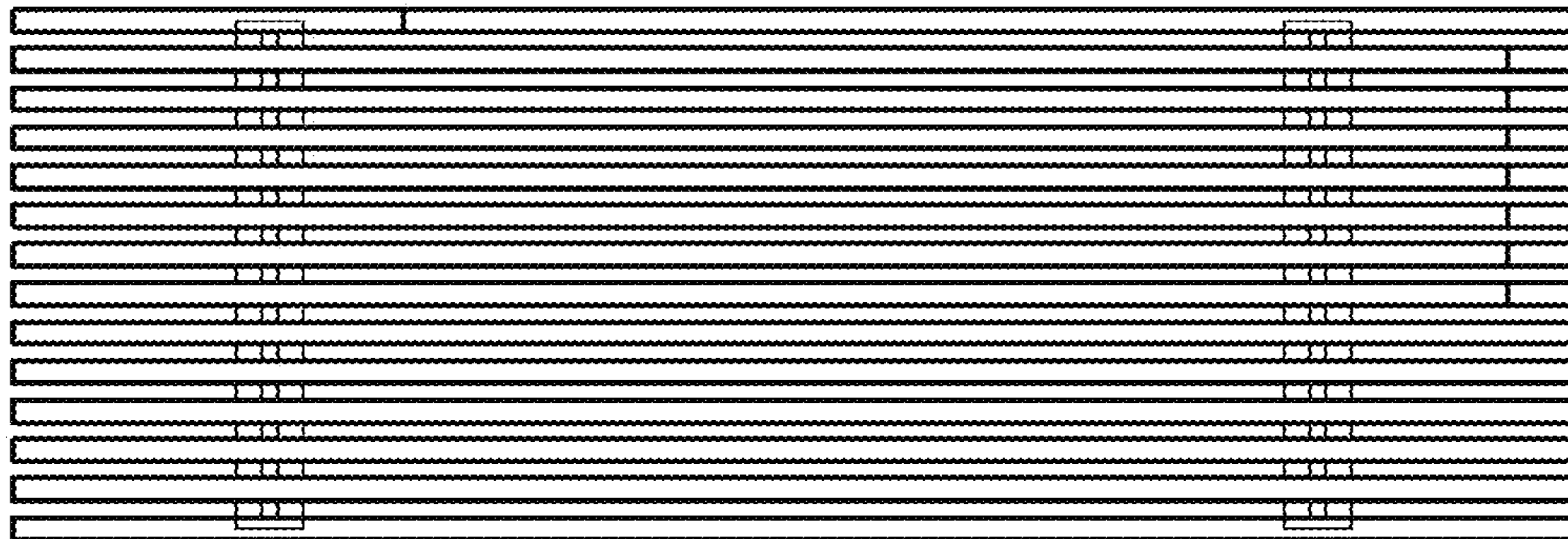


Figure 2

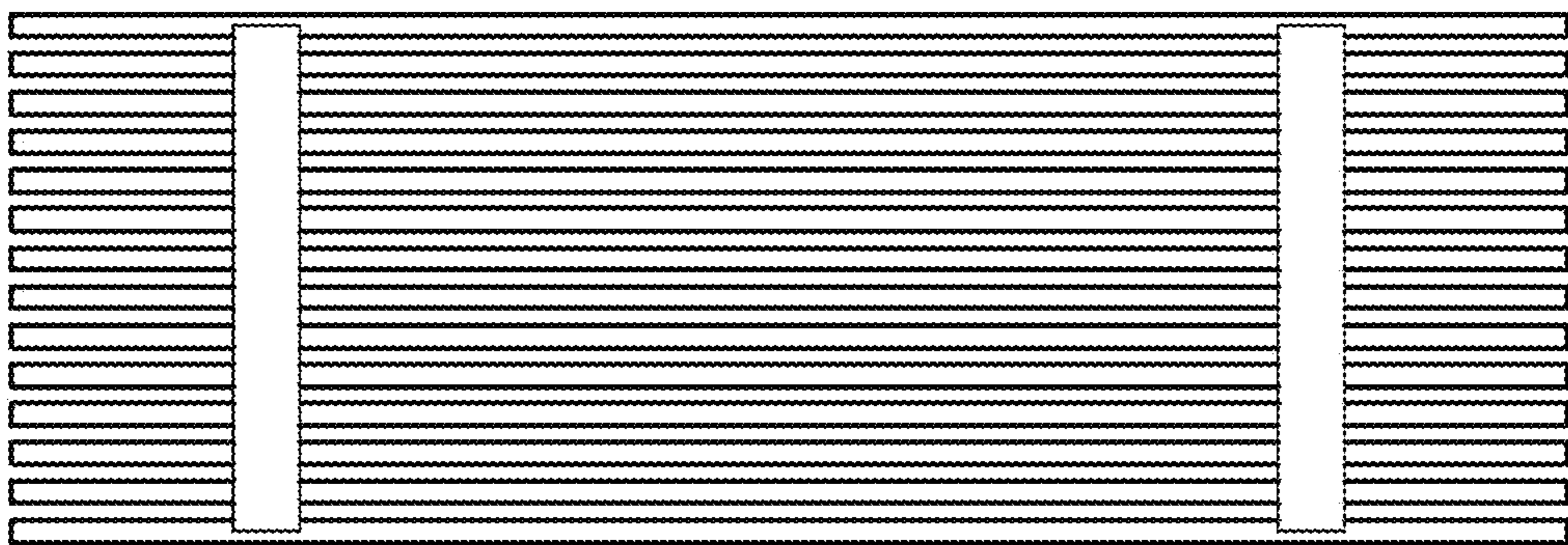


Figure 3

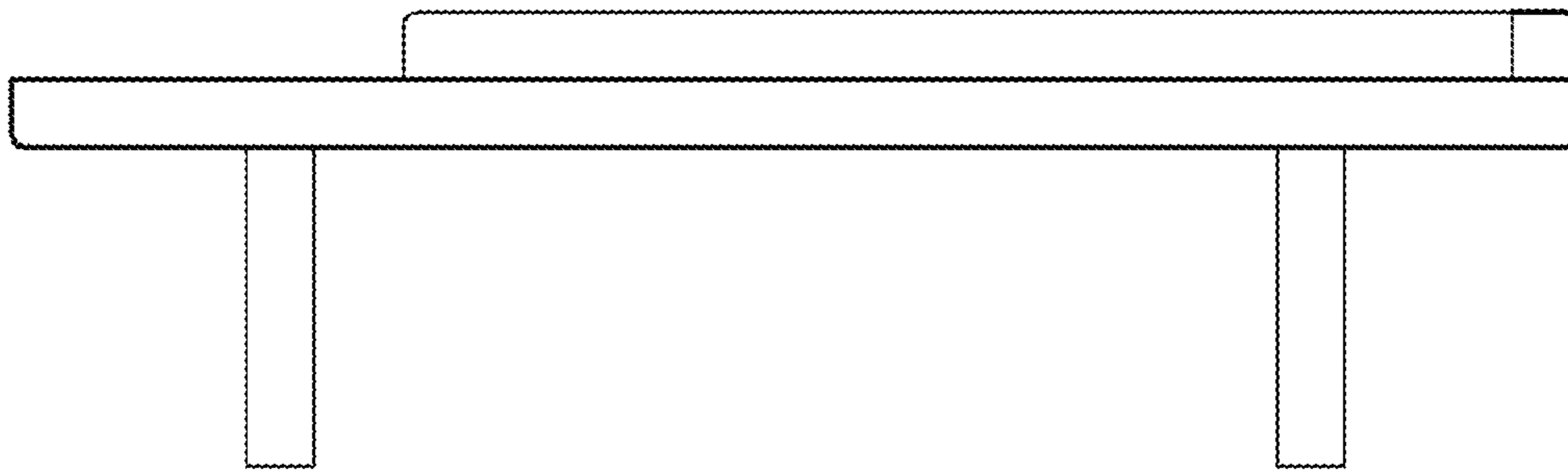


Figure 4

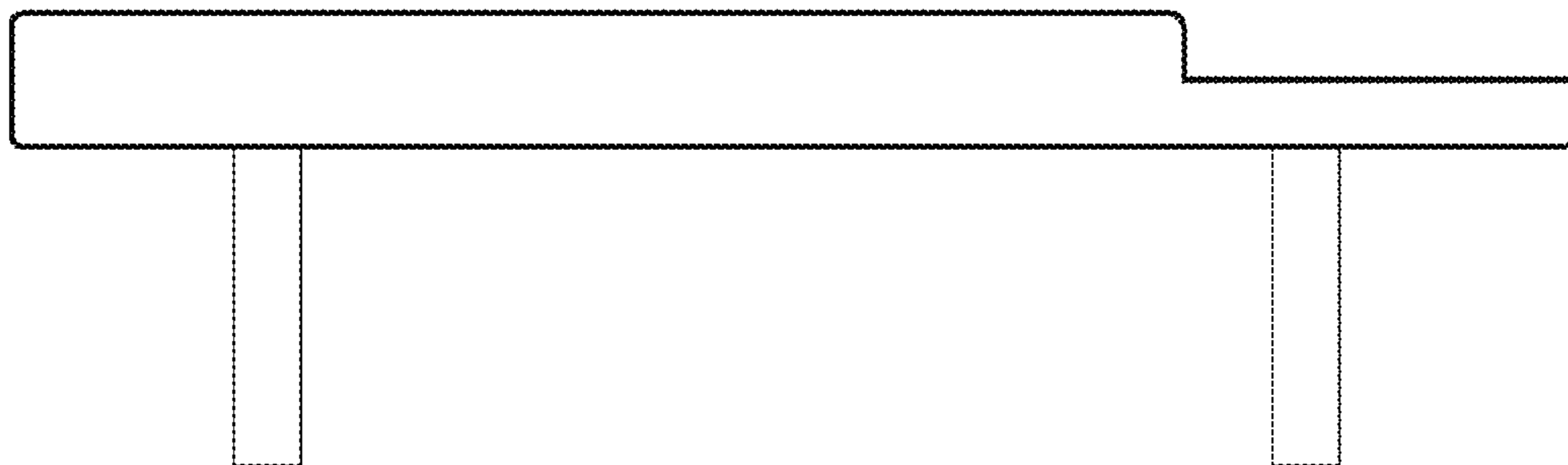


Figure 5

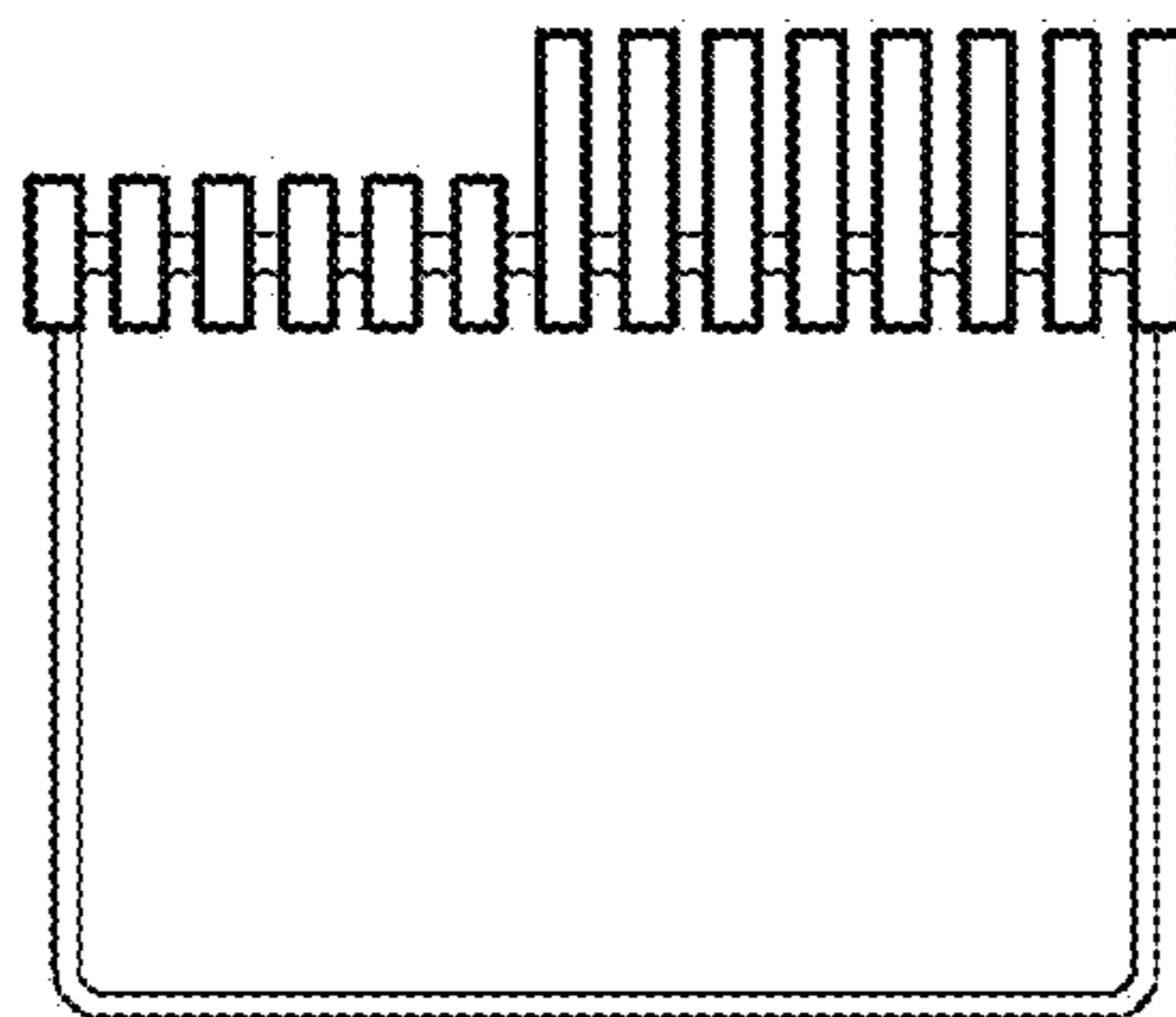


Figure 6

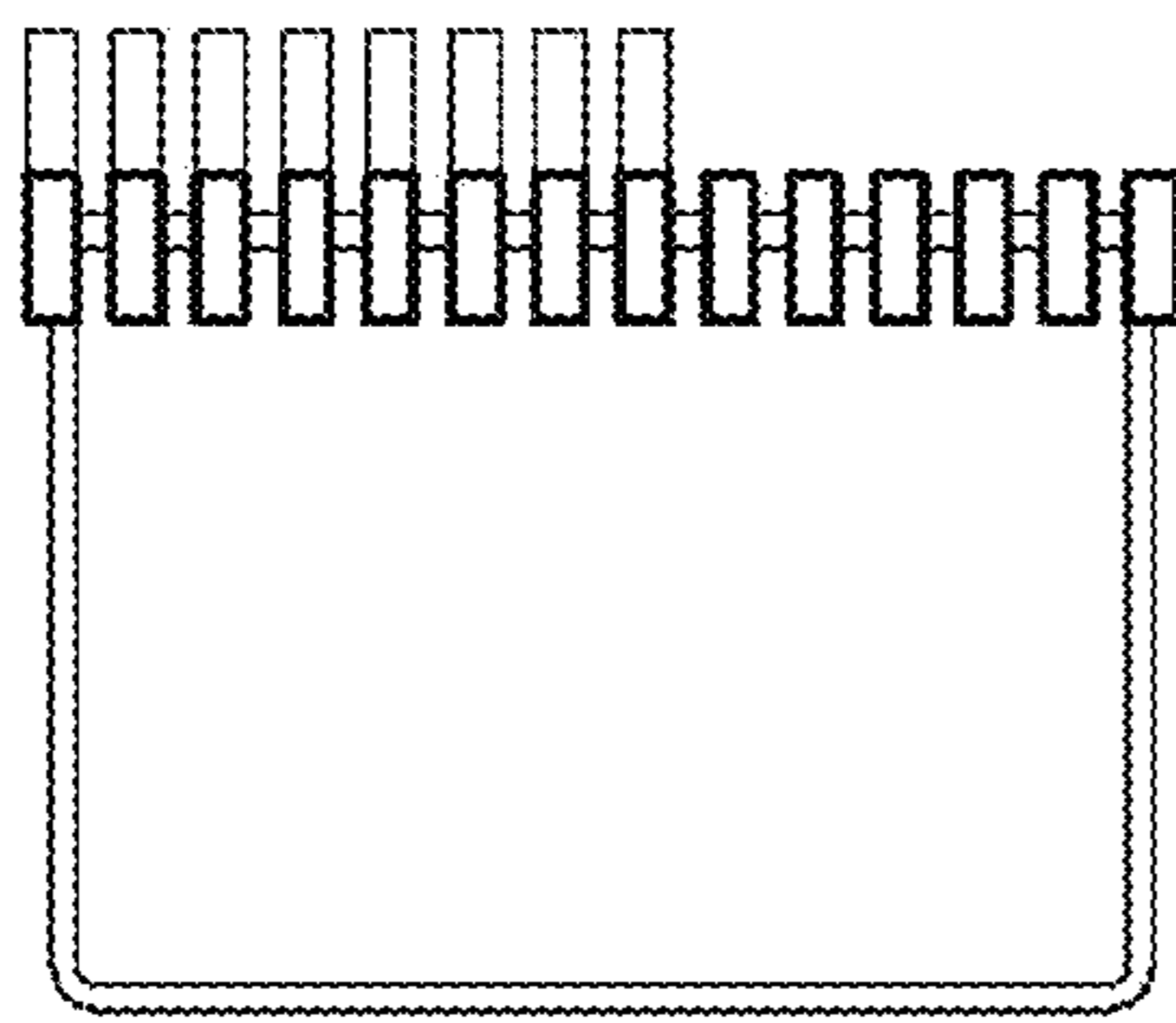


Figure 7

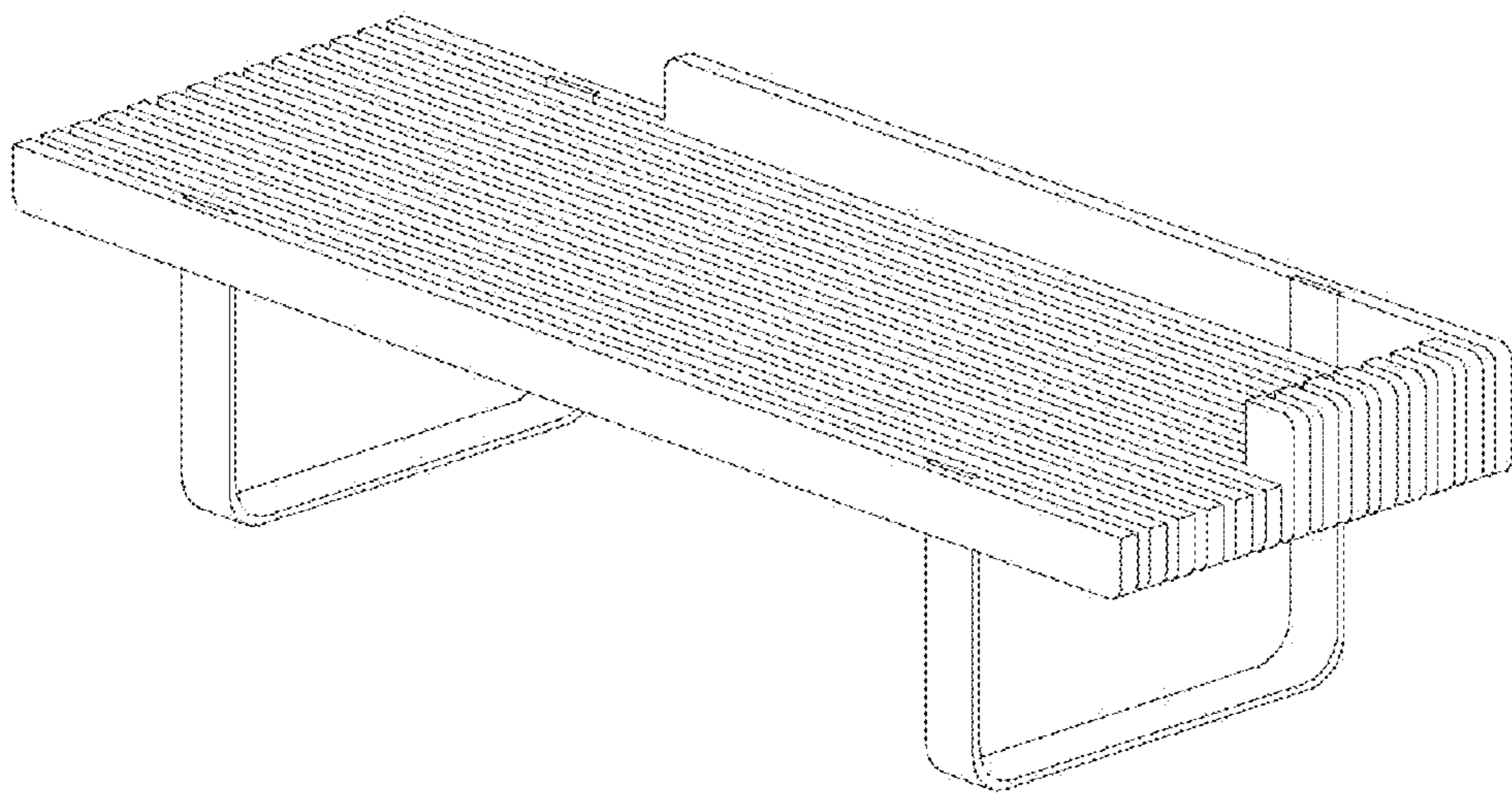


Figure 8

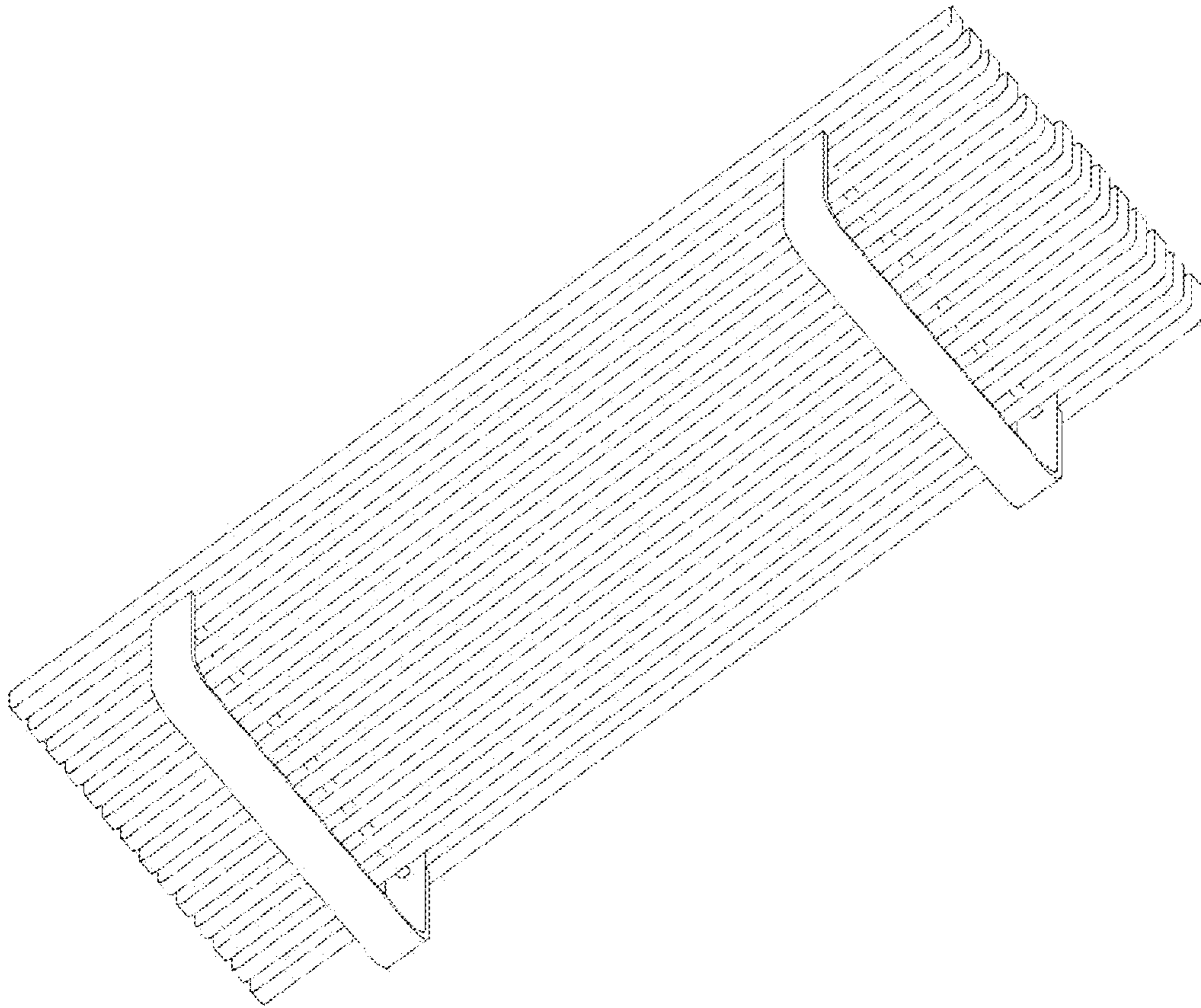


Figure 9

