



US00D743706S

(12) **United States Design Patent**
Culhane

(10) **Patent No.:** **US D743,706 S**
(45) **Date of Patent:** **** Nov. 24, 2015**

(54) **CHAIR**

(71) Applicant: **Jeffrey J. Culhane**, San Marcos, CA
(US)

(72) Inventor: **Jeffrey J. Culhane**, San Marcos, CA
(US)

(**) Term: **14 Years**

(21) Appl. No.: **29/473,993**

(22) Filed: **Nov. 27, 2013**

(51) **LOC (10) Cl.** **06-01**

(52) **U.S. Cl.**
USPC **D6/348**

(58) **Field of Classification Search**
USPC D6/334–336, 344, 348, 370, 371, 373,
D6/374, 379, 380, 716, 716.1, 716.2,
D6/716.3, 716.4; D21/412
CPC A47C 3/02; A47C 3/029; A47C 4/02;
A47C 5/04; A47C 7/16
See application file for complete search history.

(56) **References Cited**

U.S. PATENT DOCUMENTS

| | | | | |
|--------------|---------|----------|-------|--------|
| D40,588 S * | 3/1910 | Voncanon | | D6/348 |
| D313,320 S * | 1/1991 | Fisher | | D6/348 |
| D606,327 S * | 12/2009 | Bragg | | D6/348 |
| D615,313 S | 5/2010 | Rooth | | |

OTHER PUBLICATIONS

“Wine Barrel Workshop”, www.winebarrelworkshop.com; Downloaded Feb. 20, 2014; (4 pages).

“Trabuco Canyon Barrel Works”, www.etsy.com/shop/TCBarrelWorks; Downloaded Feb. 20, 2014; (2 pages).
“Chili Pepper Woodworks”, www.etsy.com/shop/Chilipepperwoodworks; Downloaded Feb. 20, 2014; (2 pages).
“Wine Barrel Products”, www.winebarrelproducts.biz; Downloaded Feb. 20, 2014; (2 pages).
“Wine Barrel Rockers and More”, www.winebarrelrockers.com; Downloaded Feb. 20, 2014; (1 page).
“Cork Chair and Side Table”, www.recyclart.com; Downloaded Feb. 20, 2014; (3 pages).
“Korkmatte/Bett”, catalog.quittenbaum.de/object_detail_Korkmatte_Bett_Ingo_Design_M_Ingo_Maurer_Muenchen_62549_list_objects_M_103A_0_eng; Downloaded Jan. 11, 2014; (2 pages).
“Wine Barrel Chair”, www.hungarianworkshop.com/wine-barrel-furniture; Downloaded Feb. 20, 2014; (4 pages).
“Chair with Cork Seat”, www.pinterest.com/pin/246149935856345506/>; Downloaded Feb. 20, 2014; (3 pages).

* cited by examiner

Primary Examiner — Mimoso De
(74) *Attorney, Agent, or Firm* — Nixon Peabody LLP

(57) **CLAIM**

The ornamental design for a chair, as shown and described.

DESCRIPTION

FIG. 1 is a perspective view of a chair showing the subject design;

FIG. 2 is a front view thereof;

FIG. 3 is a back view thereof;

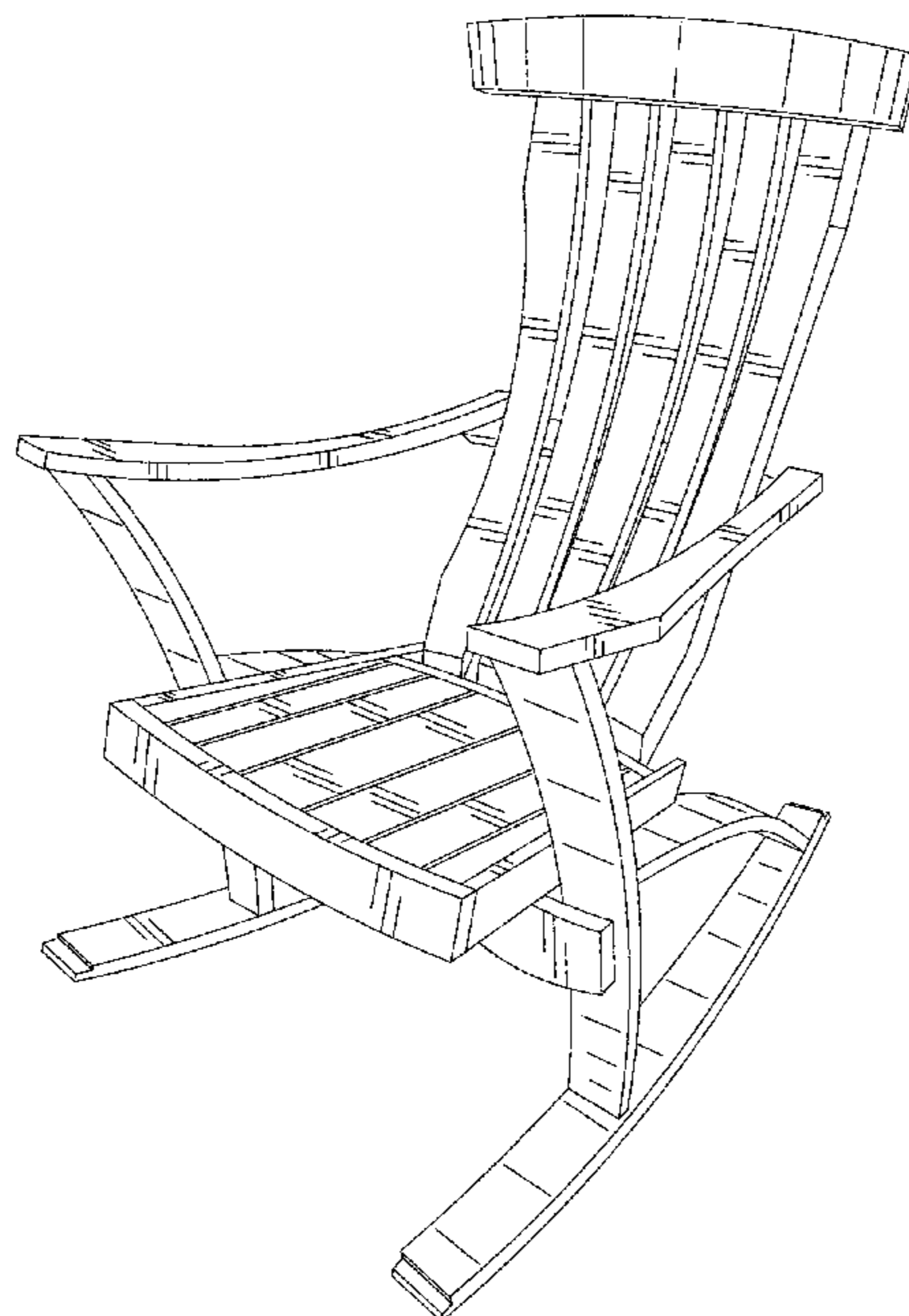
FIG. 4 is a first side view thereof;

FIG. 5 is a second side view thereof;

FIG. 6 is a top view thereof; and,

FIG. 7 is a bottom view thereof.

1 Claim, 7 Drawing Sheets



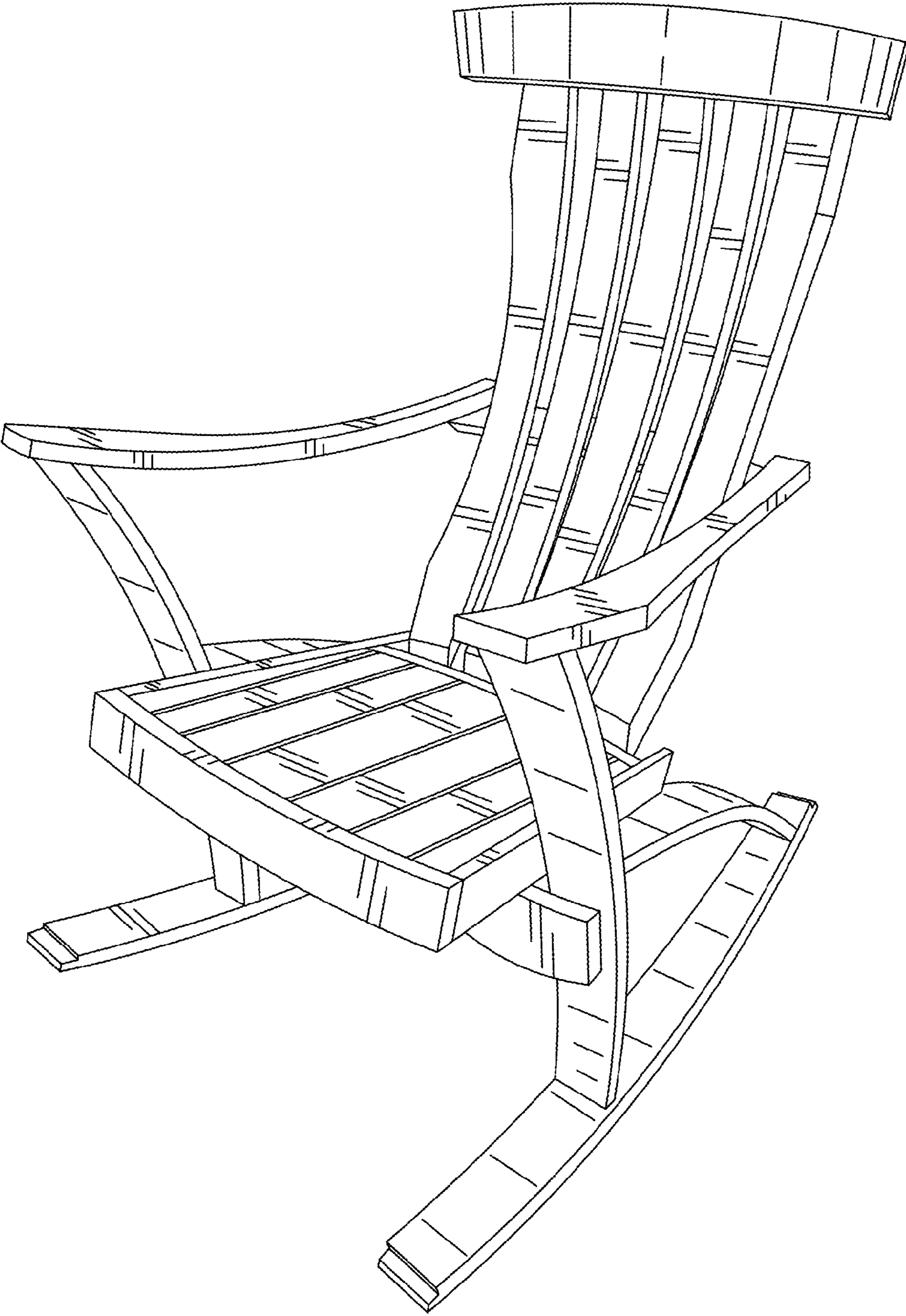


FIG. 1

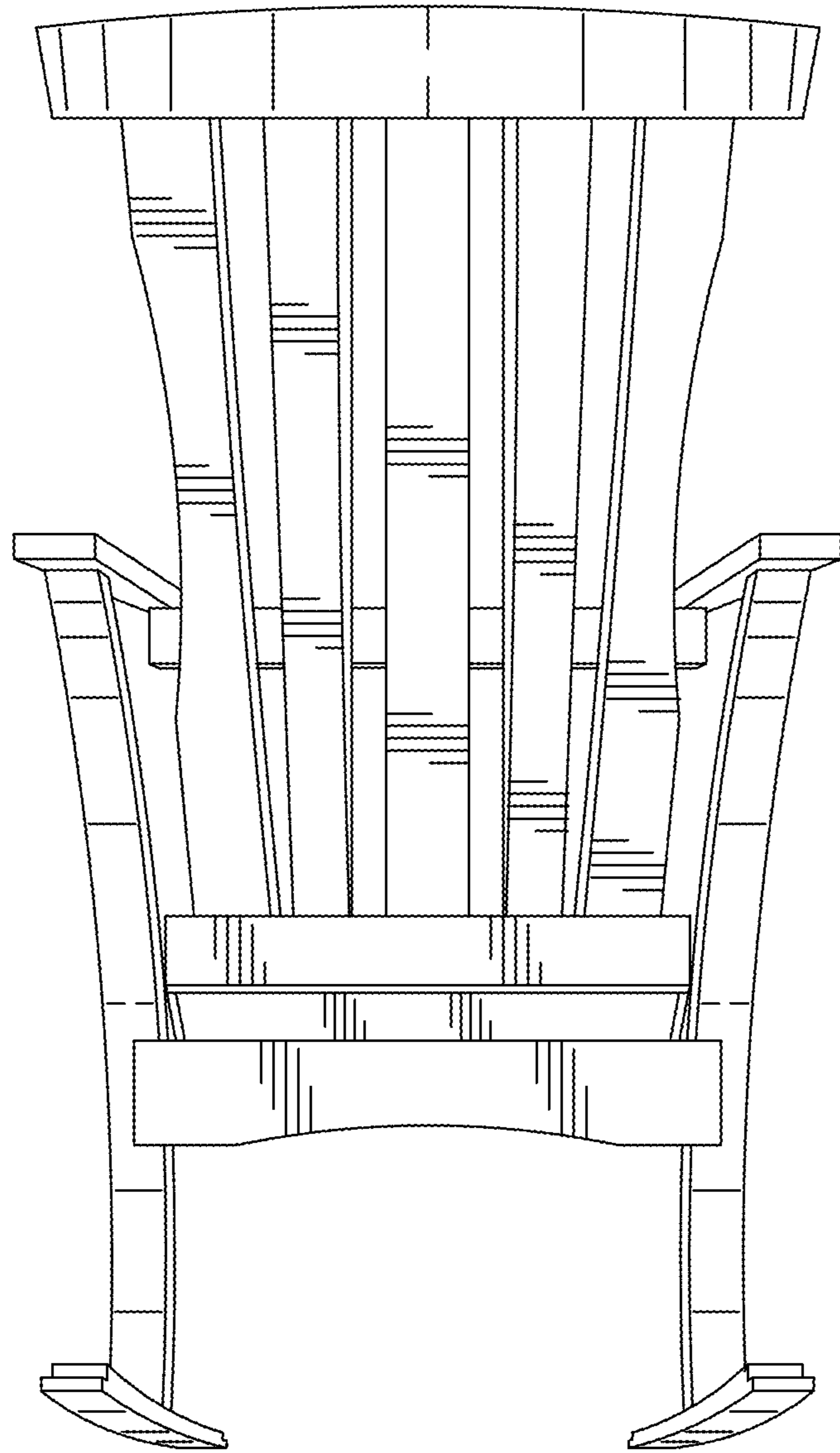


FIG. 2

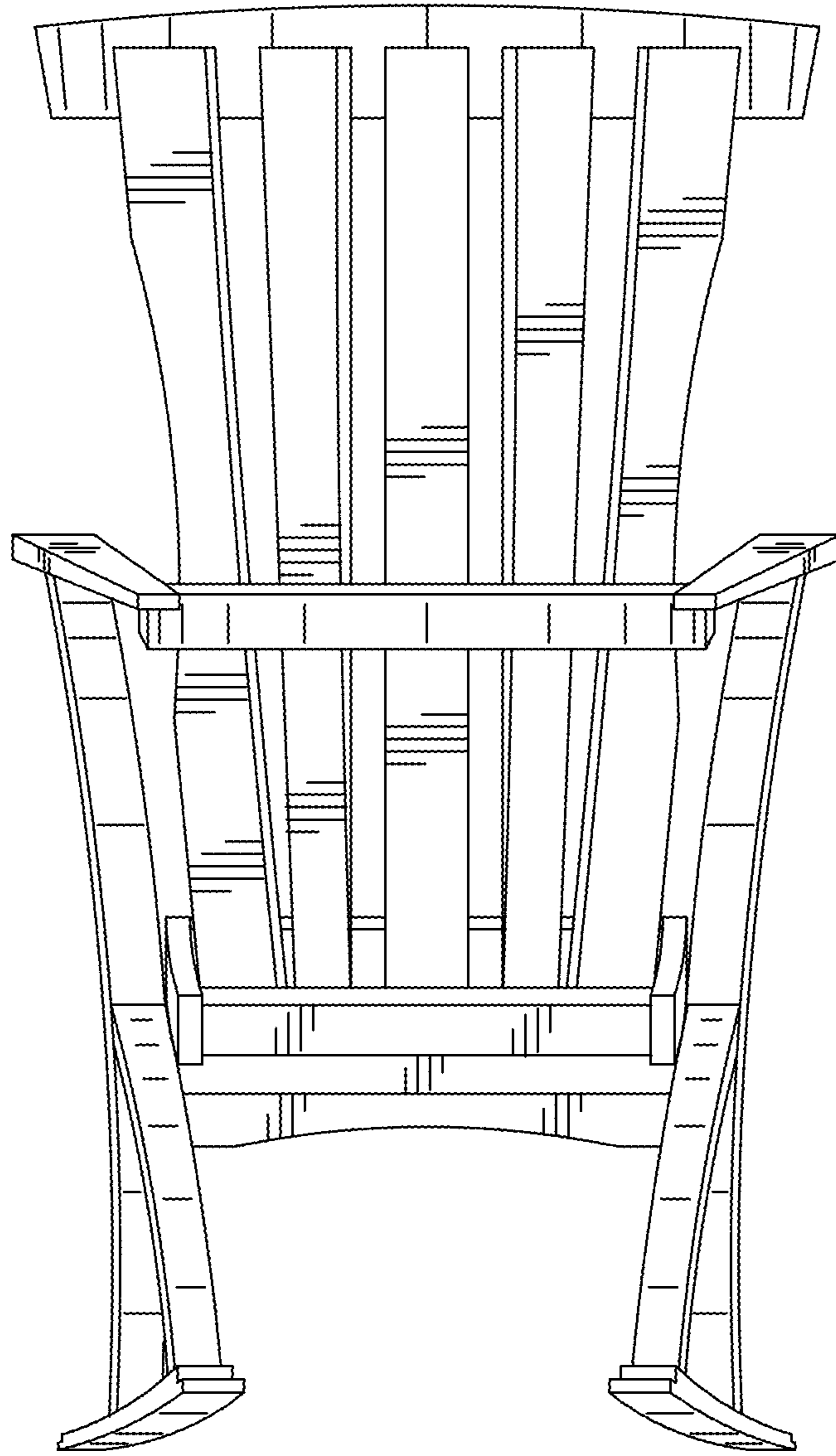


FIG. 3

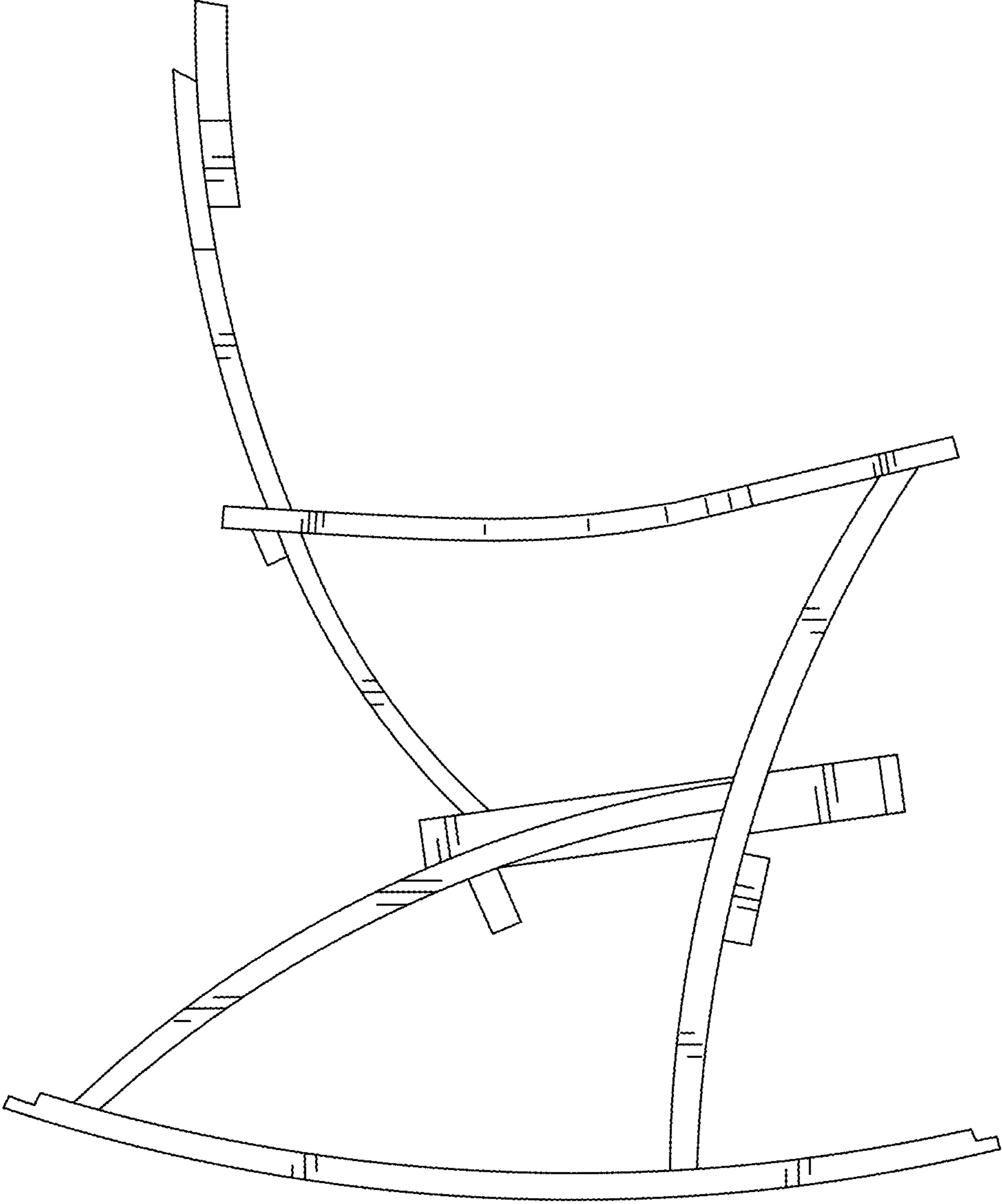


FIG. 4

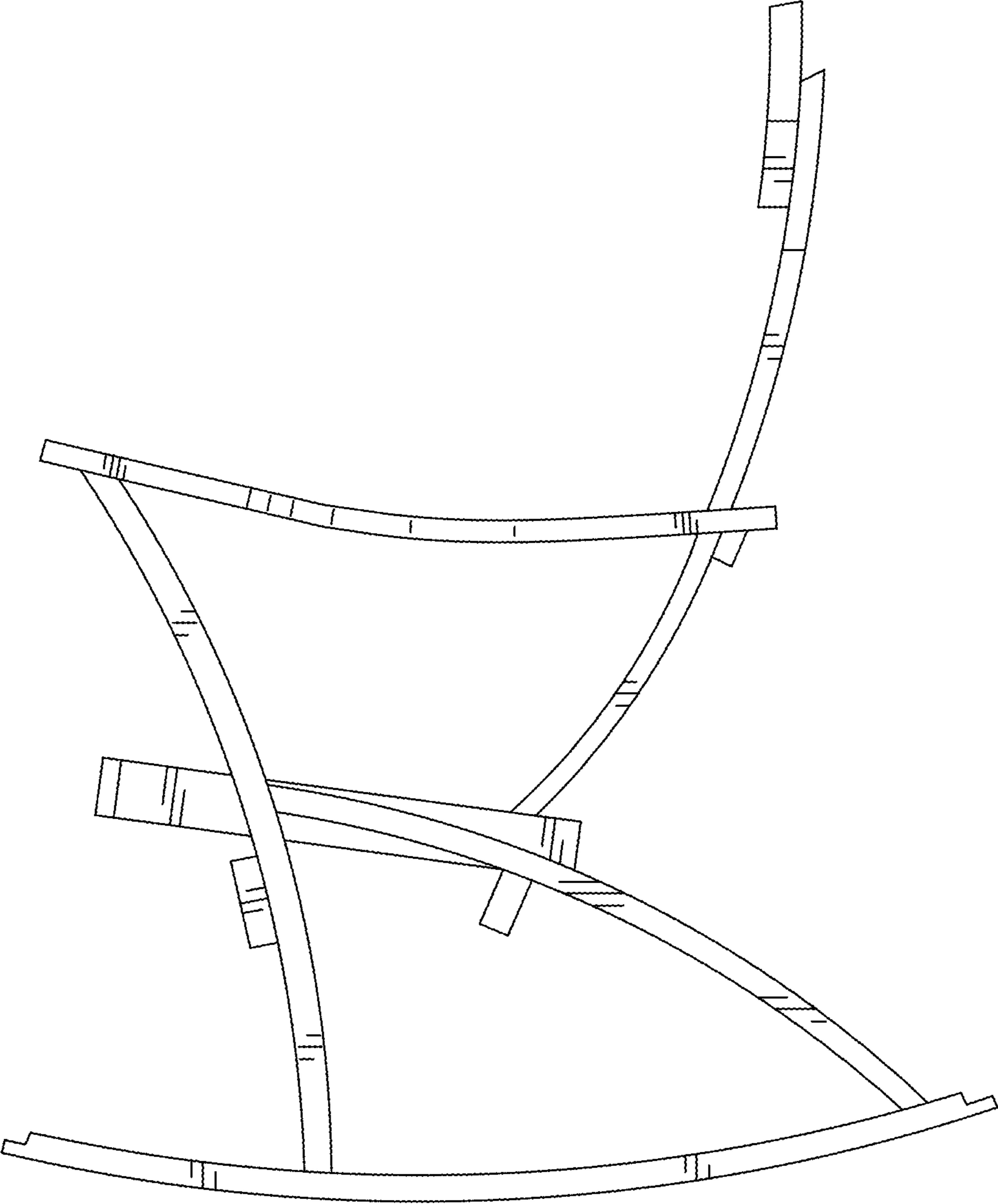


FIG. 5

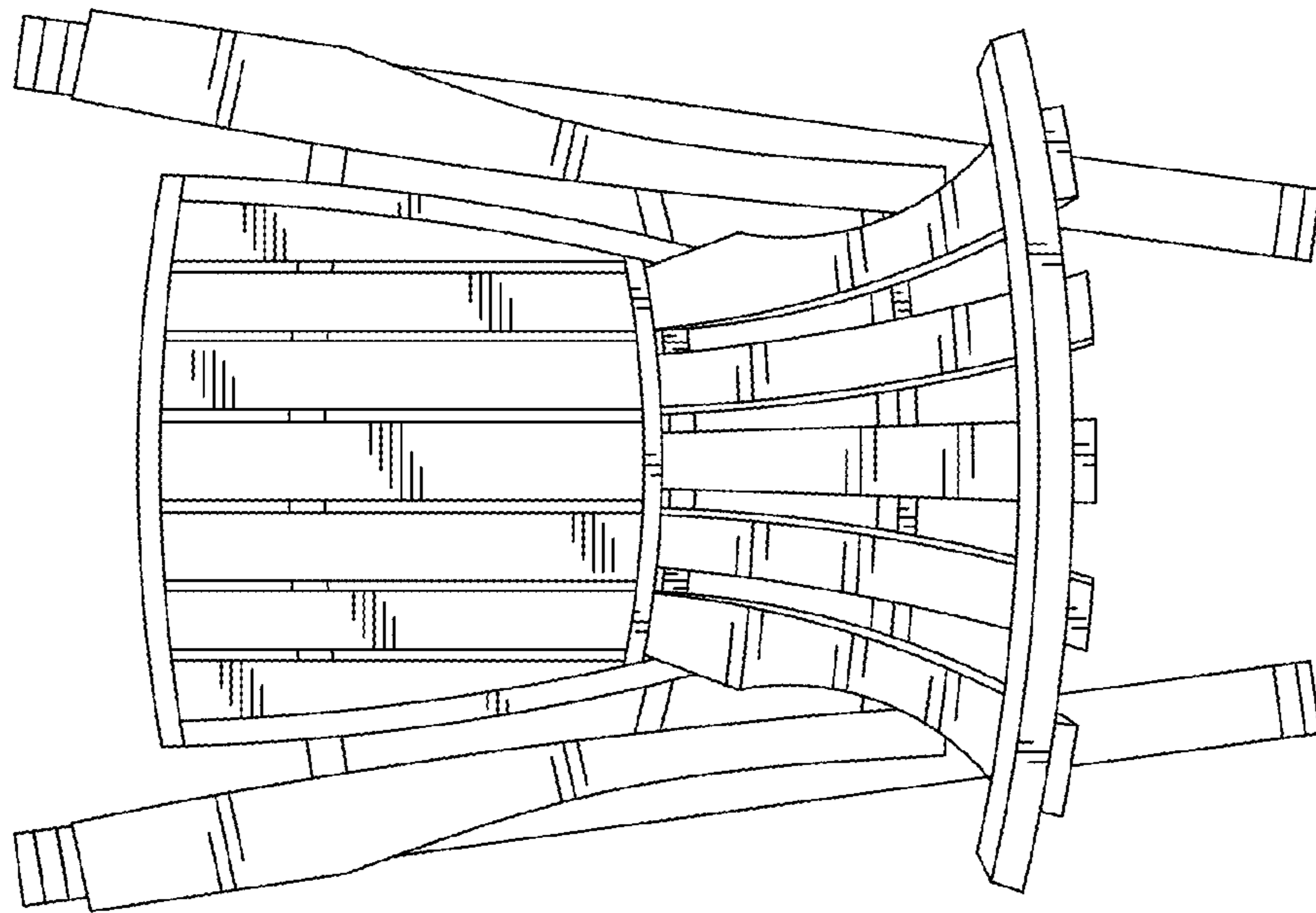


FIG. 6

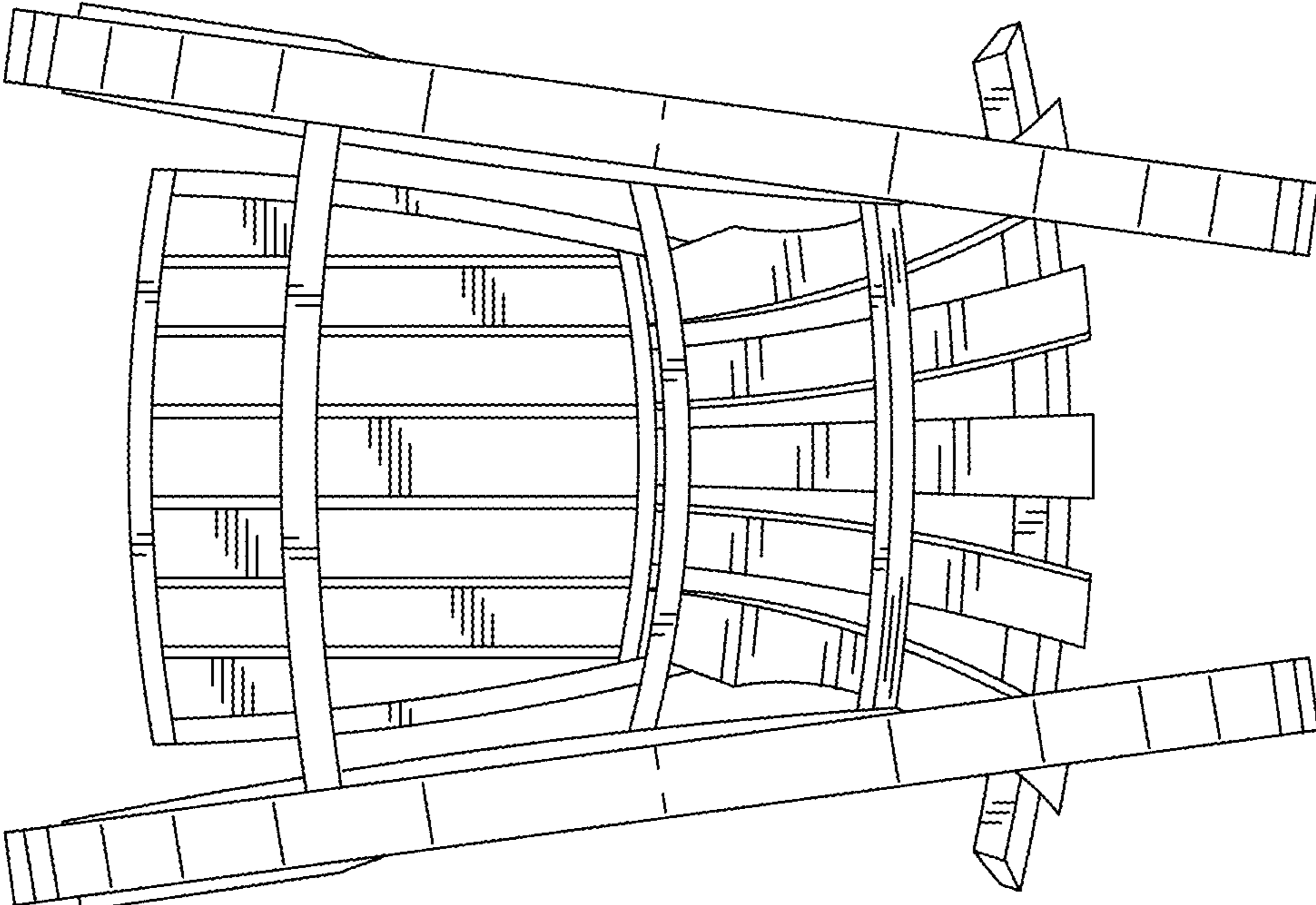


FIG. 7