



US00D743703S

(12) **United States Design Patent**  
**Harrington et al.**

(10) **Patent No.:** **US D743,703 S**

(45) **Date of Patent:** **\*\* Nov. 24, 2015**

(54) **BRUSH HANDLE**

(71) Applicant: **Unger Marketing International, LLC**,  
Bridgeport, CT (US)

(72) Inventors: **William Harrington**, Charlestown, RI  
(US); **James M. Buckley**, New Hartford,  
CT (US)

(73) Assignee: **UNGER MARKETING**  
**INTERNATIONAL, LLC**, Bridgeport,  
CT (US)

(\*\*) Term: **14 Years**

(21) Appl. No.: **29/485,938**

(22) Filed: **Mar. 25, 2014**

(51) **LOC (10) Cl.** ..... **04-01**

(52) **U.S. Cl.**  
USPC ..... **D4/138**

(58) **Field of Classification Search**  
USPC ..... D4/129-138; D8/45, 90, 107, 317;  
D32/40, 52; 15/143.1, 146, 159.1, 160,  
15/244.1; 16/430, DIG. 12, DIG. 18,  
16/DIG. 19

CPC ..... A46B 5/02; A46B 5/021; A46B 5/023;  
A46B 5/025; A46B 5/026; A46B 5/028;  
A46B 2200/00; A46B 2200/30; A46B  
2200/3033; A46B 2200/3046; A46B  
2200/3053; A46B 2200/306; A46B  
2200/3086; A46B 2200/3093; B25G 1/00;  
B25G 1/10; B25G 1/102; Y10S 16/12; Y10S  
16/18; Y10S 16/19; Y10S 16/90; Y10T 16/44;  
Y10T 16/476

See application file for complete search history.

(56) **References Cited**

**U.S. PATENT DOCUMENTS**

4,197,611 A 4/1980 Bell et al.  
D258,861 S 4/1981 Bratton et al.

D269,565 S \* 7/1983 Goldstaub ..... D4/129  
4,721,021 A 1/1988 Kuznir  
4,739,536 A 4/1988 Bandera et al.  
D296,946 S 7/1988 Stirling  
4,974,286 A 12/1990 Stowell et al.  
D333,239 S \* 2/1993 Pogue ..... D7/649  
D354,881 S 1/1995 Huff  
D356,446 S \* 3/1995 Hoagland ..... D4/138  
D361,695 S 8/1995 Sutker  
5,446,941 A 9/1995 Kelsay  
D373,506 S 9/1996 Viemeister  
D380,345 S 7/1997 Lu  
D384,242 S 9/1997 Ancona et al.

(Continued)

**FOREIGN PATENT DOCUMENTS**

JP 1217028 S \* 9/2004

*Primary Examiner* — Melanie H Tung

*Assistant Examiner* — Lavone D Tabor

(74) *Attorney, Agent, or Firm* — Ohlandt, Greeley, Ruggiero  
& Perle, LLP

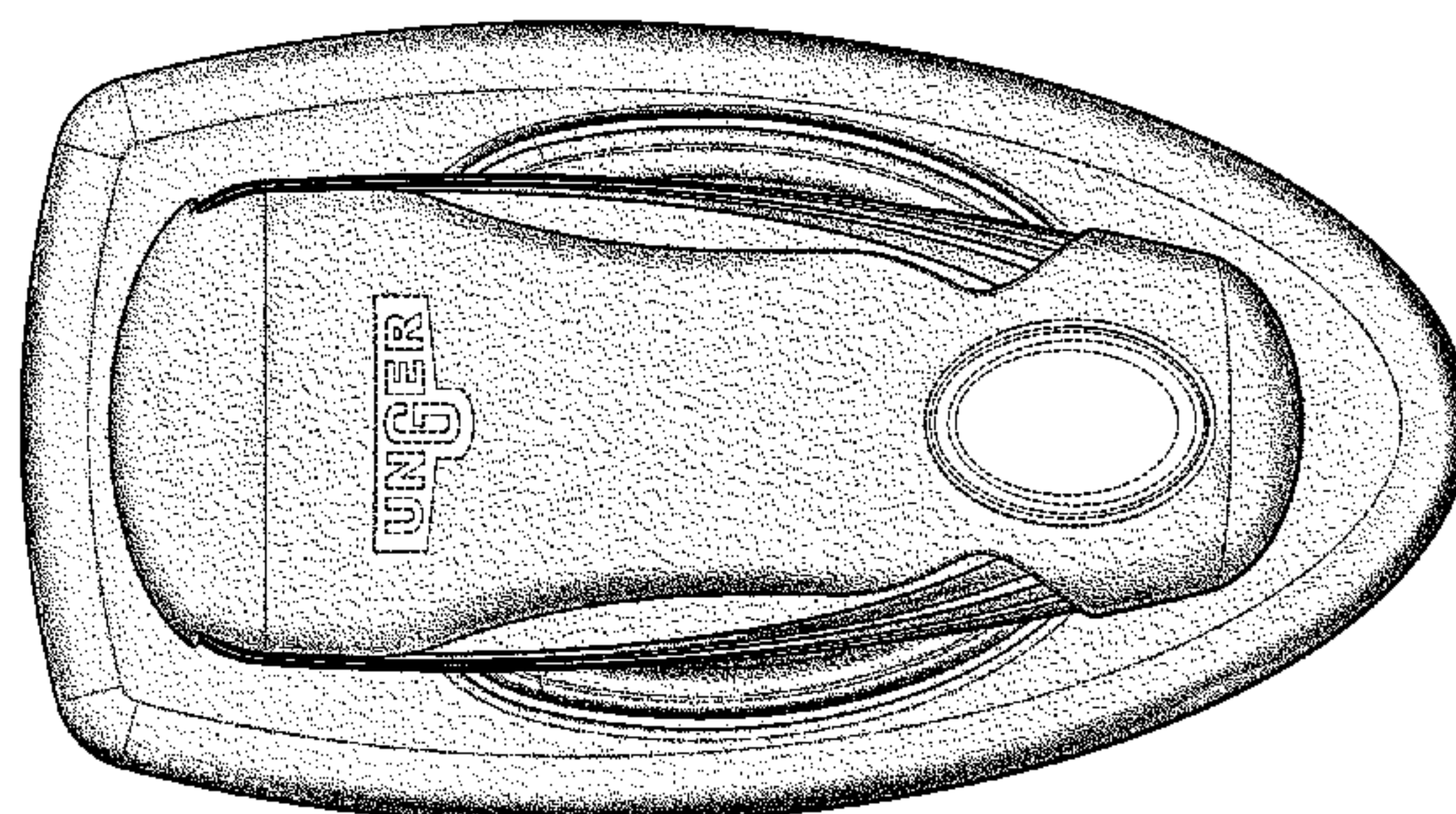
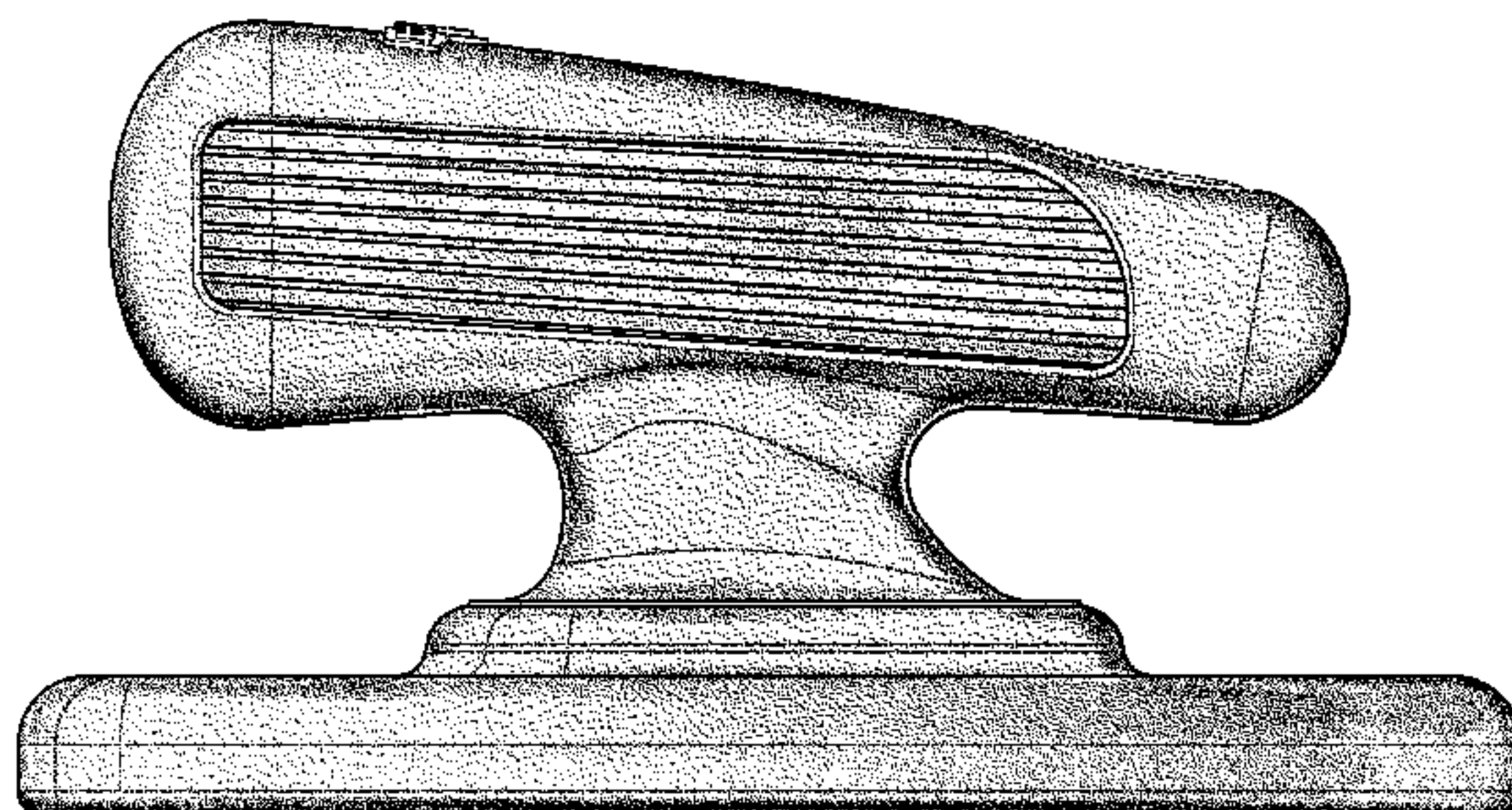
(57) **CLAIM**

The ornamental design for the brush handle, as shown and  
described.

**DESCRIPTION**

FIG. 1 is a top front perspective view of a brush handle  
according to the present disclosure;  
FIG. 2 is a side view of the brush handle of FIG. 1, the  
opposite side being identical thereto; and  
FIG. 3 is a top view of the brush handle of FIG. 1;  
FIG. 4 is a bottom view of the brush handle of FIG. 1;  
FIG. 5 is a rear view of the brush handle of FIG. 1; and,  
FIG. 6 is a front view of the brush handle of FIG. 1.  
The broken lines and the areas within the broken lines illus-  
trate portions of brush handle that form no part of the claimed  
design.

**1 Claim, 5 Drawing Sheets**



(56)

References Cited

U.S. PATENT DOCUMENTS

D389,698 S	1/1998	Cohen et al.			
D396,168 S	7/1998	Cohen et al.			
D399,388 S	10/1998	Cohen et al.			
5,857,241 A	1/1999	Camp, Jr. et al.			
D406,491 S	3/1999	Cohen et al.			
D411,410 S	6/1999	Pedrini			
5,964,009 A	10/1999	Hoepfl et al.			
D429,136 S *	8/2000	Ali et al. ....	D8/90		
D431,753 S	10/2000	Cohen et al.			
D437,095 S *	1/2001	Osiecki et al. ....	D32/40		
RE37,190 E	5/2001	Stowell et al.			
6,237,193 B1	5/2001	Skerker et al.			
6,256,828 B1	7/2001	Sauer			
D446,025 S	8/2001	Petner			
6,273,626 B1	8/2001	Yazawa			
D448,176 S	9/2001	Petner			
D449,451 S *	10/2001	Petner .....	D4/129		
6,352,662 B1	3/2002	Murphy et al.			
D461,058 S	8/2002	Hay			
6,633,309 B2	10/2003	Lau et al.			
D500,600 S	1/2005	Hay et al.			
D500,927 S	1/2005	Hay			
D502,002 S	2/2005	Conway et al.			
D502,324 S	3/2005	Soller et al.			
D508,631 S	8/2005	Cuillery			
D509,991 S	9/2005	Costello et al.			
D520,852 S	5/2006	Minkler et al.			
7,115,172 B1 *	10/2006	Teodorovich .....	134/6		
D534,725 S	1/2007	Vu			
D553,907 S	10/2007	Catalano et al.			
D554,817 S	11/2007	Talesfore et al.			
D556,408 S *	11/2007	Lang et al. ....	D32/52		
D557,084 S	12/2007	Yamanaka et al.			
7,310,845 B2 *	12/2007	Gilli .....	15/93.4		
D562,516 S	2/2008	Talesfore et al.			
D577,871 S *	9/2008	Caserta et al. ....	D32/14.1		
D584,061 S	1/2009	Meyer			
D586,877 S	2/2009	Li			
D586,962 S	2/2009	Li			
D591,956 S	5/2009	Treacy			
D594,274 S	6/2009	McKenzie			
D606,320 S	12/2009	Meyer			
D607,169 S	12/2009	Weis et al.			
D607,297 S *	1/2010	Ali et al. ....	D8/90		
7,674,418 B2	3/2010	Matsumoto et al.			
D616,649 S	6/2010	Lin			
D624,264 S	9/2010	Li			
D630,888 S	1/2011	Bodum			
D643,221 S *	8/2011	Gates et al. ....	D4/138		
D644,030 S *	8/2011	Gates et al. ....	D4/138		
D647,703 S	11/2011	Li			
D650,955 S	12/2011	Chapman et al.			
8,215,945 B2	7/2012	Matsumoto et al.			
D694,021 S	11/2013	Weaver et al.			

\* cited by examiner



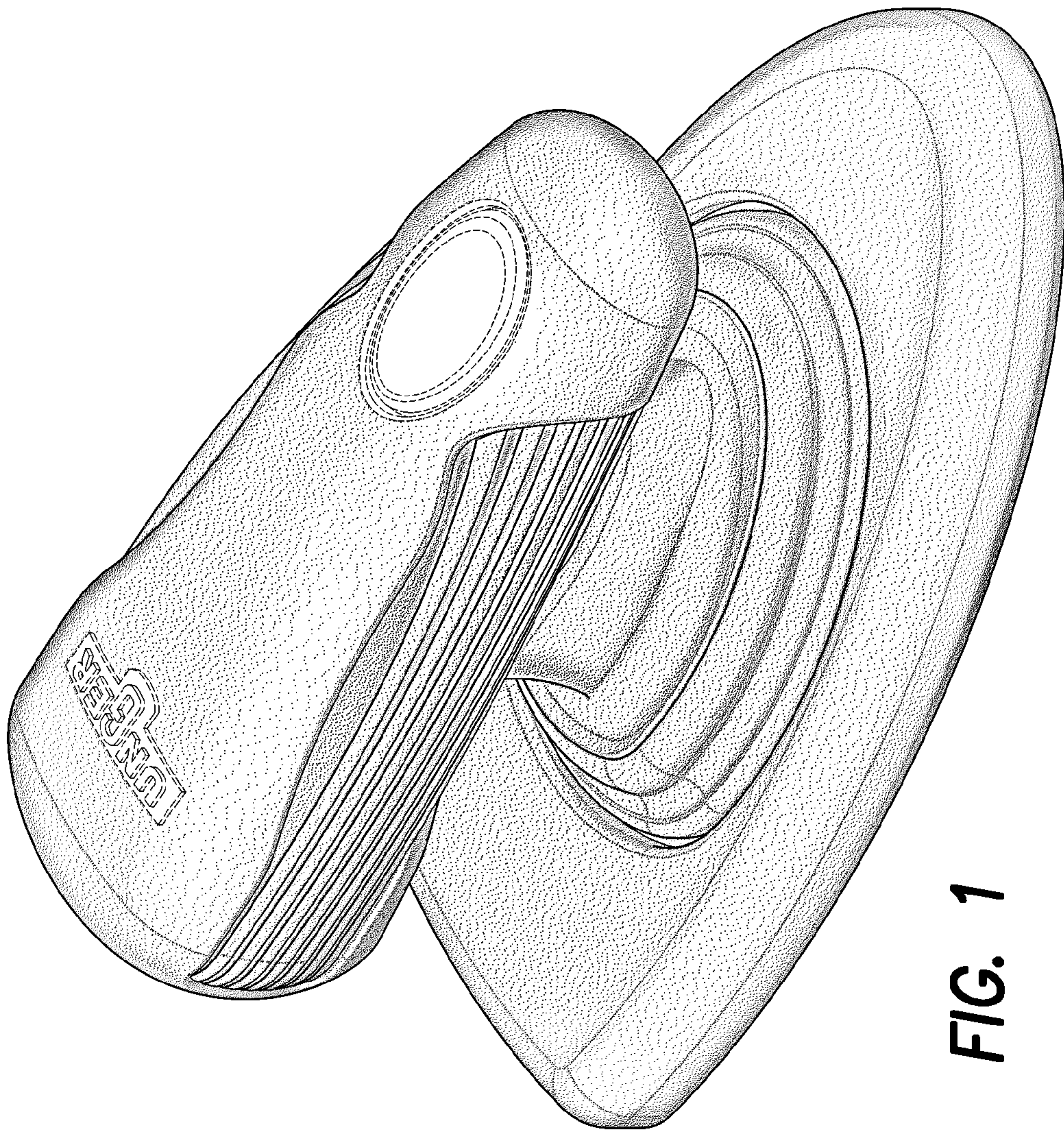


FIG. 1



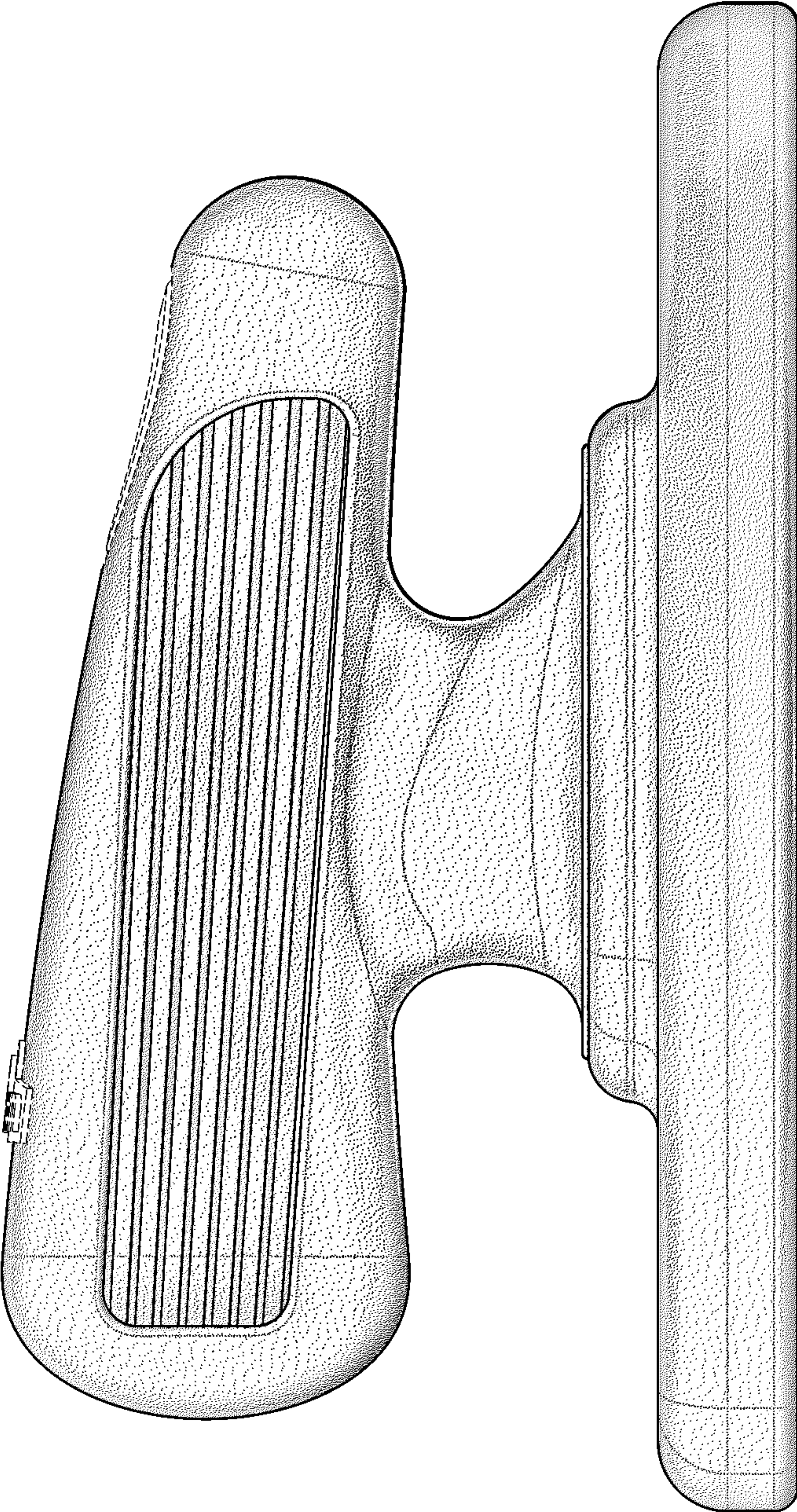


FIG. 2



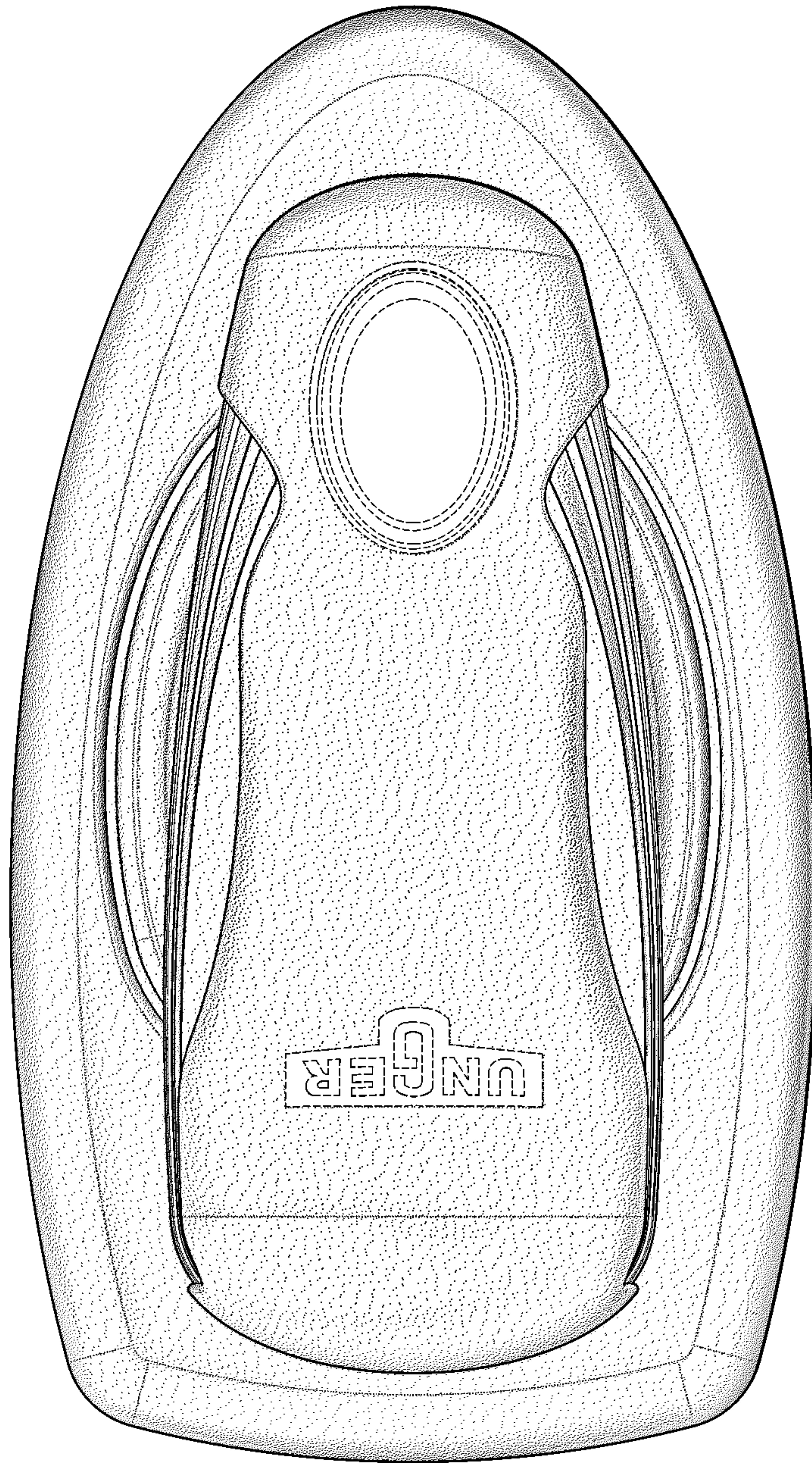
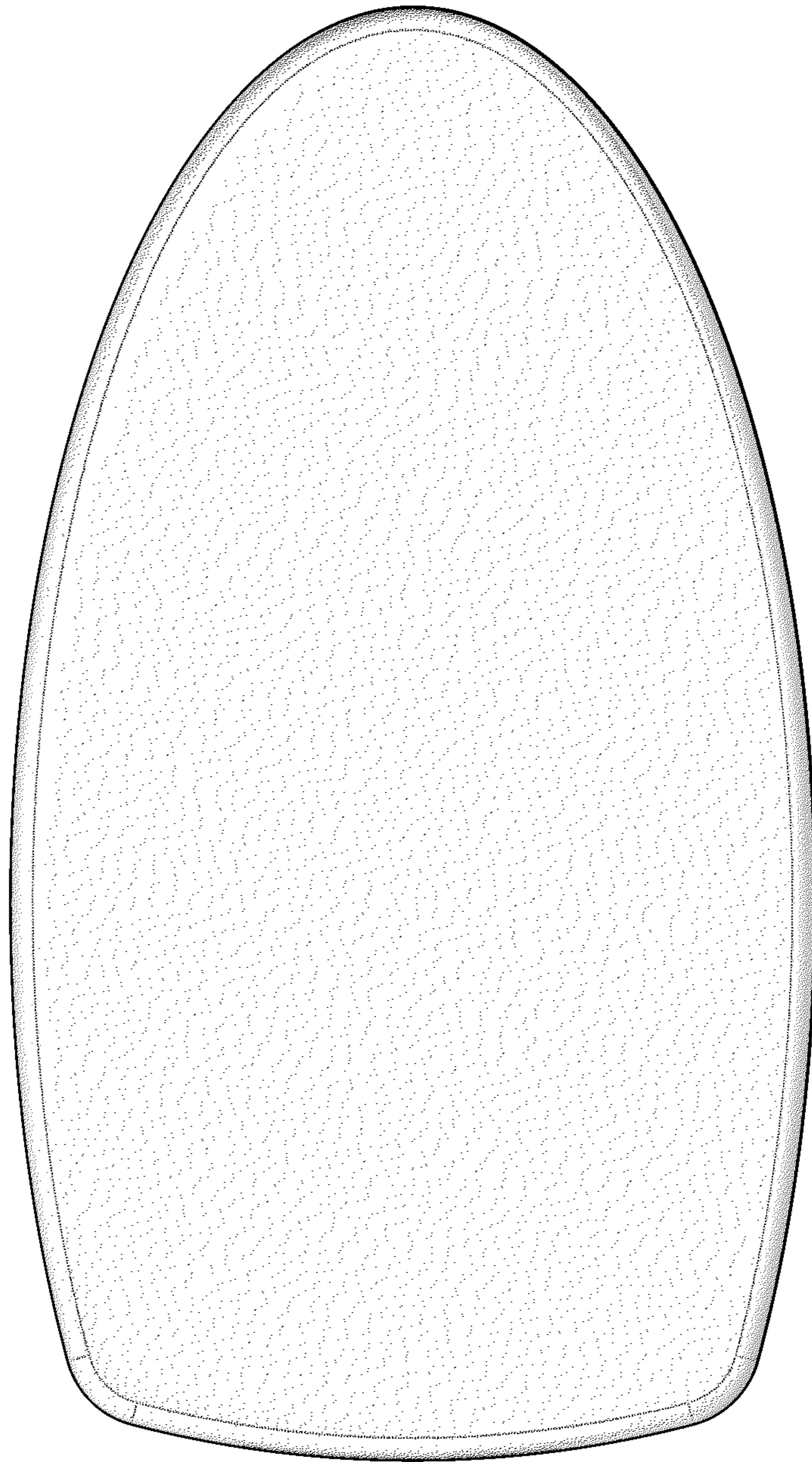


FIG. 3



**FIG. 4**



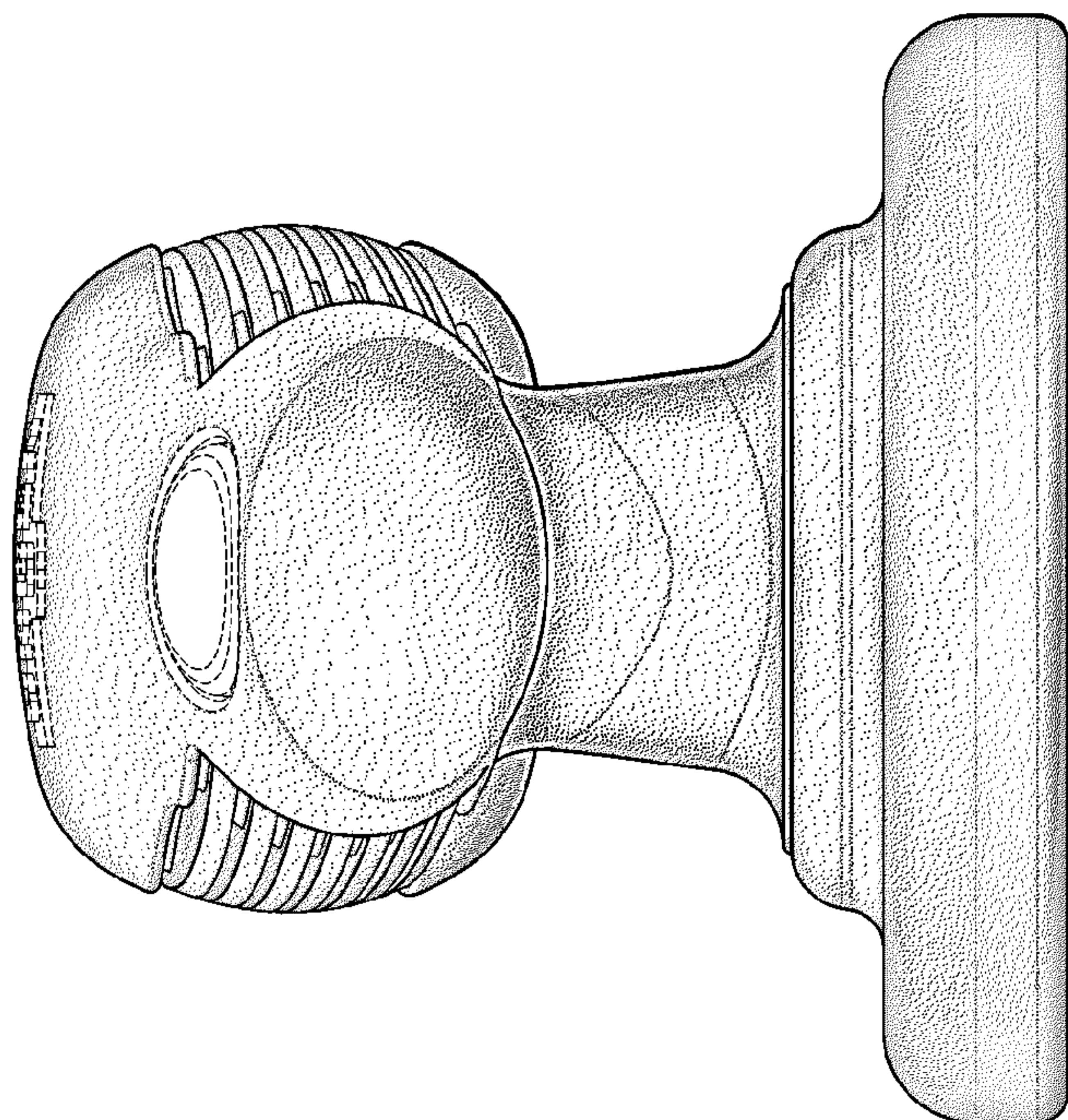


FIG. 6

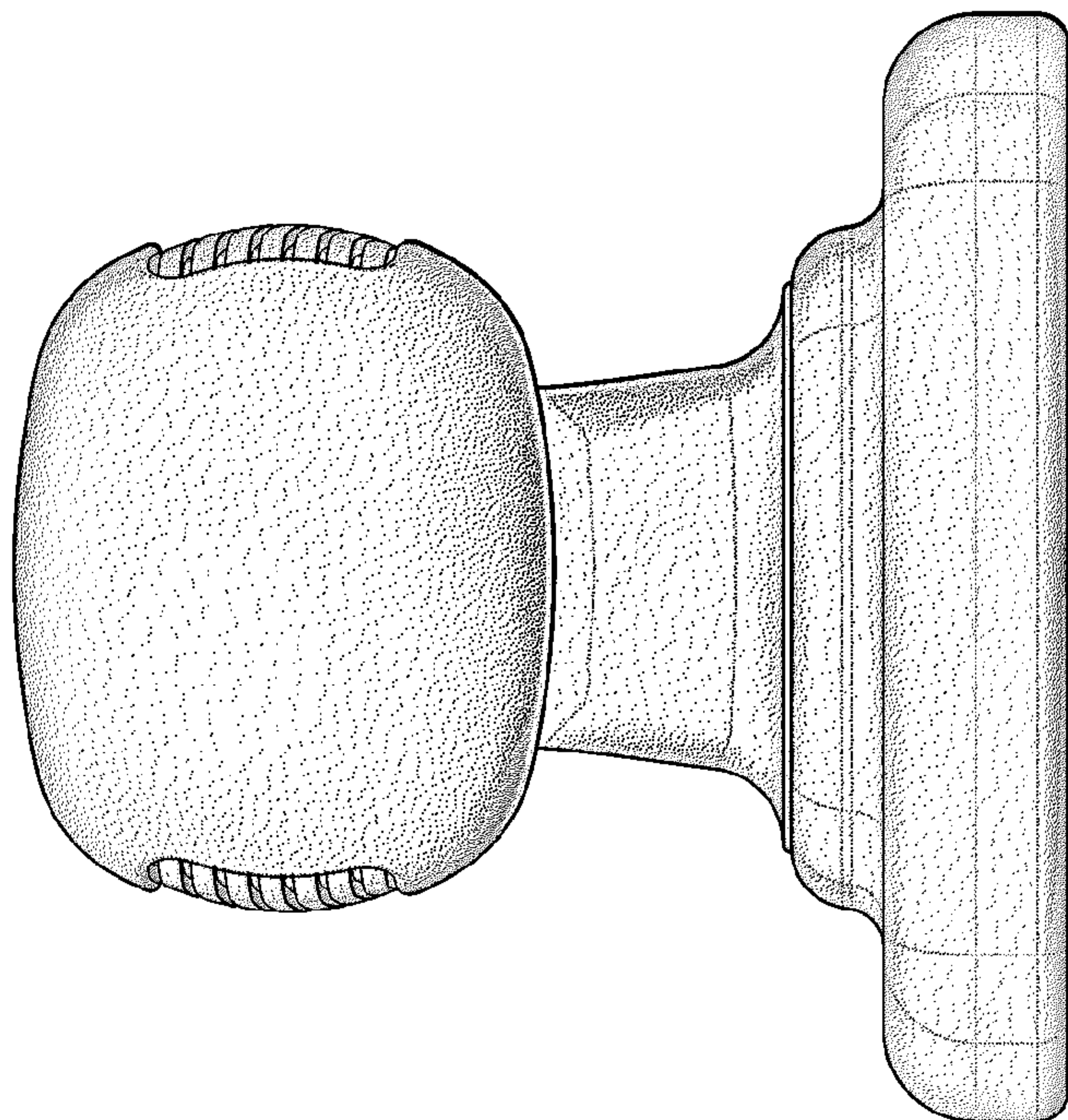


FIG. 5