



US00D743702S

(12) **United States Design Patent**
Harrington et al.

(10) **Patent No.:** **US D743,702 S**

(45) **Date of Patent:** **** Nov. 24, 2015**

(54) **BRUSH HANDLE**

(71) Applicant: **Unger Marketing International, LLC**,
Bridgeport, CT (US)

(72) Inventors: **William Harrington**, Charlestown, RI
(US); **James M. Buckley**, New Hartford,
CT (US)

(73) Assignee: **UNGER MARKETING**
INTERNATIONAL, LLC, Bridgeport,
CT (US)

(**) Term: **14 Years**

(21) Appl. No.: **29/485,934**

(22) Filed: **Mar. 25, 2014**

(51) **LOC (10) Cl.** **04-01**

(52) **U.S. Cl.**
USPC **D4/138**

(58) **Field of Classification Search**
USPC D4/131-138; D3/12, 16; D8/107, 303,
D8/308, 309, 315; 15/143.1, 145; 16/422,
16/426, 430, 444, 900, DIG. 12, DIG. 18,
16/DIG. 19

CPC A46B 5/02; A46B 5/021; A46B 5/023;
A46B 5/025; A46B 5/026; A46B 5/028;
B25G 1/00; B25G 1/10; B25G 1/102; Y10S
16/12; Y10S 16/18; Y10S 16/19; Y10S 16/90;
Y10T 16/44; Y10T 16/469; Y10T 16/4713;
Y10T 16/476

See application file for complete search history.

(56) **References Cited**

U.S. PATENT DOCUMENTS

D20,551 S * 3/1891 Schmidt D3/14
D20,553 S * 3/1891 Schmidt D3/16
D22,310 S * 3/1893 Stein D3/14

D212,668 S * 11/1968 Miller D4/132
D227,827 S * 7/1973 Lindbo D4/132
3,751,094 A * 8/1973 Bohler 294/58
4,197,611 A 4/1980 Bell et al.
D258,861 S 4/1981 Bratton et al.
4,721,021 A 1/1988 Kuszniir
4,739,536 A 4/1988 Bandera et al.
D296,946 S 7/1988 Stirling
D308,157 S * 5/1990 Maxian D8/10
4,974,286 A 12/1990 Stowell et al.
D333,239 S * 2/1993 Pogue D7/649
D354,881 S 1/1995 Huff
D361,695 S 8/1995 Sutker
5,446,941 A 9/1995 Kelsay
D373,506 S 9/1996 Viemeister
D380,345 S 7/1997 Lu
D384,242 S 9/1997 Ancona et al.
D389,698 S 1/1998 Cohen et al.

(Continued)

Primary Examiner — Melanie H Tung

Assistant Examiner — Lavone D Tabor

(74) *Attorney, Agent, or Firm* — Ohlandt, Greeley, Ruggiero
& Perle, LLP

(57) **CLAIM**

The ornamental design for the brush handle, as shown and
described.

DESCRIPTION

FIG. 1 is a top rear perspective view of a brush handle accord-
ing to the present disclosure;

FIG. 2 is a side view of the brush handle of FIG. 1, the
opposite side being identical thereto; and

FIG. 3 is a top view of the brush handle of FIG. 1;

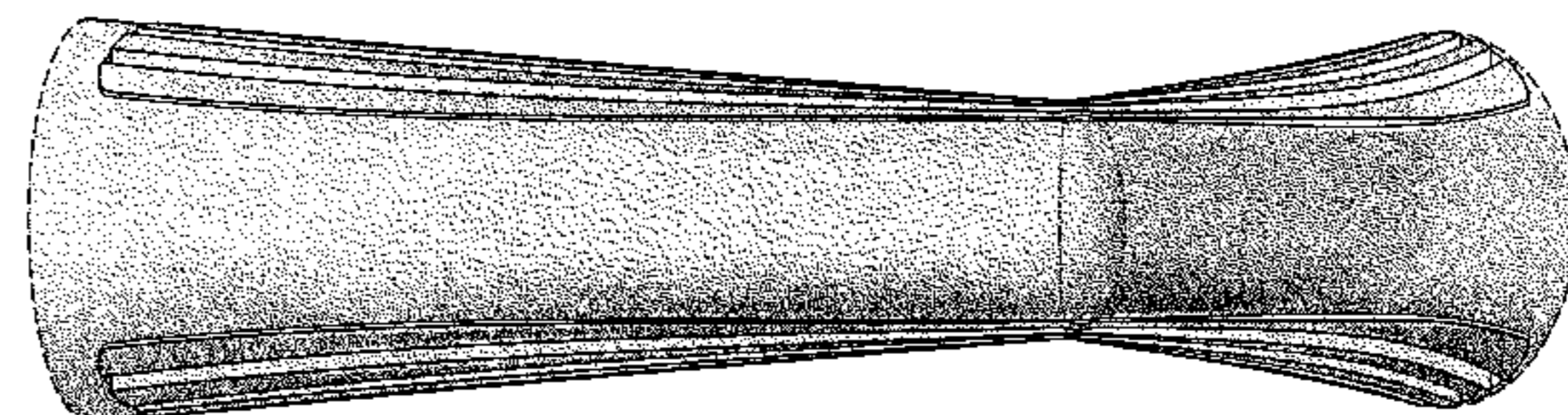
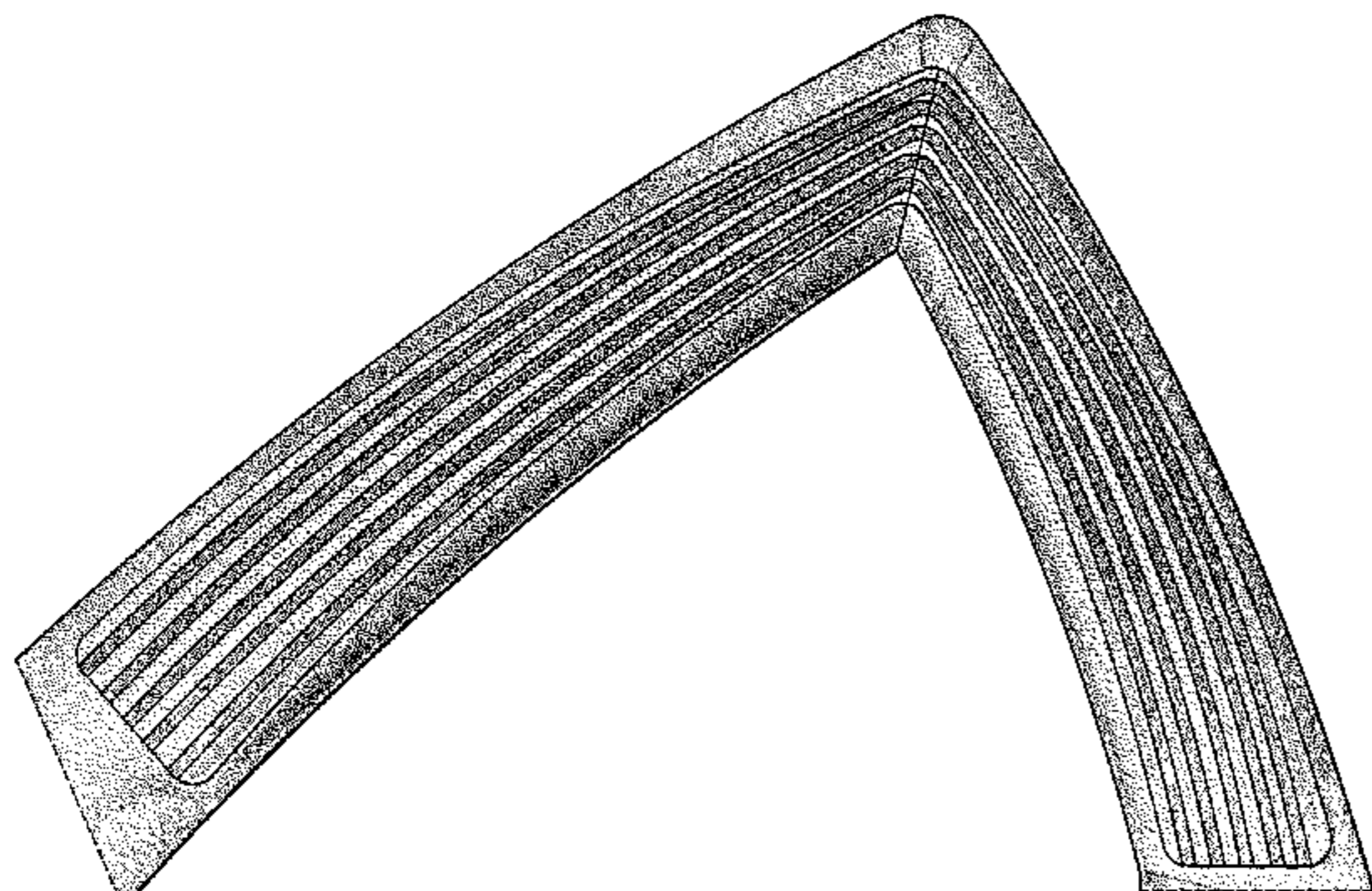
FIG. 4 is a bottom view of the brush handle of FIG. 1;

FIG. 5 is a rear view of the brush handle of FIG. 1; and,

FIG. 6 is a front view of the brush handle of FIG. 1.

The broken lines and the areas within the broken lines illus-
trate portions of brush handle that form no part of the claimed
design.

1 Claim, 4 Drawing Sheets



(56)

References Cited

U.S. PATENT DOCUMENTS

| | | | | | |
|--------------|---------|-------------------|--------------|---------|------------------------------|
| D396,168 S | 7/1998 | Cohen et al. | D509,991 S | 9/2005 | Costello et al. |
| D399,388 S | 10/1998 | Cohen et al. | D520,852 S | 5/2006 | Minkler et al. |
| 5,857,241 A | 1/1999 | Camp, Jr. et al. | D534,725 S | 1/2007 | Vu |
| D406,491 S | 3/1999 | Cohen et al. | D553,907 S | 10/2007 | Catalano et al. |
| D411,410 S | 6/1999 | Pedrini | D554,817 S | 11/2007 | Talesfore et al. |
| 5,964,009 A | 10/1999 | Hoepfl et al. | D557,084 S | 12/2007 | Yamanaka et al. |
| D431,753 S | 10/2000 | Cohen et al. | D562,516 S | 2/2008 | Talesfore et al. |
| D434,231 S * | 11/2000 | Chen D4/127 | D579,209 S * | 10/2008 | Krause et al. D4/132 |
| RE37,190 E | 5/2001 | Stowell et al. | D584,061 S | 1/2009 | Meyer |
| 6,237,193 B1 | 5/2001 | Skerker et al. | D586,877 S | 2/2009 | Li |
| 6,256,828 B1 | 7/2001 | Sauer | D586,962 S | 2/2009 | Li |
| D446,025 S | 8/2001 | Petner | D591,956 S | 5/2009 | Treacy |
| 6,273,626 B1 | 8/2001 | Yazawa | D594,274 S | 6/2009 | McKenzie |
| D448,176 S | 9/2001 | Petner | D597,316 S * | 8/2009 | Borovicka et al. D4/129 |
| 6,352,662 B1 | 3/2002 | Murphy et al. | D606,320 S | 12/2009 | Meyer |
| D461,058 S | 8/2002 | Hay | D607,169 S | 12/2009 | Weis et al. |
| 6,633,309 B2 | 10/2003 | Lau et al. | 7,674,418 B2 | 3/2010 | Matsumoto et al. |
| D500,600 S | 1/2005 | Hay et al. | D616,649 S | 6/2010 | Lin |
| D500,927 S | 1/2005 | Hay | D624,264 S | 9/2010 | Li |
| D502,002 S | 2/2005 | Conway et al. | D630,888 S | 1/2011 | Bodum |
| D502,324 S | 3/2005 | Conway et al. | D647,703 S | 11/2011 | Li |
| D508,631 S | 8/2005 | Cuillery | D650,955 S | 12/2011 | Chapman et al. |
| | | | 8,215,945 B2 | 7/2012 | Matsumoto et al. |
| | | | D694,021 S | 11/2013 | Weaver et al. |

* cited by examiner

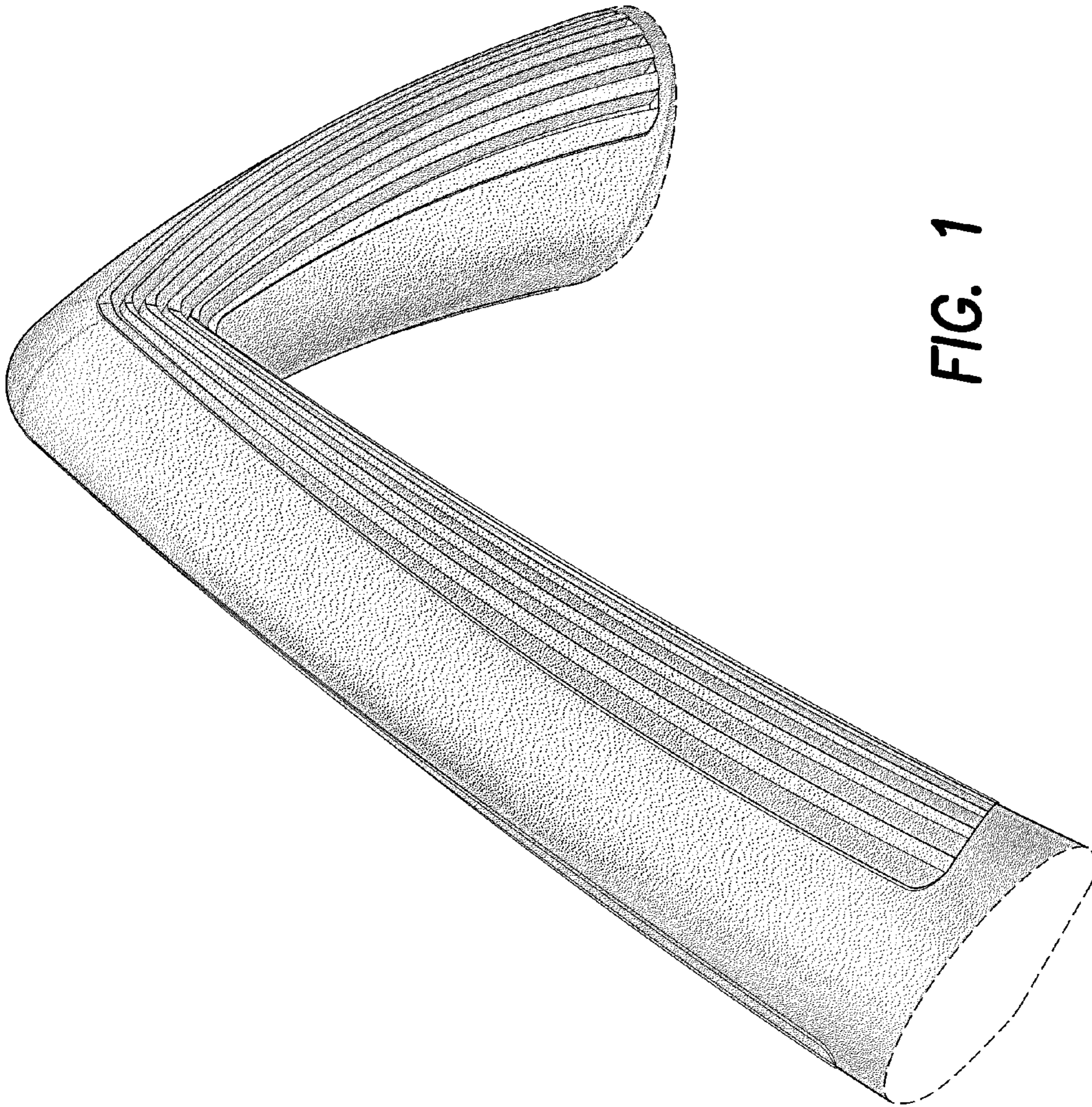


FIG. 1

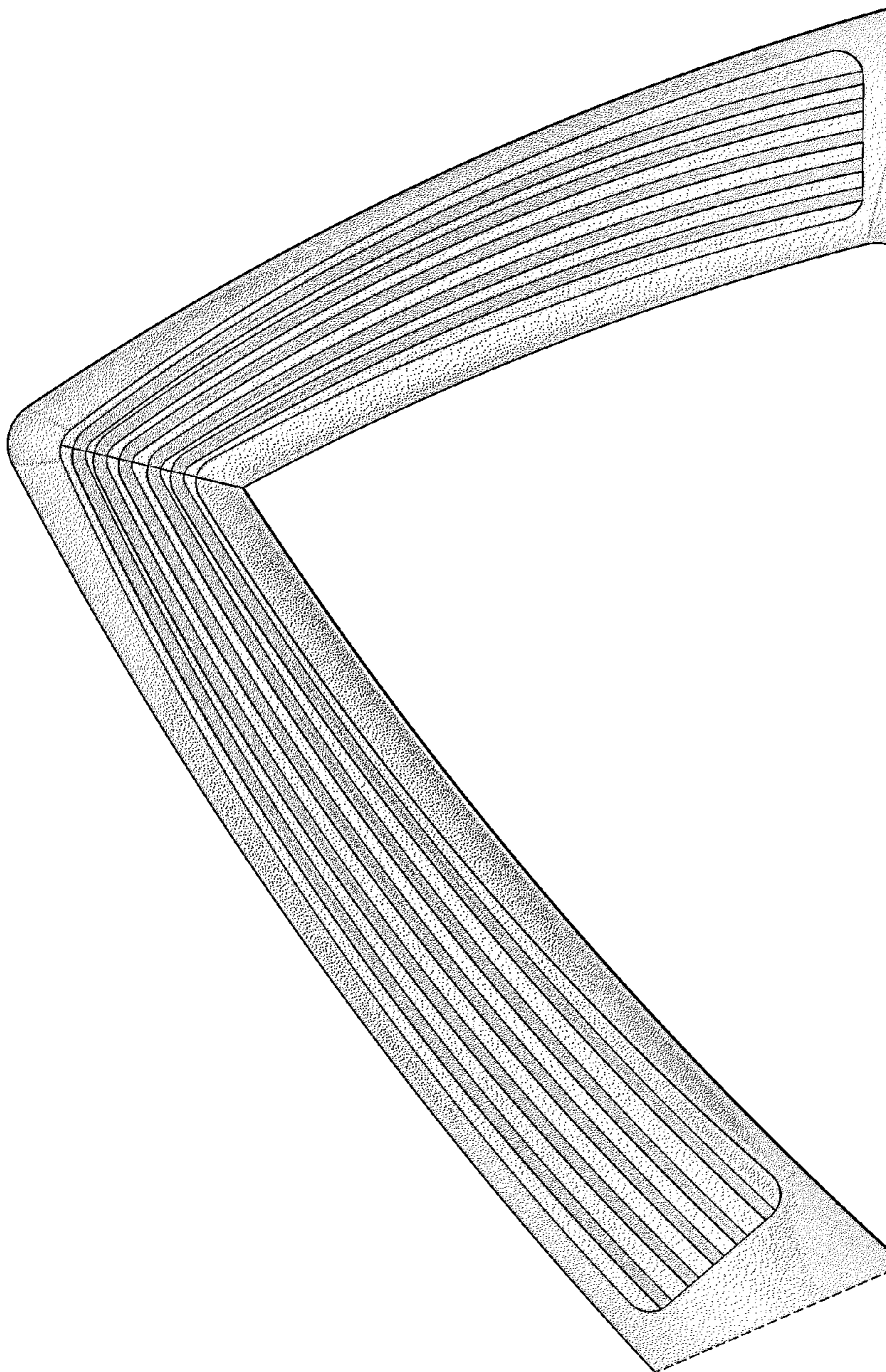


FIG. 2

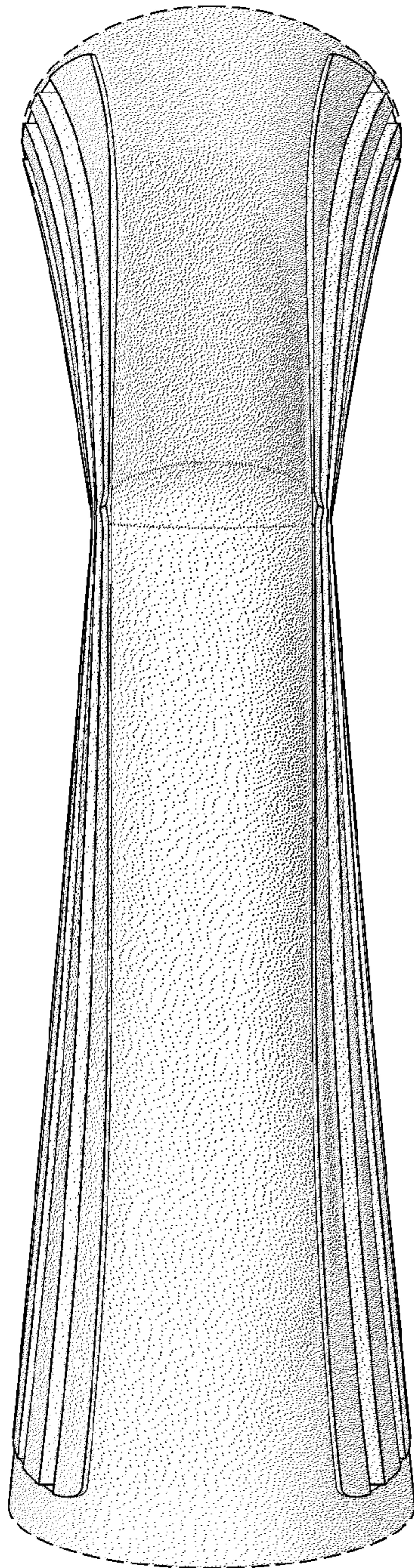


FIG. 3

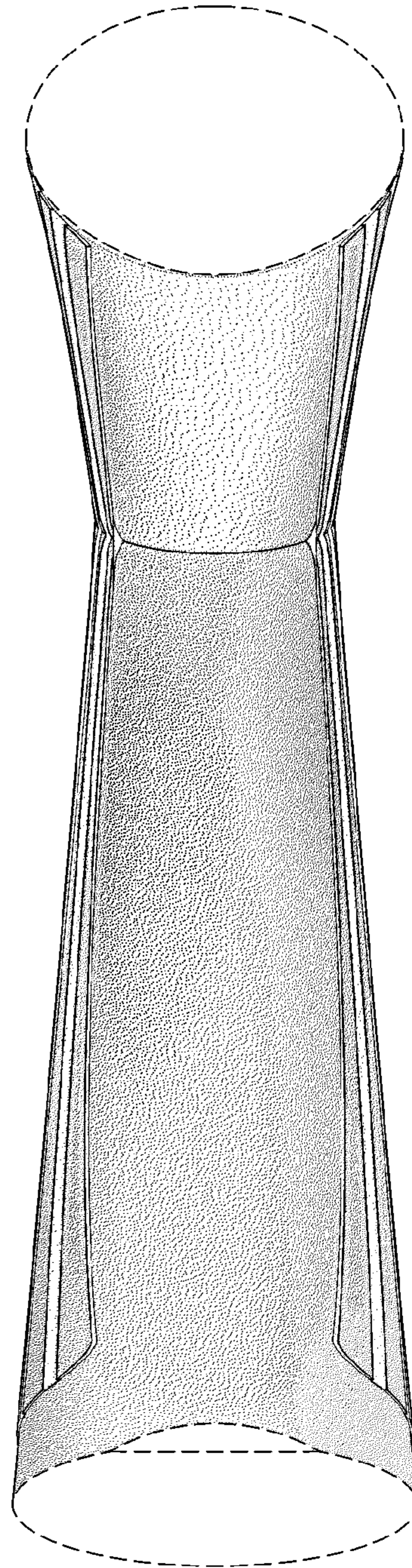


FIG. 4

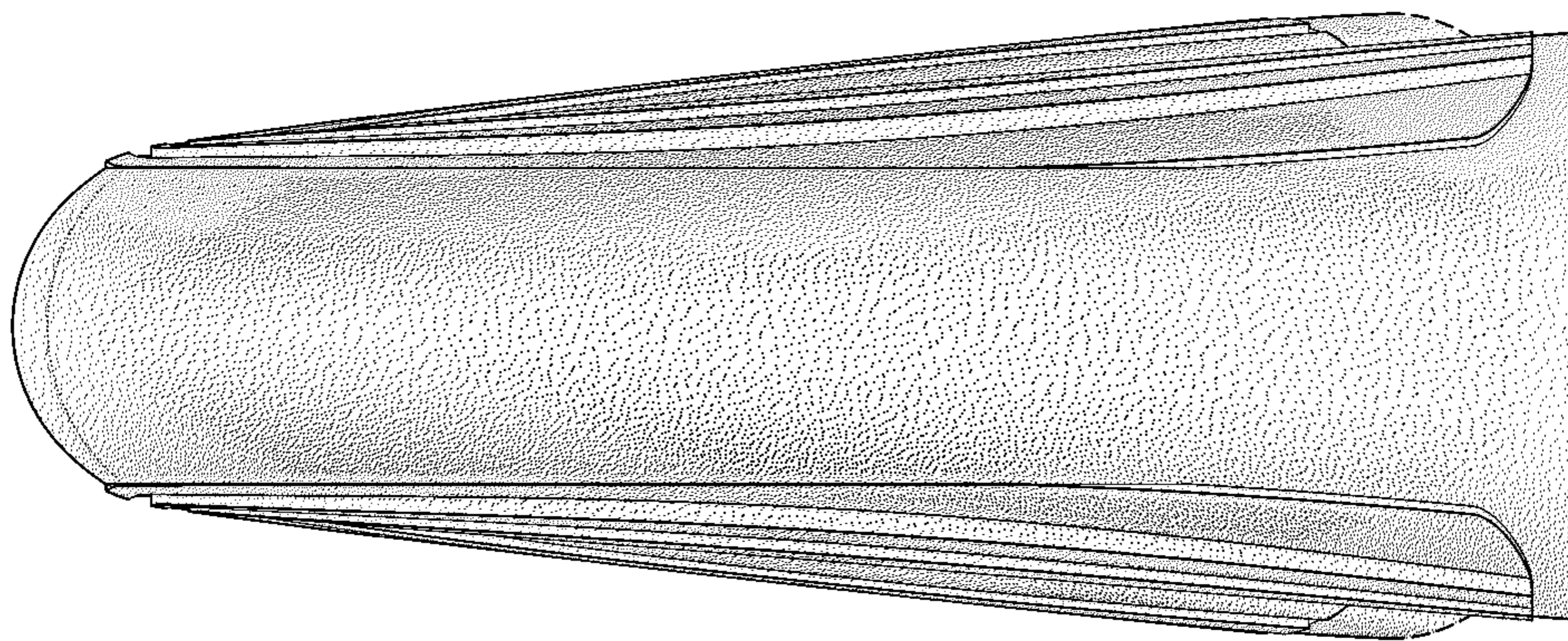


FIG. 6

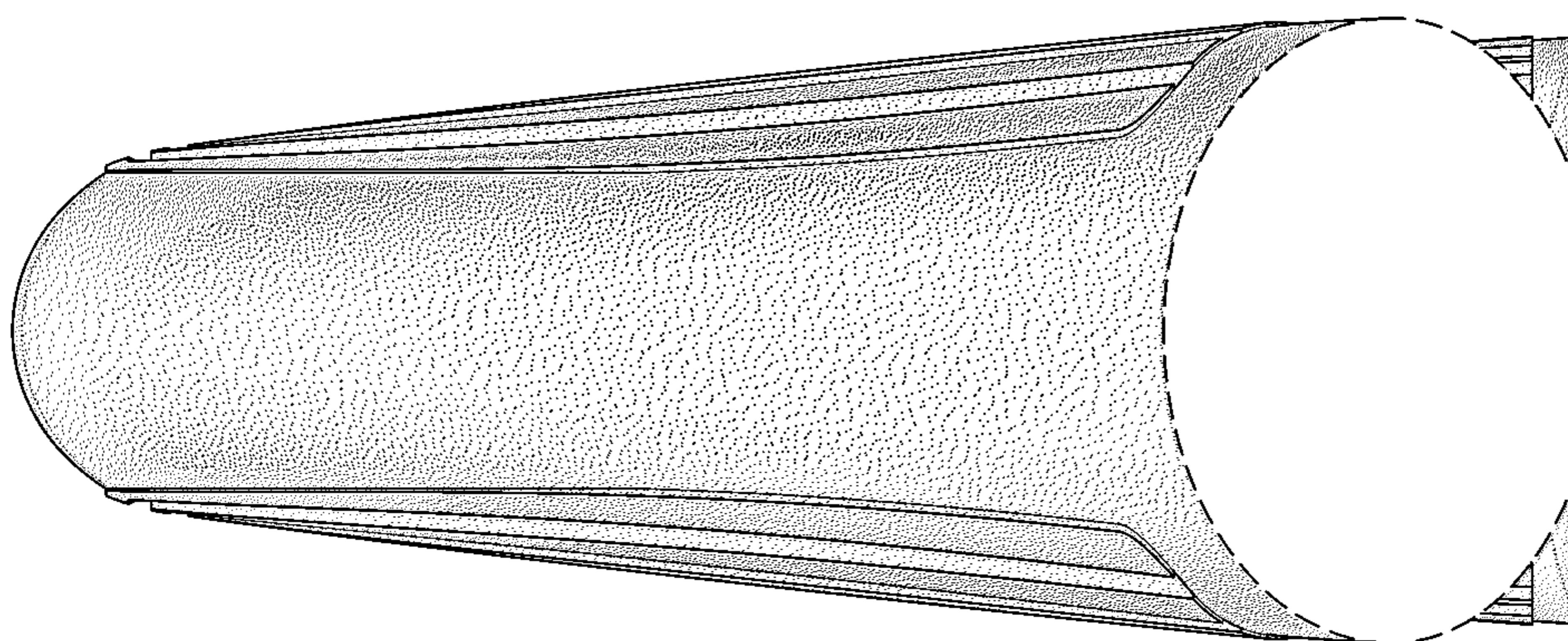


FIG. 5