

US00D743701S

(12) **United States Design Patent**
Arvinte et al.

(10) **Patent No.:** **US D743,701 S**
(45) **Date of Patent:** **** Nov. 24, 2015**

- (54) **ROLLER COVER ADAPTOR**
- (71) Applicant: **A. RICHARD TOOLS CO./OUTILS**
A. RICHARD CO., Berthierville (CA)
- (72) Inventors: **Romeo Arvinte**, Laval-des-Rapides (CA); **Francois Panfili**, Berthierville (CA)
- (73) Assignee: **A. RICHARD TOOLS CO./OUTILS**
A. RICHARDO CO., Berthierville, Quebec (CA)
- (**) Term: **14 Years**
- (21) Appl. No.: **29/512,339**
- (22) Filed: **Dec. 18, 2014**
- (51) **LOC (10) Cl.** **04-01**
- (52) **U.S. Cl.**
USPC **D4/122**
- (58) **Field of Classification Search**
USPC D4/122, 128, 138; 15/27, 104.002, 15/143.1, 230.11; 16/110.1, 430; 492/13, 492/14, 17, 19
CPC B05C 17/0207; B29C 63/18; B29C 63/48; D04B 1/025
See application file for complete search history.

- D539,545 S * 4/2007 Crane D4/122
- D626,750 S * 11/2010 Armstrong D4/114
- D629,616 S * 12/2010 Vasilakes D4/122
- D681,341 S * 5/2013 Caligaris D4/122
- 8,479,346 B1 * 7/2013 Raghuprasad A47L 13/34
15/111
- D691,378 S * 10/2013 Taub D4/122
- 8,904,588 B2 * 12/2014 Taub A47L 25/005
15/104.002
- D727,579 S * 4/2015 Willis D32/25

* cited by examiner

Primary Examiner — Austin Murphy

(74) *Attorney, Agent, or Firm* — Merchant & Gould P.C.

(57) **CLAIM**

The ornamental design for a roller cover adaptor, as shown and described.

DESCRIPTION

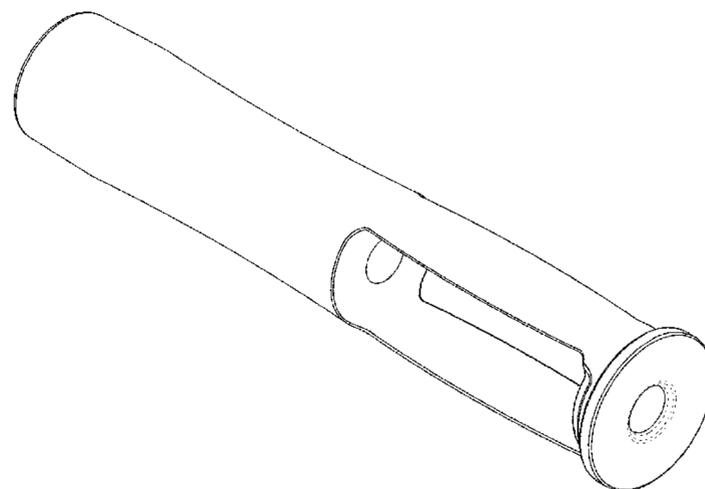
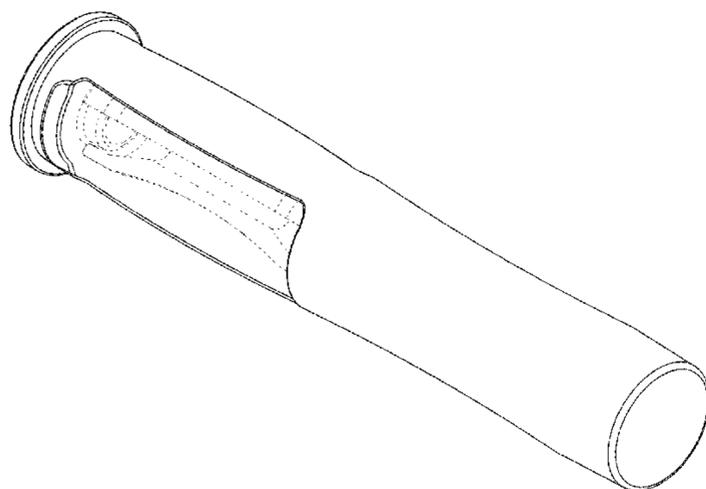
FIG. 1 is a front perspective view of a first embodiment of our design;
 FIG. 2 is rear perspective view thereof;
 FIG. 3 is a front view thereof;
 FIG. 4 is a rear view thereof;
 FIG. 5 is a right side view thereof;
 FIG. 6 is a left side view thereof;
 FIG. 7 is a top view thereof;
 FIG. 8 is a bottom view thereof;
 FIG. 9 is a front perspective view of a second embodiment of our design;
 FIG. 10 is rear perspective view thereof;
 FIG. 11 is a front view thereof;
 FIG. 12 is a rear view thereof;
 FIG. 13 is a right side view thereof;
 FIG. 14 is a left side view thereof;
 FIG. 15 is a top view thereof; and,
 FIG. 16 is a bottom view thereof.

1 Claim, 10 Drawing Sheets

(56) **References Cited**

U.S. PATENT DOCUMENTS

- D291,152 S * 8/1987 Bay D4/122
- D309,376 S * 7/1990 Kiesz D4/122
- D309,378 S * 7/1990 Kiesz D4/121
- D323,246 S * 1/1992 Best D4/122
- D336,370 S * 6/1993 Hunt 15/248.2
- D336,784 S * 6/1993 Yen D4/122
- D349,606 S * 8/1994 O'Neil D4/122
- D530,099 S * 10/2006 Decoopman D4/122



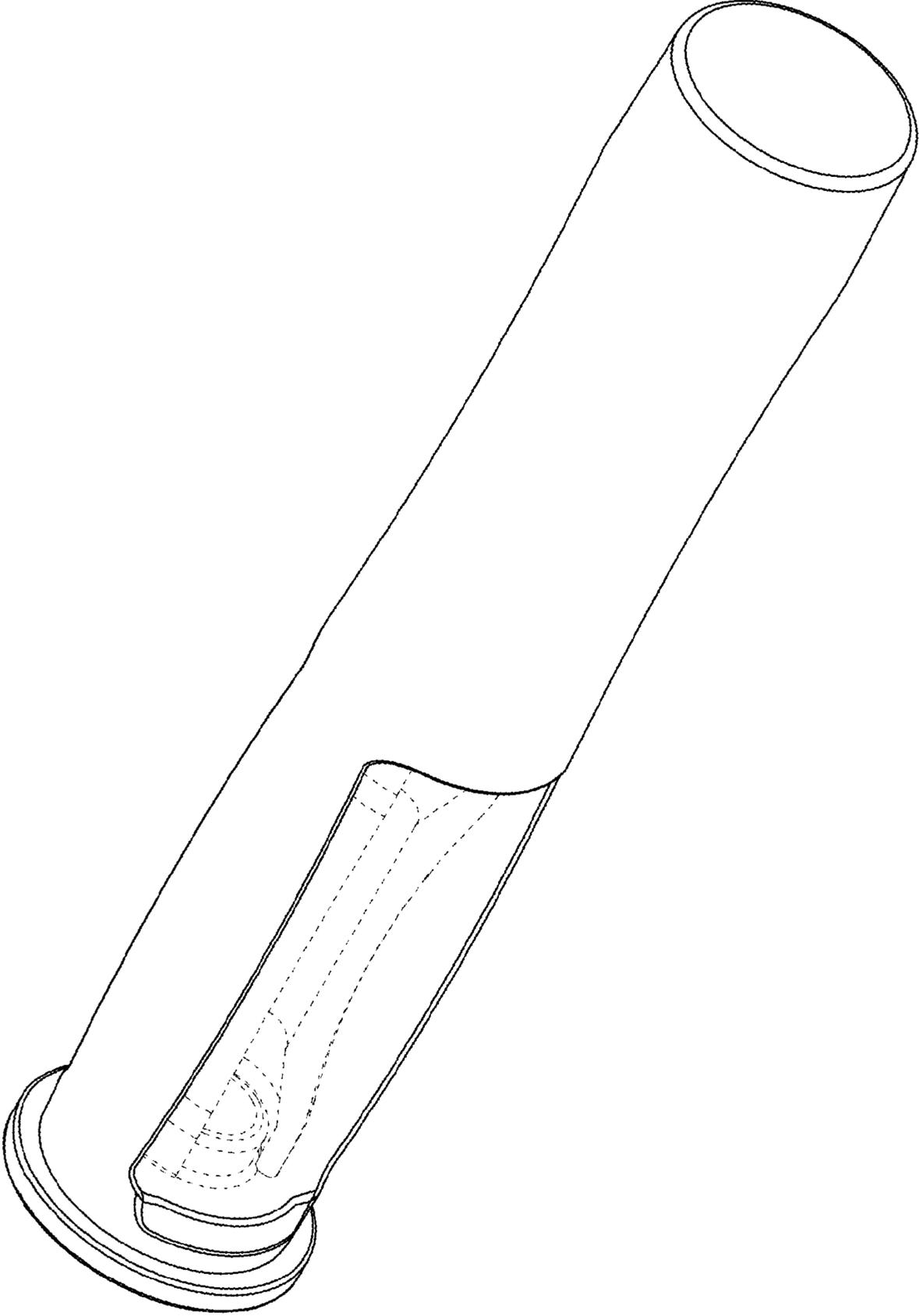


FIG. 1

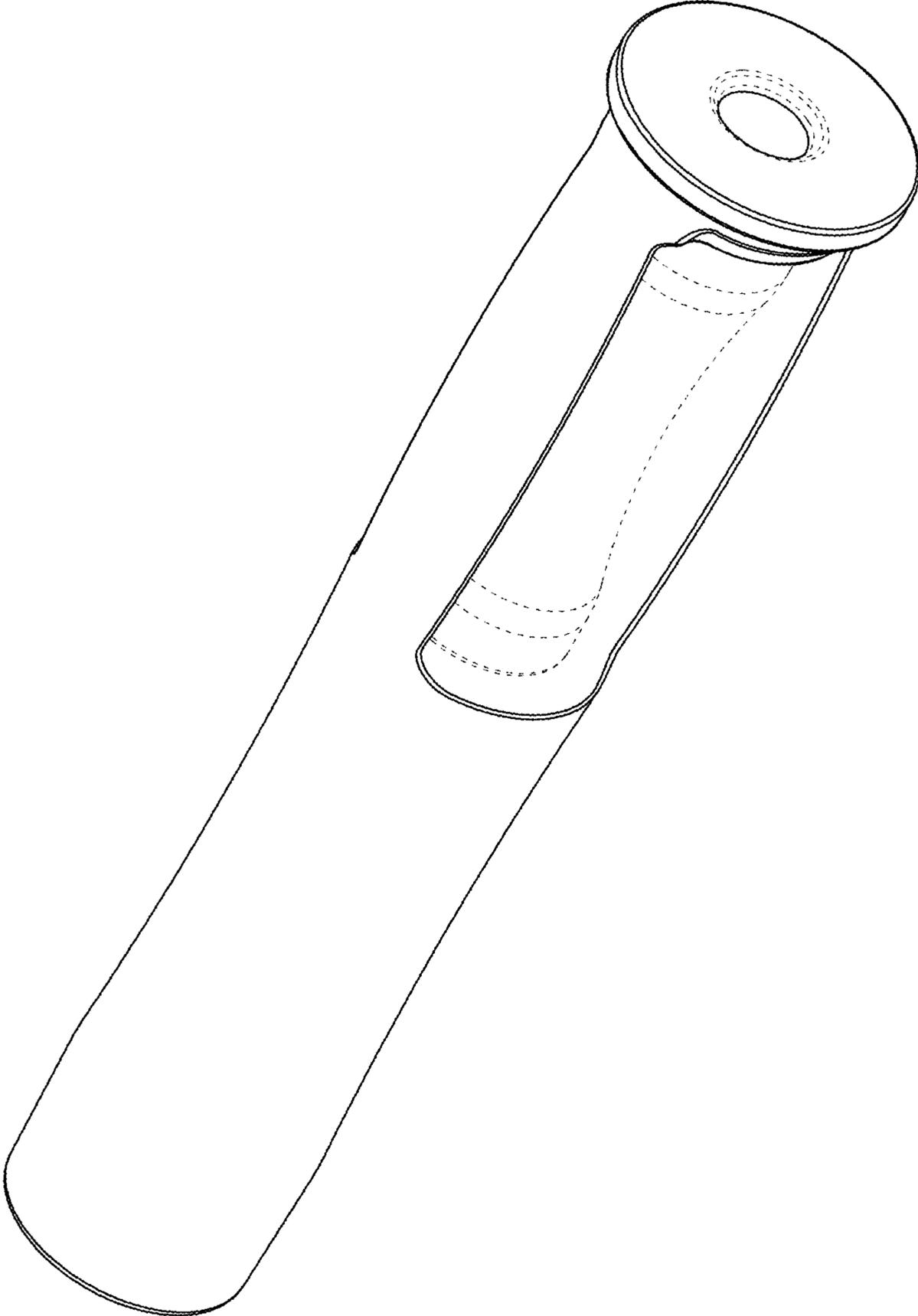


FIG. 2

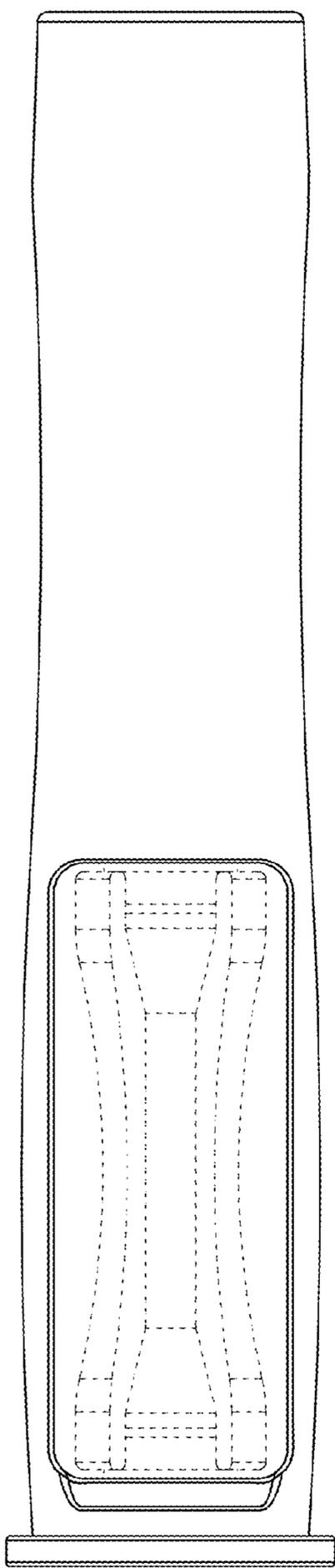


FIG. 3

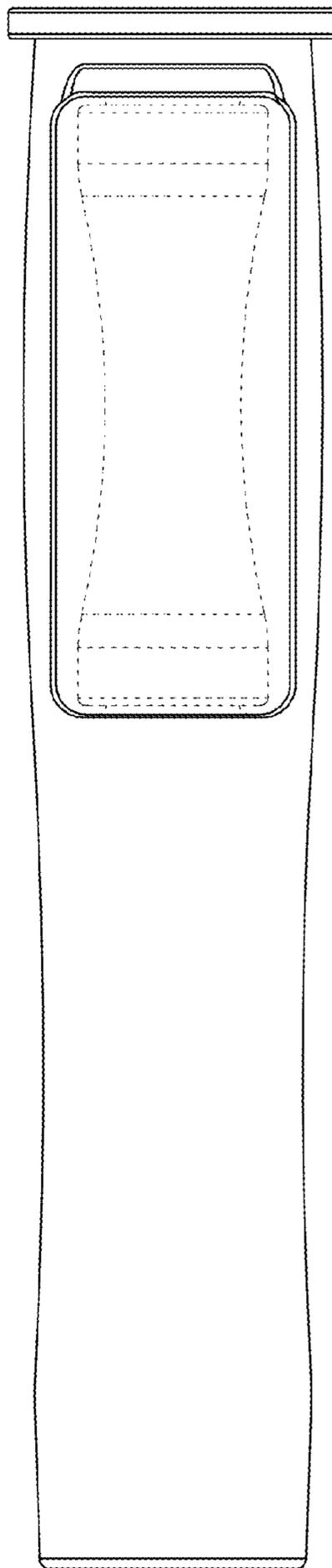


FIG. 4

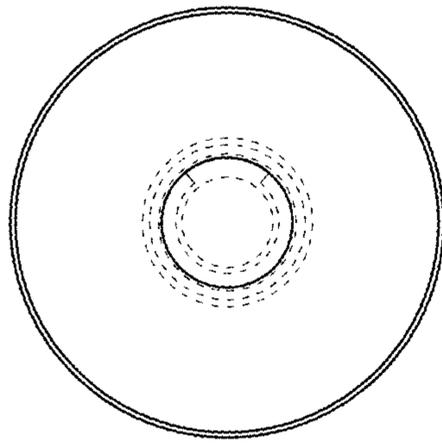


FIG. 6

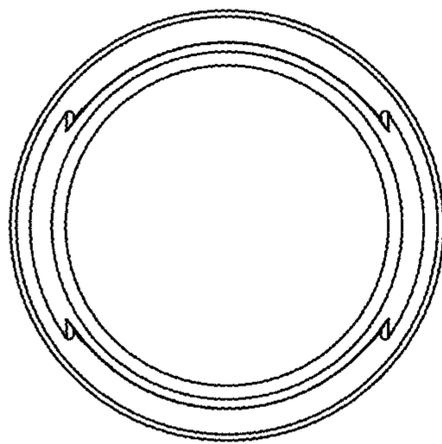


FIG. 5

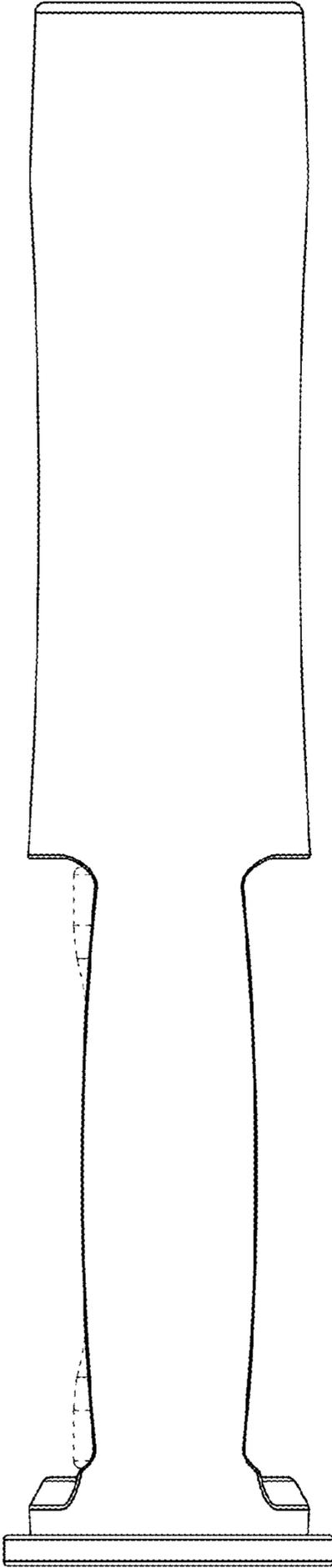


FIG. 7

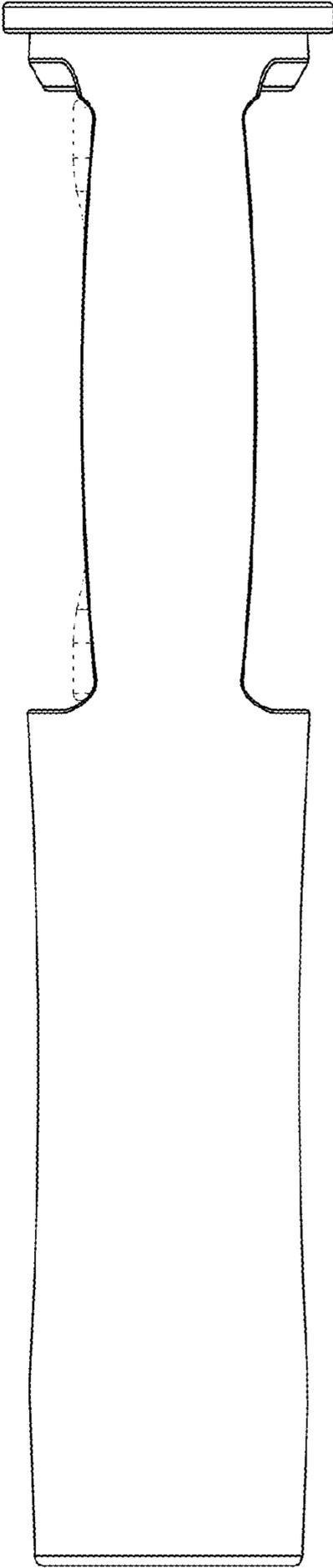


FIG. 8

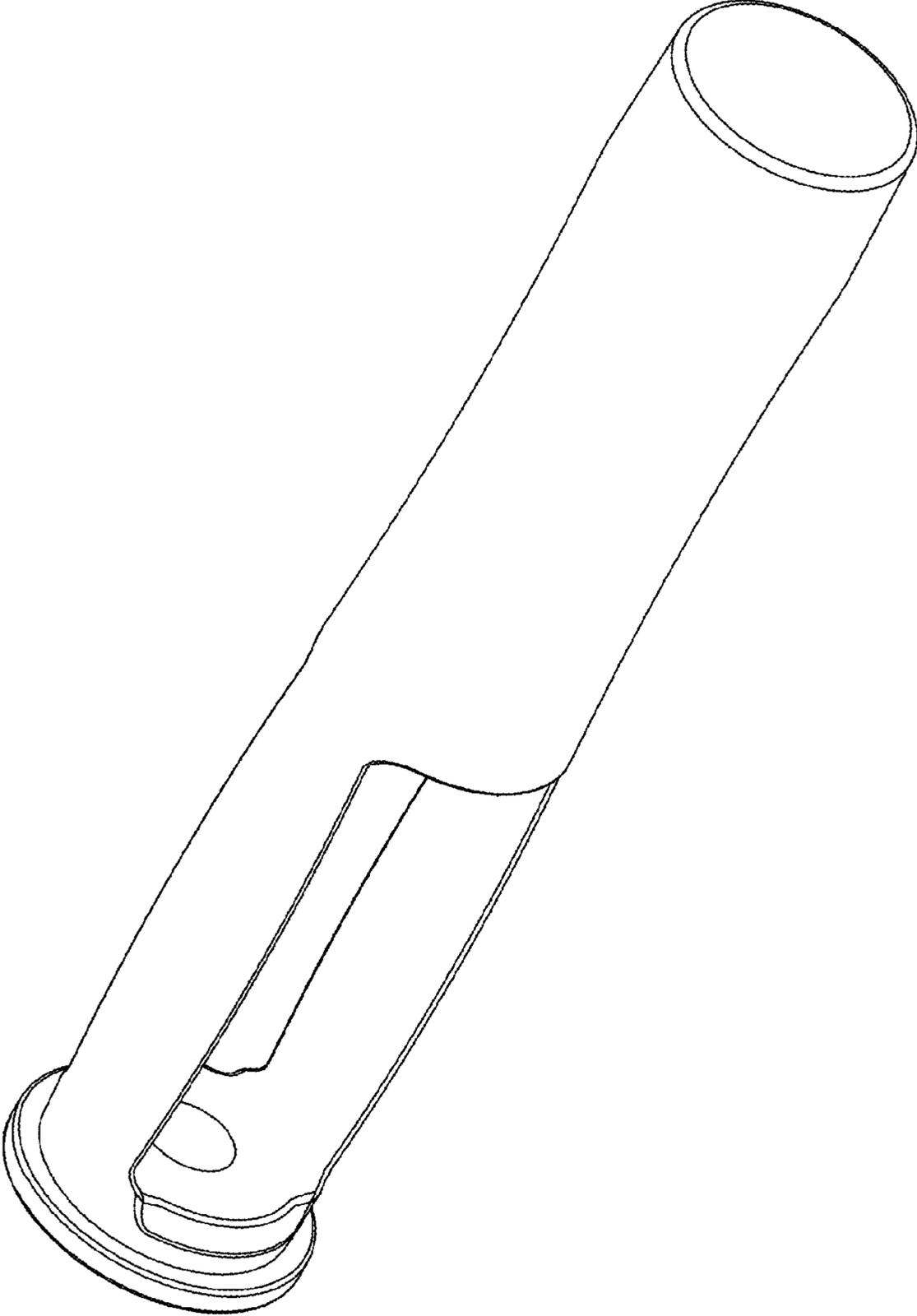


FIG. 9

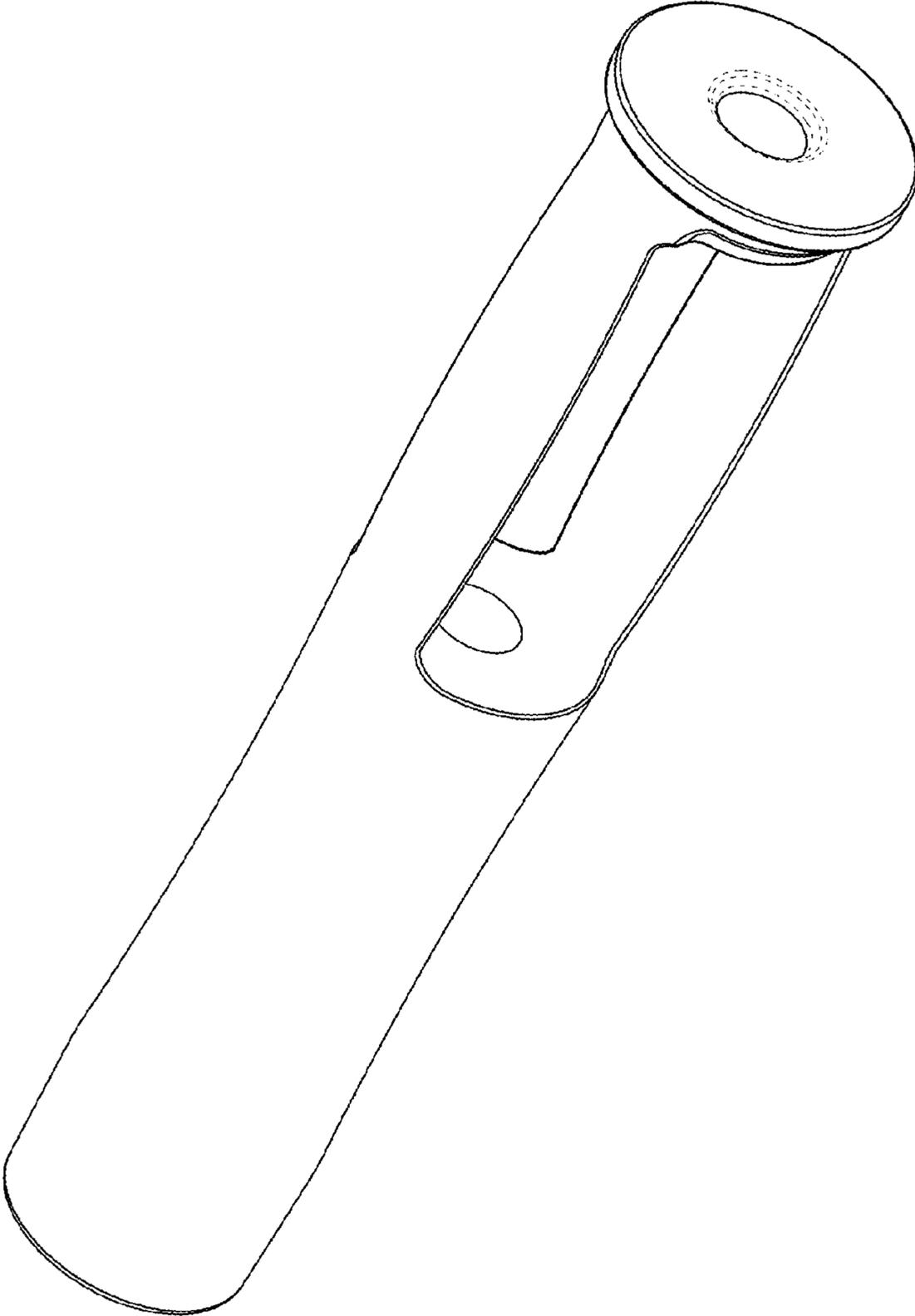


FIG. 10

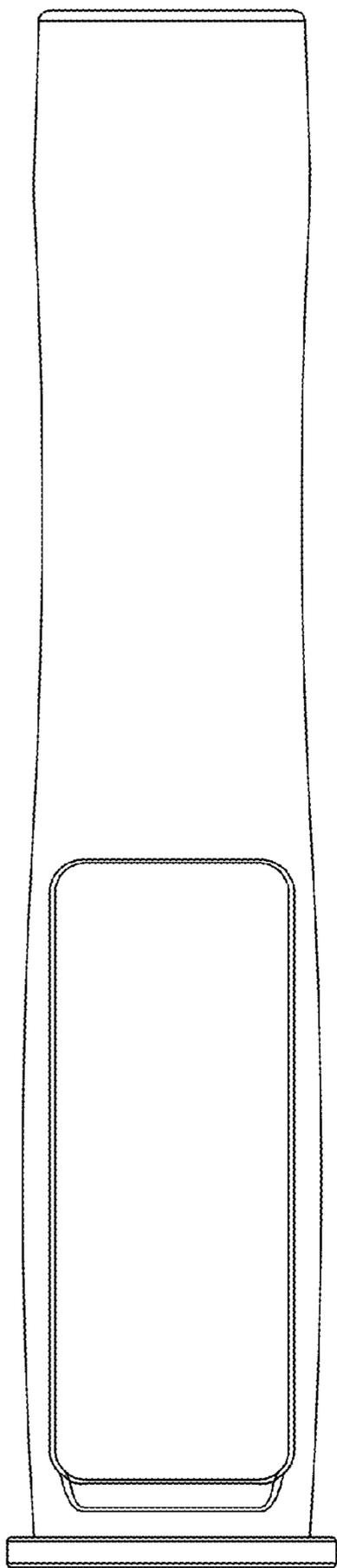


FIG. 11

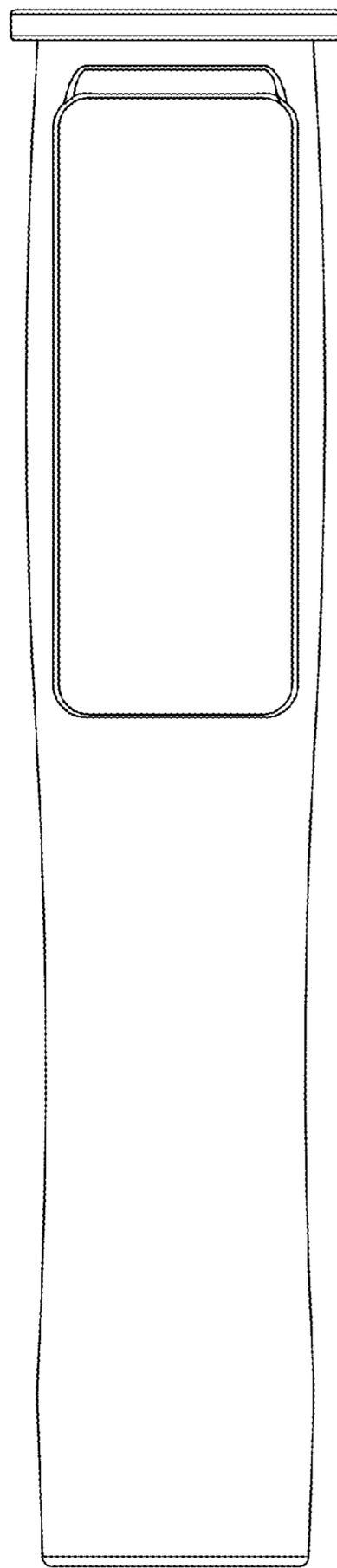


FIG. 12

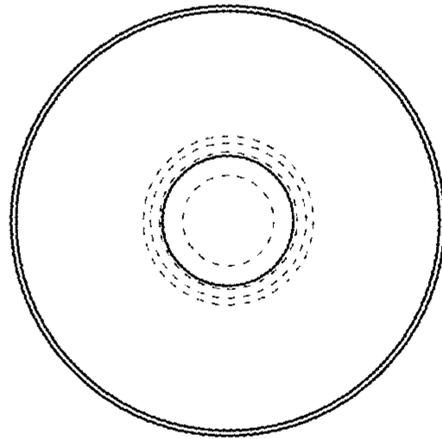


FIG. 14

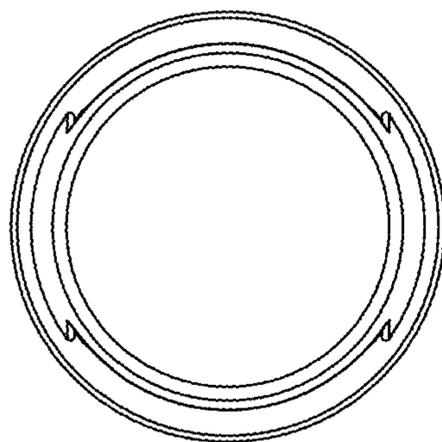


FIG. 13

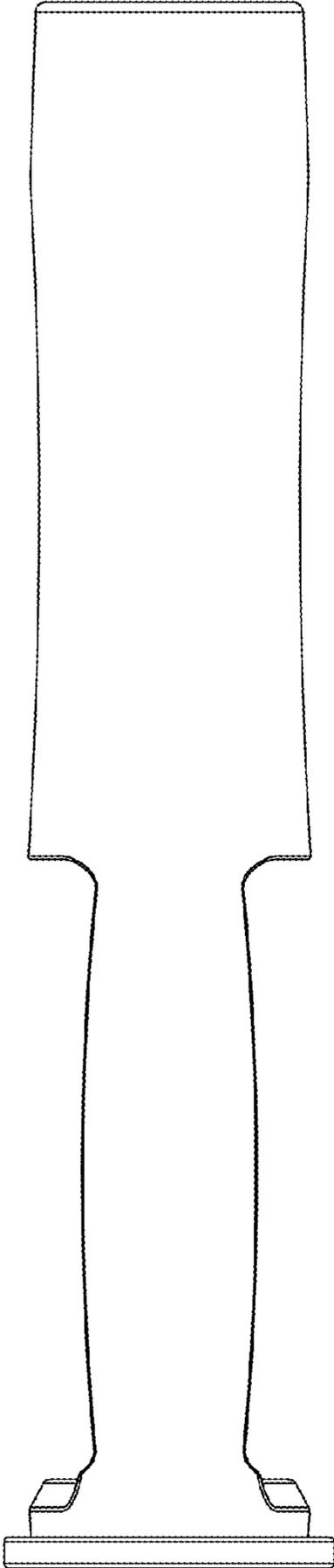


FIG. 15

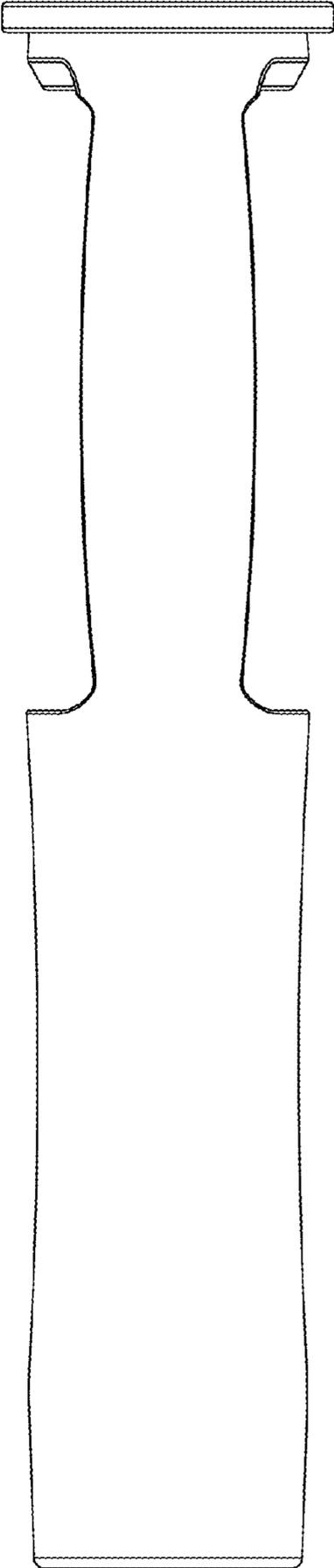


FIG. 16