



US00D743697S

(12) **United States Design Patent**  
**Tooze**

(10) **Patent No.:** **US D743,697 S**

(45) **Date of Patent:** **\*\* Nov. 24, 2015**

(54) **SUITCASE**  
(71) Applicant: **Antler Limited**, London (GB)  
(72) Inventor: **Dominic Tooze**, London (GB)  
(73) Assignee: **Antler Limited** (GB)  
(\*\*) Term: **14 Years**

D633,716 S \* 3/2011 Turella-Yuan et al. .... D3/279  
D664,355 S \* 7/2012 Moon ..... D3/279  
D665,998 S \* 8/2012 Sijmons ..... D3/279  
D671,745 S \* 12/2012 Wyner ..... D3/301  
D685,186 S \* 7/2013 Massaud ..... D3/279  
D710,101 S \* 8/2014 Wu ..... D3/279  
D710,609 S \* 8/2014 Sijmons ..... D3/279  
D711,104 S \* 8/2014 Lai ..... D3/279  
D712,658 S \* 9/2014 Lai ..... D3/279  
D714,055 S \* 9/2014 Junkins ..... D3/279

(21) Appl. No.: **29/497,954**  
(22) Filed: **Jul. 30, 2014**

**FOREIGN PATENT DOCUMENTS**

GB 4016780 8/2010  
\* cited by examiner

(30) **Foreign Application Priority Data**  
Feb. 4, 2014 (EM) ..... 002398230-001  
Jul. 24, 2014 (EM) ..... 002508747-001  
(51) **LOC (10) Cl.** ..... **03-01**  
(52) **U.S. Cl.**  
USPC ..... **D3/279**; D3/294  
(58) **Field of Classification Search**  
USPC ..... D3/272, 273, 276, 278, 279, 281, 283,  
D3/284, 285, 289, 294, 295, 298, 301, 302,  
D3/902  
CPC ..... A45C 2003/008; A45C 5/00; A45C 5/03;  
A45C 2005/032; A45C 2005/035; A45C  
2005/037; A45C 5/06; A45C 5/14; A45C  
13/1084; A45C 13/385  
See application file for complete search history.

*Primary Examiner* — Jennifer Rivard  
*Assistant Examiner* — April Rivas  
(74) *Attorney, Agent, or Firm* — Saidman DesignLaw  
Group, LLC

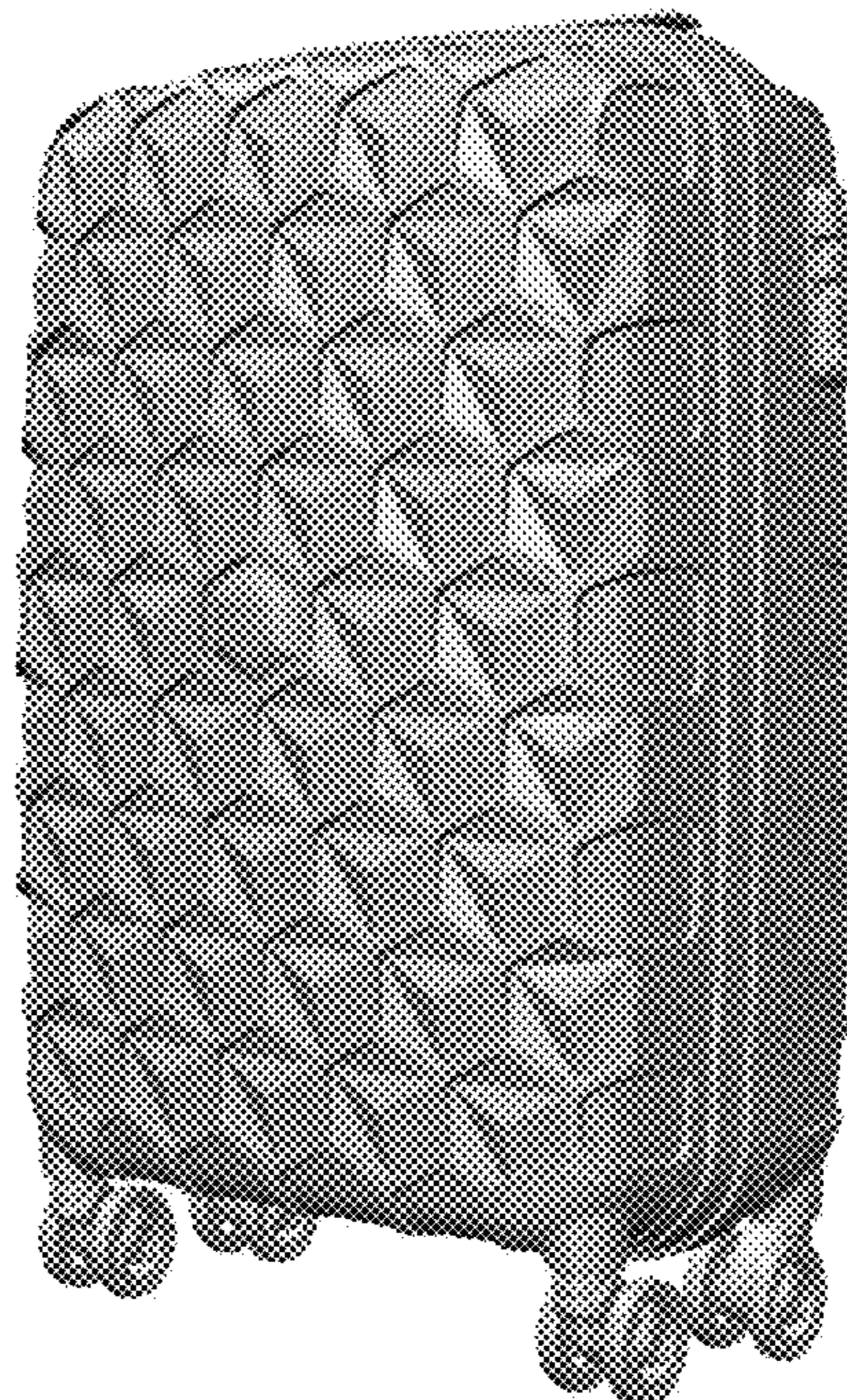
(57) **CLAIM**  
The ornamental design for a suitcase, as shown and described.

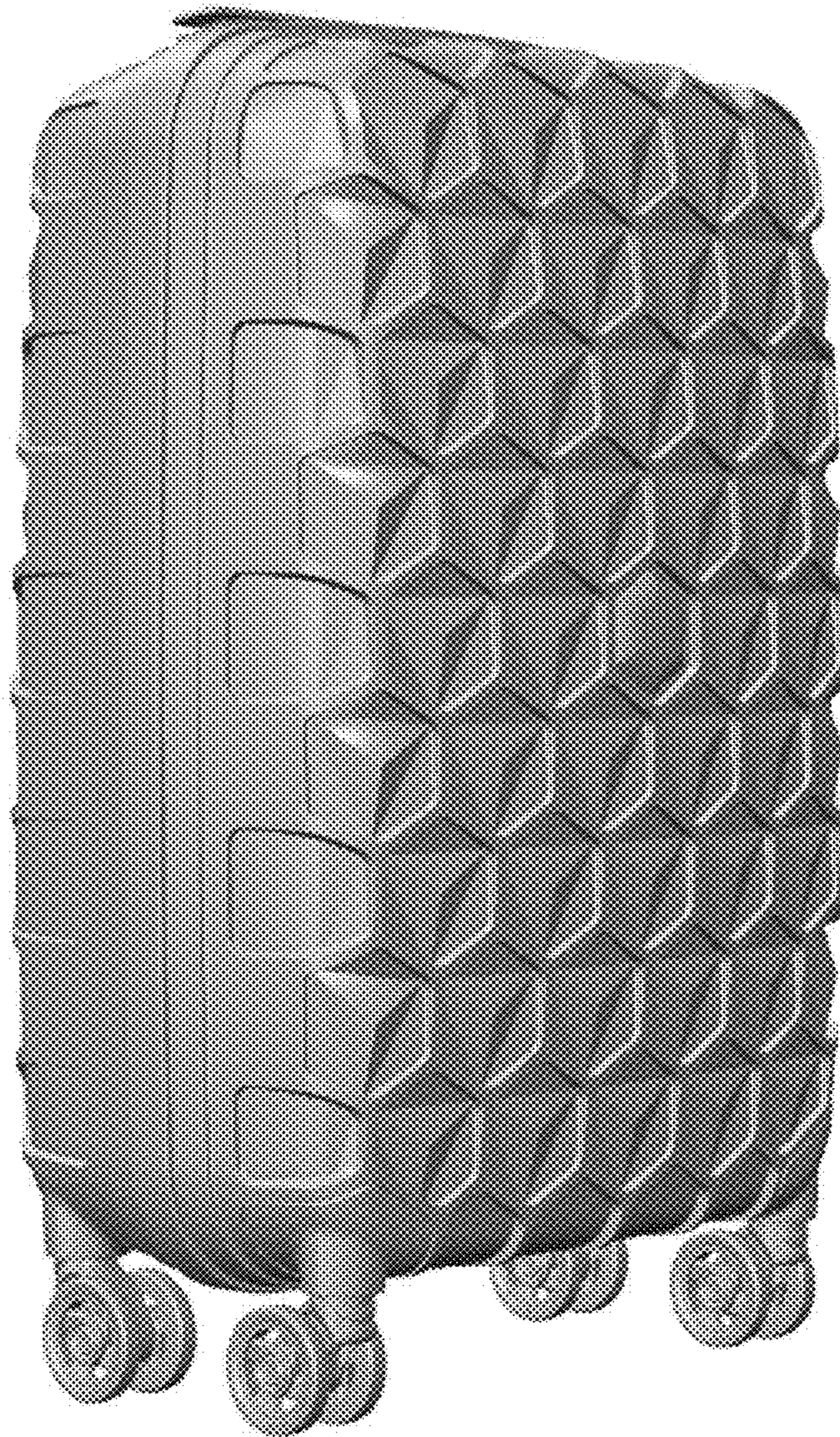
**DESCRIPTION**

FIG. 1 is a front left perspective view of a suitcase showing my new design;  
FIG. 2 is a front right perspective view thereof;  
FIG. 3 is a rear view thereof;  
FIG. 4 is a front view thereof;  
FIG. 5 is a right side view thereof;  
FIG. 6 is a top plan view thereof; and,  
FIG. 7 is a bottom plan view thereof.  
The drawings include shadows and reflections which indicate contour, not surface ornamentation.

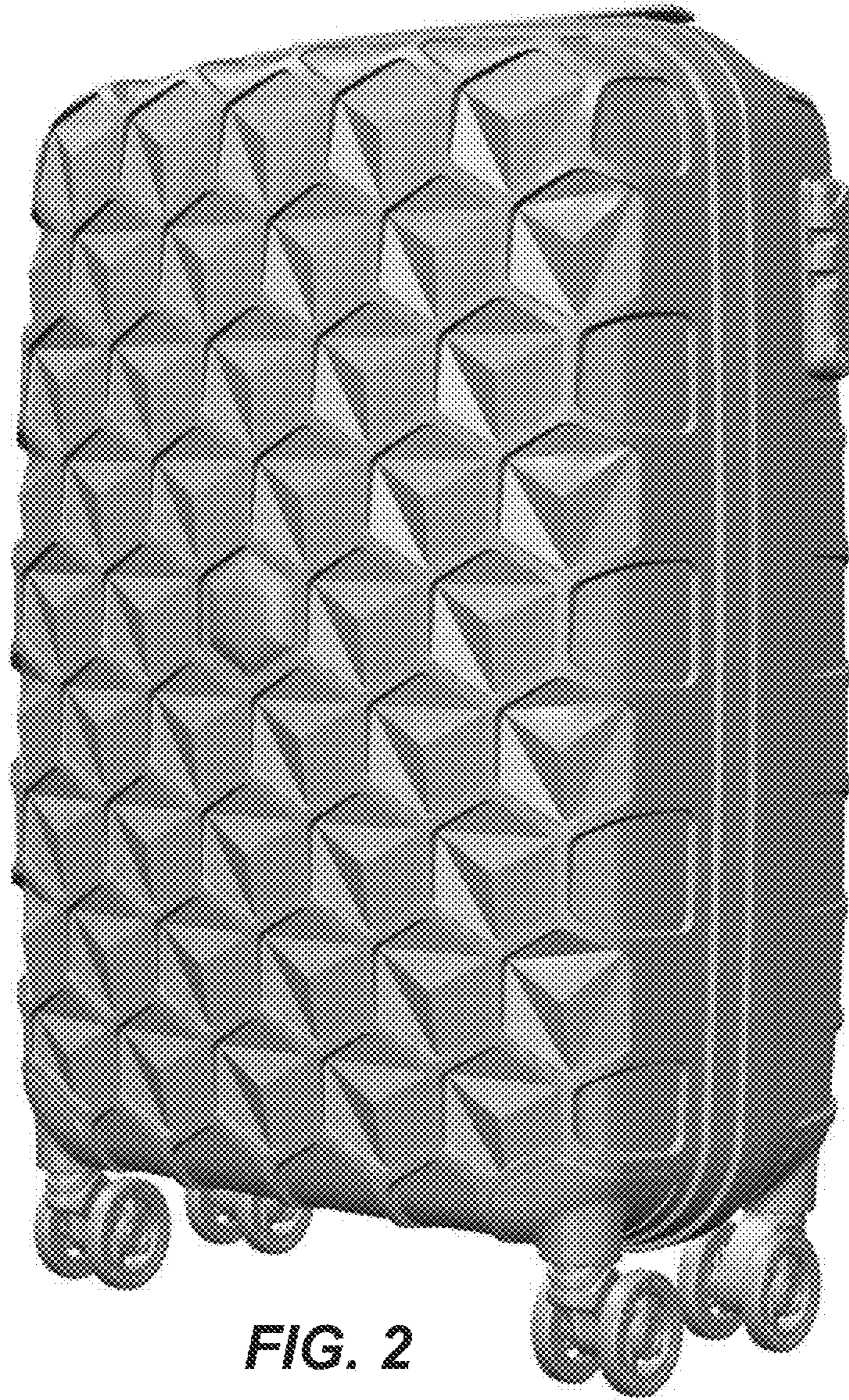
(56) **References Cited**  
**U.S. PATENT DOCUMENTS**  
D581,666 S \* 12/2008 Sijmons ..... D3/279  
D610,349 S \* 2/2010 Ehret ..... D3/279

**1 Claim, 6 Drawing Sheets**

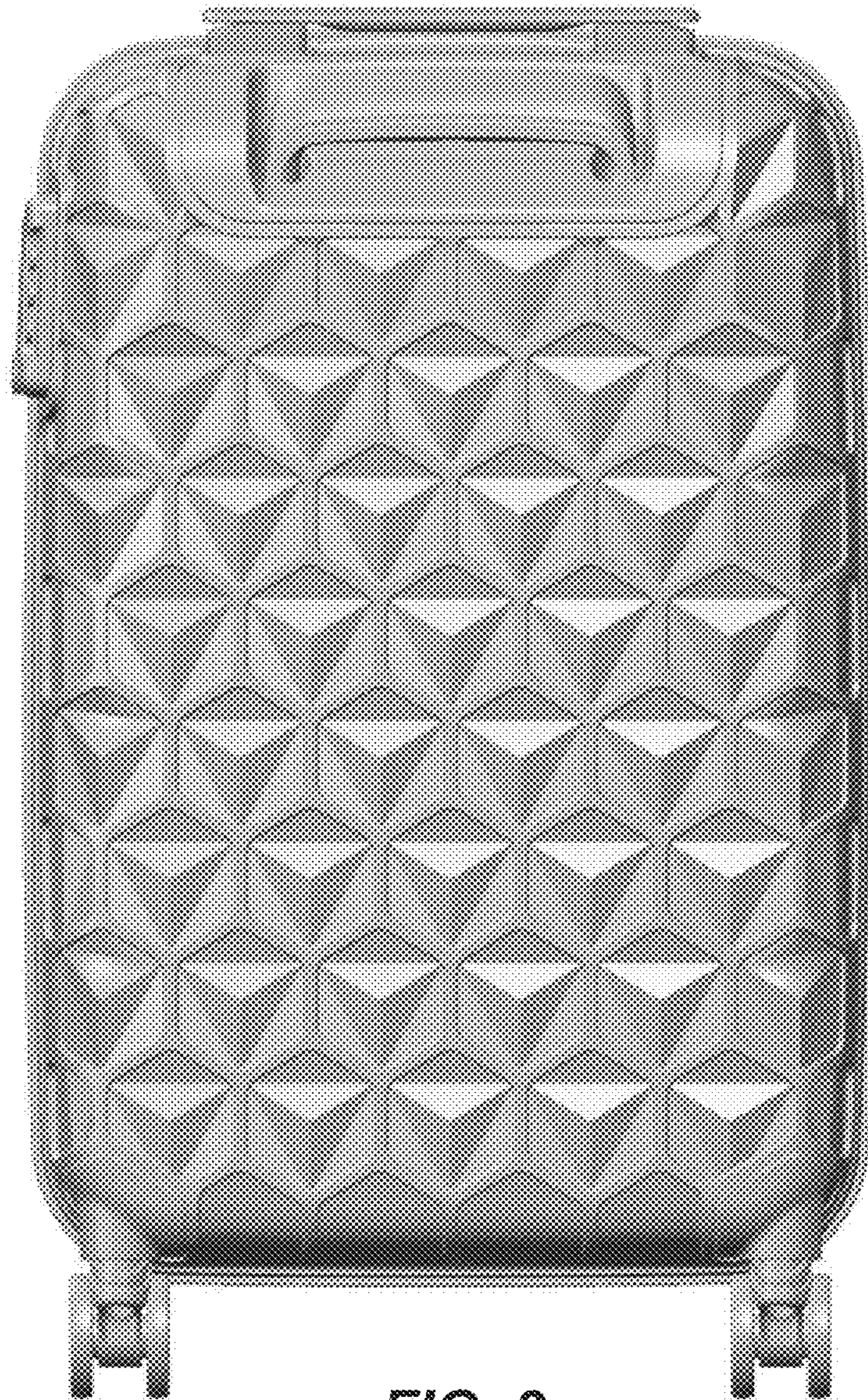




**FIG. 1**



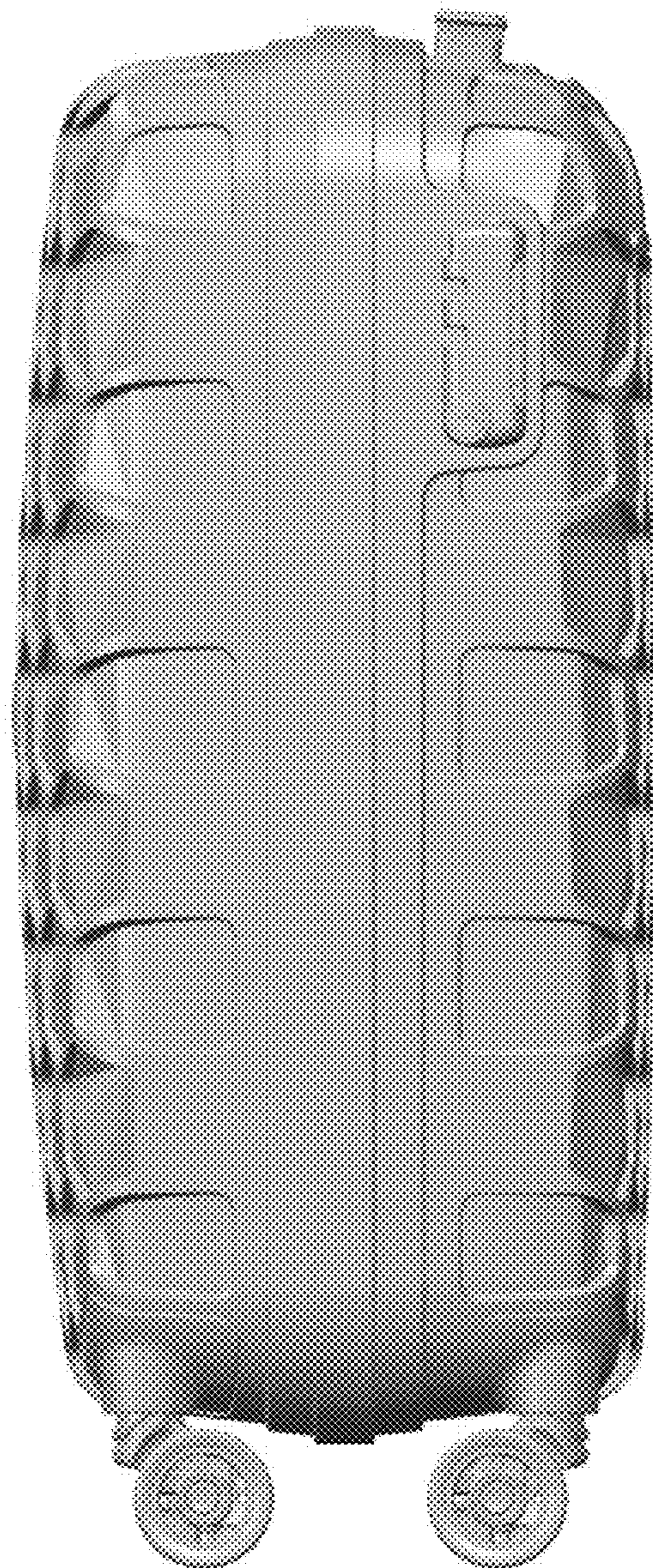
**FIG. 2**



**FIG. 3**



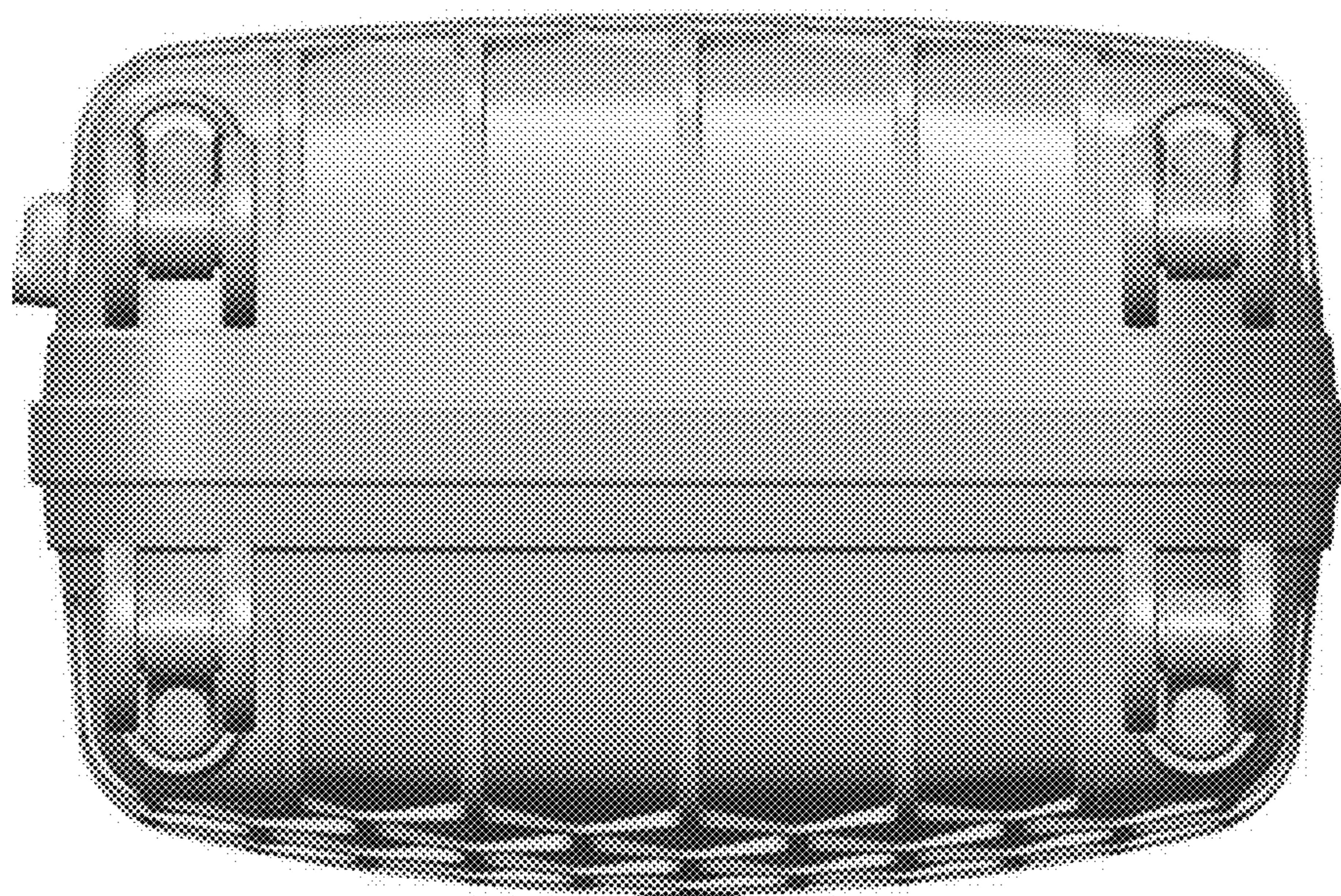
**FIG. 4**



**FIG. 5**



**FIG. 6**



**FIG. 7**