



US00D743694S

(12) **United States Design Patent**
Charles

(10) **Patent No.:** **US D743,694 S**
(45) **Date of Patent:** **** Nov. 24, 2015**

(54) **TORSO ACCESSORY HOLDER**

Primary Examiner — Catheri Oliver-Garcia

(71) Applicant: **Diane Marie Charles**, Los Angeles, CA
(US)

(74) *Attorney, Agent, or Firm* — Vito A. Canuso, III

(72) Inventor: **Diane Marie Charles**, Los Angeles, CA
(US)

(57) **CLAIM**

An ornamental design for a torso accessory holder, as shown and described.

(**) Term: **14 Years**

(21) Appl. No.: **29/497,142**

DESCRIPTION

(22) Filed: **Jul. 21, 2014**

(51) **LOC (10) Cl.** **03-01**

(52) **U.S. Cl.**
USPC **D3/226**

(58) **Field of Classification Search**
USPC D3/226, 215, 224, 228; 224/219, 222,
224/267, 269, 236, 240, 245, 683, 664, 581,
224/587, 602–603, 660, 677, 251, 914, 196
See application file for complete search history.

FIG. 1 is a perspective view of a first embodiment of a torso accessory holder embodying my new design as applied to a person by way of example, in which the first embodiment comprises a single pocket/panel feature.

FIG. 2 is a perspective view of the embodiment of FIG. 1.

FIG. 3 is a top view thereof.

FIG. 4 is a front view thereof.

FIG. 5 is a bottom view thereof.

FIG. 6 is a rear view thereof.

FIG. 7 is a left side view thereof.

FIG. 8 is a right side thereof.

FIG. 9 is a perspective view of the first embodiment showing the torso accessory holder in an open position; and,

FIG. 10 is a front perspective view of a second embodiment of a torso accessory holder embodying my new design, in which the second embodiment design comprises two pocket/panel features, each the same as the pocket/panel feature of the first embodiment.

Broken lines are used to illustrate features of the torso accessory holder that form no part of the claimed design.

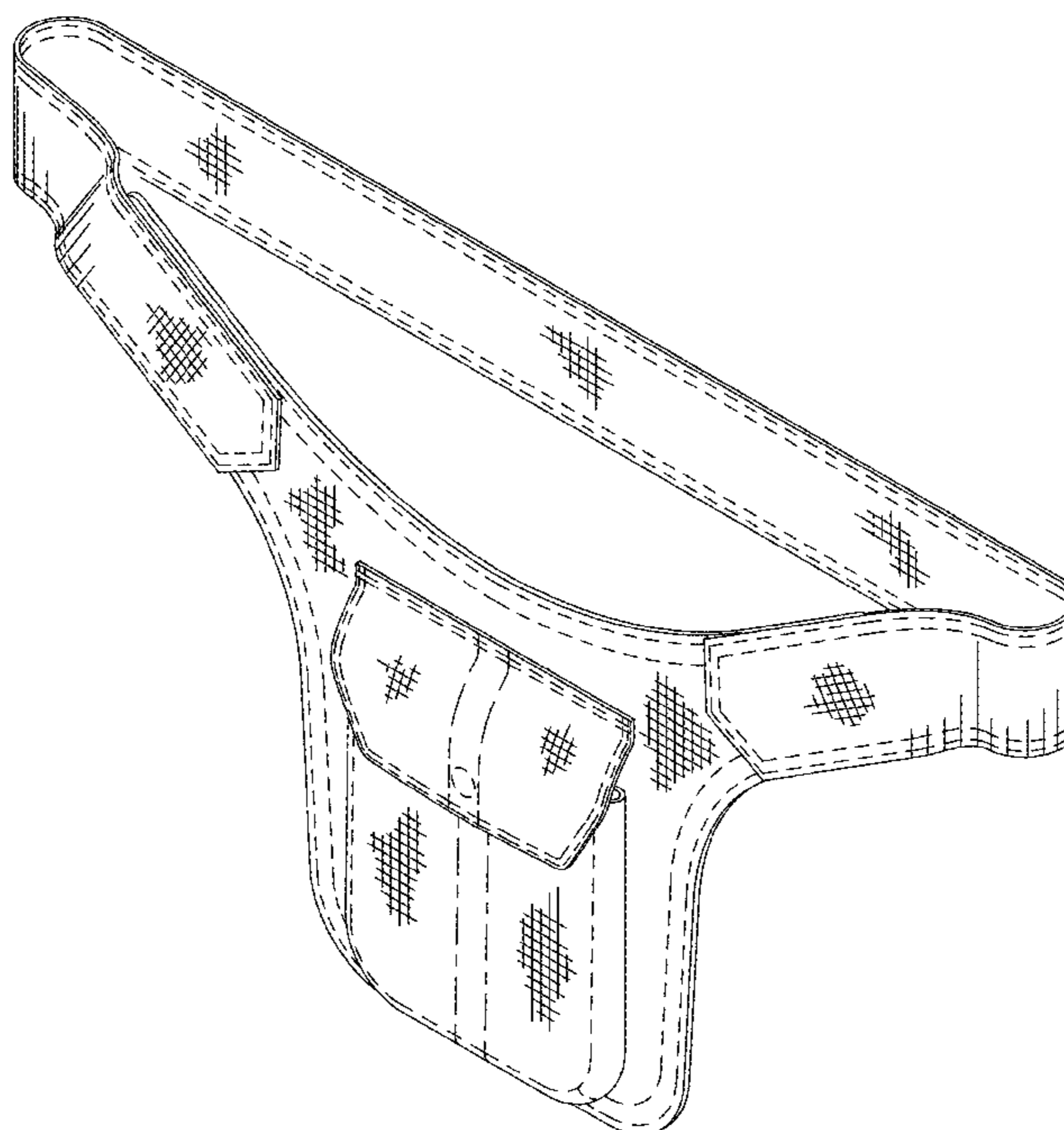
(56) **References Cited**

U.S. PATENT DOCUMENTS

5,374,919	A *	12/1994	Zelka	G08B 15/004 224/196
D374,983	S *	10/1996	Brucki	D3/226
D395,163	S *	6/1998	Huang	D3/226
D395,546	S *	6/1998	Houtan	D3/226
D481,534	S *	11/2003	Andrew	D3/226
D498,048	S *	11/2004	Reichardt	D3/226
D718,928	S *	12/2014	Ruiz	D3/226

* cited by examiner

1 Claim, 5 Drawing Sheets



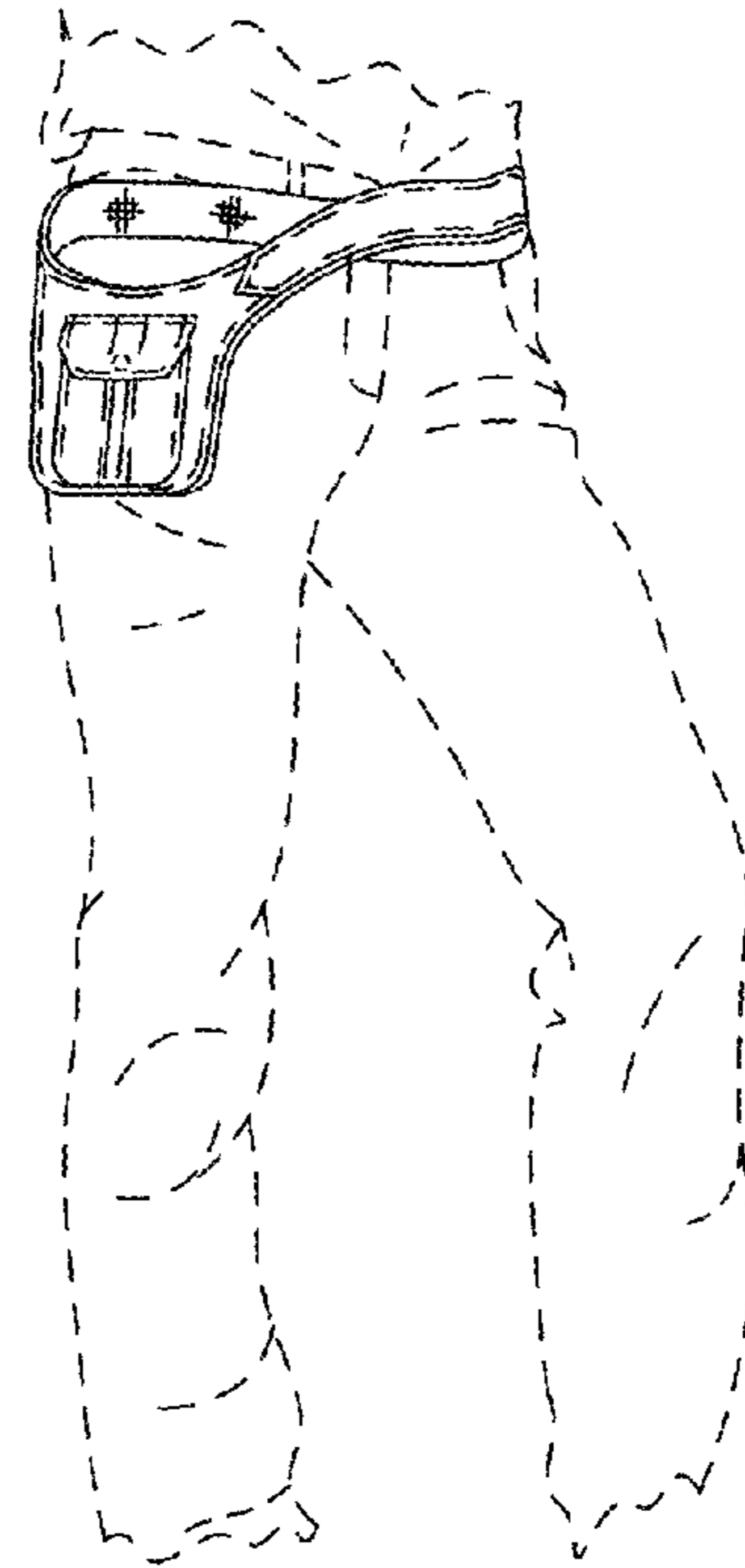


FIG.1

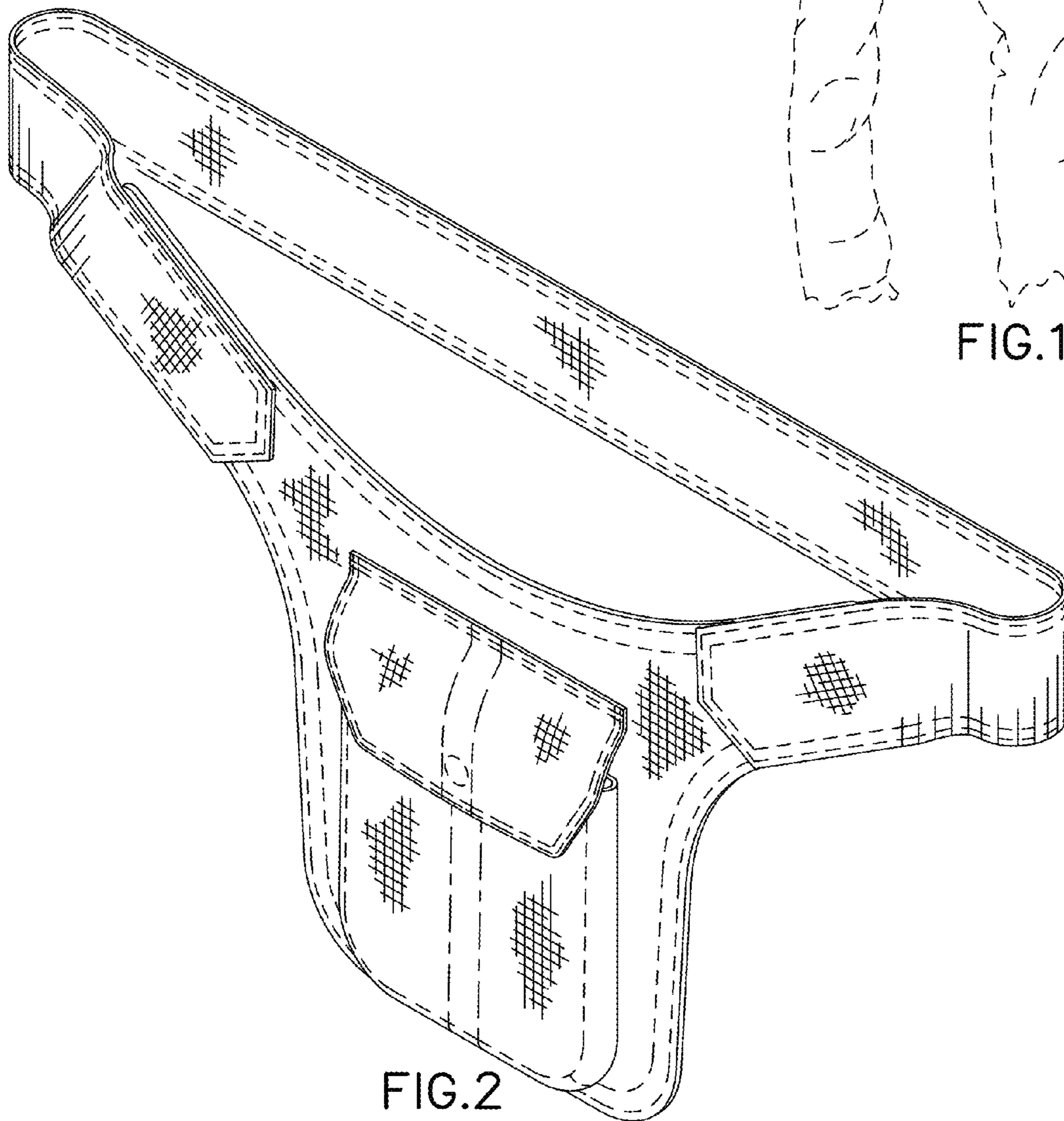


FIG.2

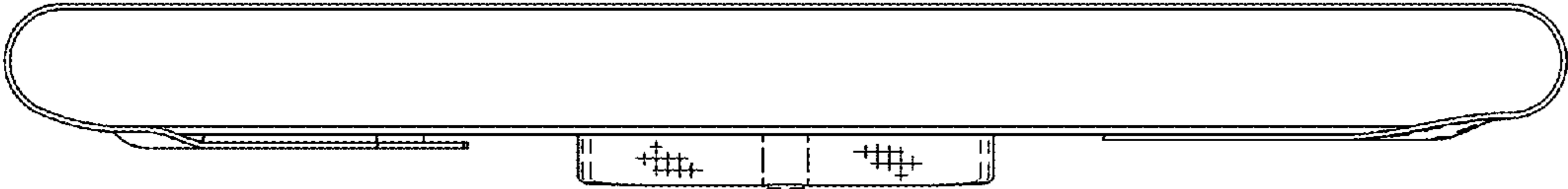


FIG.3

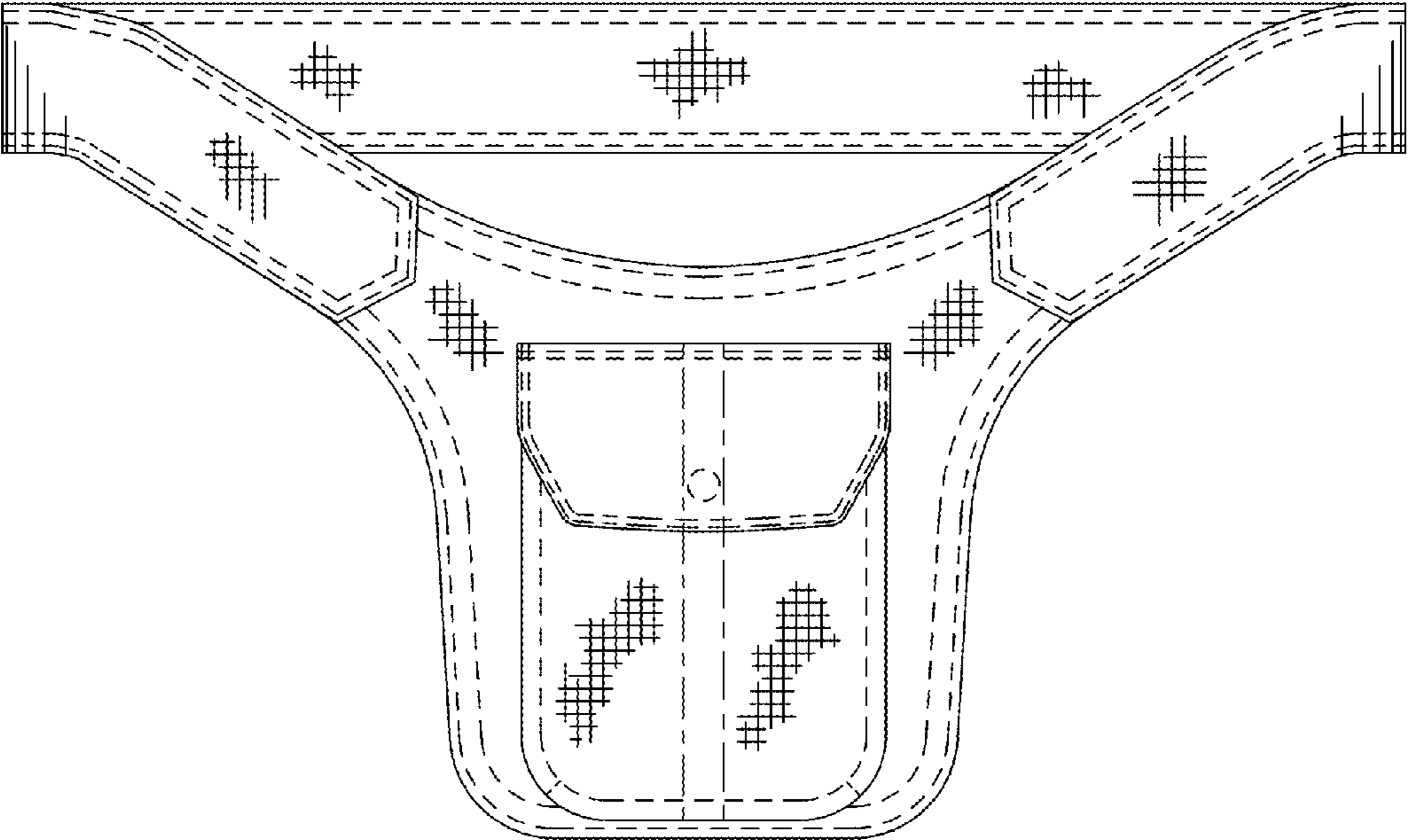


FIG.4

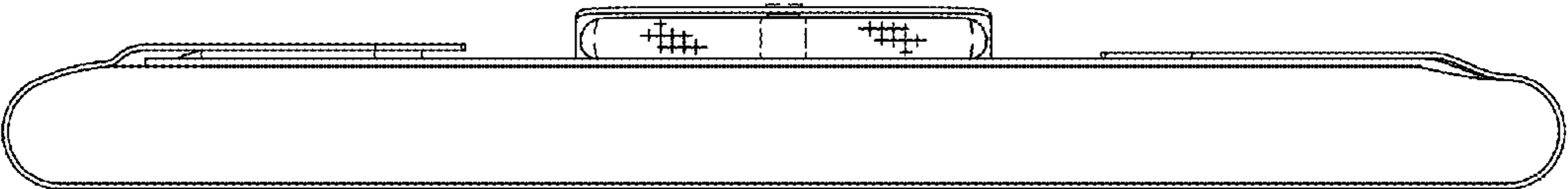


FIG.5

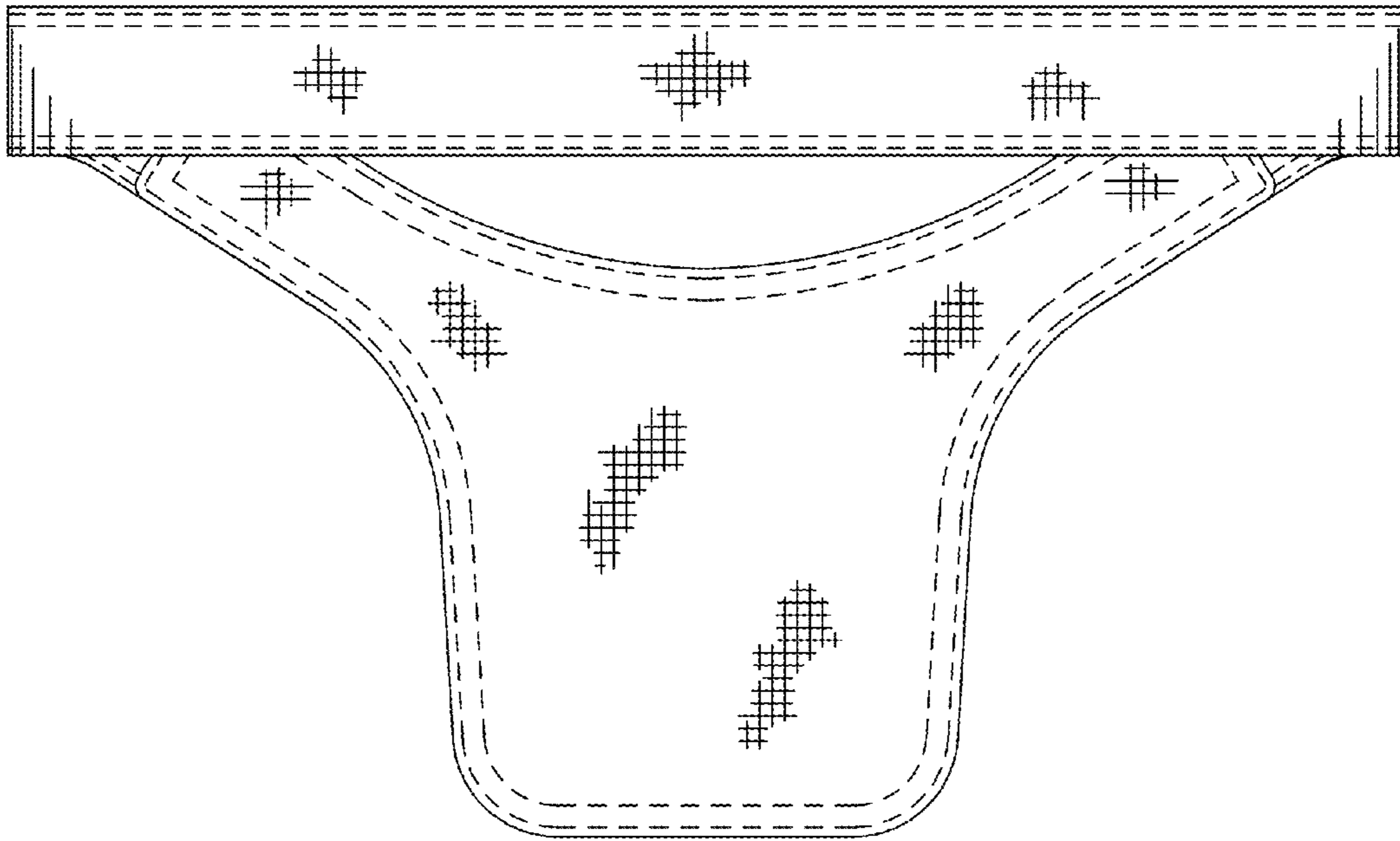


FIG. 6

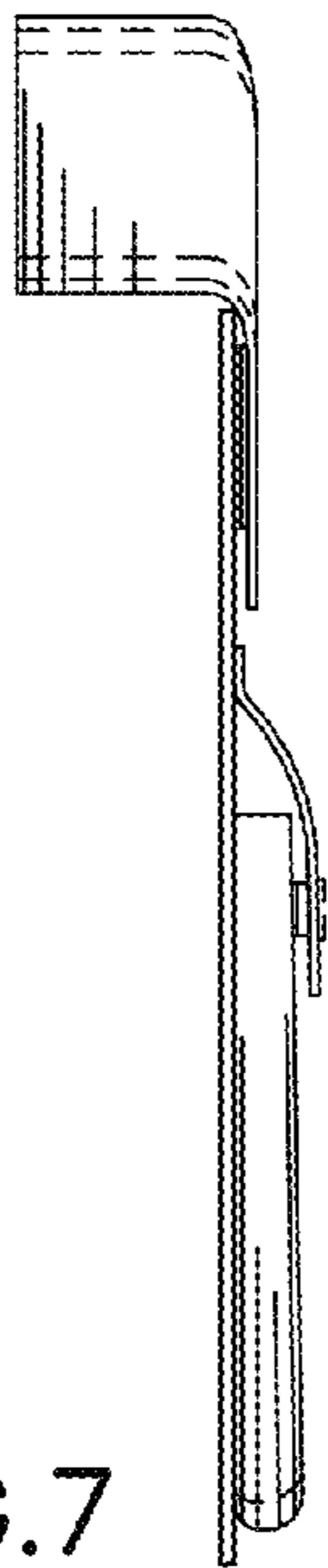


FIG. 7

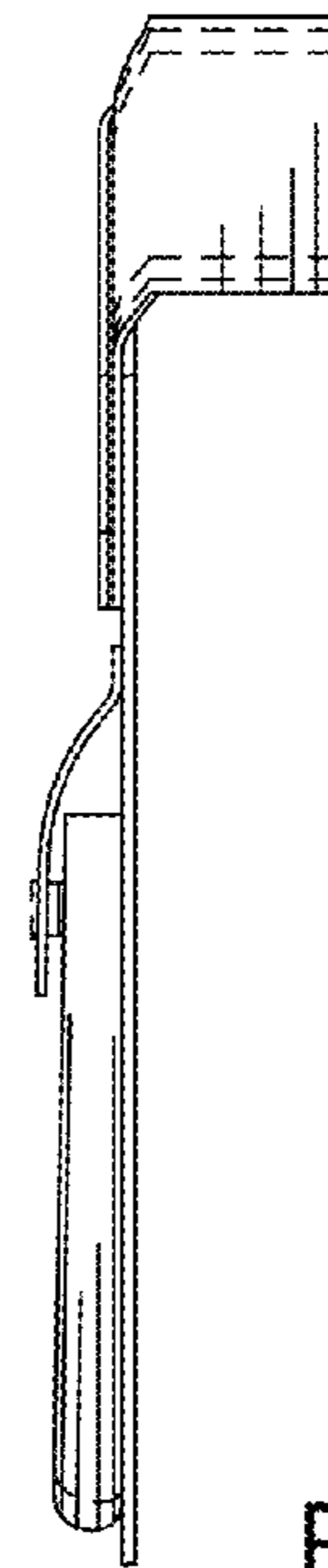
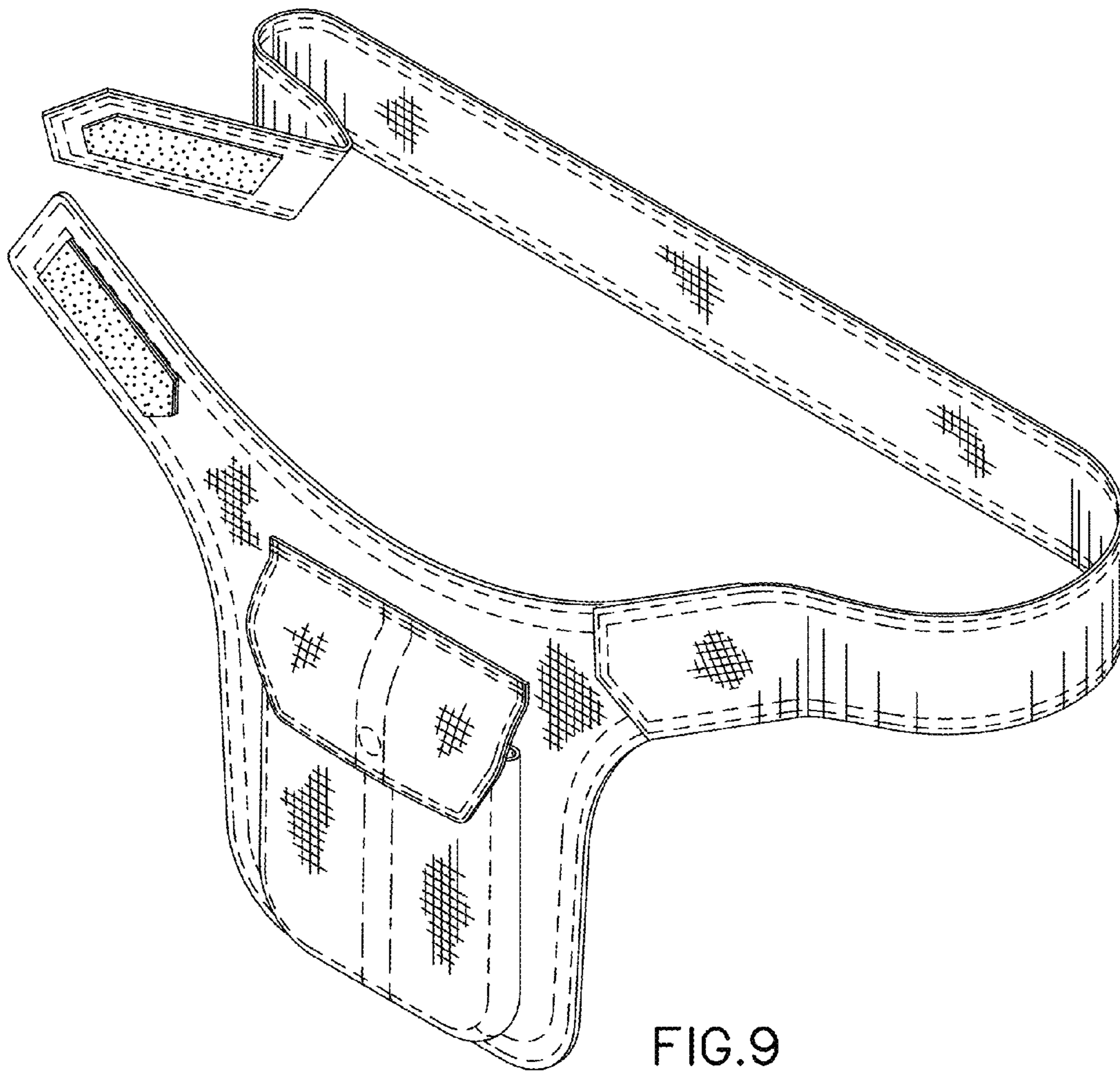


FIG. 8



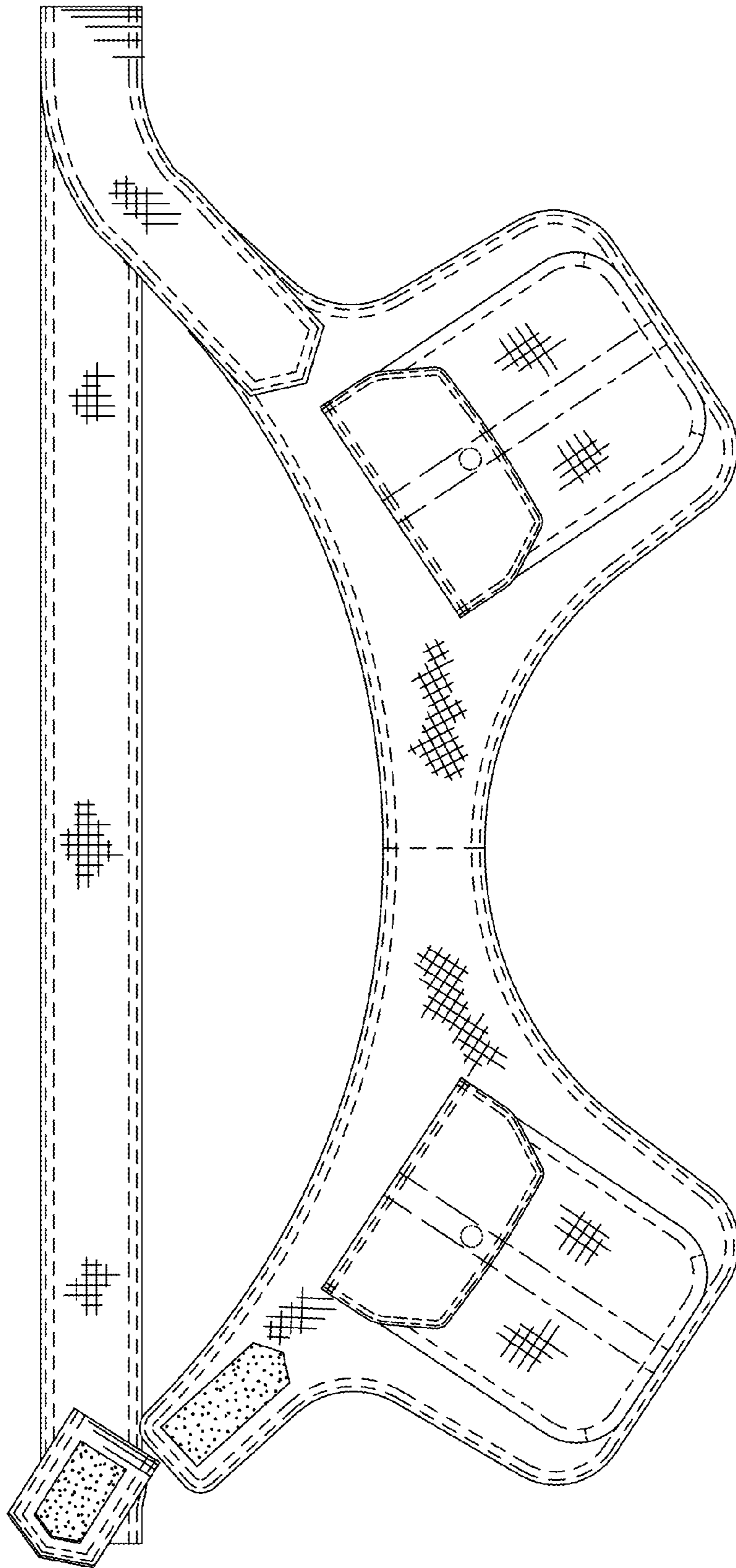


FIG.10