



US00D743691S

(12) **United States Design Patent**
Romano

(10) **Patent No.:** **US D743,691 S**
(45) **Date of Patent:** **** Nov. 24, 2015**

- (54) **LANYARD**
- (71) Applicant: **Sergio Romano**, Sterling, VA (US)
- (72) Inventor: **Sergio Romano**, Sterling, VA (US)
- (**) Term: **15 Years**
- (21) Appl. No.: **29/533,148**
- (22) Filed: **Jul. 14, 2015**
- (51) **LOC (10) Cl.** **03-01**
- (52) **U.S. Cl.**
USPC **D3/215; D3/318; D11/201**
- (58) **Field of Classification Search**
USPC D11/1-2, 200-201, 206-210, 214-218,
D11/86, 87; 24/163 R, 169-171, 173,
24/177-179, 191, 194-195, 197, 200,
24/614-616, 625, 198; D3/327, 215, 318;
D8/383
CPC A44B 11/25
See application file for complete search history.

(56) **References Cited**

U.S. PATENT DOCUMENTS

| | | | | | |
|-----------|------|---------|----------------|-------|------------------------|
| 3,364,500 | A * | 1/1968 | Fox | | A41D 25/022 2/150 |
| D397,286 | S | 8/1998 | Dreyfus et al. | | |
| D418,774 | S | 1/2000 | Kalbach | | |
| D422,142 | S * | 4/2000 | Hicks | | D3/318 |
| D426,063 | S | 6/2000 | Hicks et al. | | |
| 6,161,266 | A * | 12/2000 | Anscher | | A44B 11/266 24/3.6 |
| D437,485 | S * | 2/2001 | Hicks | | D3/318 |
| D467,416 | S | 12/2002 | Kalbach | | |
| 6,539,588 | B1 * | 4/2003 | Brososky | | A44B 11/2592 24/165 |
| 6,711,785 | B1 * | 3/2004 | Hicks | | A44B 11/006 24/3.1 |
| D507,110 | S * | 7/2005 | Hicks | | D3/318 |
| D539,697 | S | 4/2007 | Mackay | | |
| D541,523 | S * | 5/2007 | Zoullas | | D3/215 |

| | | | | | |
|-----------|-----|---------|--------------|-------|---------|
| D621,606 | S * | 8/2010 | Marquardt | | D3/215 |
| D622,956 | S * | 9/2010 | Hoffman | | D3/215 |
| D629,331 | S * | 12/2010 | Kalbach | | D11/215 |
| D634,232 | S | 3/2011 | Kelly et al. | | |
| D638,330 | S * | 5/2011 | Fahrendorff | | D11/200 |
| 8,055,005 | B2 | 11/2011 | Liu et al. | | |
| D667,215 | S * | 9/2012 | DeGrouchy | | D3/208 |
| 8,295,533 | B1 | 10/2012 | Schachtman | | |
| D672,278 | S * | 12/2012 | Kalbach | | D11/201 |
| D672,279 | S * | 12/2012 | Kalbach | | D11/201 |
| D677,188 | S * | 3/2013 | Kalbach | | D11/3 |
| D677,189 | S * | 3/2013 | Kalbach | | D11/3 |
| D679,175 | S * | 4/2013 | Moreau | | D11/87 |
| D679,218 | S | 4/2013 | Kalbach | | |

(Continued)

Primary Examiner — Ralf Seifert

(74) *Attorney, Agent, or Firm* — Mitchell Law PLLC;
Matthew W. Mitchell

(57) **CLAIM**

The ornamental design for a lanyard, as shown and described.

DESCRIPTION

FIG. 1 is a front perspective view of the lanyard of the present invention including an exemplary necklace to illustrate use of the design;

FIG. 2 is a front perspective view of the lanyard of FIG. 1;

FIG. 3 is a back perspective view of the lanyard of FIG. 1;

FIG. 4 is a front view of the lanyard of FIG. 1;

FIG. 5 is a back view of the lanyard of FIG. 1;

FIG. 6 is a side view of the lanyard of FIG. 1, as seen from the left side of FIG. 4;

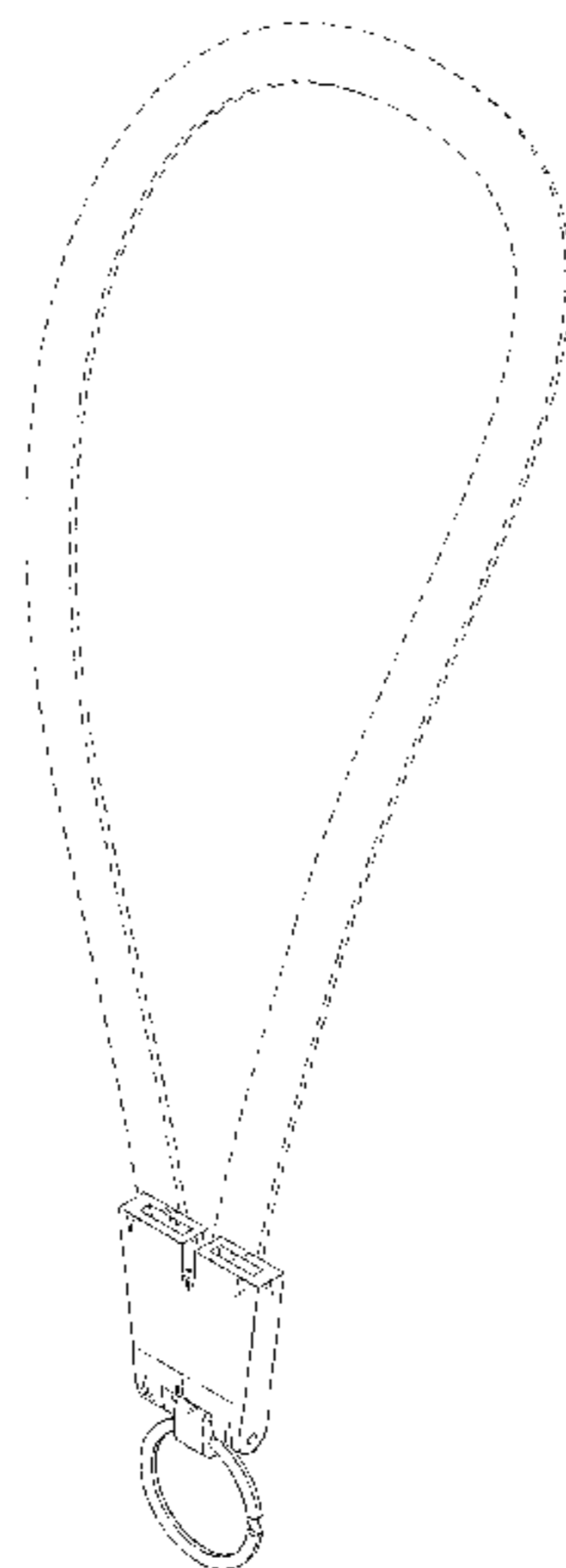
FIG. 7 is a side view of the lanyard of FIG. 1, as seen from the right side of FIG. 4;

FIG. 8 is a side view of the lanyard of FIG. 1, as seen from the top side of FIG. 4; and,

FIG. 9 is a side view of the lanyard of FIG. 1, as seen from the bottom side of FIG. 4.

The broken line showing a necklace is shown for contextual purposes and forms no part of the claimed design.

1 Claim, 4 Drawing Sheets



US D743,691 S

Page 2

(56)

References Cited

U.S. PATENT DOCUMENTS

D711,775 S * 8/2014 Paik D11/218
2011/0226823 A1 9/2011 Jasa

D681,504 S * 5/2013 Kalbach D11/201 * cited by examiner

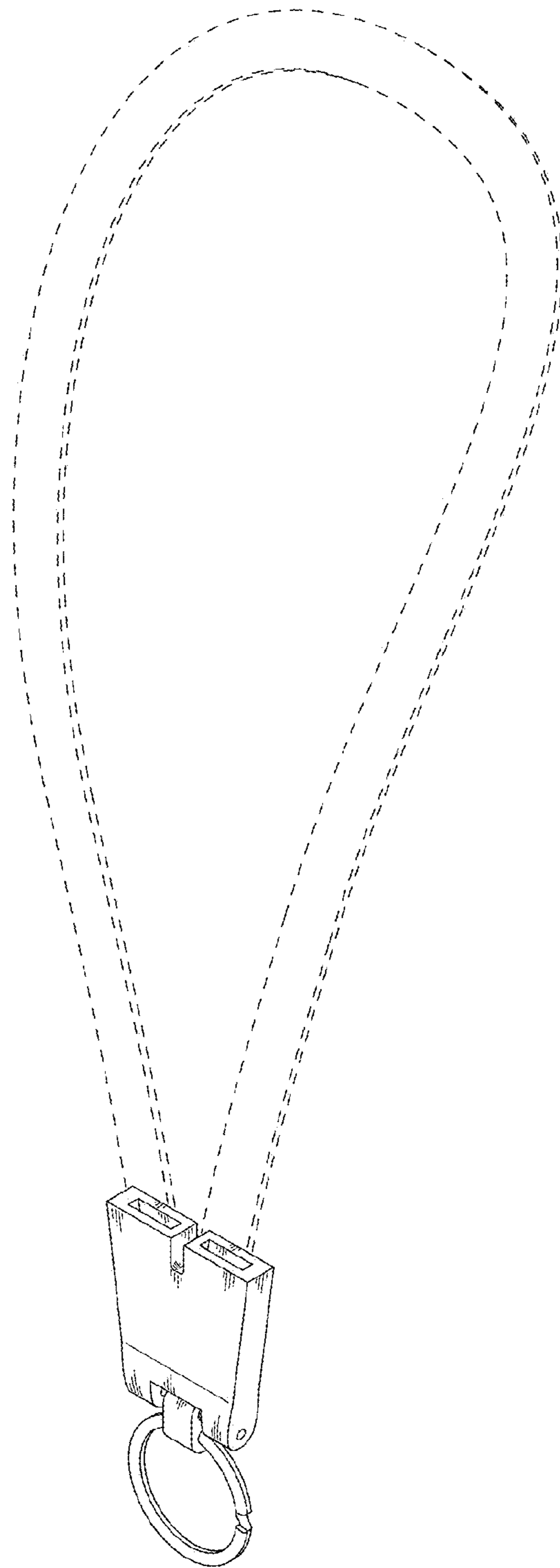


FIG. 1

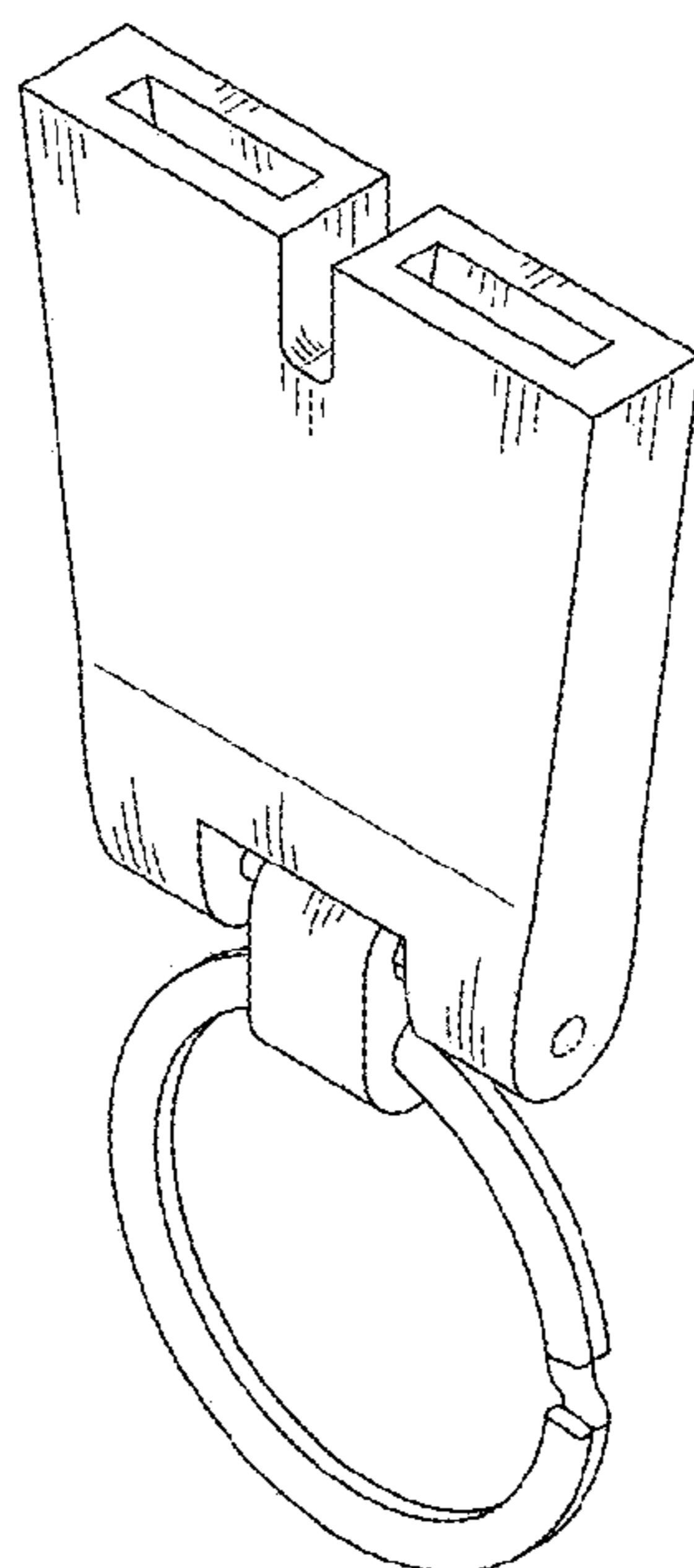


FIG. 2

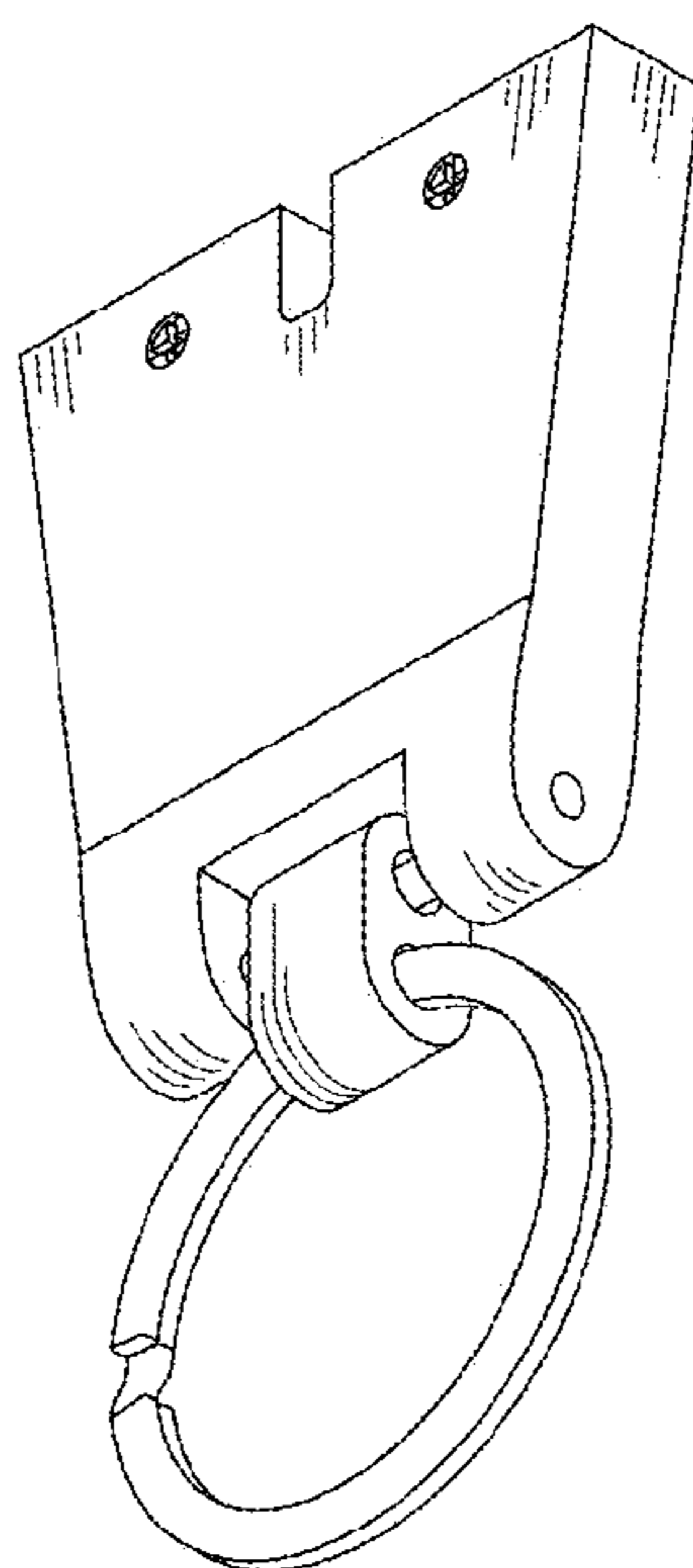


FIG. 3

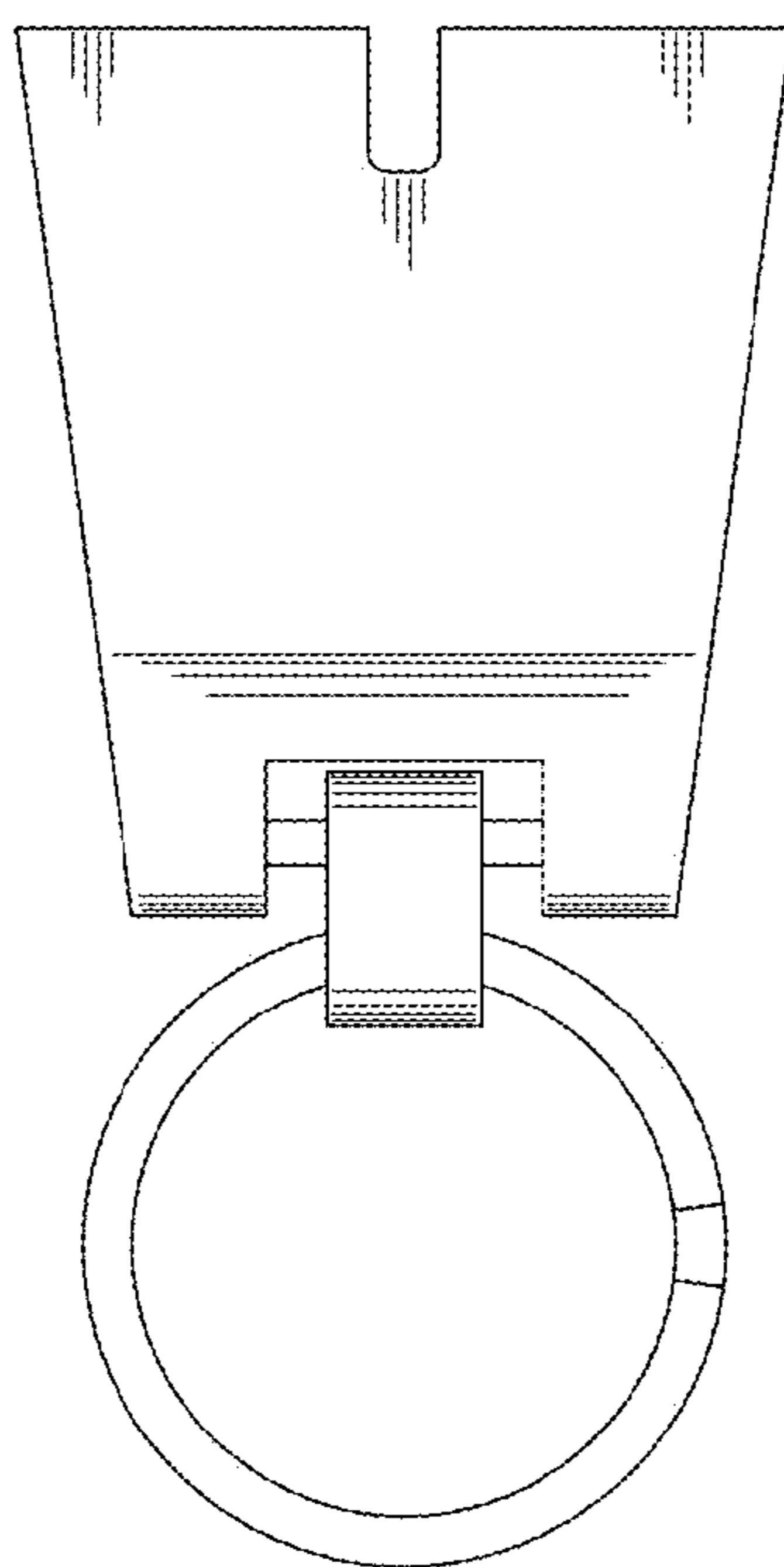


FIG. 4

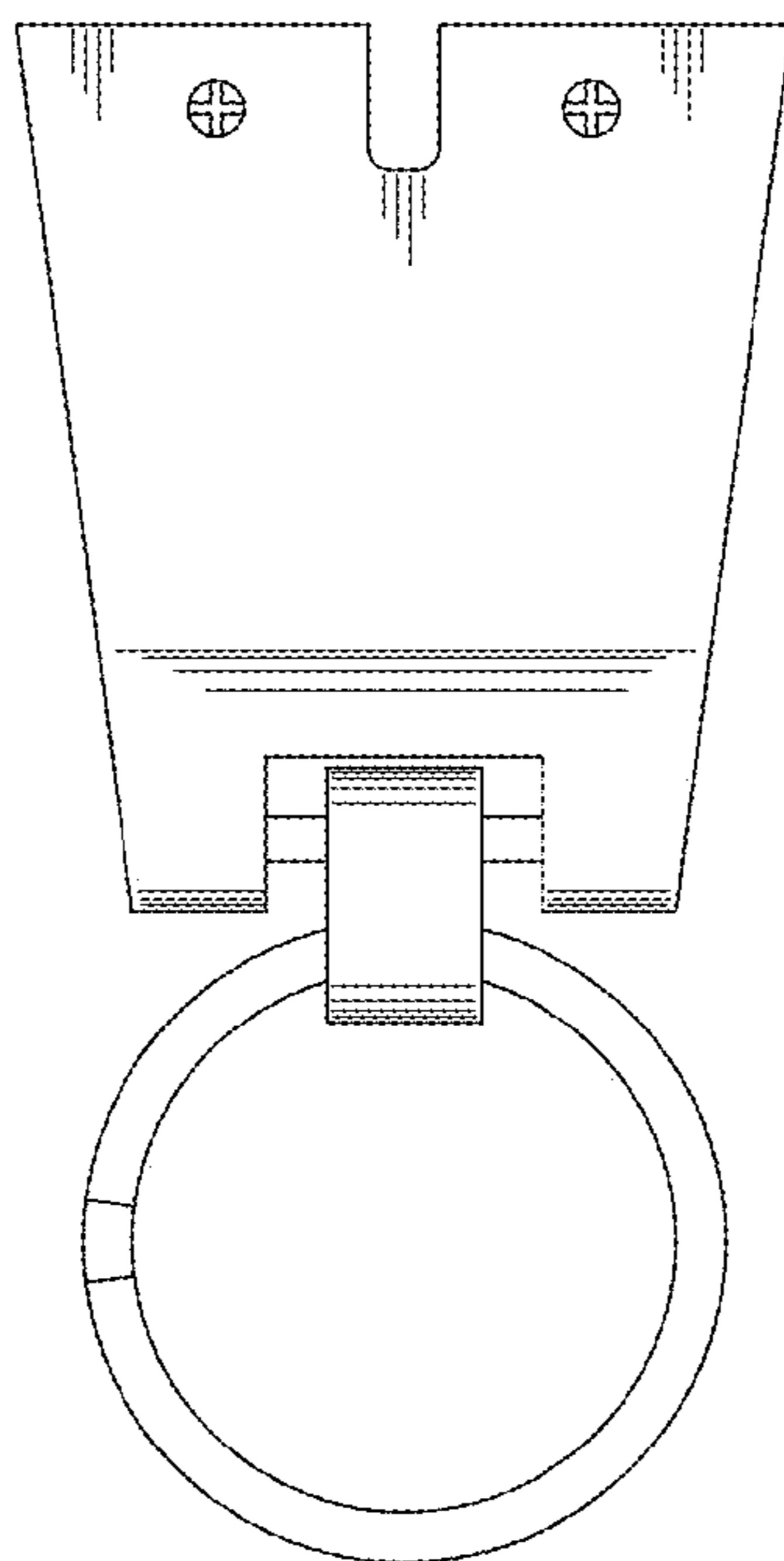


FIG. 5

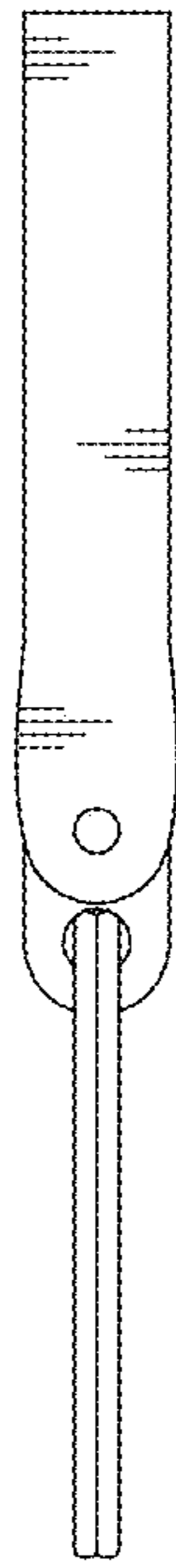


FIG. 6

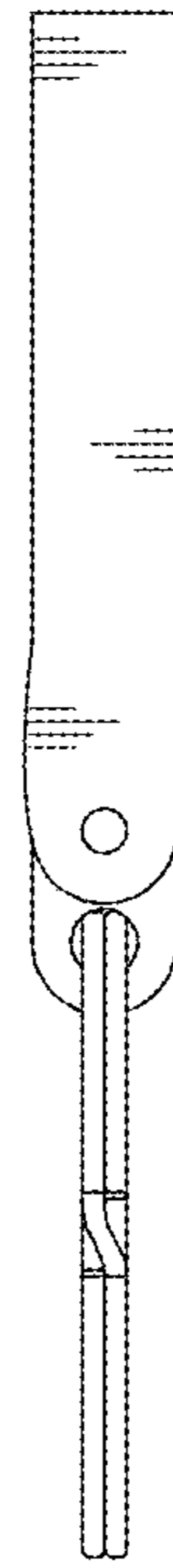


FIG. 7

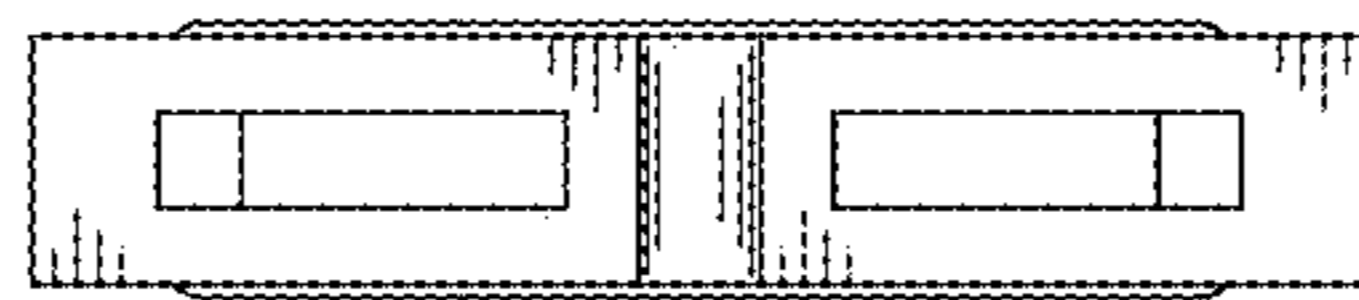


FIG. 8

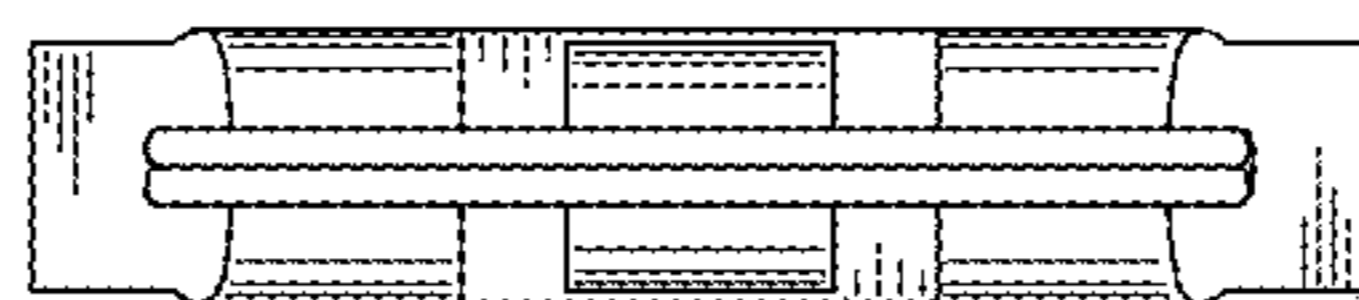


FIG. 9