



US00D743690S

(12) **United States Design Patent**
Kumar et al.

(10) **Patent No.:** **US D743,690 S**

(45) **Date of Patent:** **** Nov. 24, 2015**

(54) **FOLDING GUIDE**

FOREIGN PATENT DOCUMENTS

(71) Applicant: **Flo Collection, Inc.**, Toronto (CA)

CN 201312700 Y 9/2009
CN 301269436 * 9/2009

(72) Inventors: **Clare Shanta Kumar**, Toronto (CA);
Yuriko Zakimi, Mississauga (CA)

(Continued)

(73) Assignee: **Flo Collection, Inc.**, Toronto (CA)

OTHER PUBLICATIONS

(**) Term: **14 Years**

“Tabletop T-Shirt Folder,” item available for sale on-line on TrioDisplay. Wayback Machine crawl back date of Aug. 15, 2007. Retrieved from the internet on Jun. 16, 2015. URL: <https://web.archive.org/web/20070815170611/http://www.triodisplay.com/catalog/tabletop-tshirt-folder-p-12394.html>. (1 page).*

(21) Appl. No.: **29/483,328**

(Continued)

(22) Filed: **Feb. 27, 2014**

Primary Examiner — Karen E Eldridge Powers

Assistant Examiner — Jasmine Mlinarcik

(74) *Attorney, Agent, or Firm* — PatentBest; Andrew McAleavey

Related U.S. Application Data

(63) Continuation of application No. 13/582,796, filed on Sep. 5, 2012, now Pat. No. 8,714,418.

(51) **LOC (10) Cl.** **02-99**

(57) **CLAIM**

The ornamental design for a folding guide, as shown and described.

(52) **U.S. Cl.**

USPC **D2/999**

DESCRIPTION

(58) **Field of Classification Search**

USPC D2/999; D3/273, 299; D20/20; 190/103, 107, 109; 206/284, 296, 297, 206/298; 223/37, 38, 71, 87; 229/87.17

CPC A45C 13/03; A47F 7/22; A47G 25/20; B65D 85/18; B65D 85/182; D06F 89/02

See application file for complete search history.

FIG. 1 is a perspective view of a folding guide illustrating our new design;

FIG. 2 is an elevational view of the front of the folding guide of FIG. 1, the front and back being mirror images of one another;

FIG. 3 is an elevational view of one side of the folding guide of FIG. 1, the two sides being mirror images of one another;

FIG. 4 is an elevational view of one end of the folding guide of FIG. 1, the two ends being mirror images of one another;

FIG. 5 is a plan view of the folding guide of FIG. 1, illustrating its use; and,

FIG. 6 is a perspective view of the folding guide of FIG. 1 in a folded configuration.

In these views, the broken lines are directed to environment and are for illustrative purposes only; the broken lines form no part of the claimed design.

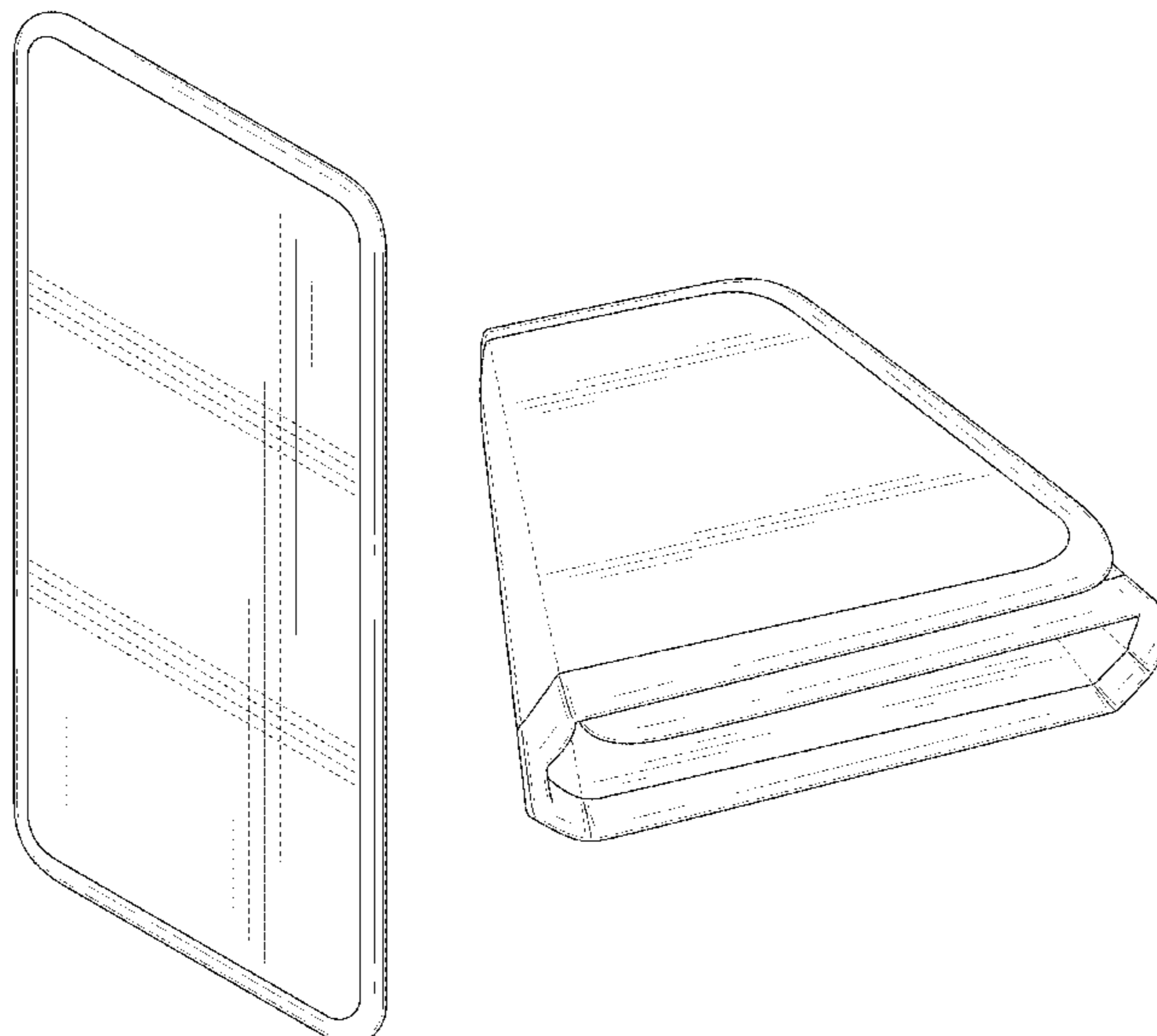
(56) **References Cited**

U.S. PATENT DOCUMENTS

1,716,682 A * 6/1929 Bridges 223/71
1,805,363 A * 5/1931 Hart 206/298
2,717,779 A * 9/1955 Currie 493/439
2,855,097 A * 10/1958 Berry et al. 206/297
D234,472 S * 3/1975 Fosher D20/43

(Continued)

1 Claim, 5 Drawing Sheets



(56)

References Cited

U.S. PATENT DOCUMENTS

4,116,335 A * 9/1978 Leopold 206/296
 4,126,252 A 11/1978 Wasserman
 5,011,052 A 4/1991 Craig
 5,119,307 A 6/1992 Blaha et al.
 5,154,329 A 10/1992 Dorfmueller
 5,947,366 A 9/1999 Feldmann et al.
 6,279,791 B1 8/2001 Betman et al.
 6,360,927 B1 3/2002 Barker
 6,561,392 B2 5/2003 Lapace et al.
 D475,193 S * 6/2003 Fernandez D2/999
 6,814,269 B1 11/2004 Fernandez
 7,065,814 B2 6/2006 Rutkowski
 D544,922 S * 6/2007 Shaffer D20/10
 D621,780 S * 8/2010 Ferber et al. D13/108
 7,992,712 B2 8/2011 Rosland
 8,011,170 B2 9/2011 Smith et al.
 D659,458 S * 5/2012 Lerman D6/585
 8,714,418 B2 * 5/2014 Kumar et al. 223/37
 8,898,920 B2 * 12/2014 Ward et al. 33/566
 9,022,259 B2 * 5/2015 Breier 223/38
 2008/0264983 A1 * 10/2008 Kastan 223/38

FOREIGN PATENT DOCUMENTS

GB 2328920 A 3/1999
 GB 4019097 * 3/2011
 JP 10203575 A 8/1998
 WO 0248008 A1 6/2002

OTHER PUBLICATIONS

“2011 International Home & Housewares Show Interview with Clare Kumar of Pliio,” video posted on-line to Youtube on Mar. 16, 2011. Retrieved from the internet on Jun. 16, 2015. URL: <https://www.youtube.com/watch?v=sLNz-finG0Y>. (1 page).
 Registered Trademark #4479548, (registered Feb. 11, 2014); application #85413905 for “Pliio,” filed Sep. 2, 2011 by Flo Collection Inc. First Use in Commerce Date: Mar. 22, 2012. Retrieved on Jun. 16, 2015.*
 International Search Report for PCT/CA2011/000246, dated Jul. 15, 2011.
 How Dini. “How to Organize your Dresser Drawers and Fold Clothes.” Internet. Available at <http://www.youtube.com/watch?v=nJAYRXjZoMY>. Uploaded Mar. 6, 2009. Last visited Sep. 6, 2012.

* cited by examiner

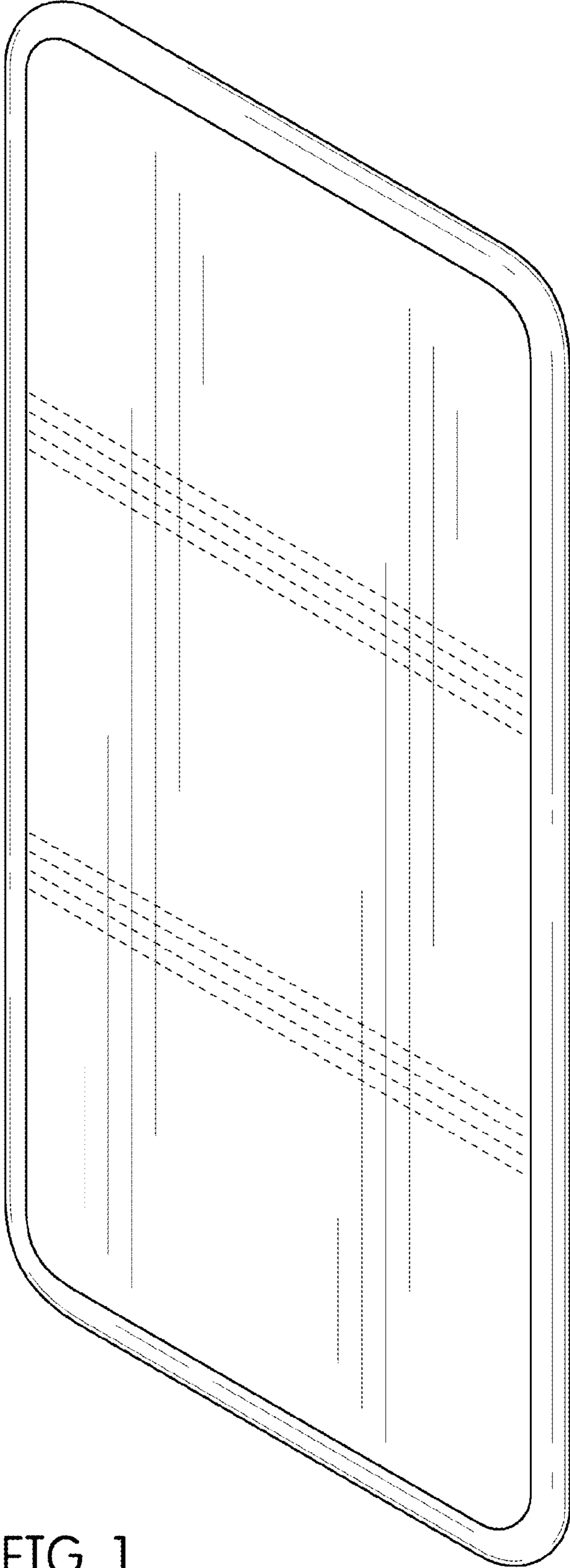


FIG. 1

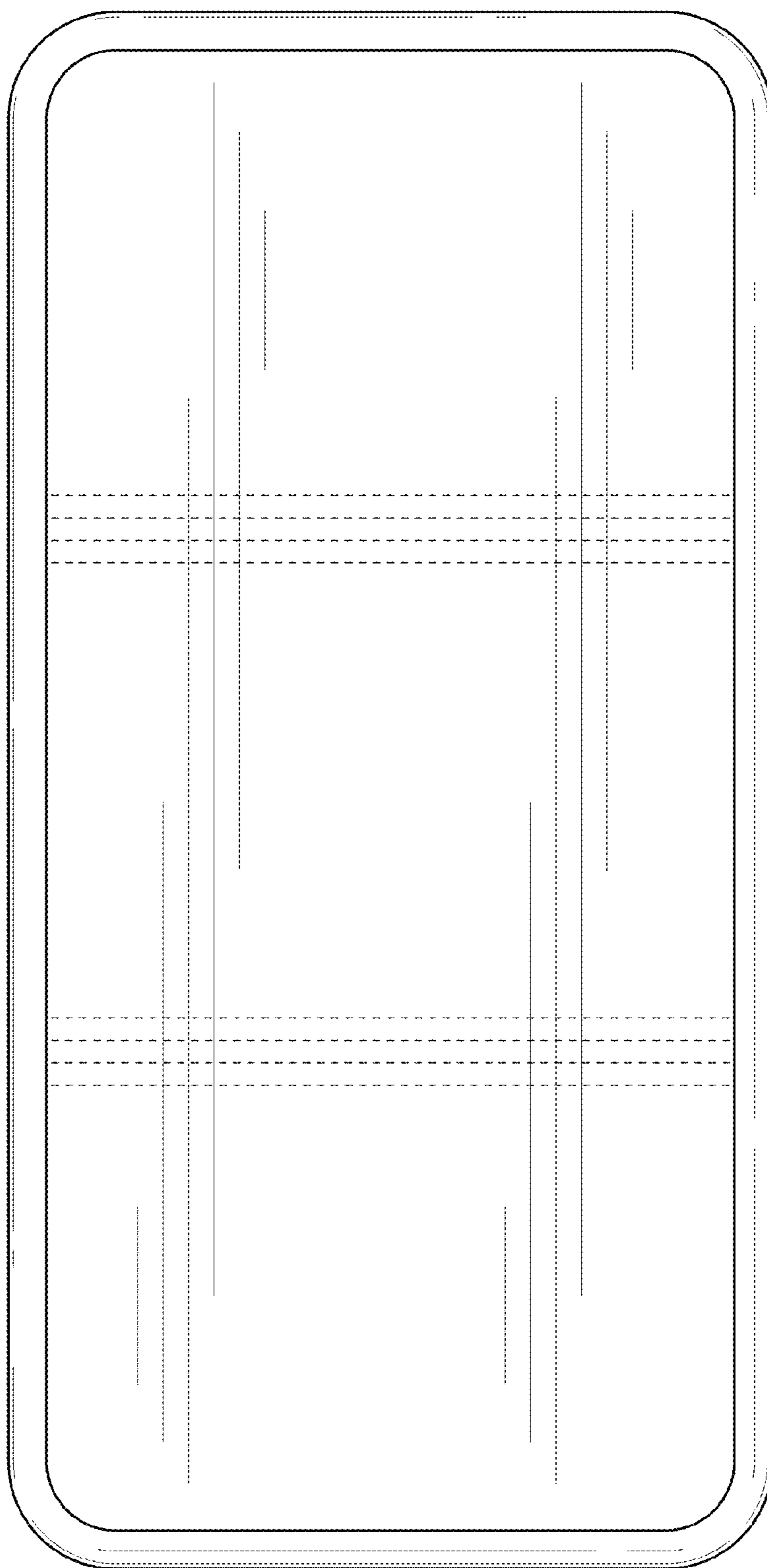


FIG. 2

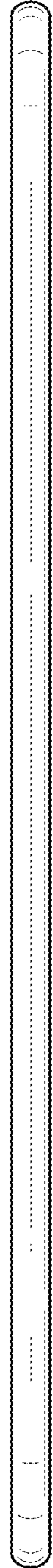


FIG. 3

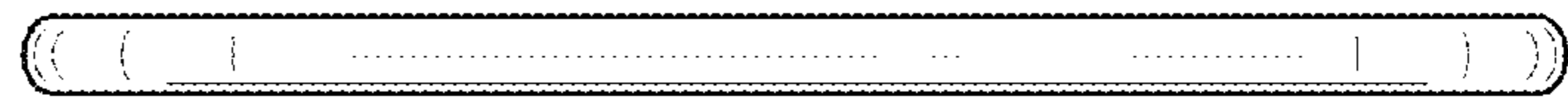


FIG. 4

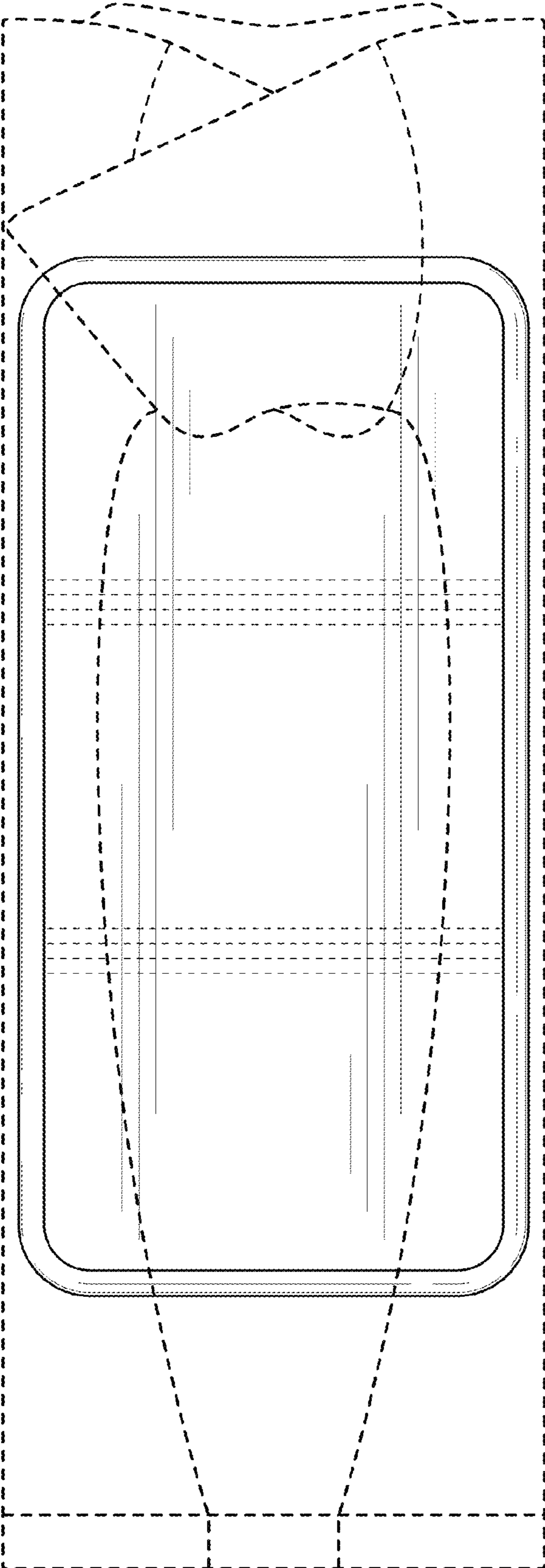


FIG. 5

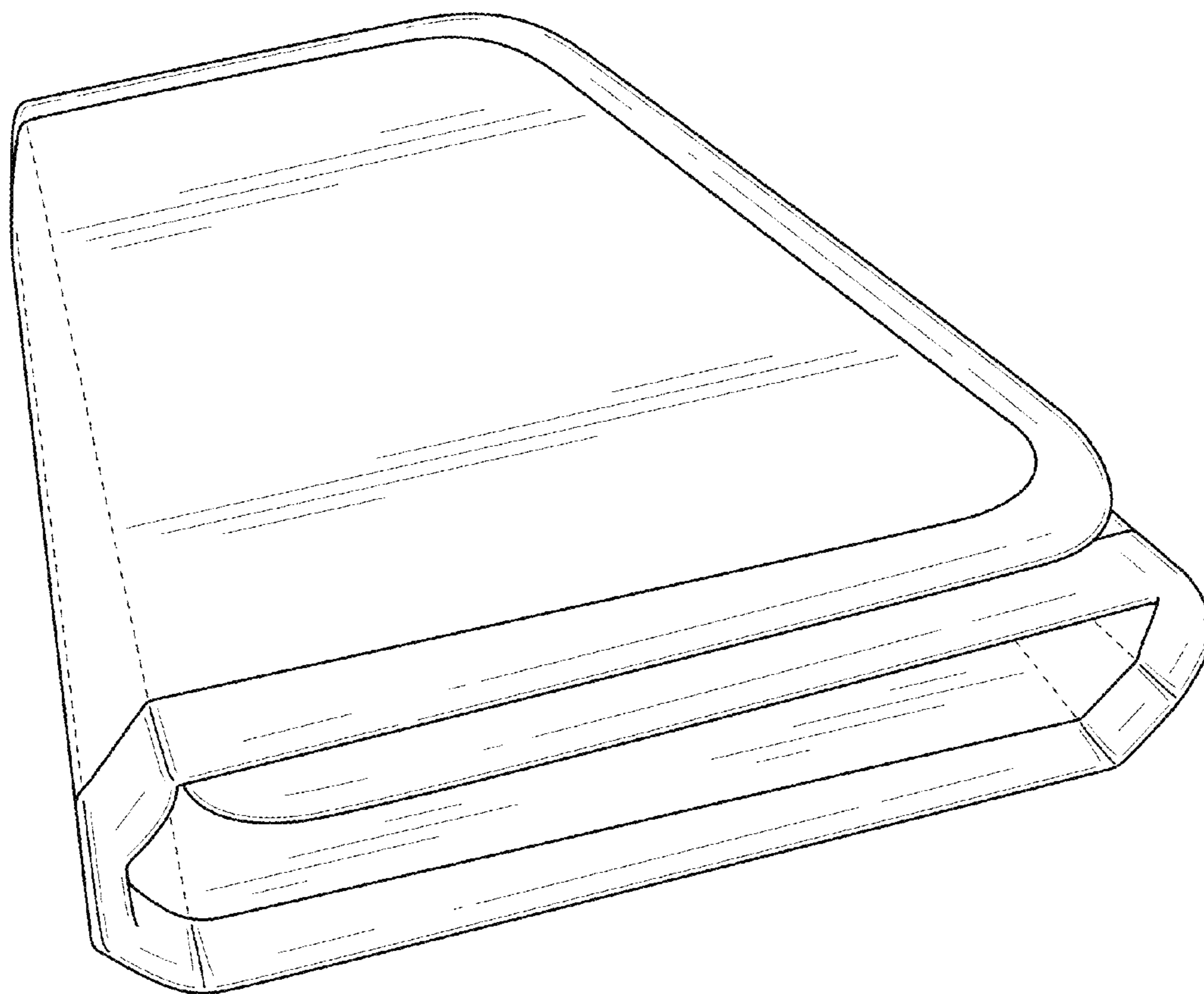


FIG. 6