



US00D743687S

(12) **United States Design Patent**
Nishioka et al.

(10) **Patent No.:** **US D743,687 S**

(45) **Date of Patent:** **** Nov. 24, 2015**

(54) **SOCK**

(71) Applicant: **WACOAL CORP.**, Kyoto-shi, Kyoto (JP)

(72) Inventors: **Sakiko Nishioka**, Kyoto (JP); **Nozomu Seike**, Kyoto (JP)

(73) Assignee: **Wacoal Corp.**, Kyoto (JP)

(**) Term: **14 Years**

(21) Appl. No.: **29/486,814**

(22) Filed: **Apr. 2, 2014**

(51) **LOC (10) Cl.** **02-04**

(52) **U.S. Cl.**
USPC **D2/980**

(58) **Field of Classification Search**

USPC D2/980-994; D24/192; 2/239-242
CPC D04B 1/26; D04B 1/265; D04B 1/02;
D04B 1/108; D04B 1/12; D04B 1/18; D04B
9/56; D04B 15/48; D04B 15/50; D04B 21/18;
D04B 9/52; A61F 13/08; A61F 13/064;
A61F 13/066; A61F 13/067; A41B 11/003;
A41B 11/02; A41B 11/00

See application file for complete search history.

(56) **References Cited**

U.S. PATENT DOCUMENTS

4,149,274 A * 4/1979 Garrou et al. 2/239
D484,302 S * 12/2003 Dickson D2/994
D581,057 S * 11/2008 Lin et al. D24/192

8,505,120 B2 * 8/2013 Lambertz 2/239
D726,404 S * 4/2015 Hoane et al. D2/994
2006/0195971 A1 * 9/2006 Lambertz 2/239
2007/0033710 A1 * 2/2007 Lambertz 2/239
2009/0018482 A1 * 1/2009 Lambertz 602/65
2009/0044313 A1 * 2/2009 Anastsopoulos et al. 2/241

* cited by examiner

Primary Examiner — George D Kirschbaum

Assistant Examiner — Jennifer Watkins

(74) *Attorney, Agent, or Firm* — Leydig, Voit & Mayer

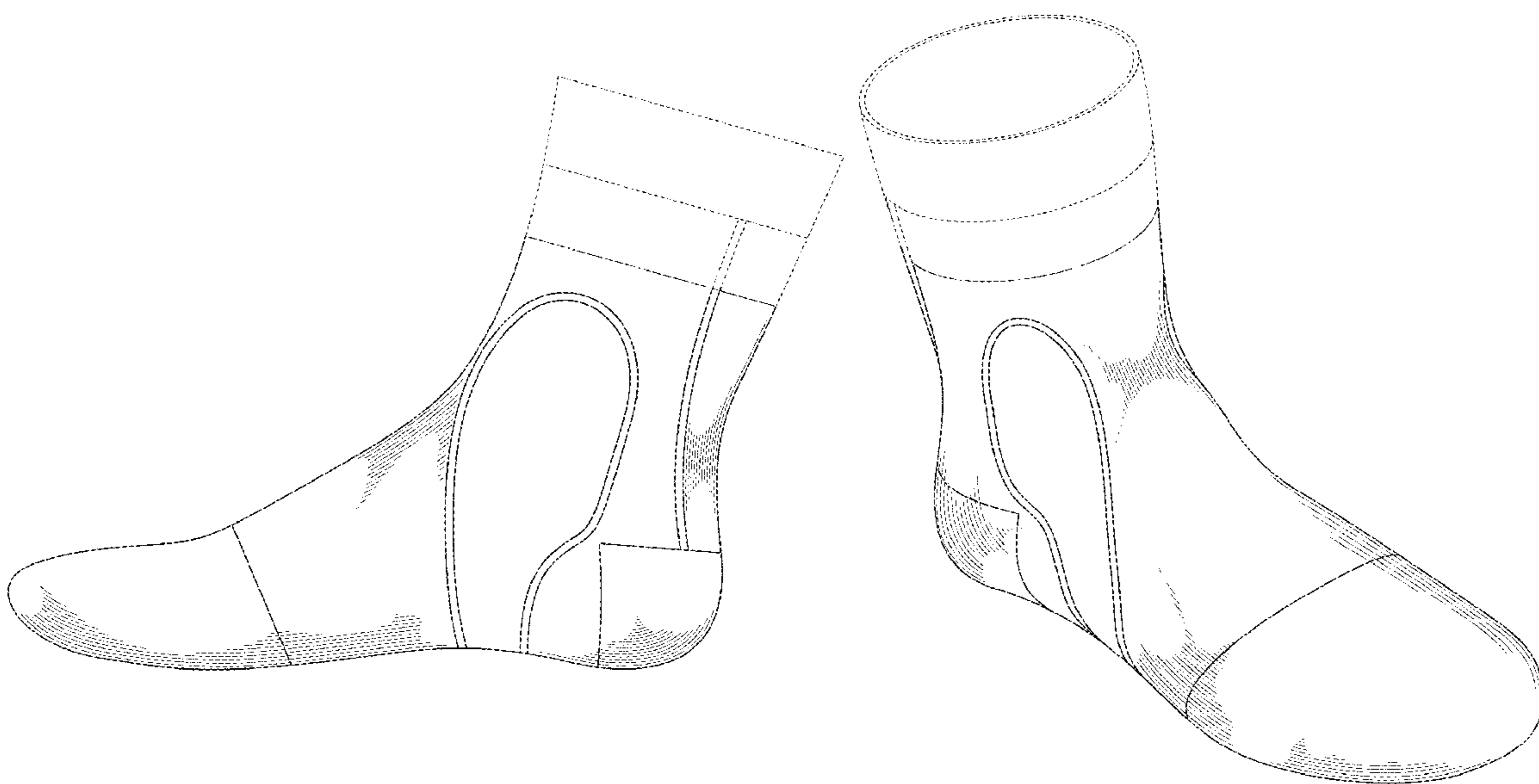
(57) **CLAIM**

The ornamental design for a sock, as shown and described.

DESCRIPTION

FIG. 1 is a front view of a sock of the present invention.
FIG. 2 is a rear view of the sock of FIG. 1.
FIG. 3 is a top plan view of the sock of FIG. 1.
FIG. 4 is a bottom view of the sock of FIG. 1.
FIG. 5 is a right side view of the sock of FIG. 1.
FIG. 6 is a left side view of the sock of FIG. 1.
FIG. 7 is a top perspective view of the sock of FIG. 1.
FIG. 8 is a bottom perspective view of the sock of FIG. 1.
FIG. 9 is a top plan view showing the sock of FIG. 1 laid flat.
FIG. 10 is a bottom view showing the sock of FIG. 1 laid flat;
and,
FIG. 11 is a front view showing the sock of FIG. 1 laid flat.
The features shown in dotted lines depict environmental subject matter only and form no part of the claimed design.
The broken lines having alternating long and short segments define bounds of the claimed design and form no part thereof.

1 Claim, 11 Drawing Sheets



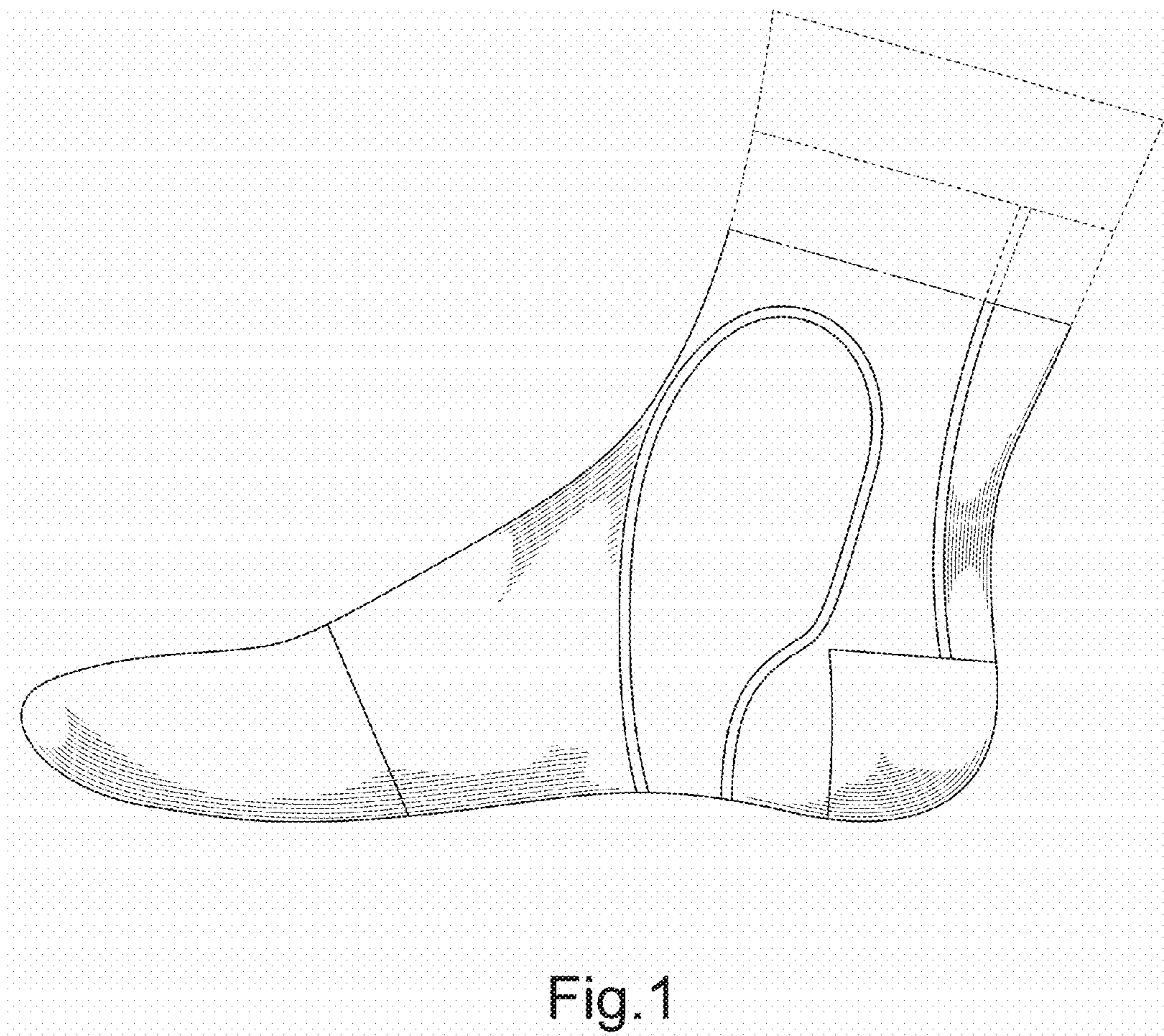


Fig. 1



Fig.2

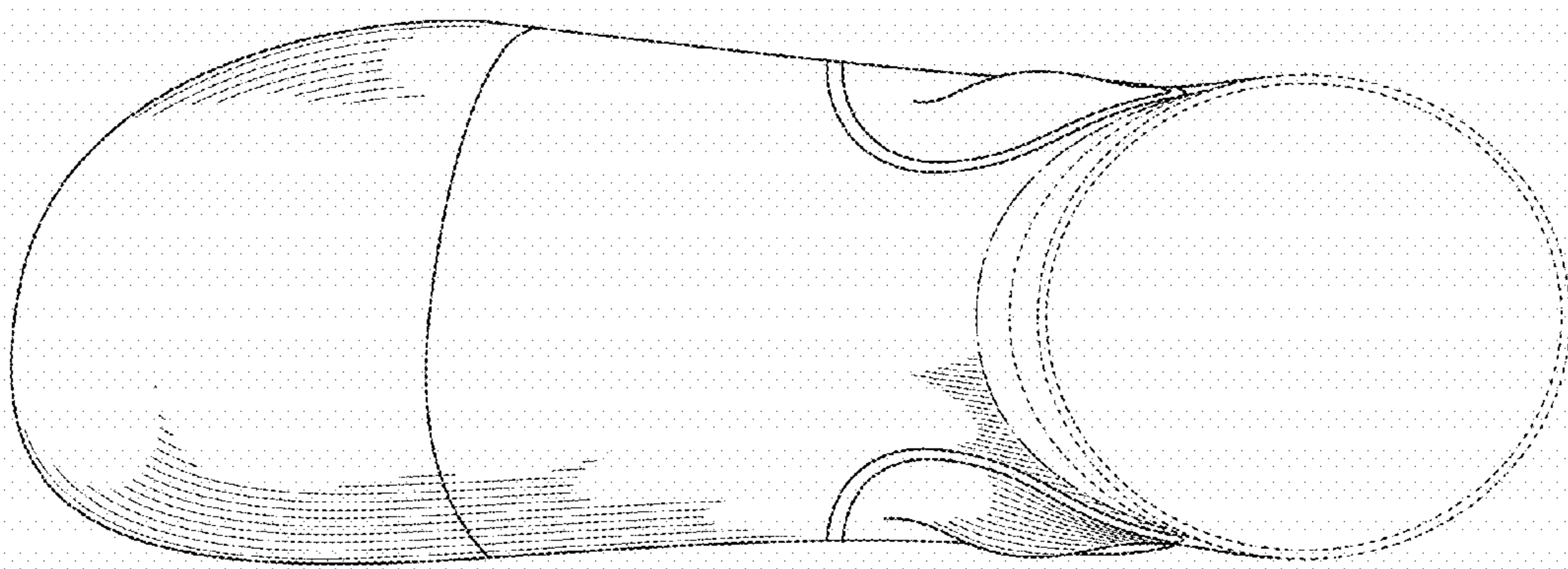


Fig.3

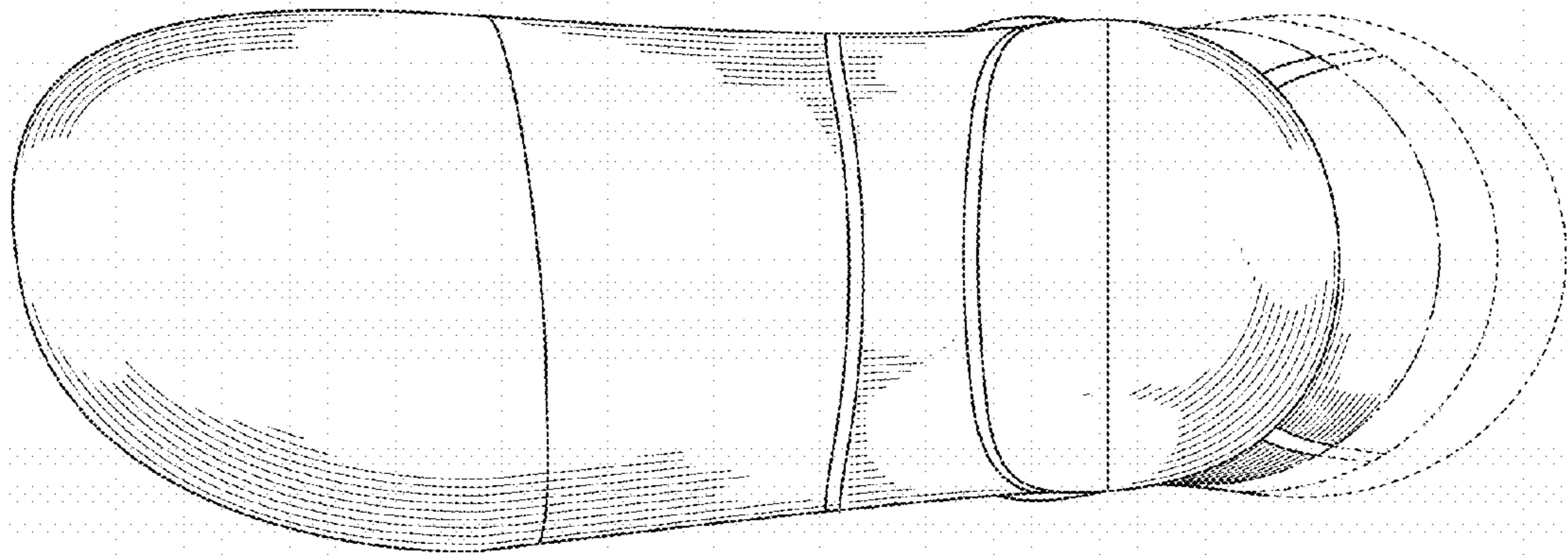


Fig.4

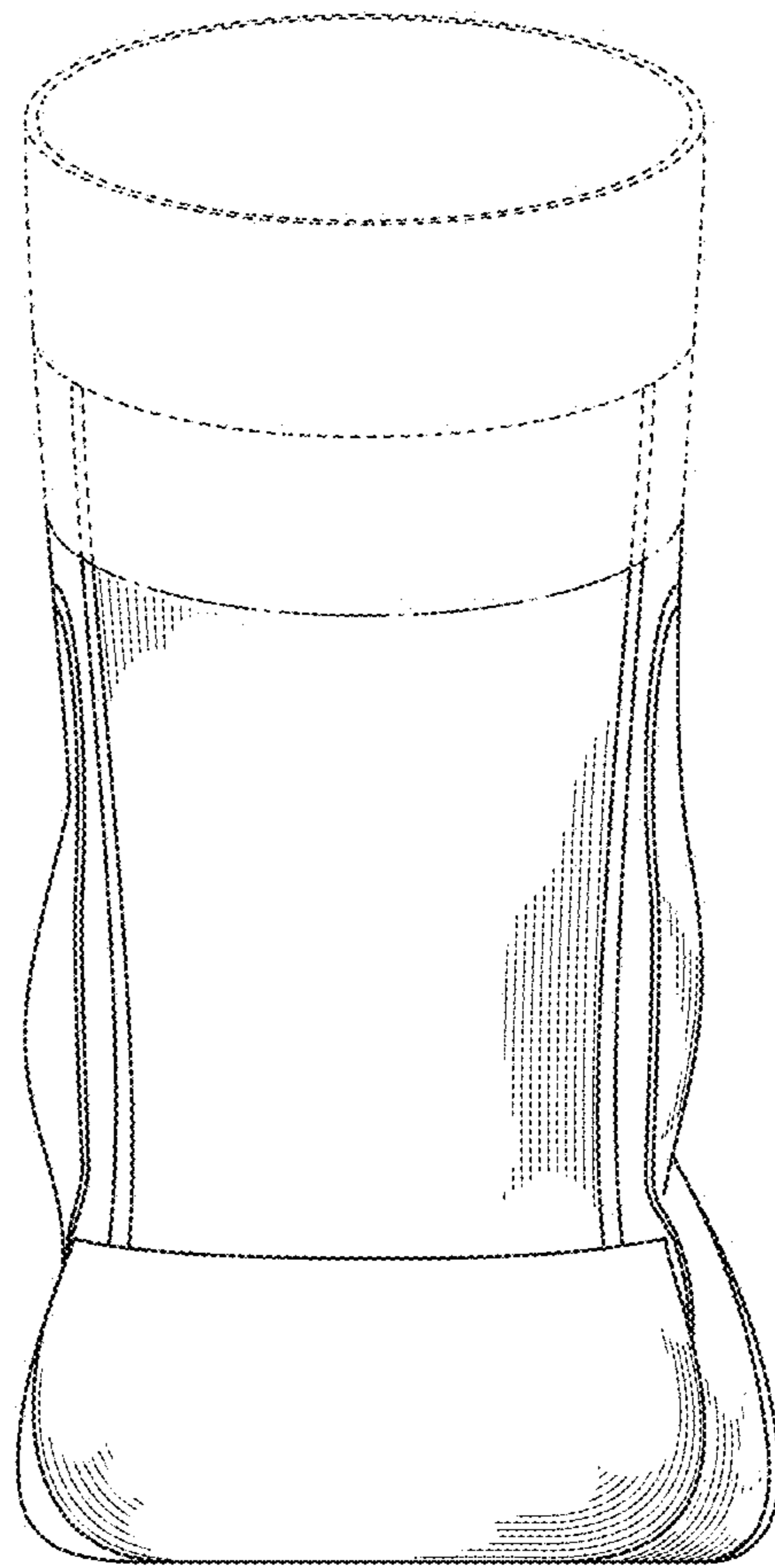


Fig.5

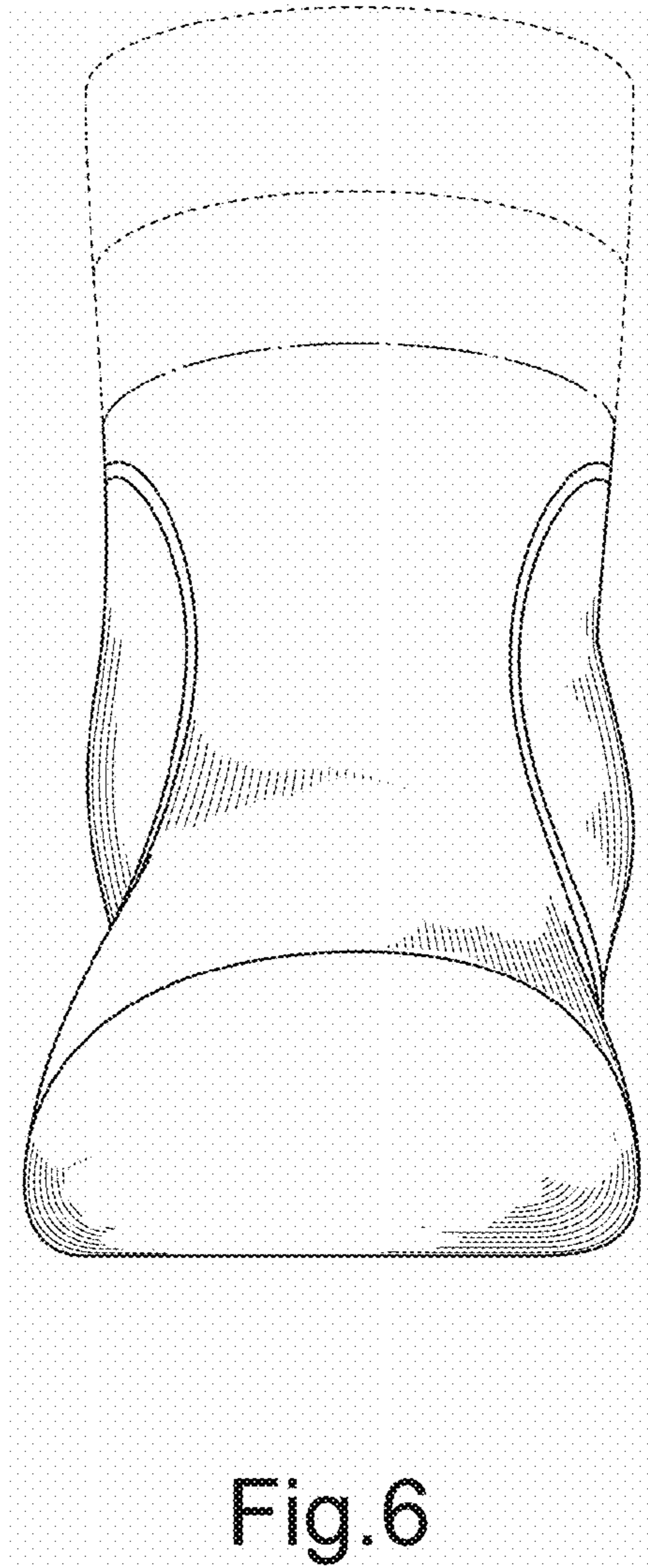


Fig. 6



Fig.7



Fig.8

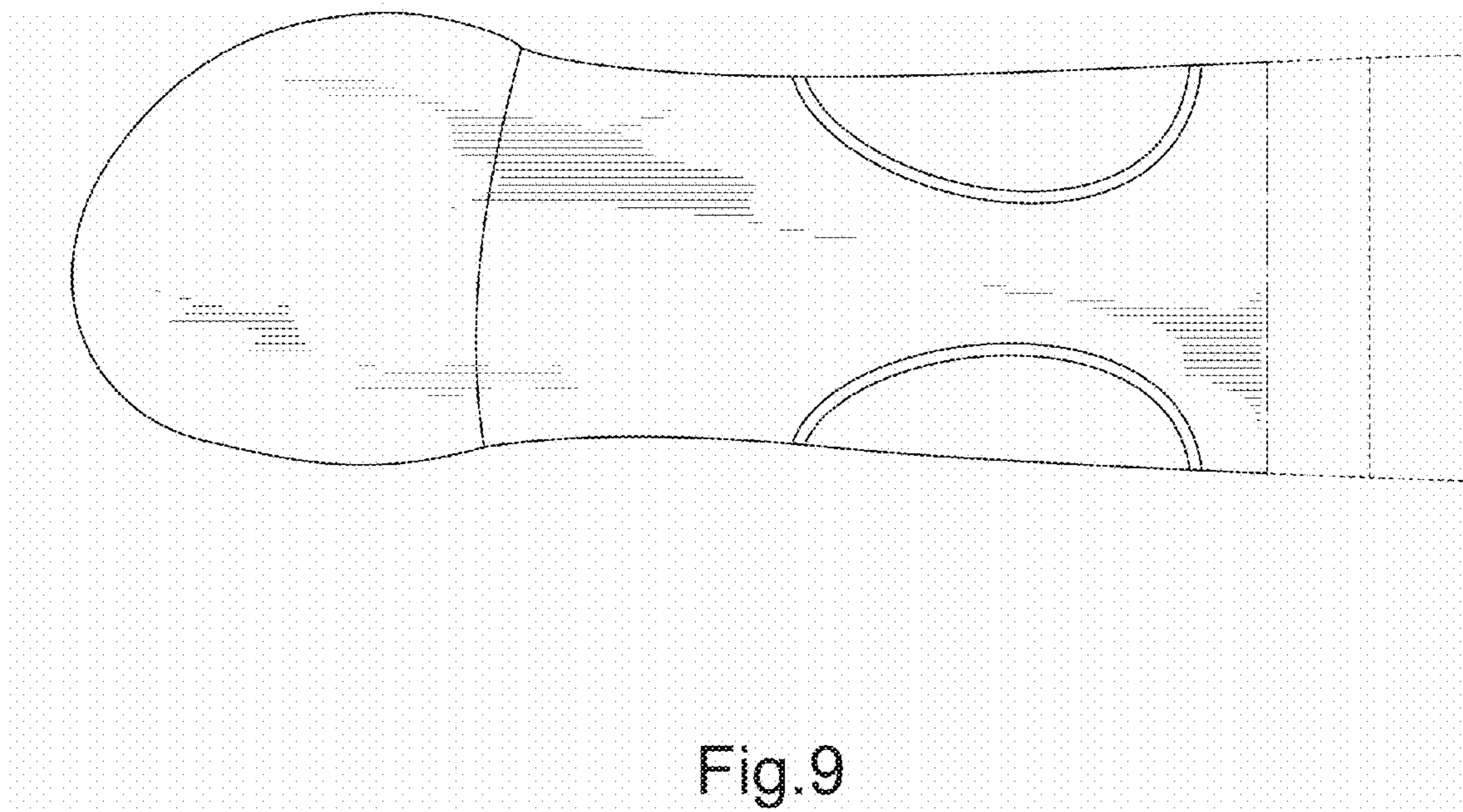


Fig.9

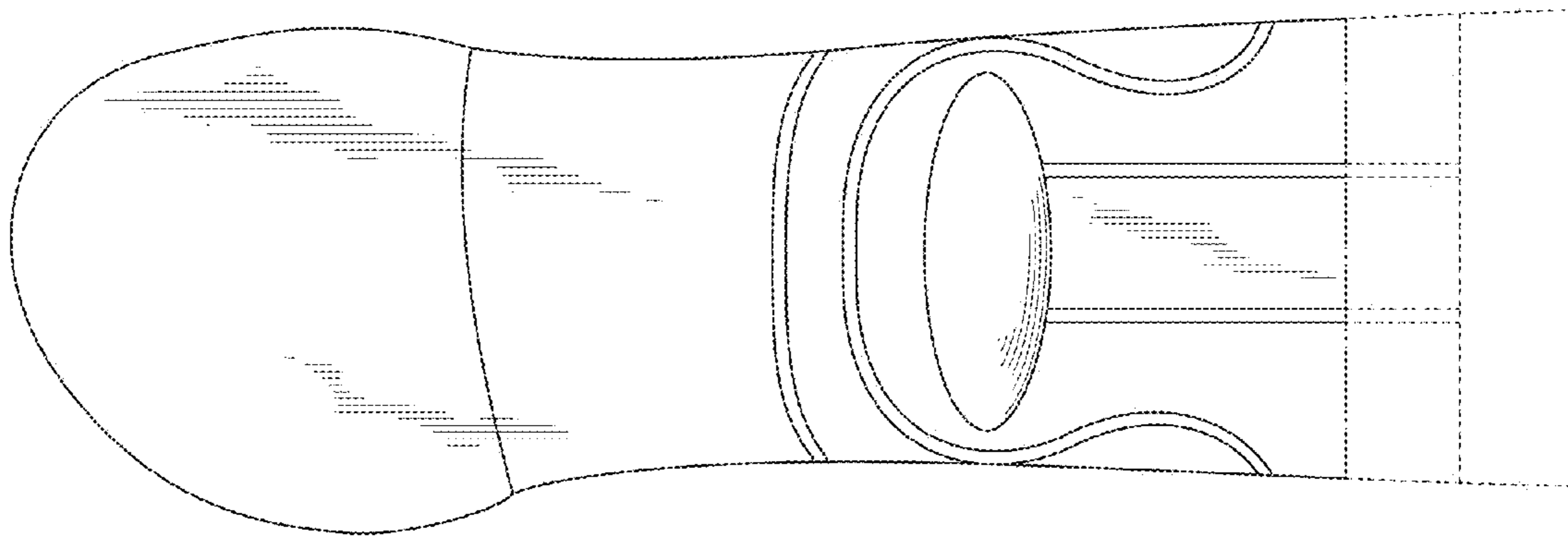


Fig.10

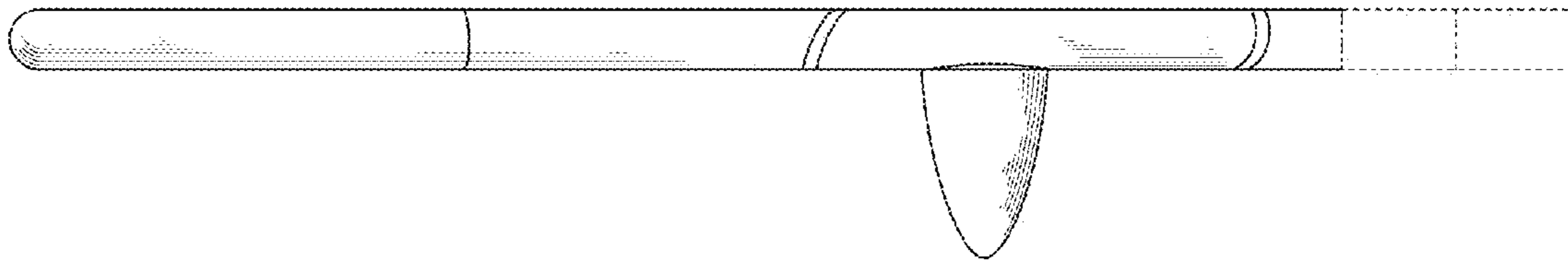


Fig.11