



US00D743677S

(12) **United States Design Patent**
Baerenwald

(10) **Patent No.:** **US D743,677 S**
(45) **Date of Patent:** **** Nov. 24, 2015**

- (54) **FOOTWEAR WITH MARKING SURFACE**
- (71) Applicant: **Amber L. Baerenwald**, Appleton, WI (US)
- (72) Inventor: **Amber L. Baerenwald**, Appleton, WI (US)
- (**) Term: **14 Years**
- (21) Appl. No.: **29/507,472**
- (22) Filed: **Oct. 28, 2014**
- (51) **LOC (10) Cl.** **02-04**
- (52) **U.S. Cl.**
USPC **D2/943**
- (58) **Field of Classification Search**
USPC D2/896, 902, 905, 906, 907, 909, 910, D2/911, 912, 943, 944, 945, 946, 969, 972, D2/976, 977; 36/83, 113, 114, 115, 36/126-131, 25 R, 30 R, 32 R, 45, 50.1, 54, 36/57
CPC A43B 5/00; A43B 5/001; A43B 5/002; A43B 5/003; A43B 5/006; A43B 5/007; A43B 5/008; A43B 5/02; A43B 5/025; A43B 5/06; A43B 5/08; A43B 5/10; A43B 5/12; A43B 5/14; A43B 5/145; A43B 13/00; A43B 13/02; A43B 13/04; A43B 13/14
See application file for complete search history.

D265,015 S *	6/1982	Higgins	D2/907
D267,366 S	12/1982	Davis		
D326,763 S *	6/1992	Holbrook	D2/907
D342,821 S	1/1994	Avar		
D346,686 S	5/1994	Hatfield		
D378,548 S	3/1997	Harman, II		
D444,621 S *	7/2001	von Conta	D2/969
D447,857 S *	9/2001	Januszewski	D2/969
D448,548 S *	10/2001	Simpson	D2/969
D449,434 S *	10/2001	Erickson et al.	D2/969
D467,709 S	12/2002	Berg et al.		
D511,879 S	11/2005	Caine		
D525,768 S *	8/2006	Robinson et al.	D2/906
D533,706 S *	12/2006	Lane et al.	D2/906
7,661,208 B2	2/2010	McKinney et al.		
D659,953 S *	5/2012	Van Zyll De Jong et al.	..	D2/907
D659,964 S	5/2012	Callahan et al.		
D661,078 S *	6/2012	Van Zyll De Jong et al.	..	D2/969
D675,418 S *	2/2013	Van Zyll De Jong et al.	..	D2/969
D719,326 S *	12/2014	Marchal	D2/944

* cited by examiner

Primary Examiner — Elizabeth J Oswecki
(74) *Attorney, Agent, or Firm* — Robert C. Montgomery; Montgomery Patent & Design LP

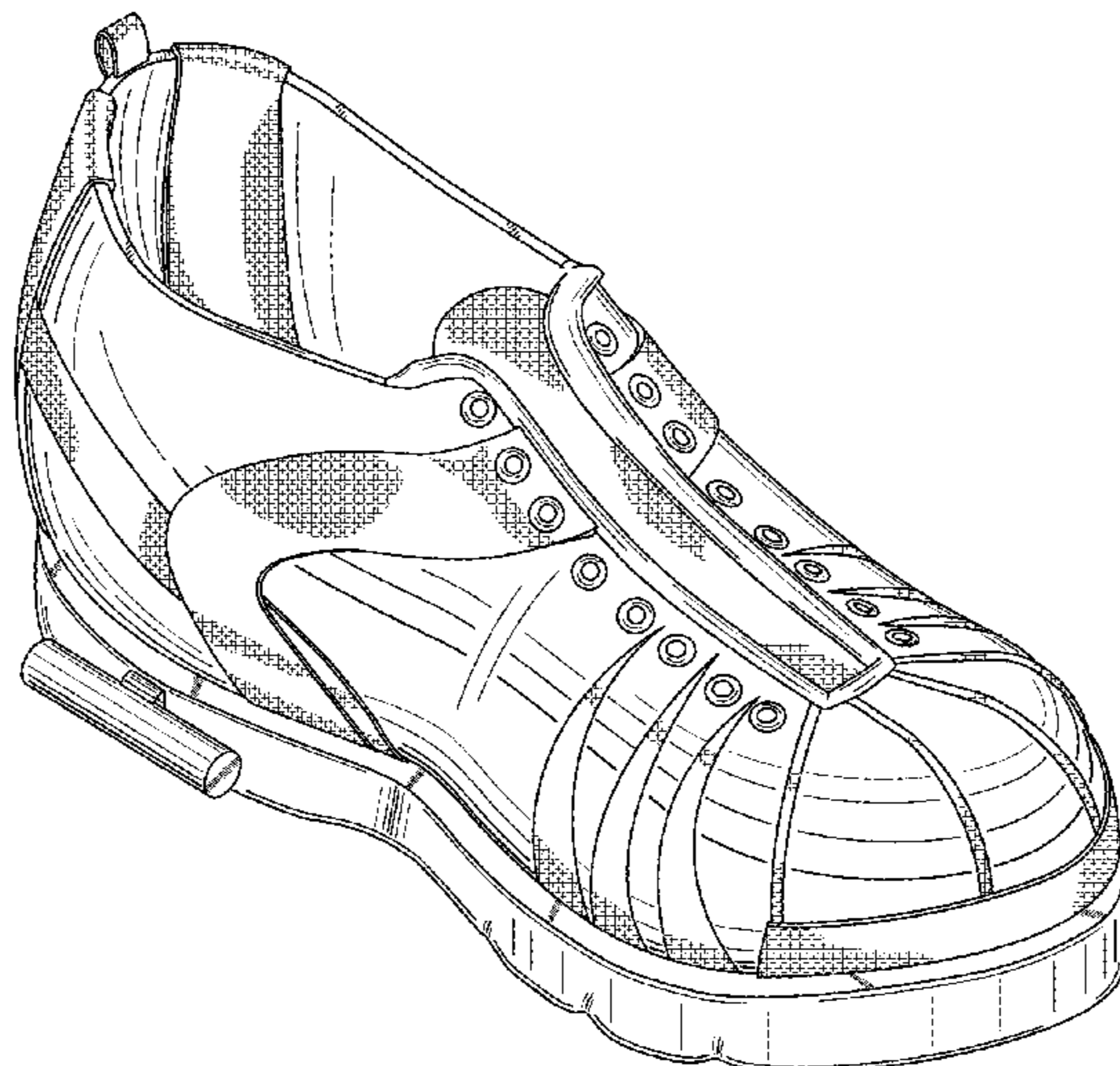
(57) **CLAIM**
The ornamental design for footwear with marking surface, as shown and described.

DESCRIPTION

FIG. 1 is a front perspective view of a footwear with marking surface, showing my new design;
FIG. 2 is a front view thereof;
FIG. 3 is a rear view thereof;
FIG. 4 is a left side view thereof;
FIG. 5 is a right side view thereof;
FIG. 6 is a top view thereof; and,
FIG. 7 is bottom view thereof.

1 Claim, 7 Drawing Sheets

- (56) **References Cited**
U.S. PATENT DOCUMENTS
1,952,628 A * 3/1934 MacDonald 36/4
D226,885 S * 5/1973 McBarron D2/907
D229,989 S * 1/1974 Sedley D2/907
D232,277 S * 8/1974 Vargo D2/908
D237,426 S * 11/1975 Thornberry D2/907
D239,145 S * 3/1976 Fisher D2/907



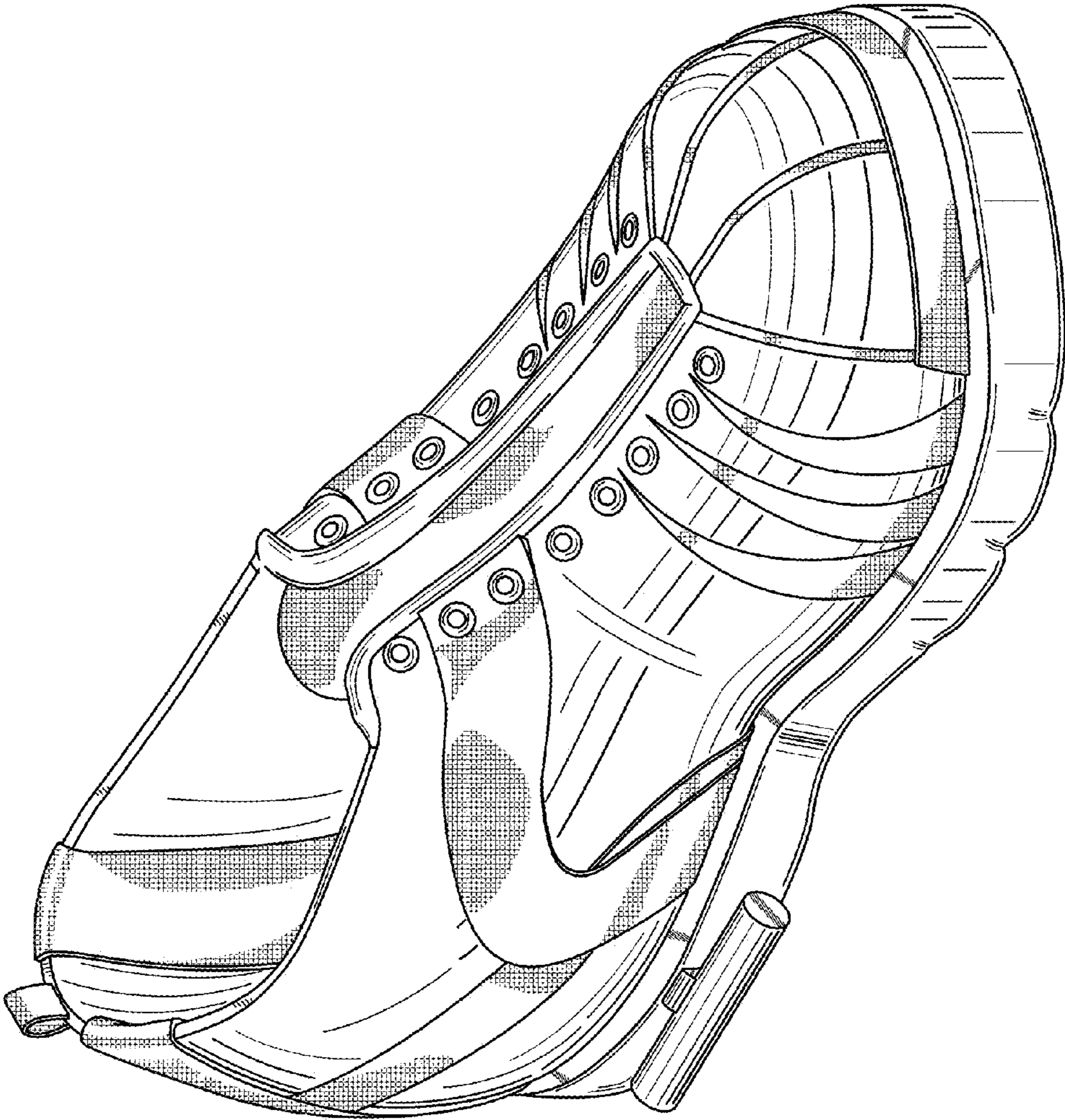


Fig. 1

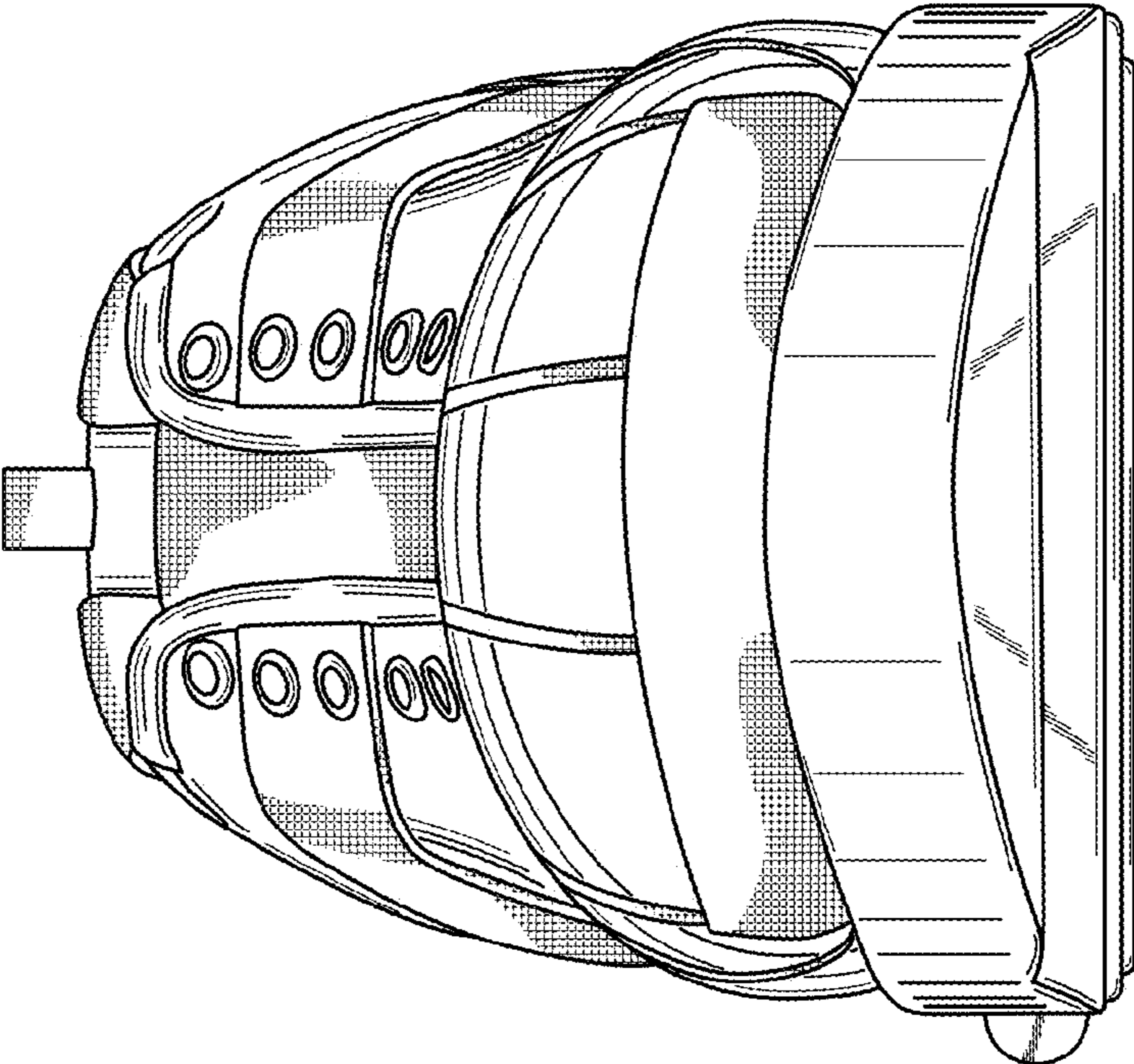


Fig. 2

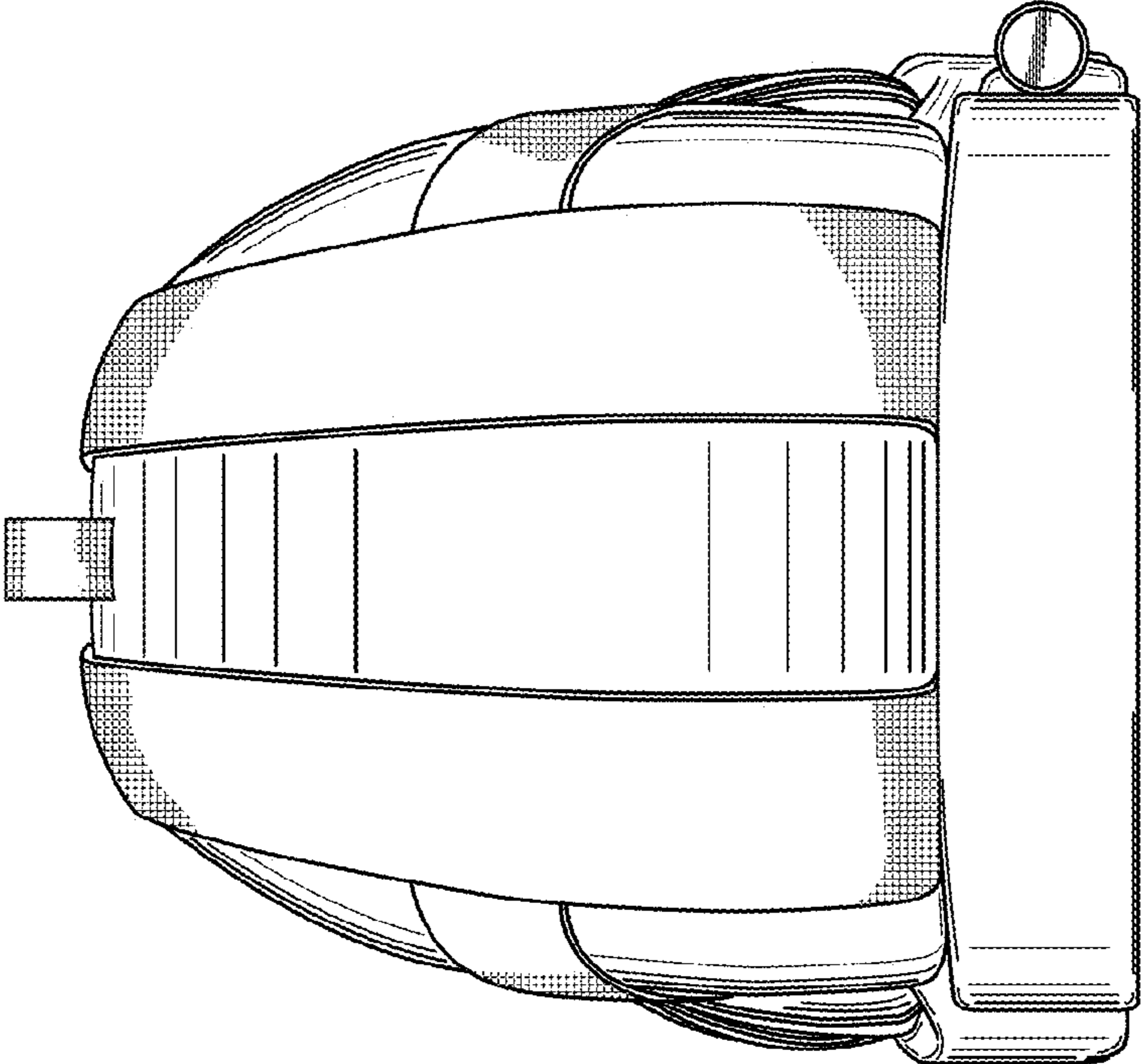


Fig. 3

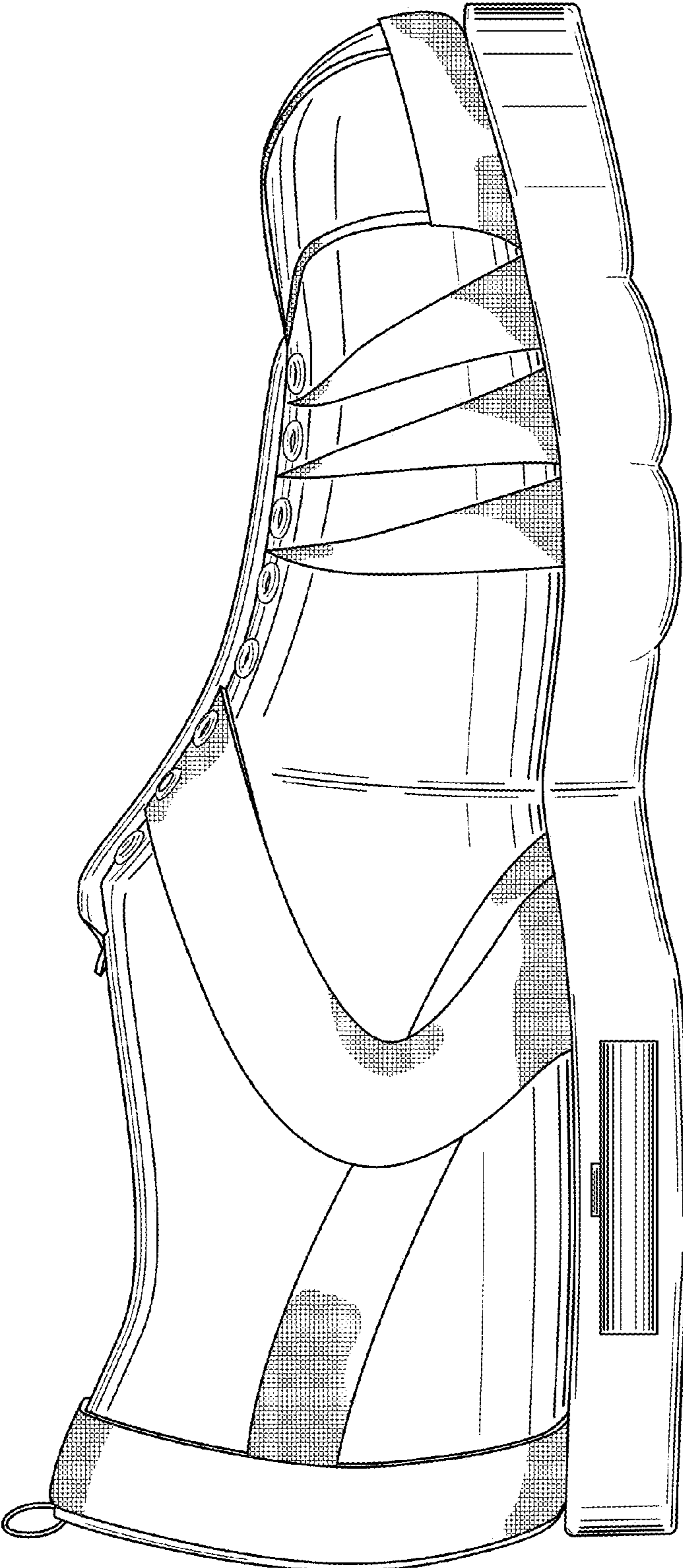


Fig. 4

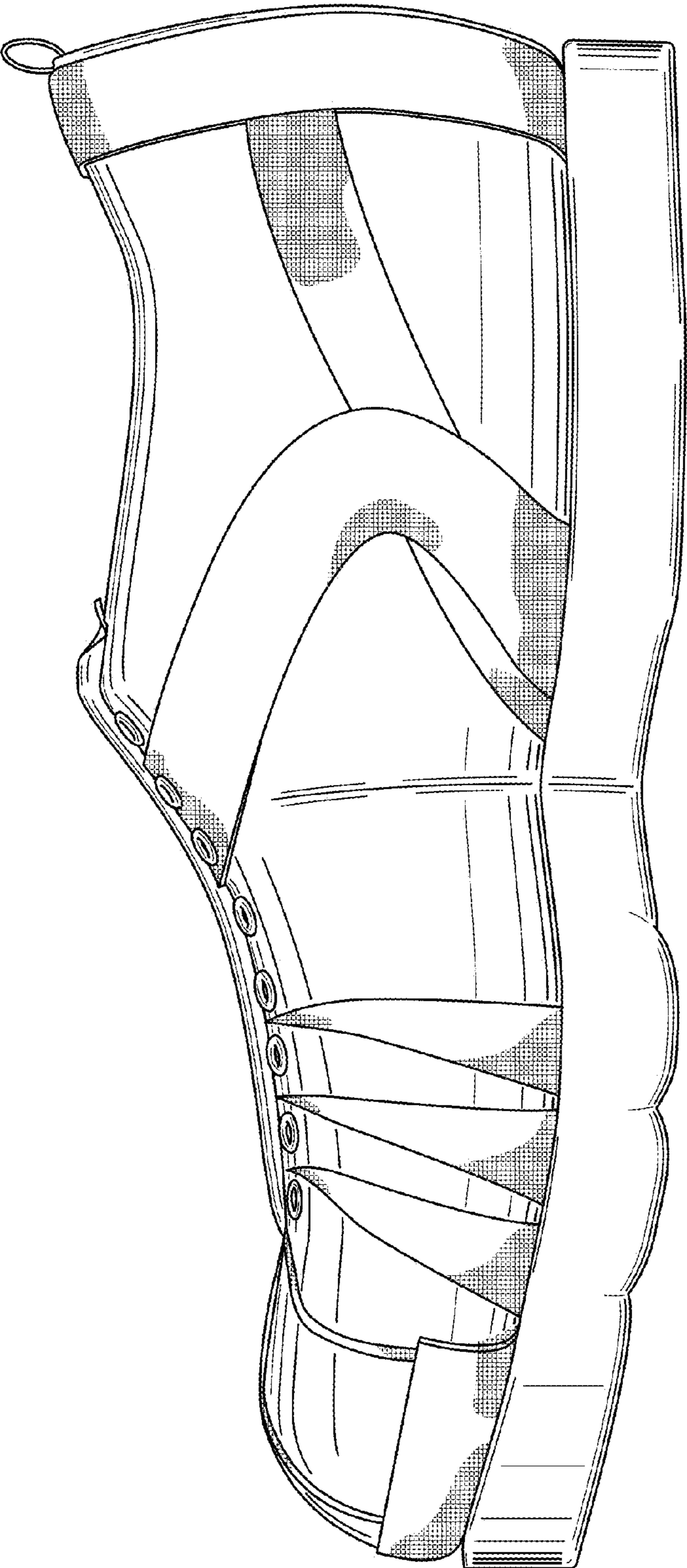


Fig. 5

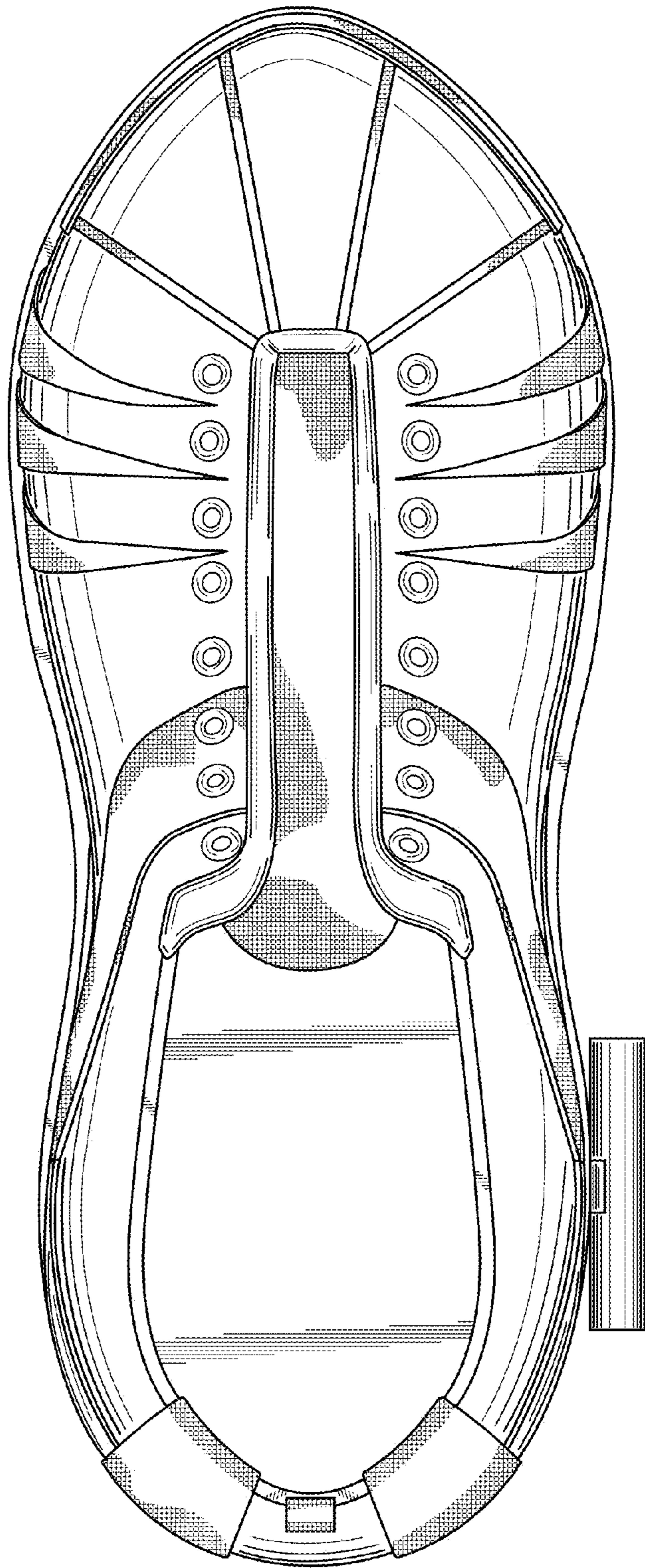


Fig. 6

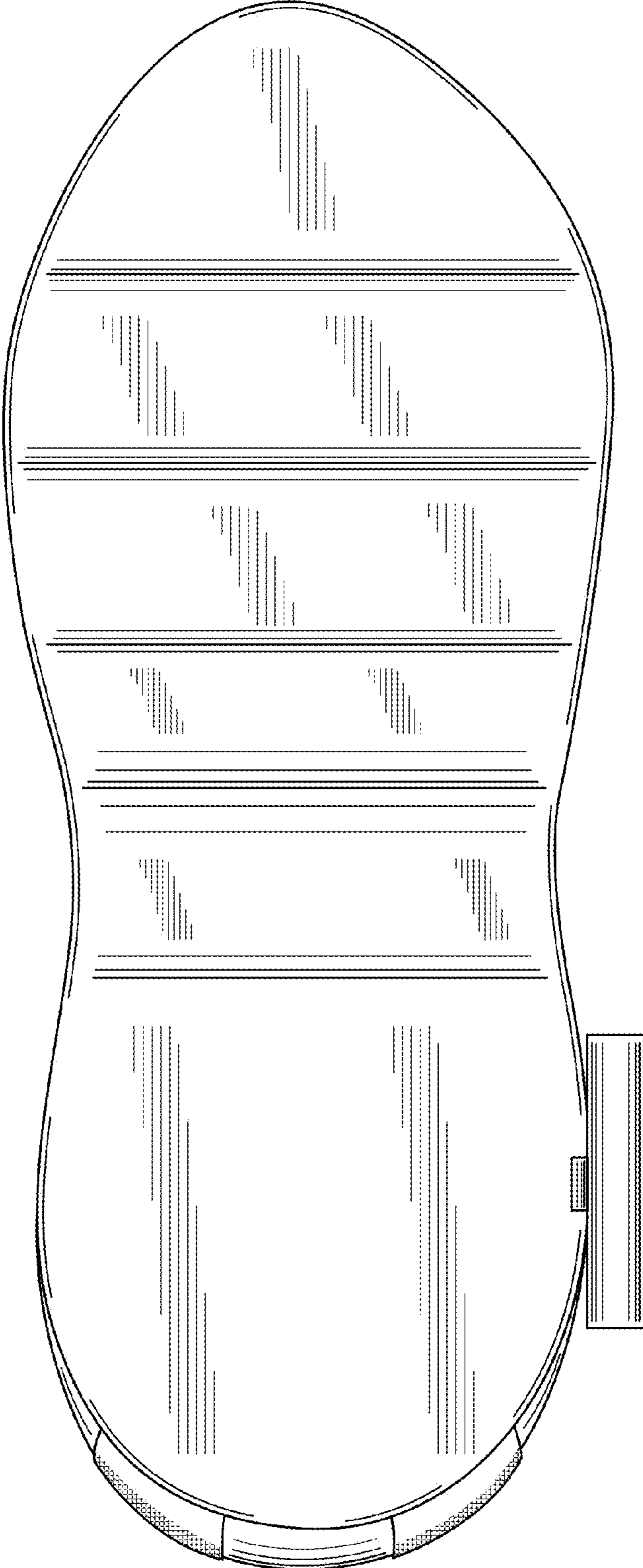


Fig. 7