



US00D743675S

(12) **United States Design Patent**
Yehudah

(10) **Patent No.:** **US D743,675 S**

(45) **Date of Patent:** **** Nov. 24, 2015**

(54) **SHOE**

(71) Applicant: **Yedidah T. Yehudah**, Mt. Vernon, NY
(US)

(72) Inventor: **Yedidah T. Yehudah**, Mt. Vernon, NY
(US)

(**) Term: **14 Years**

(21) Appl. No.: **29/480,480**

(22) Filed: **Jan. 27, 2014**

(51) **LOC (10) Cl.** **02-04**

(52) **U.S. Cl.**
USPC **D2/917**; D2/946

(58) **Field of Classification Search**
USPC D2/896-900, 903, 916-925, 932, 946,
D2/952, 969, 971; 36/45, 11.5, 8.1, 77 M,
36/77 R, 83, 7

CPC A43B 5/00; A43B 5/08
See application file for complete search history.

(56) **References Cited**

U.S. PATENT DOCUMENTS

D147,308	S	*	8/1947	Steel	D2/917
2,507,120	A		5/1950	Shapiro		
D169,015	S	*	3/1953	Seicca	D2/917
3,000,116	A		9/1961	Ally		
3,928,927	A	*	12/1975	Brown et al.	36/11.5
4,461,102	A		7/1984	DeVincentis		
4,584,782	A	*	4/1986	Thatcher	36/11.5
D384,495	S		10/1997	Watson		
D492,474	S		7/2004	Branstrom		
7,877,903	B2		2/2011	Barteet		

D648,511	S	*	11/2011	Trickey	D2/917
D649,750	S	*	12/2011	Weitzman	D2/917
D661,066	S	*	6/2012	Marcos Da Silva	D2/917
D661,068	S	*	6/2012	Da Silva	D2/917
D664,747	S	*	8/2012	Ma	D2/917
D672,947	S	*	12/2012	Issler	D2/917
2003/0177664	A1		9/2003	Monassebian		
2007/0094897	A1		5/2007	Nakatsu		
2007/0261267	A1		11/2007	Osborn		
2009/0193684	A1		8/2009	Diamond		
2010/0170113	A1		7/2010	Garza		
2012/0311889	A1		12/2012	George		

* cited by examiner

Primary Examiner — Zenia Bennett

Assistant Examiner — Rashida C McCoy

(74) *Attorney, Agent, or Firm* — Cowan, Liebowitz & Latman, P.C.; Mark Montague; Serge Krimnus

(57) **CLAIM**

The ornamental design for shoe, as shown and described.

DESCRIPTION

FIG. 1 is a perspective view showing the shoe of the present invention;

FIG. 2 is a top plan view thereof;

FIG. 3 is a bottom plan view thereof;

FIG. 4 is a right elevational right view thereof;

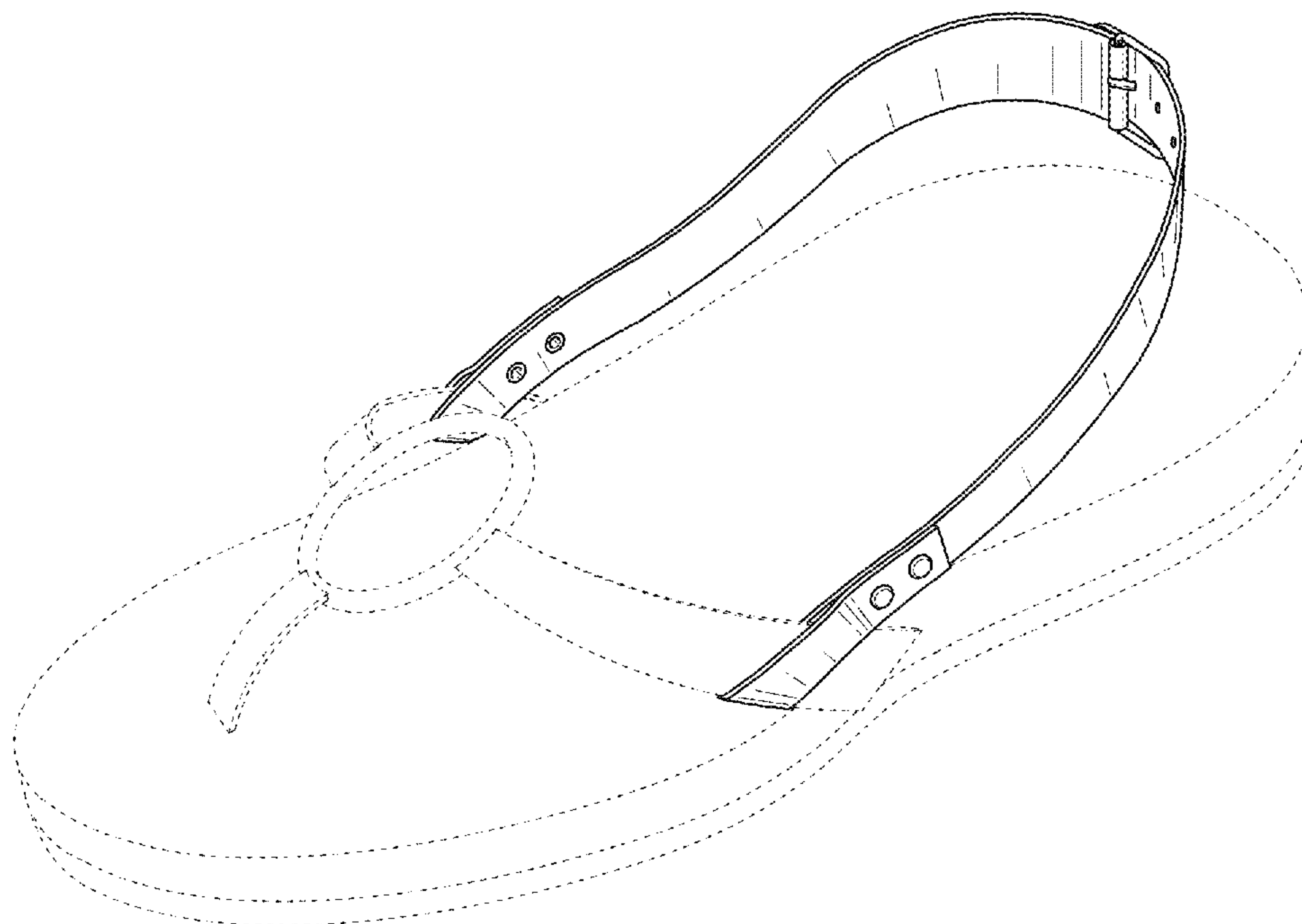
FIG. 5 is a left elevational view thereof;

FIG. 6 is a front elevational view thereof; and,

FIG. 7 is a rear elevational view thereof.

Broken lines showing portions of the shoe are for illustrative purposes and form no part of the claimed design.

1 Claim, 4 Drawing Sheets



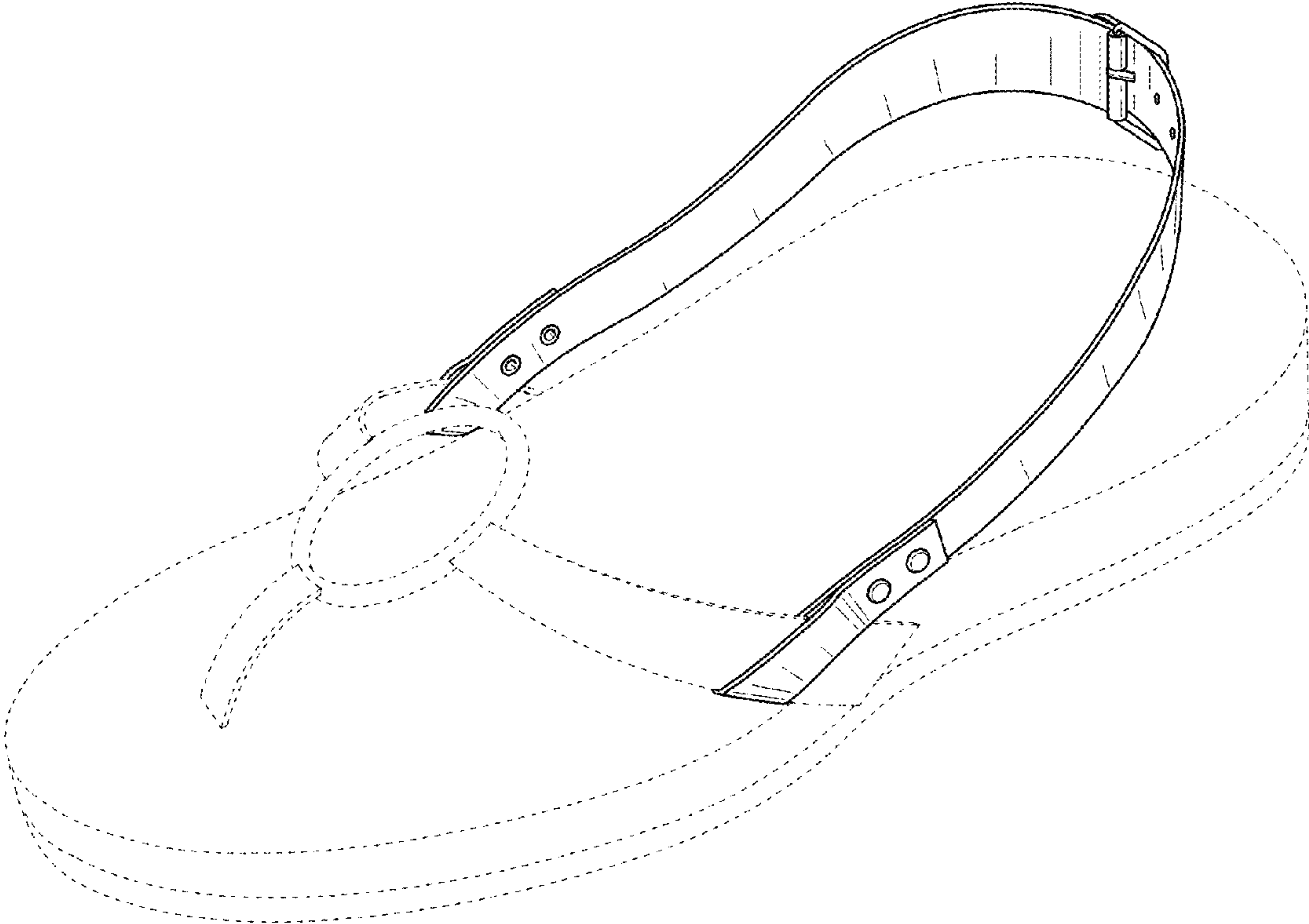


FIG. 1

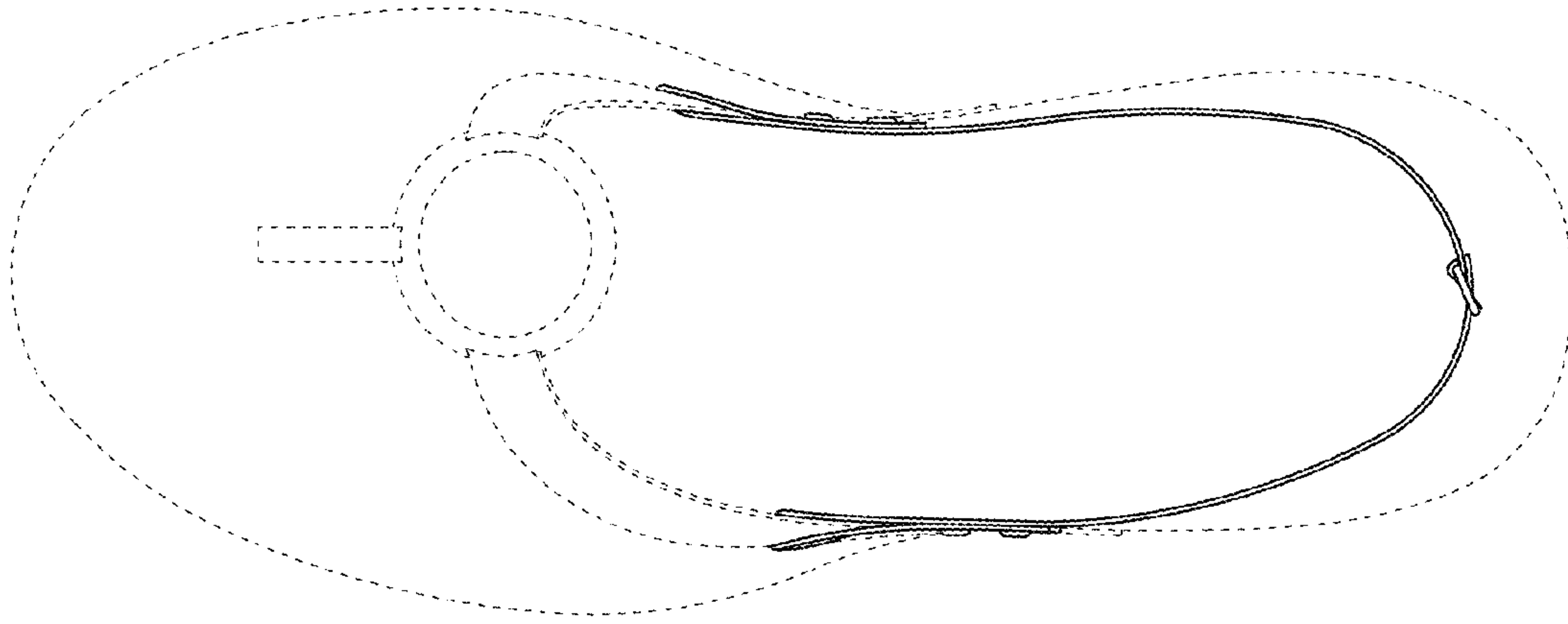


FIG. 2



FIG. 3

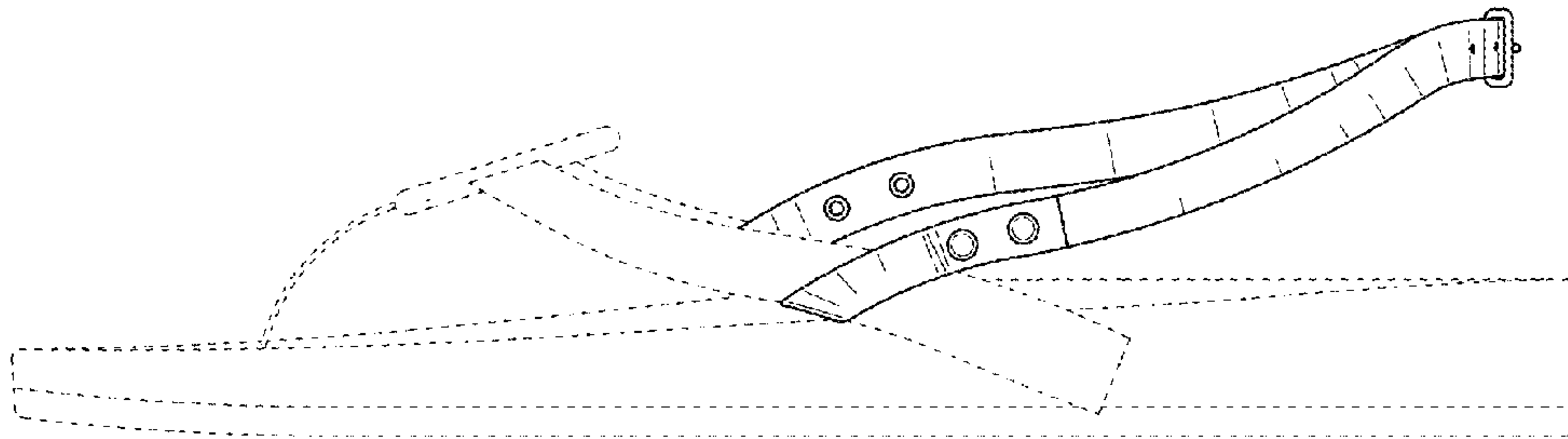


FIG. 4

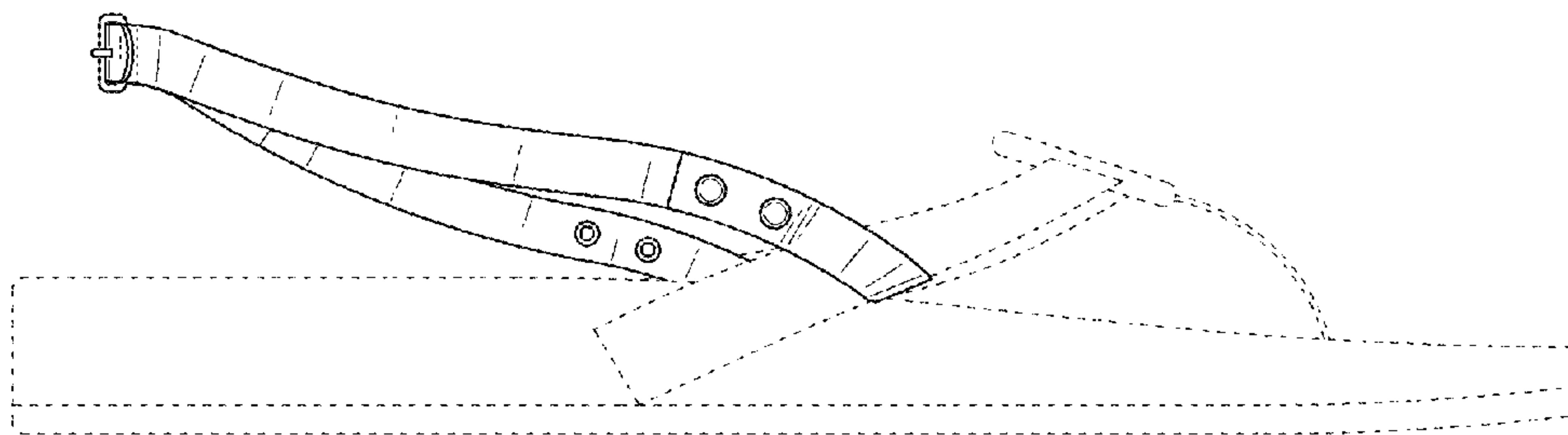


FIG. 5

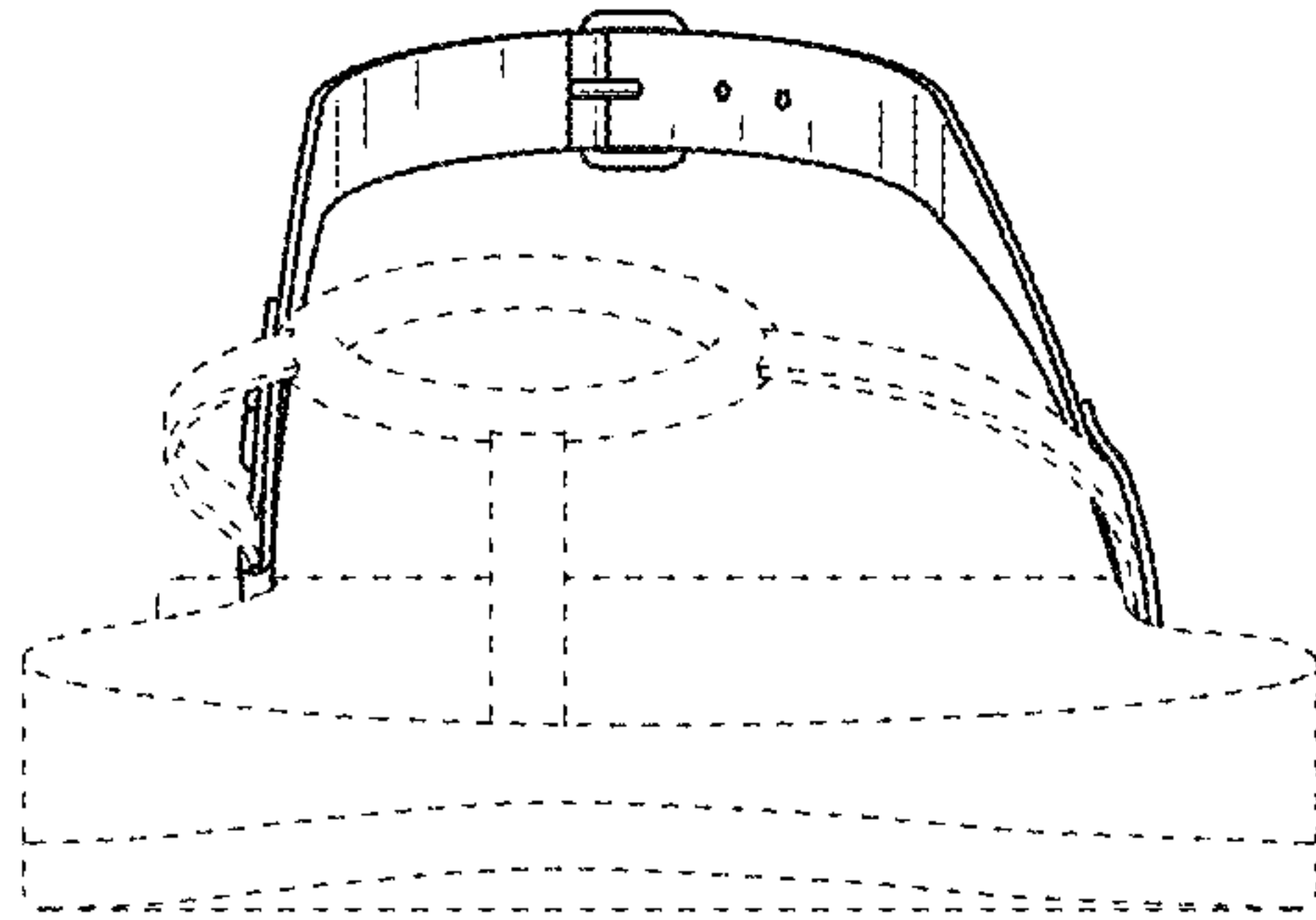


FIG. 6

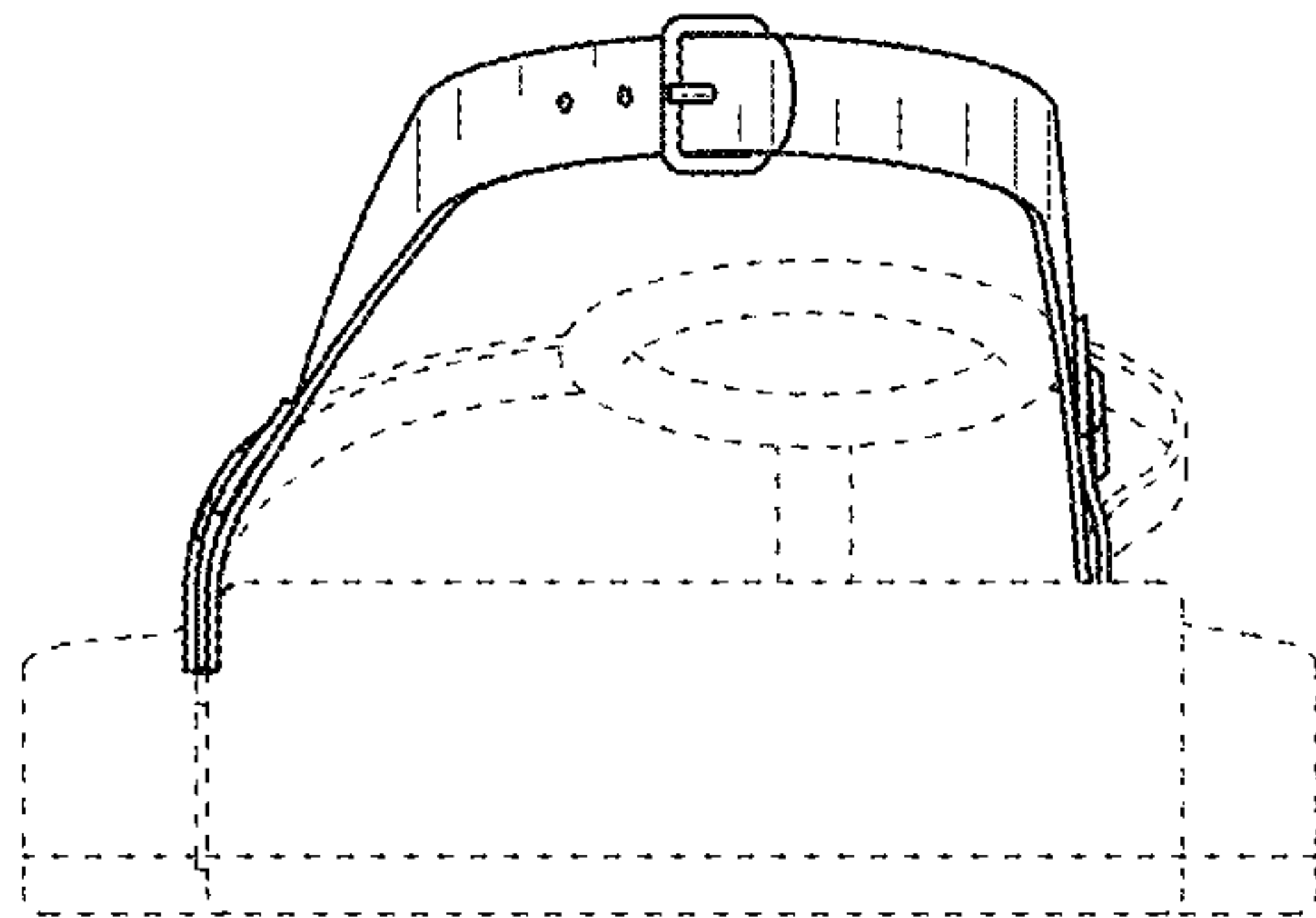


FIG. 7