



US00D743666S

(12) **United States Design Patent**
Carroll et al.

(10) **Patent No.:** **US D743,666 S**
(45) **Date of Patent:** **** Nov. 24, 2015**

(54) **CONFECTIONERY**

(71) Applicant: **The Hershey Company**, Hershey, PA (US)

(72) Inventors: **Thomas Joseph Carroll**, Mechanicsburg, PA (US); **Steven M. Kumiega**, Hummelstown, PA (US); **Michael G. Burnett**, Hershey, PA (US)

(73) Assignee: **The Hershey Company**, Hershey, PA (US)

(**) Term: **14 Years**

(21) Appl. No.: **29/500,792**

(22) Filed: **Aug. 28, 2014**

(51) **LOC (10) Cl.** **01-01**

(52) **U.S. Cl.**
USPC **D1/106; D1/127**

(58) **Field of Classification Search**
USPC D1/100–130, 199; 426/5, 76, 87, 92, 426/94, 95, 99, 101, 103, 108, 138–139, 426/143, 144, 279, 282, 283, 391, 514, 549, 426/660; D13/100; D24/101, 104; D28/8.1, D28/7, 79; 424/467; D9/661, 439; D7/565–566, 672–677, 689; D11/44, D11/117, 121, 125, 130.1, 79; D6/601; D19/40; D26/9, 11; D2/951, 952
See application file for complete search history.

(56) **References Cited**

U.S. PATENT DOCUMENTS

D44,329 S *	7/1913	Ackerman	D11/35
D194,476 S *	1/1963	Gottsegen	D21/629
D275,559 S *	9/1984	Williams	D11/124
D279,277 S *	6/1985	Andrus	D11/125
D328,724 S *	8/1992	Dudley	D11/117
D394,535 S *	5/1998	Villota	D1/106
D402,914 S *	12/1998	Andersen	D11/121
D513,823 S *	1/2006	Haro	D1/106

D554,332 S *	11/2007	Schoenborn	D2/952
D600,380 S *	9/2009	van der Lande	D26/47
D604,570 S *	11/2009	Frank	D7/689
D622,929 S *	9/2010	Anderson	D1/106
D665,966 S *	8/2012	Anderson	D1/106
D693,249 S *	11/2013	Anderssen	D10/65
D693,986 S *	11/2013	Pearson	D1/115

(Continued)

OTHER PUBLICATIONS

“Ice Ball Mold Snow Flake Maker.” Japan Trend Shop. Mar. 5, 2012. Web. Sep. 23, 2015. <<http://www.japantrendshop.com/ice-ball-mold-snow-flake-maker-p-1085.html>>.*

(Continued)

Primary Examiner — Deanna L Pratt
Assistant Examiner — Katie Mroczka
(74) *Attorney, Agent, or Firm* — Design IP

(57) **CLAIM**

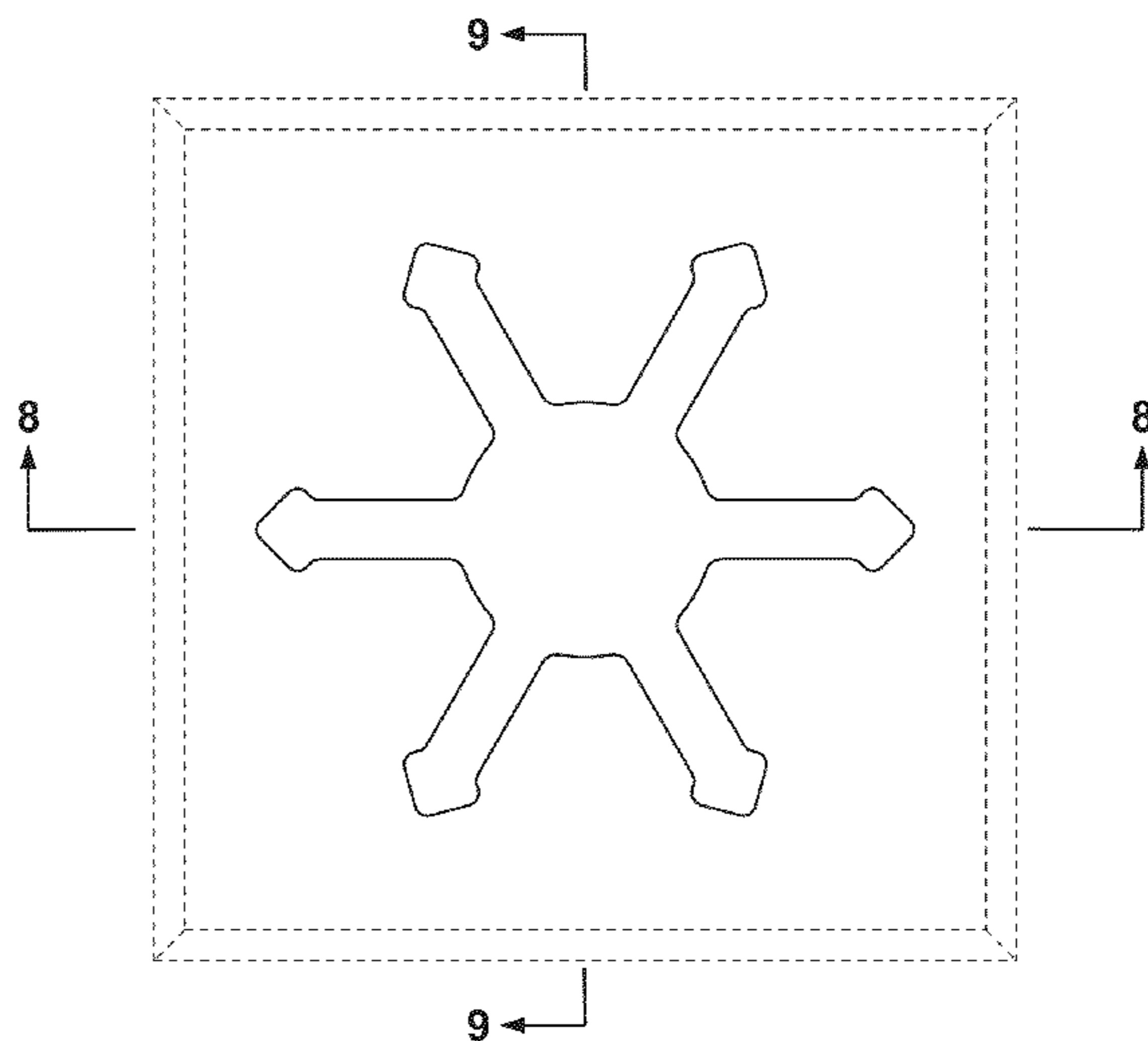
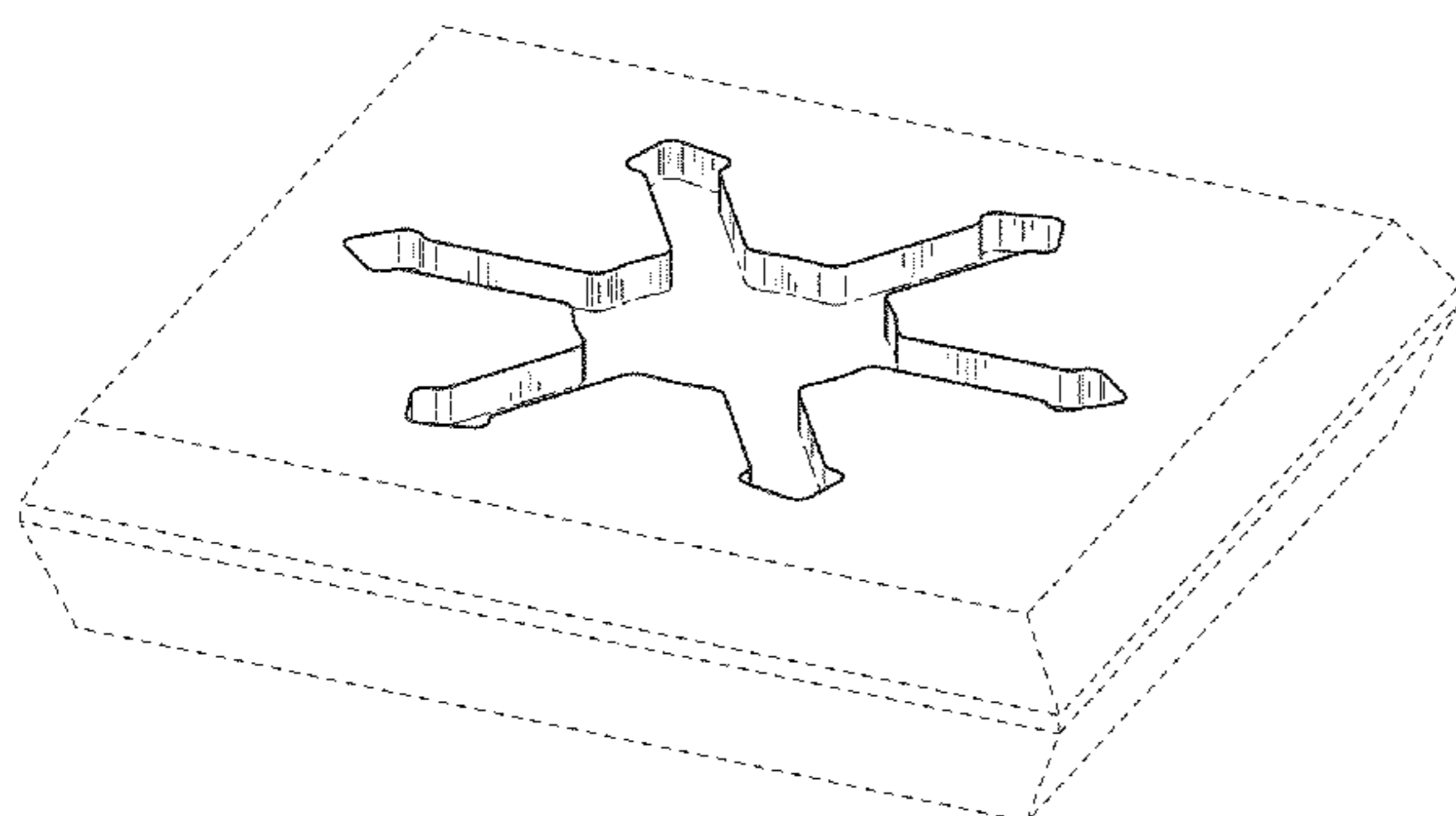
The ornamental design for a confectionery, as shown and described.

DESCRIPTION

FIG. 1 is a front perspective view of a confectionery showing our design;
FIG. 2 is a front orthographic view thereof;
FIG. 3 is a rear orthographic view thereof;
FIG. 4 is a left side orthographic view thereof;
FIG. 5 is a right side orthographic view thereof;
FIG. 6 is a top orthographic view thereof;
FIG. 7 is a bottom orthographic view thereof;
FIG. 8 is a sectional of view thereof, taken along line 8-8 of FIG. 6; and,
FIG. 9 is sectional of view thereof, taken along line 9-9 of FIG. 6.

The dashed lines appearing in FIGS. 1-9 represent environmental subject matter only and form no part of the claimed design. The dash-dot lines appearing in FIGS. 1 and 8-9 define bounds of the claimed design form no part thereof.

1 Claim, 4 Drawing Sheets



(56)

References Cited

U.S. PATENT DOCUMENTS

D695,990 S * 12/2013 Pearson D1/115
D733,656 S * 7/2015 Anderssen D13/147

OTHER PUBLICATIONS

“20 Unique and Creative Ice Cube Trays.” deMilked. 2010. Web. Sep.

23, 2015. <<http://www.demilked.com/creative-and-unusual-ice-cube-trays/>>.*

Browning, Denise. “Peppermint Snowflake Bark & 10 Holiday Money Saving Tips.” From Brazil to You.org. Dec. 1, 2014. Web. Sep. 23, 2015. <<http://www.frombraziltoyou.org/peppermint-snowflake-bark-10-holiday-money-saving-tips/>>.*

* cited by examiner

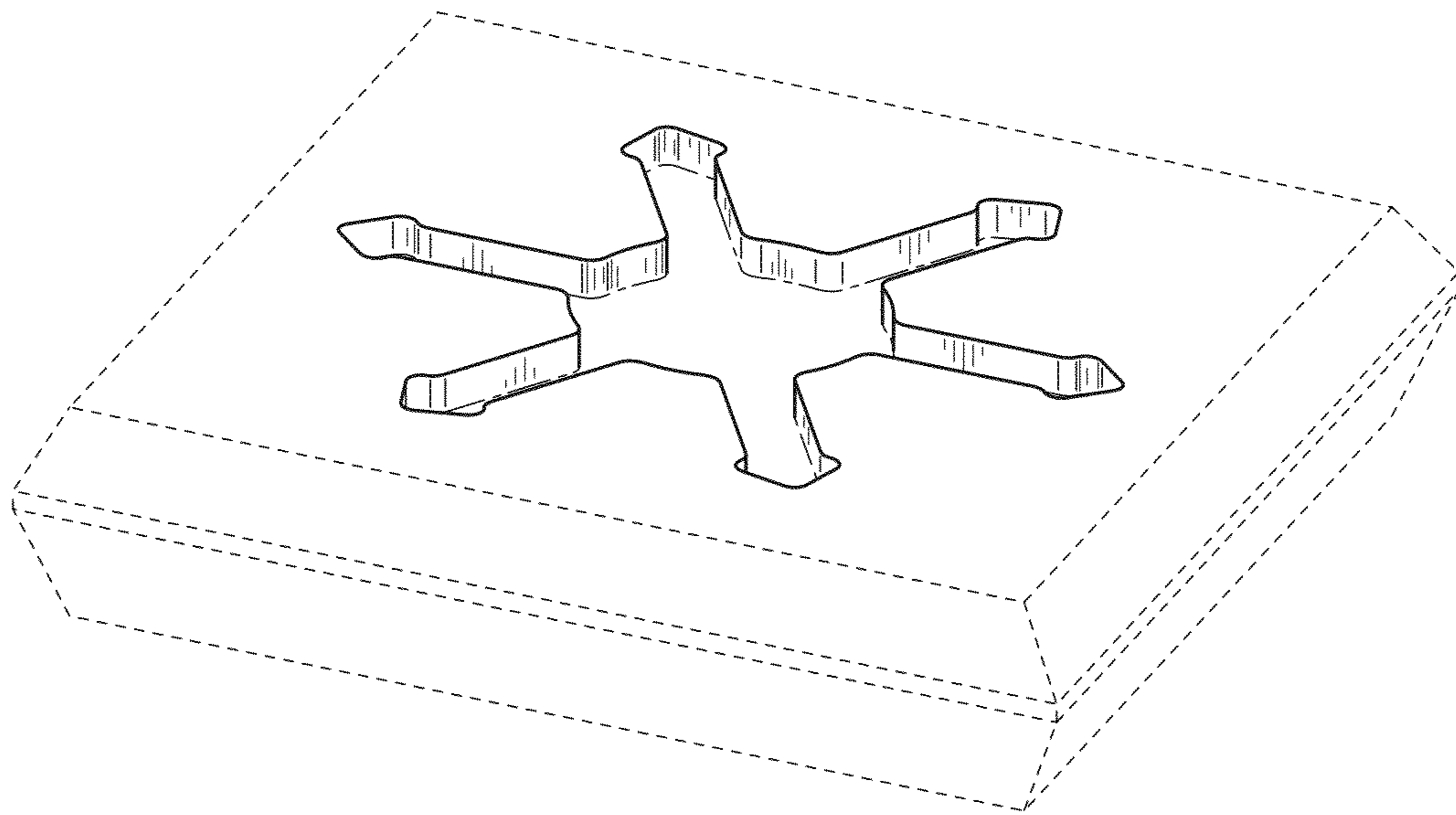


FIG. 1

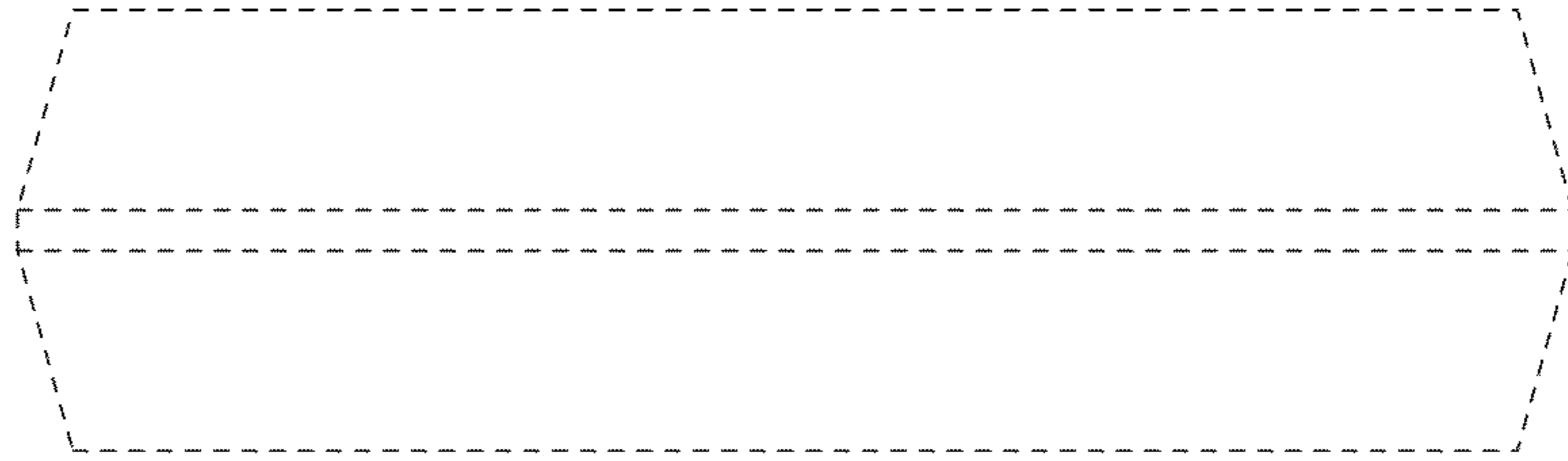


FIG. 2

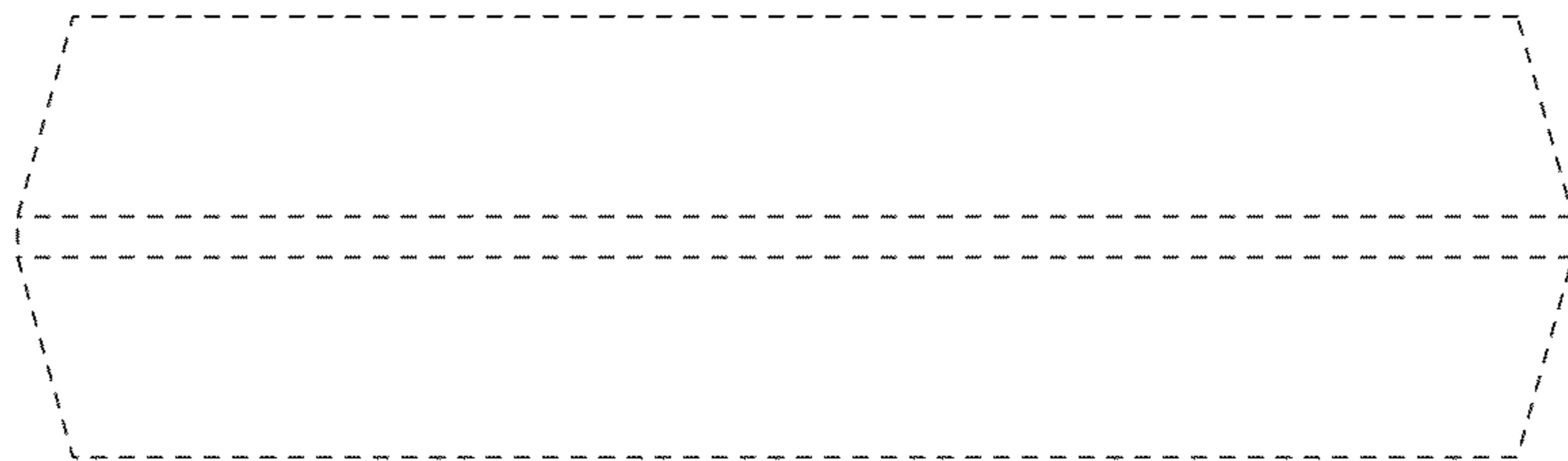


FIG. 3

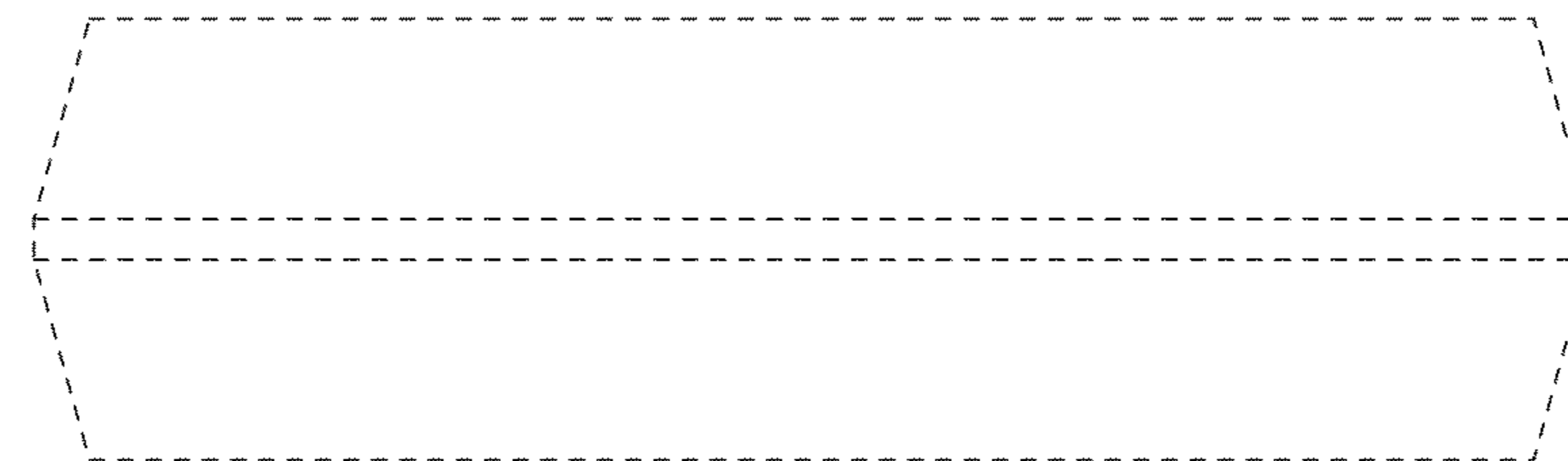


FIG. 4

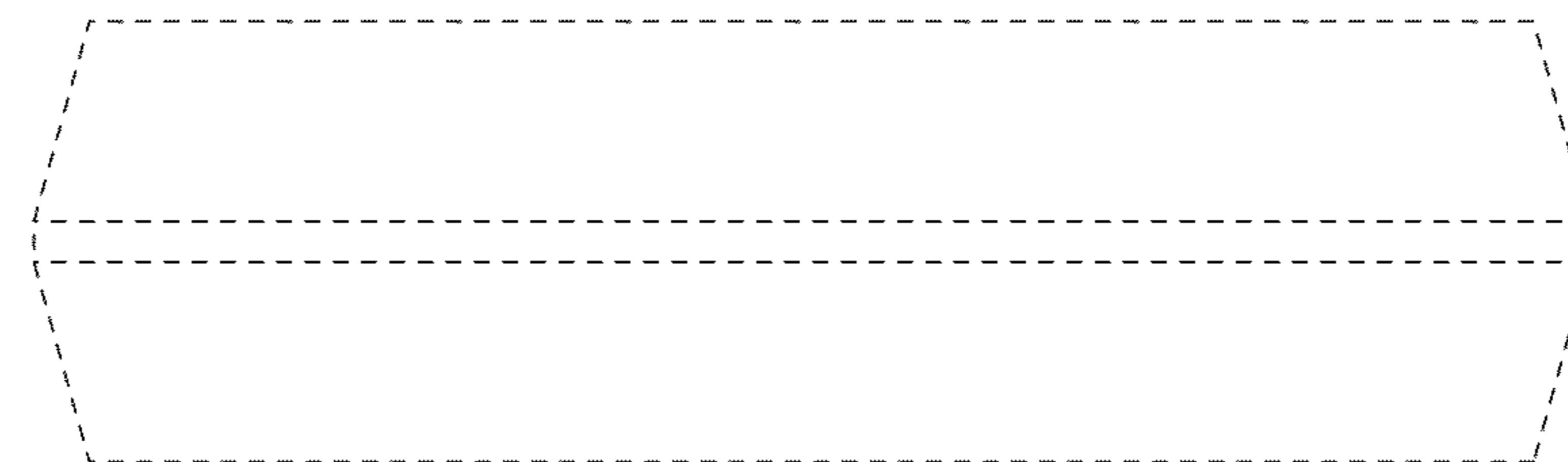
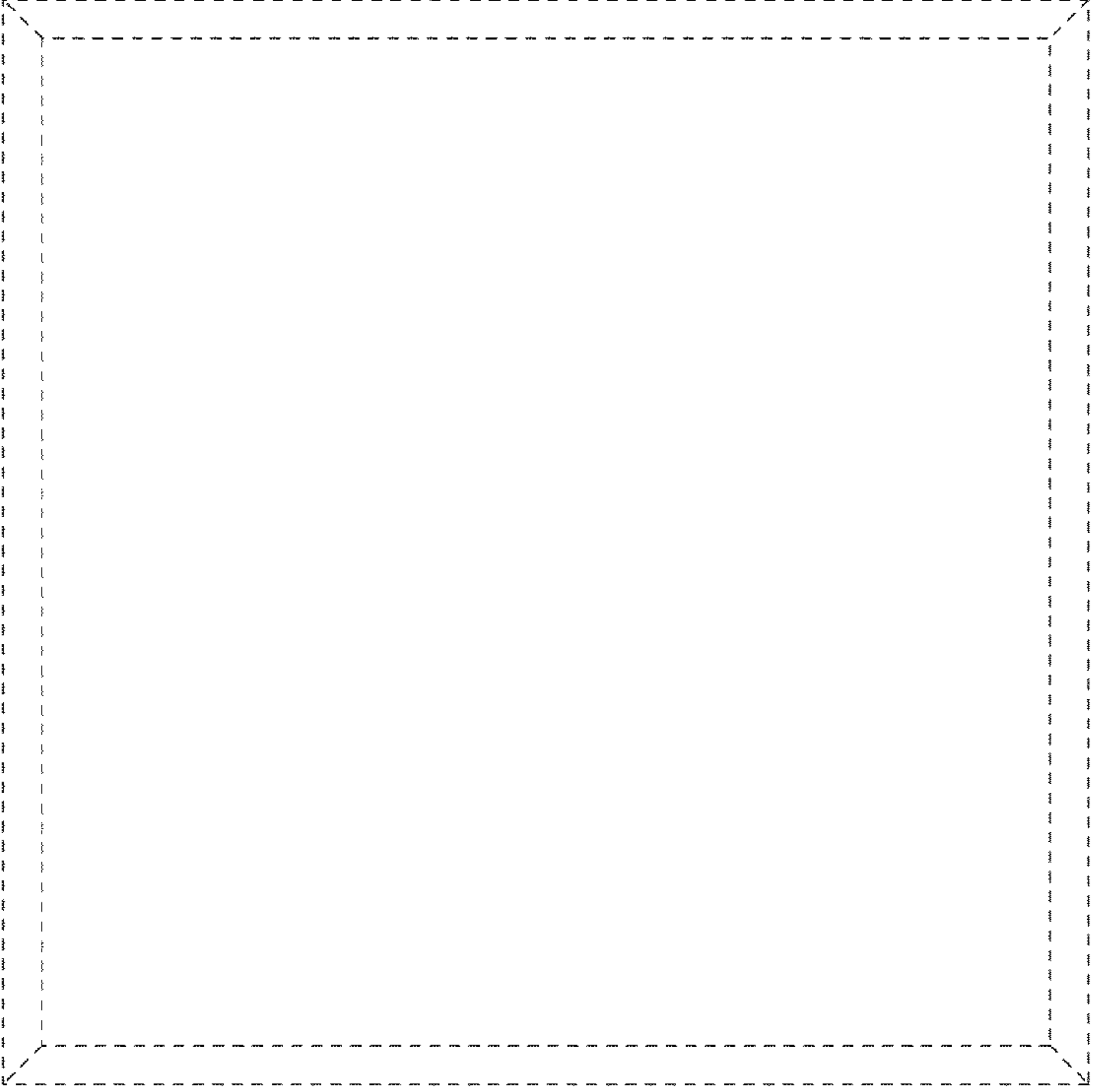
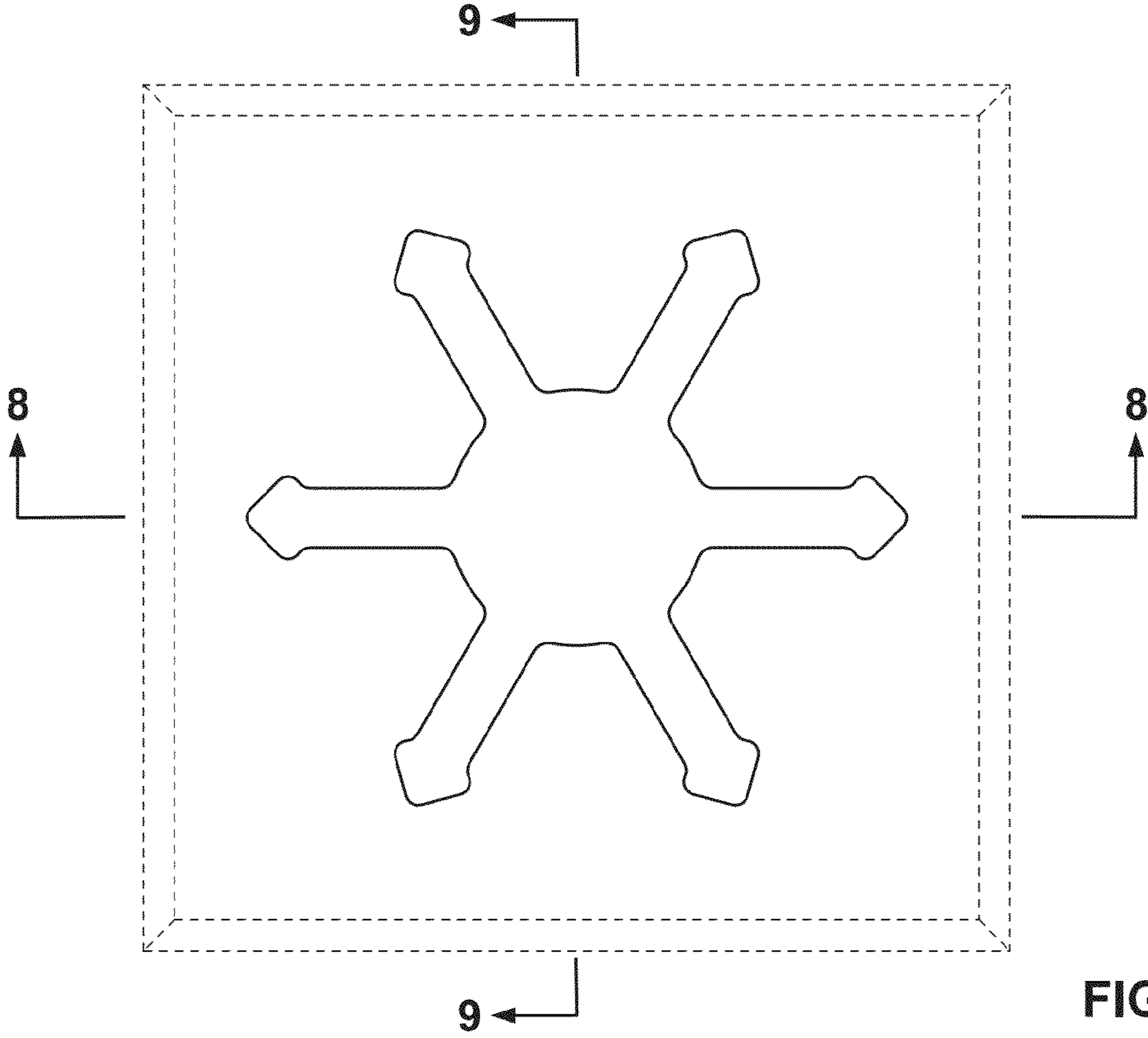


FIG. 5



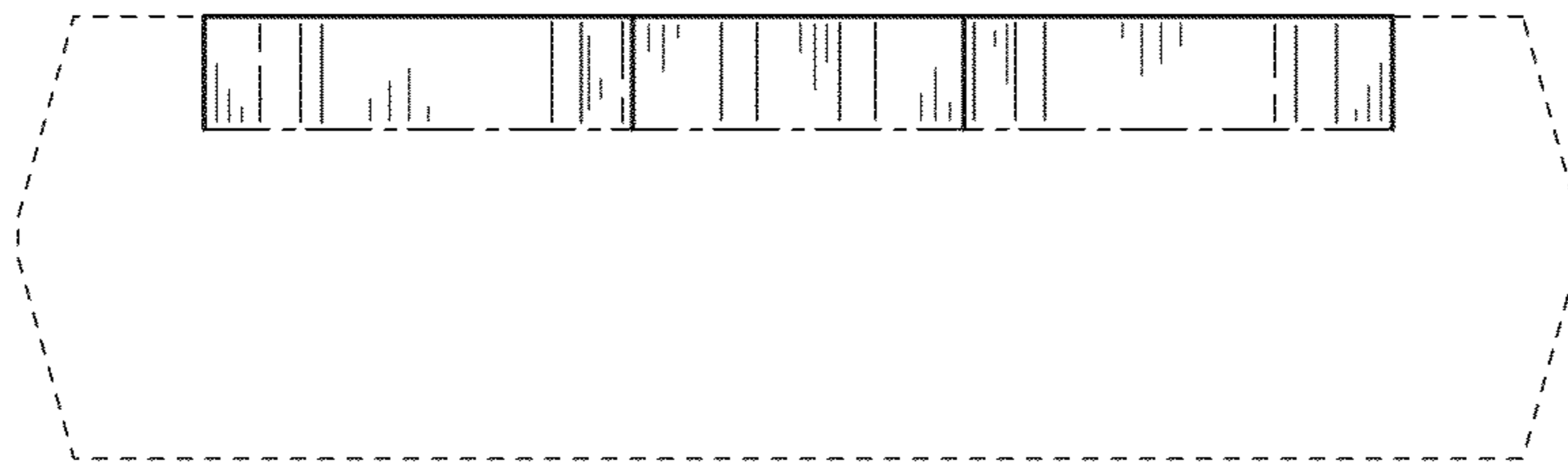


FIG. 8

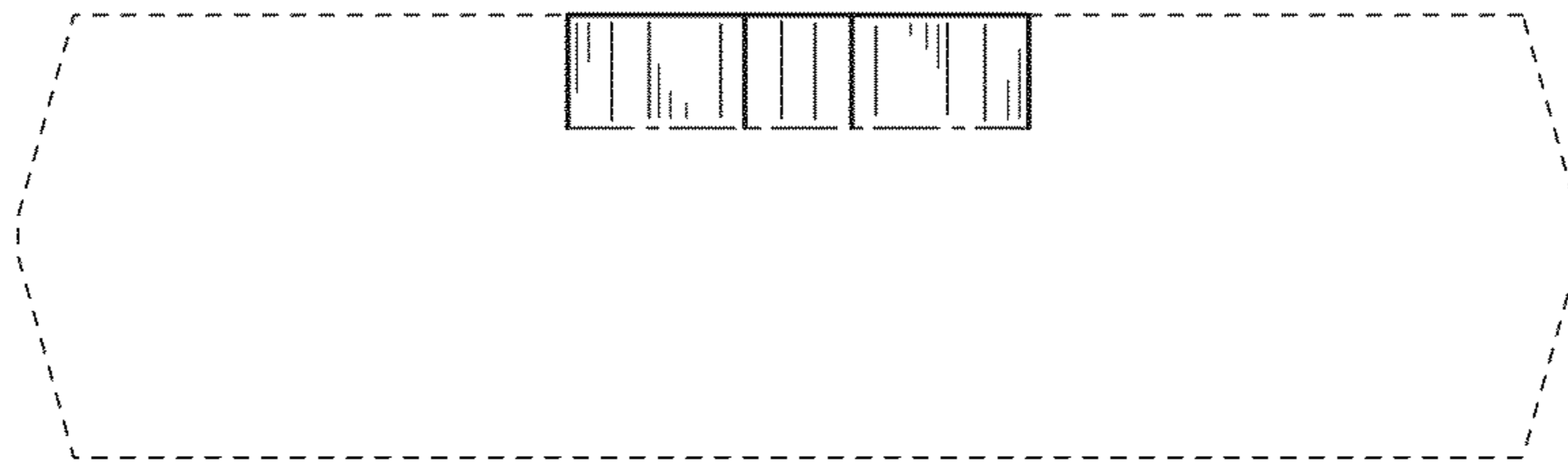


FIG. 9