



US00D743665S

(12) **United States Design Patent**
Muir

(10) **Patent No.:** **US D743,665 S**

(45) **Date of Patent:** **** Nov. 17, 2015**

(54) **GUN SAFE HANDLE WITH BULLETS**

(71) Applicant: **Patrick Muir**, Tempe, AZ (US)

(72) Inventor: **Patrick Muir**, Tempe, AZ (US)

(**) Term: **14 Years**

(21) Appl. No.: **29/470,548**

(22) Filed: **Oct. 22, 2013**

(51) **LOC (10) Cl.** **99-00**

(52) **U.S. Cl.**
USPC **D99/43**

(58) **Field of Classification Search**
USPC D99/28, 34, 35, 36, 43, 99; D8/300,
D8/301, 303, 310, 311, 320, 330, 331,
D8/343; 70/278.7, 285, 278.1, 1.5, 213,
70/417, 422, 277, 311, 332; 109/1 R, 1 V,
109/2, 59 R, 39; 292/347
CPC E05B 65/0075; E05B 65/0078; E05B
65/0082; E05G 1/00; E05G 1/005; E05G
1/02; E05G 1/026; E05G 1/04; E05G 5/00;
E05G 5/003; E05G 7/001; E05G 2700/00;
E05G 2700/02; A45C 1/12
See application file for complete search history.

(56) **References Cited**

U.S. PATENT DOCUMENTS

1,104,765	A *	7/1914	Baloun	109/59 R
D75,842	S *	7/1928	Hanson et al.	D99/43
1,693,048	A *	11/1928	Paca	109/63
D181,324	S *	10/1957	Strickland	D99/43
2,918,883	A *	12/1959	Graber et al.	109/61
D354,836	S	1/1995	Crosby		
D487,835	S	3/2004	Lynch et al.		
D493,270	S	7/2004	Lynch et al.		
D512,195	S *	11/2005	Gartner	D99/43
D659,944	S *	5/2012	Pendleton	D99/28

D692,205	S *	10/2013	Muir	D99/43
D693,985	S *	11/2013	Crosby	D99/43
D694,485	S *	11/2013	Crosby	D99/43
D714,515	S *	9/2014	Measom et al.	D99/43
D715,015	S *	10/2014	Measom et al.	D99/43

OTHER PUBLICATIONS

Barrett Gun Safes Catalog, http://www.amsecusa.com/uploadedImages/Products/Product_Catalog/Gun_Safe/Barrett/Product_List/Barrett7240.jpg, http://s3.amsecusa.com.s3.amazonaws.com/literature/2012_Barrett.pdf.

* cited by examiner

Primary Examiner — Elizabeth J Oswecki

(74) *Attorney, Agent, or Firm* — Adam R. Stephenson, LTD.

(57) **CLAIM**

The ornamental design for a gun safe handle with bullets, as shown and described.

DESCRIPTION

This application is a continuation-in-part of related to U.S. Design patent application Ser. No. 29/446,555, filed on Feb. 25, 2013, for a Gun Safe Handle, the specifications and drawings of which are, by this reference, hereby incorporated herein in their entireties.

FIG. 1 is a perspective view of a gun safe handle with bullets showing my new design;

FIG. 2 is another perspective view thereof;

FIG. 3 is a right side view thereof;

FIG. 4 is a front view thereof;

FIG. 5 is a top view thereof;

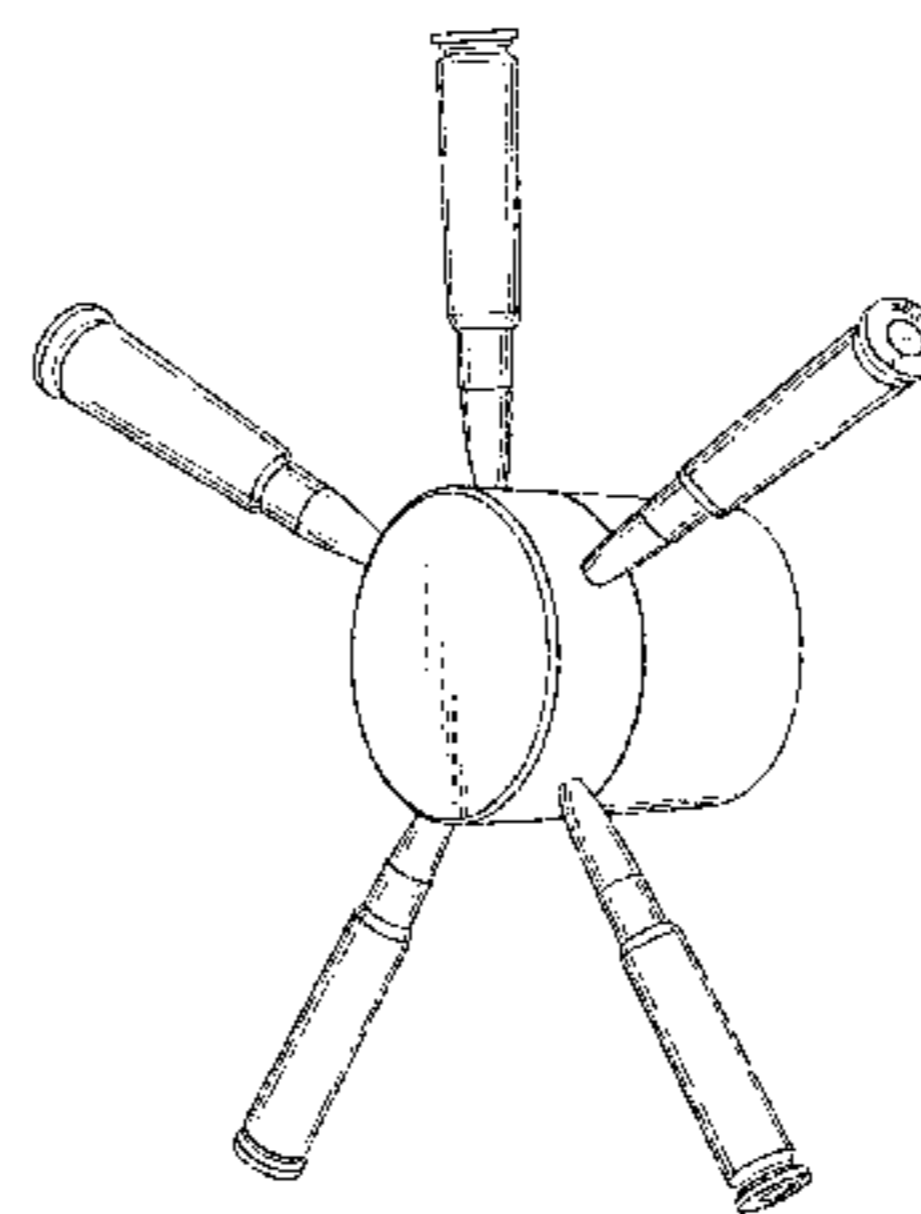
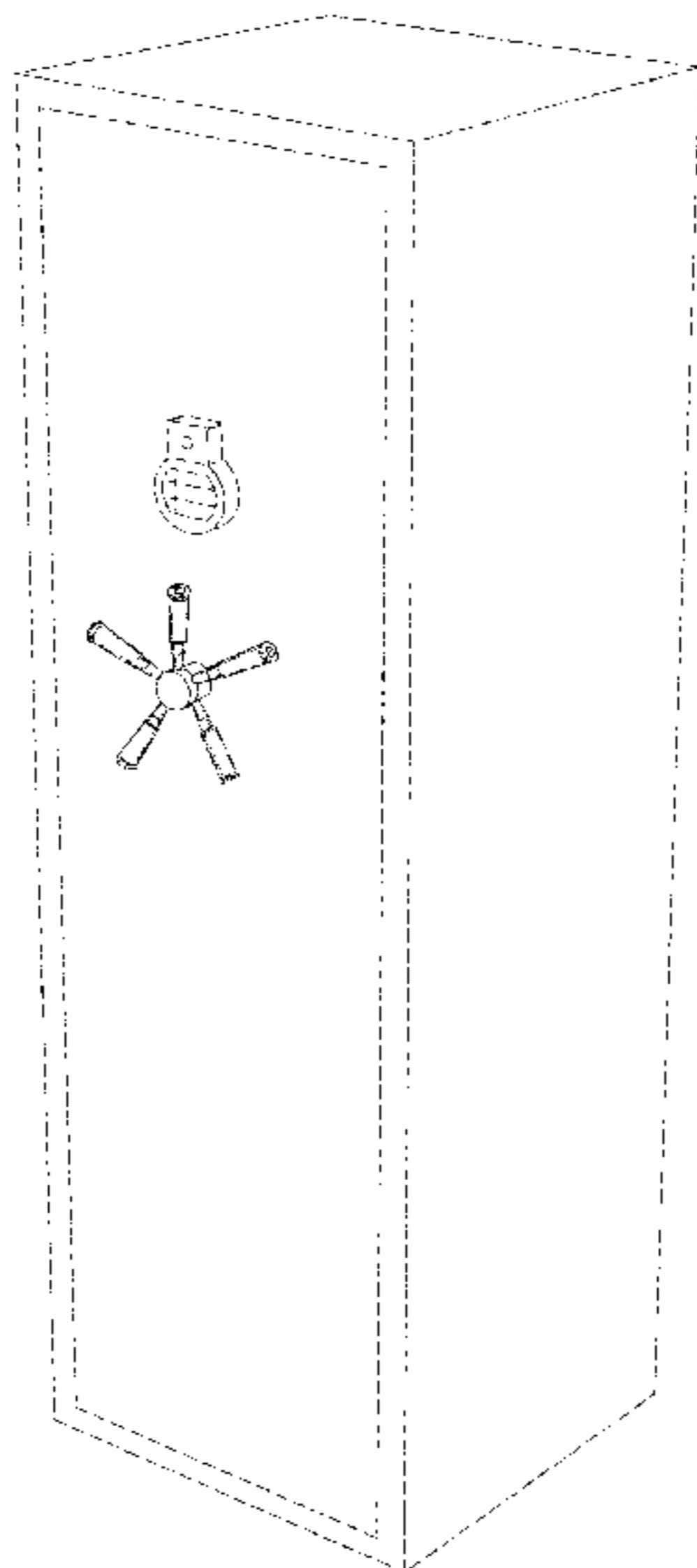
FIG. 6 is a back view thereof; and,

FIG. 7 is a bottom view thereof.

The broken lines shown in the drawings form no part of the claimed design.

All surfaces not shown form no part of the claimed design.

1 Claim, 3 Drawing Sheets



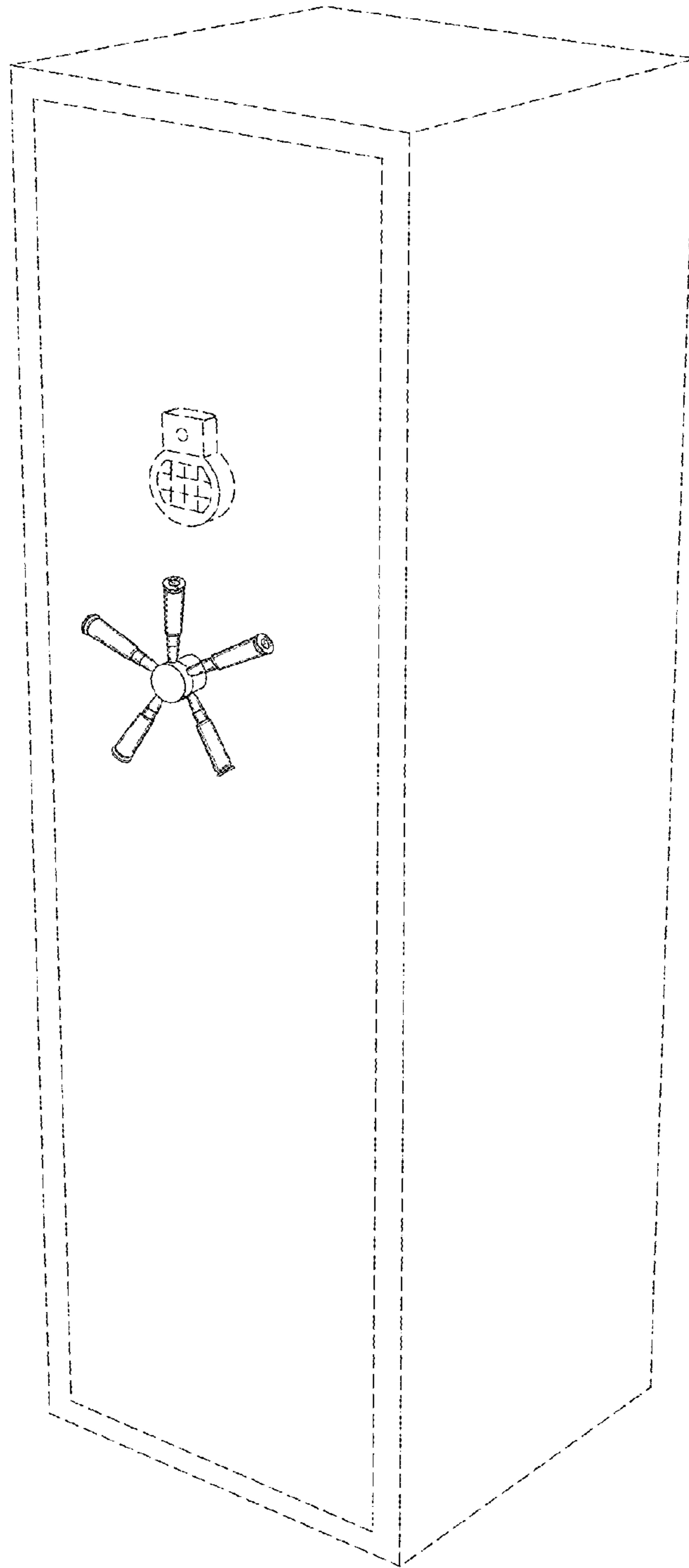


Fig. 1

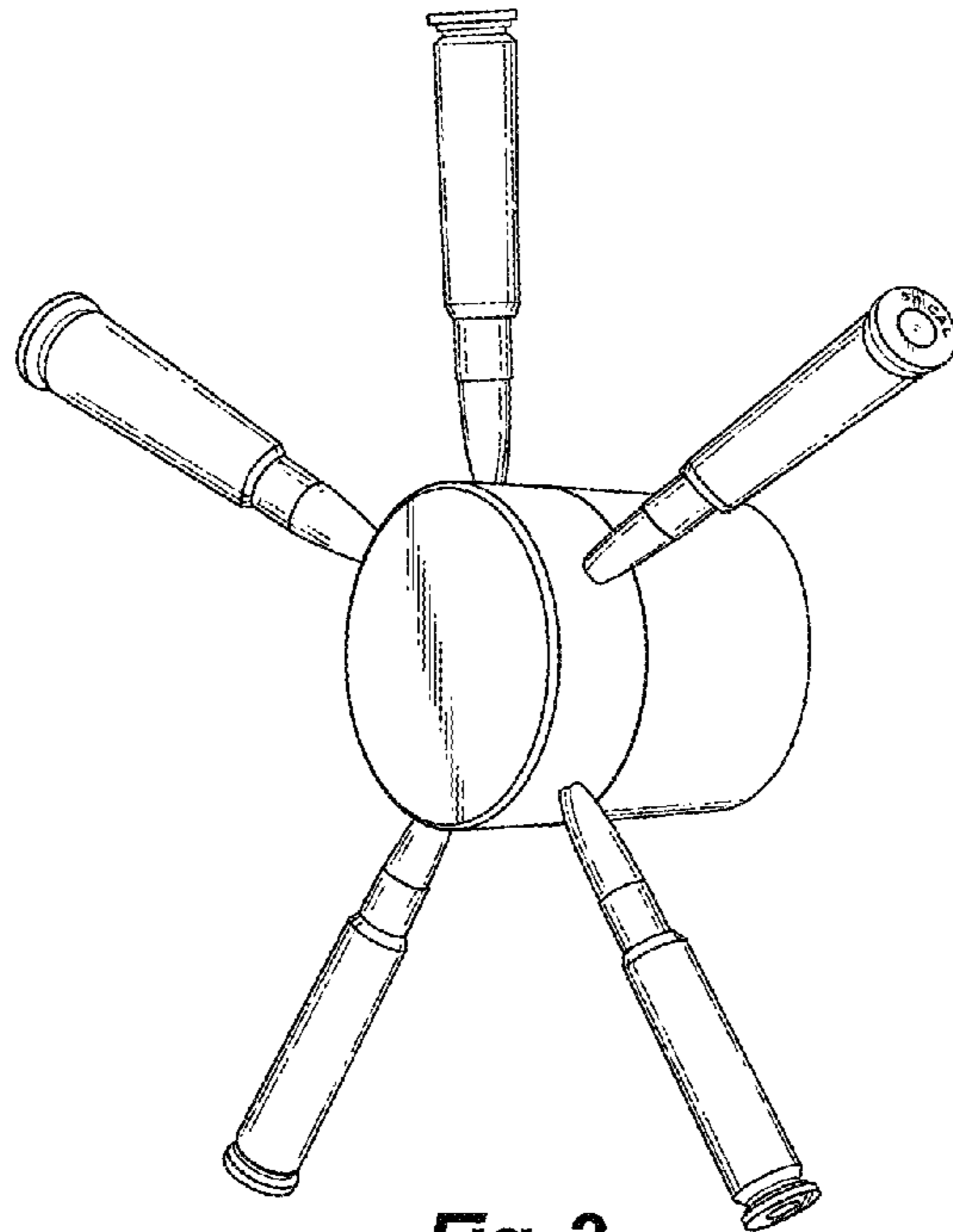


Fig. 2

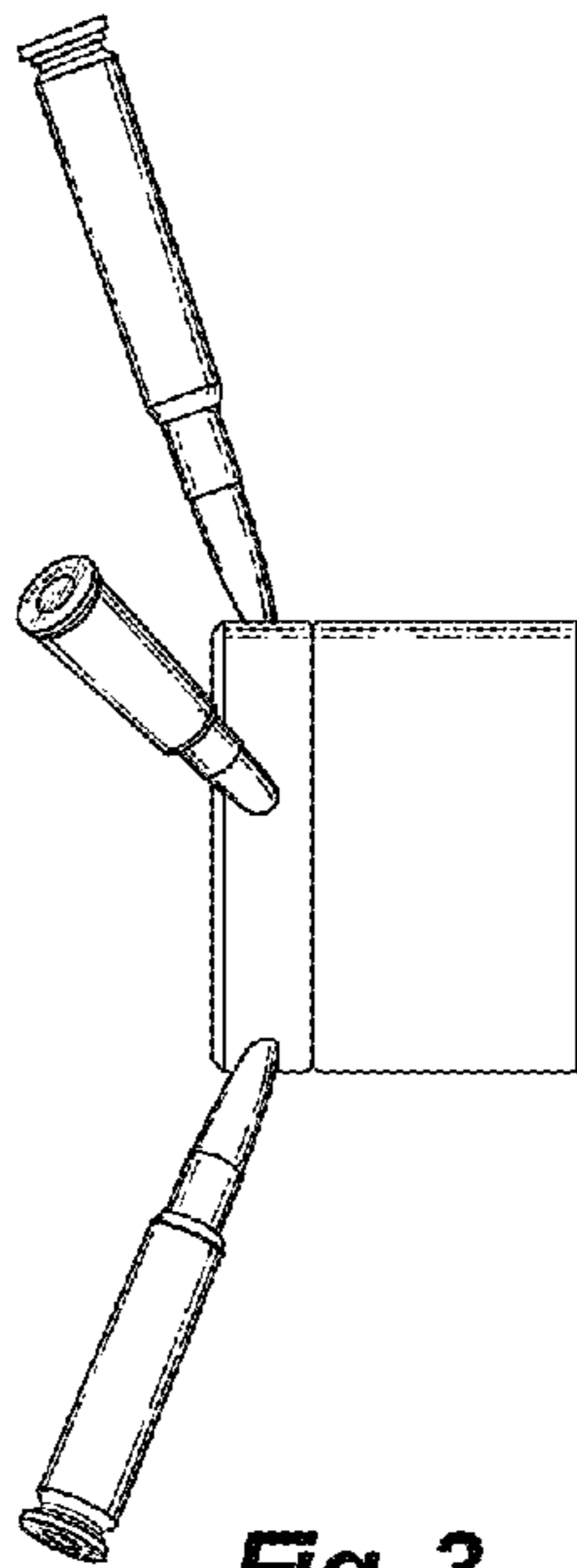


Fig. 3

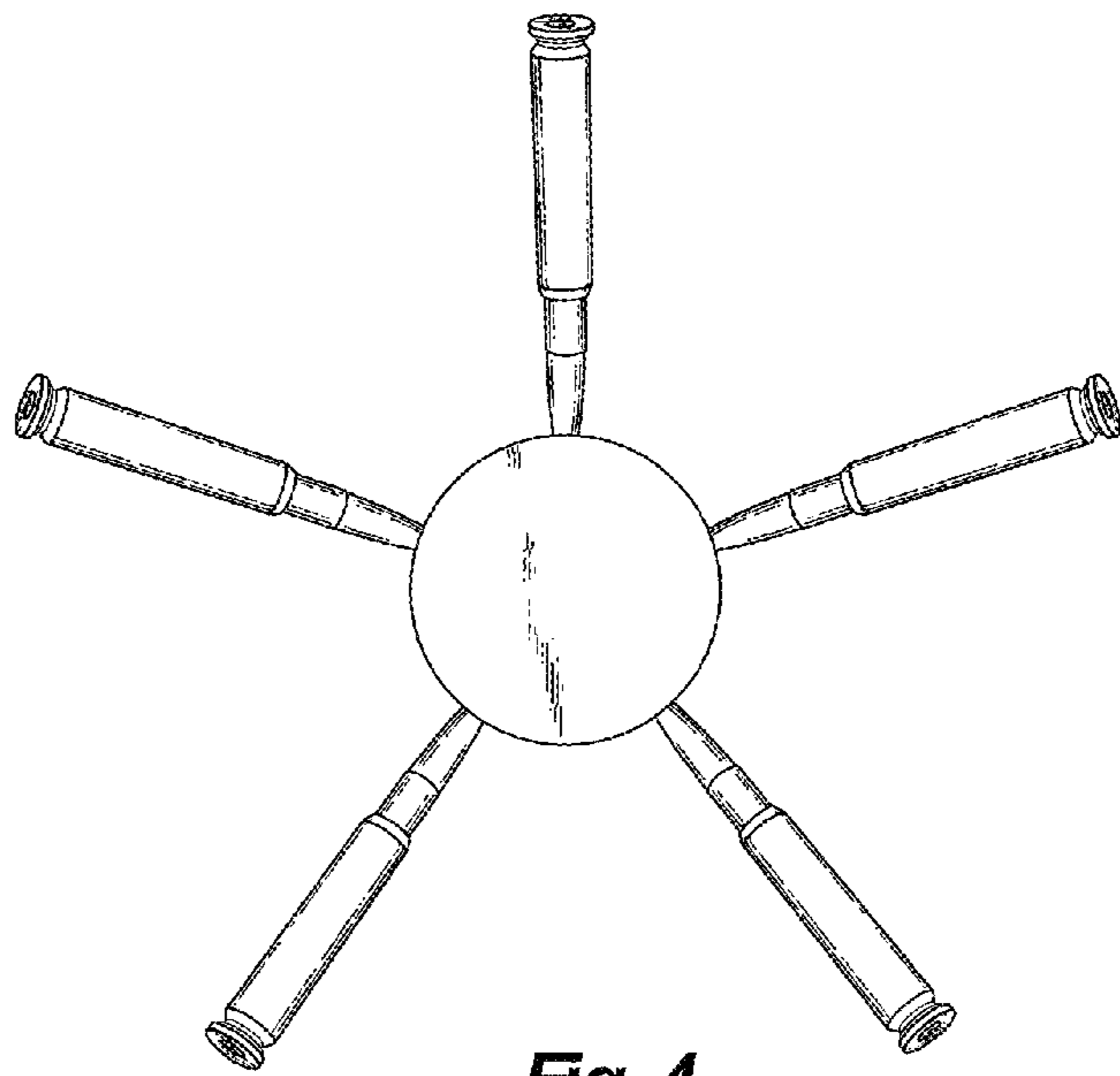


Fig. 4

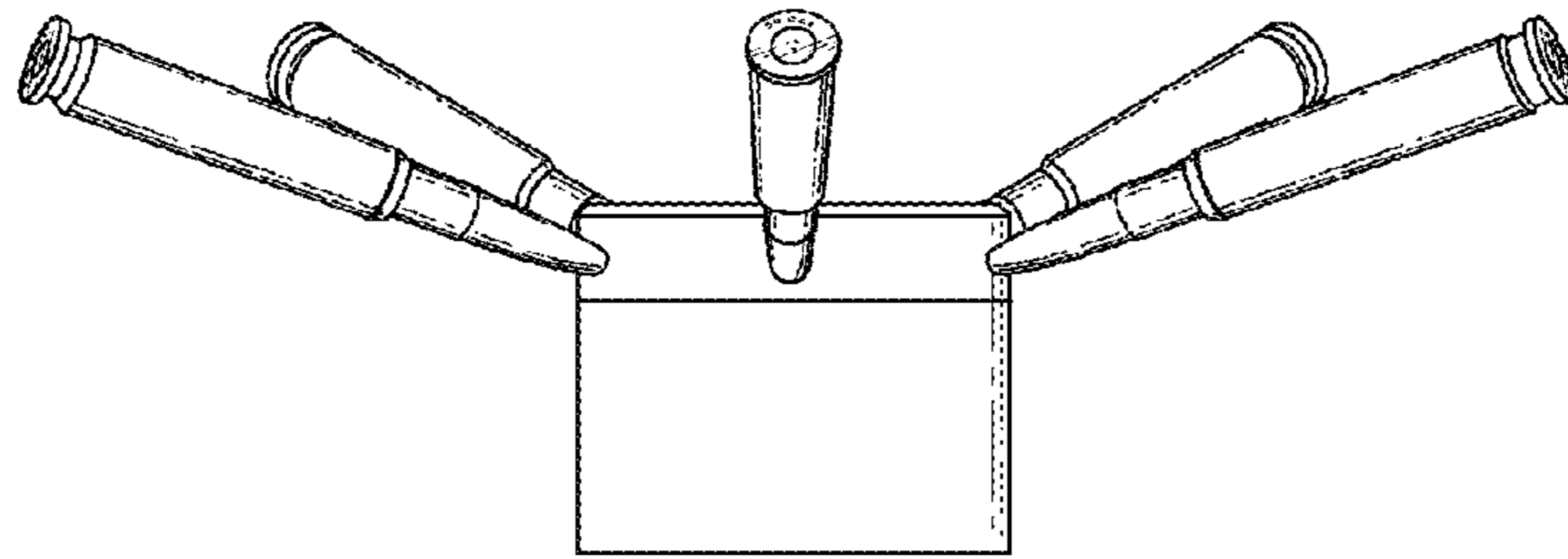


Fig 5

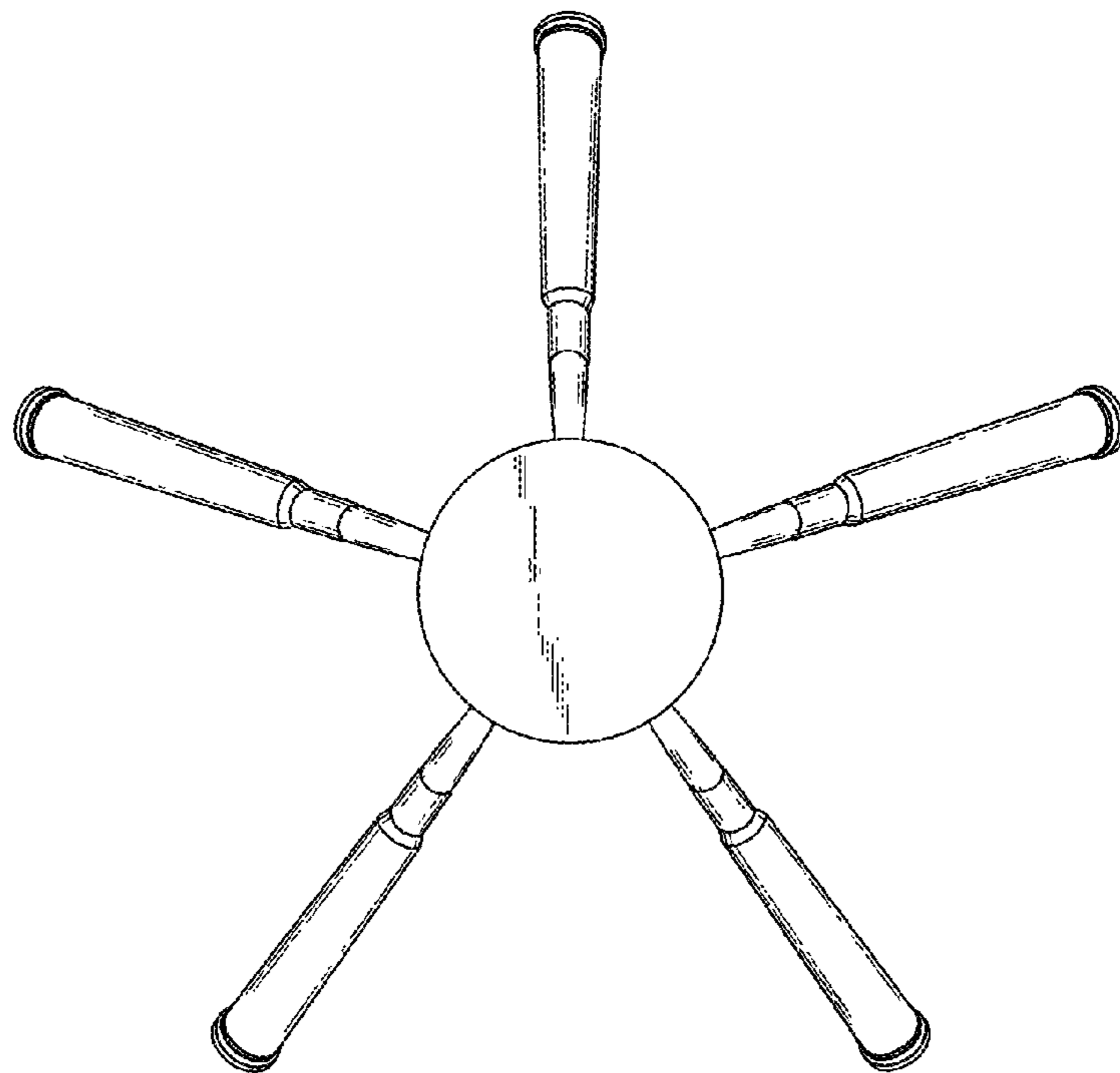


Fig 6

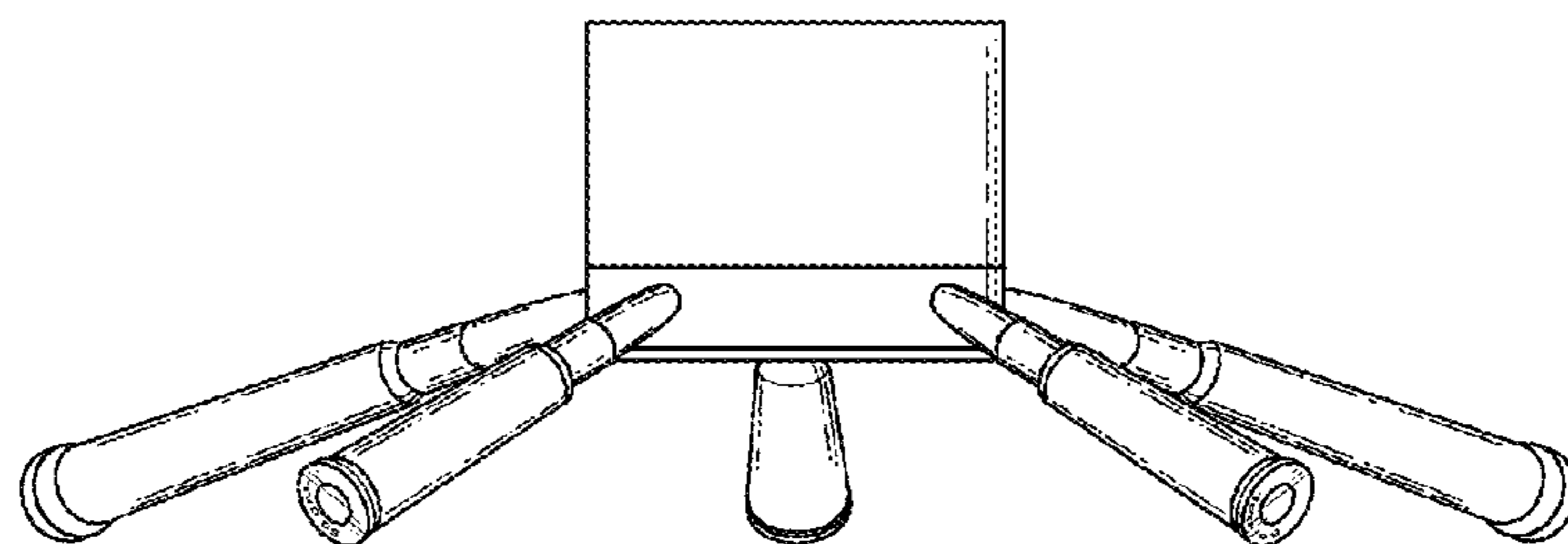


Fig 7