



US00D743664S

(12) **United States Design Patent**
Schlothauer

(10) **Patent No.:** **US D743,664 S**
(45) **Date of Patent:** **** Nov. 17, 2015**

- (54) **LINK FOR LIFTING DEVICE**
- (71) Applicant: **Timothy Craig Schlothauer**,
Mechanicsville, VA (US)
- (72) Inventor: **Timothy Craig Schlothauer**,
Mechanicsville, VA (US)
- (**) Term: **14 Years**
- (21) Appl. No.: **29/498,738**
- (22) Filed: **Aug. 7, 2014**
- (51) **LOC (10) Cl.** **12-05**
- (52) **U.S. Cl.**
USPC **D34/28**
- (58) **Field of Classification Search**
USPC D34/28-37; D8/499; 198/851, 838,
198/853, 850, 834; 474/212, 229, 230, 242;
294/82.35, 63.1; 74/469; 187/226, 233
CPC F16G 13/10; F16G 13/12; F16G 13/16;
B65B 3/02; B65B 49/14; B65B 51/00; B65B
61/24; B65B 61/28; B65B 7/08; B66C 1/666;
B66C 1/26
See application file for complete search history.

- D473,032 S * 4/2003 Altom D34/29
- D505,764 S * 5/2005 McDaniel D34/29
- D528,259 S * 9/2006 Layne D34/29
- D640,030 S * 6/2011 Fukuma D34/28
- 8,038,560 B2 * 10/2011 Lou F16G 5/18
474/212
- D655,882 S * 3/2012 Franzaroli D34/29
- 8,172,289 B2 * 5/2012 MacKay Sim E04G 21/142
294/82.35
- D672,523 S * 12/2012 Taylor D34/28
- 2005/0198937 A1 * 9/2005 Komiya F16G 13/16
59/78.1

* cited by examiner

Primary Examiner — Cynthia Ramirez
Assistant Examiner — Gino Colan
(74) *Attorney, Agent, or Firm* — Brian J. Teague

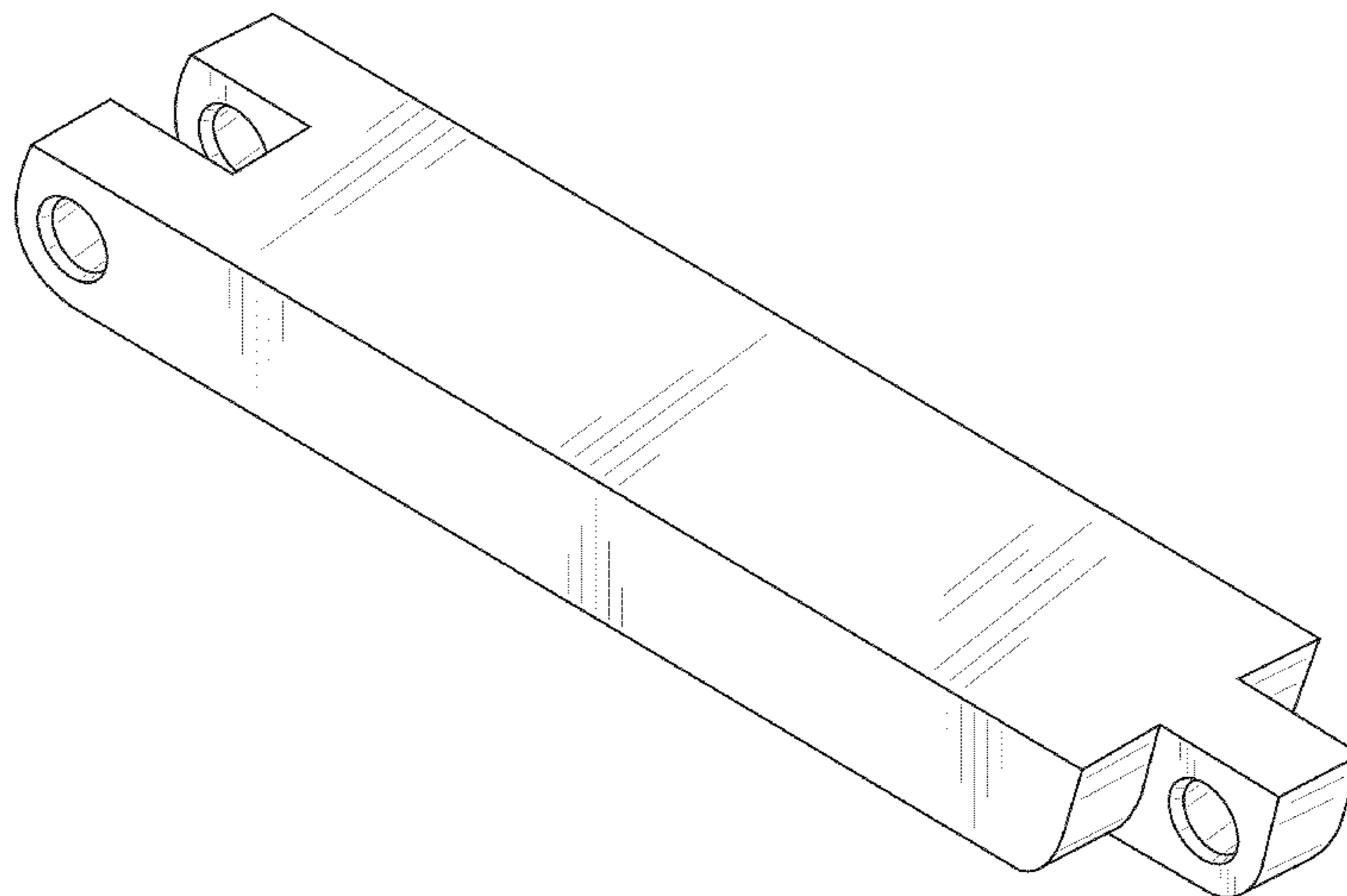
(57) **CLAIM**
I claim the ornamental design for a link for a lifting device, as shown and described.

DESCRIPTION

This application is directed to a link for a lifting device as described in commonly-owned U.S. application Ser. No. 14/445,253, filed Jul. 29, 2014, the contents of which are incorporated herein by reference in their entirety.
FIG. 1 is a perspective view from the top, front, and right side of a link for a lifting device showing the new design.
FIG. 2 is a front view thereof. The rear view is a mirror image of the front view.
FIG. 3 is a top view thereof.
FIG. 4 is a bottom view thereof.
FIG. 5 is a left side view thereof.
FIG. 6 is a right side view thereof.
FIG. 7 is a cross-sectional view thereof, taken along the line FIG. 7-FIG. 7 of FIG. 3; and,
FIG. 8 is a cross-sectional view thereof, taken along the line FIG. 8-FIG. 8 of FIG. 3.

1 Claim, 4 Drawing Sheets

- (56) **References Cited**
U.S. PATENT DOCUMENTS
- 853,129 A * 5/1907 Simpson B65G 17/06
160/235
- D202,814 S * 11/1965 Hall D34/29
- 4,473,365 A * 9/1984 Lapeyre B65G 17/08
198/850
- 4,809,846 A * 3/1989 Hodlewsky B65G 17/086
198/626.6
- 4,832,187 A * 5/1989 Lapeyre B65G 17/08
198/834
- 4,958,977 A 9/1990 Snead
- D420,483 S * 2/2000 Abbestam D34/29
- 6,224,077 B1 * 5/2001 Sheng A47D 1/008
280/87.051



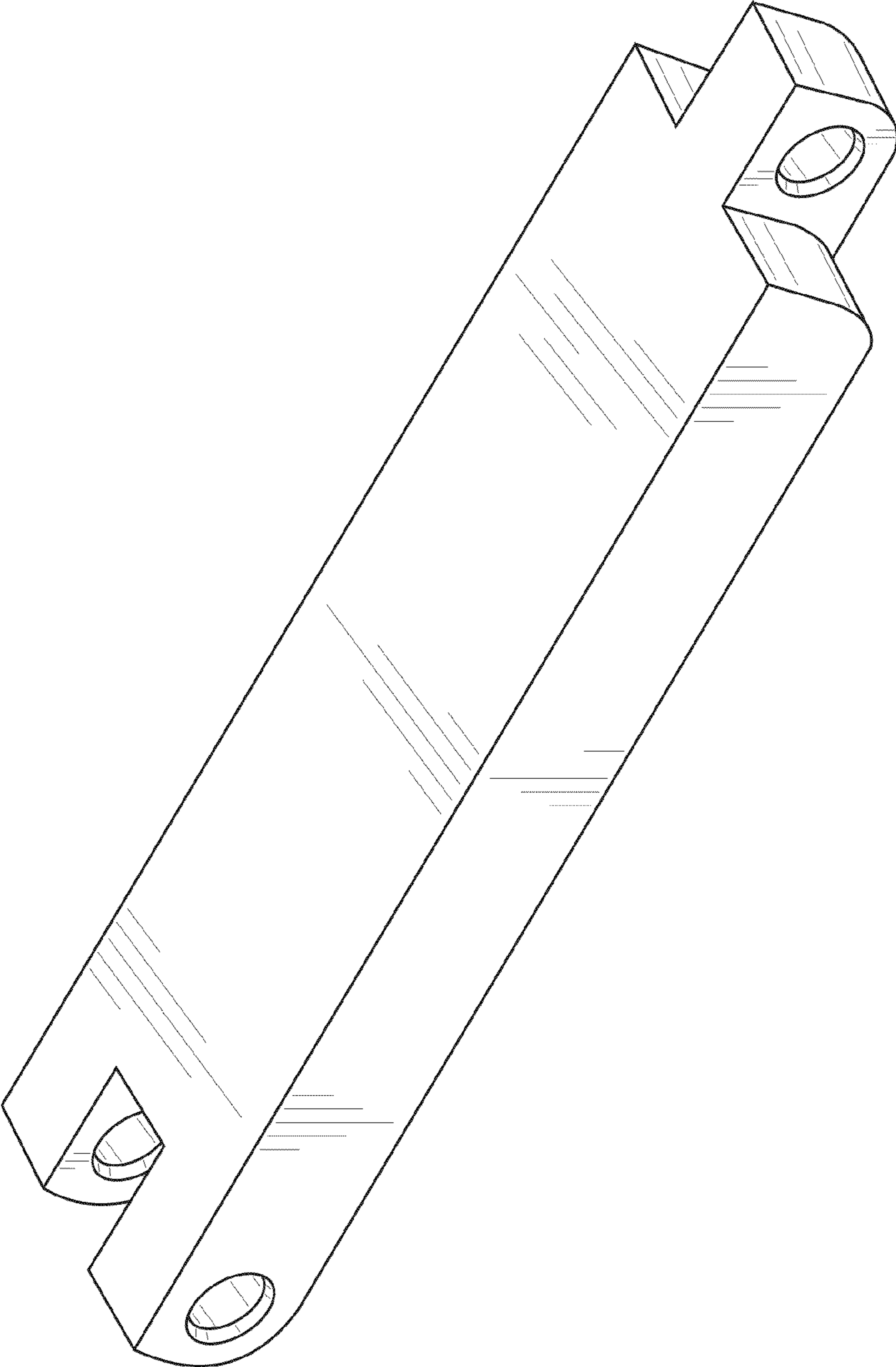


FIG. 1

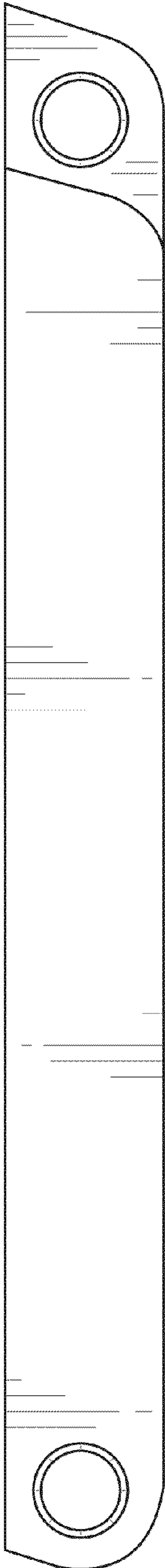


FIG. 2

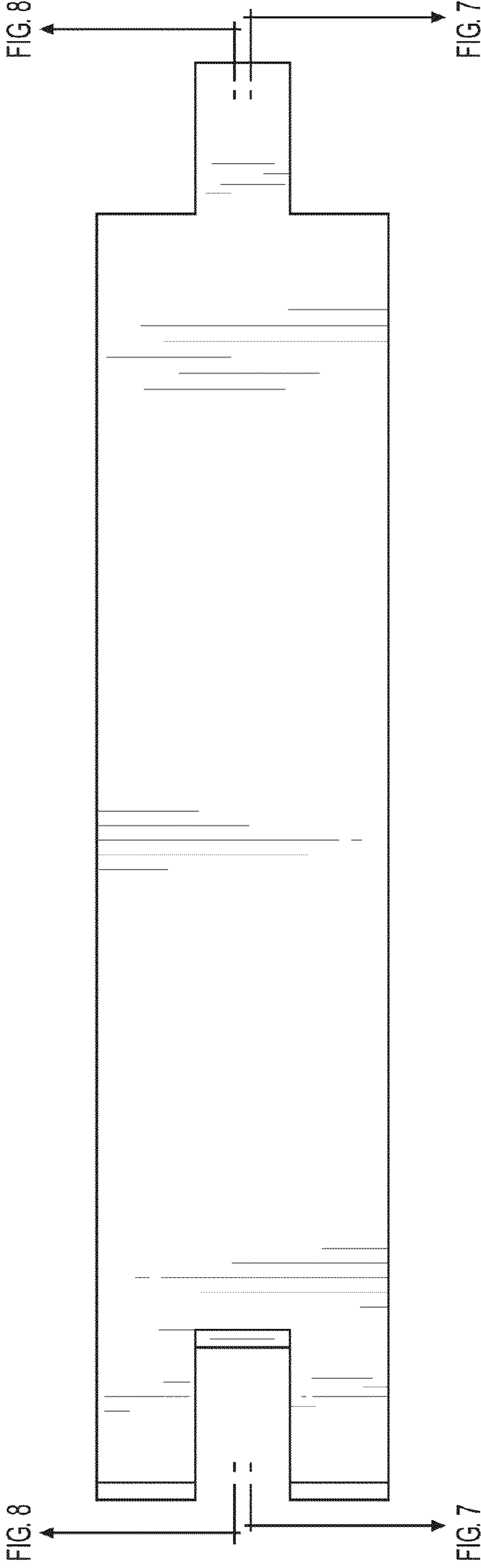


FIG. 3

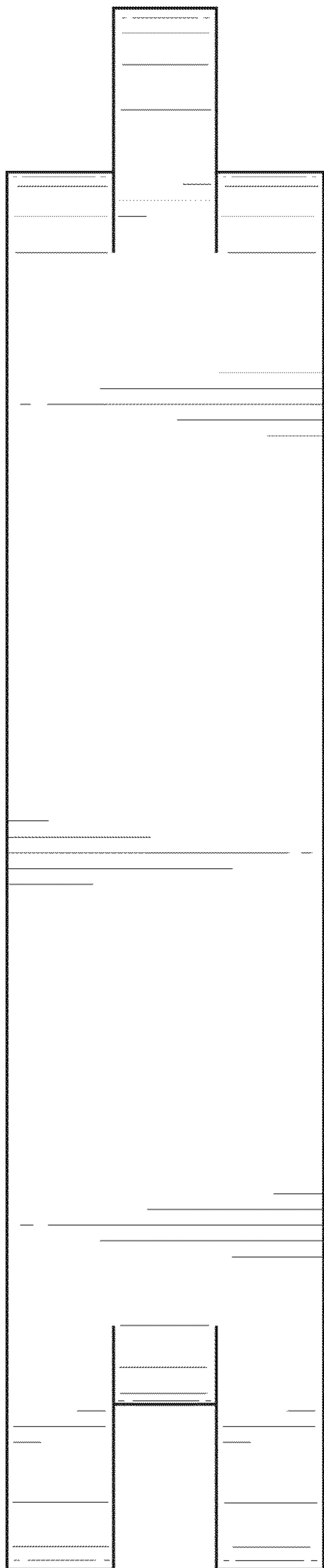


FIG. 4

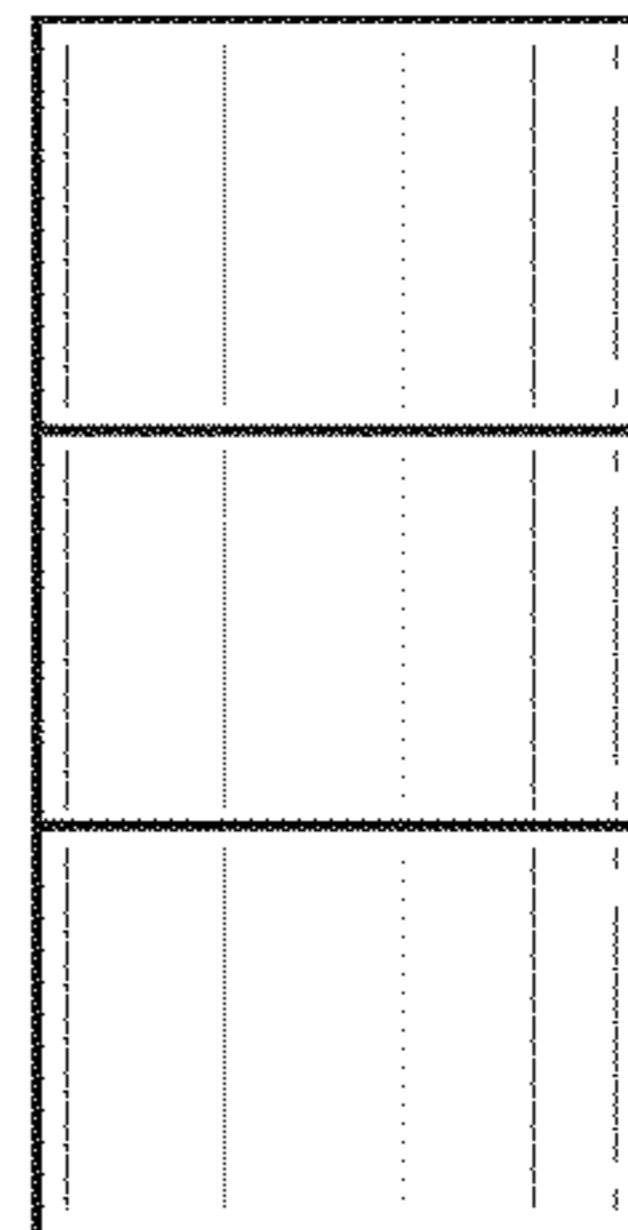


FIG. 5

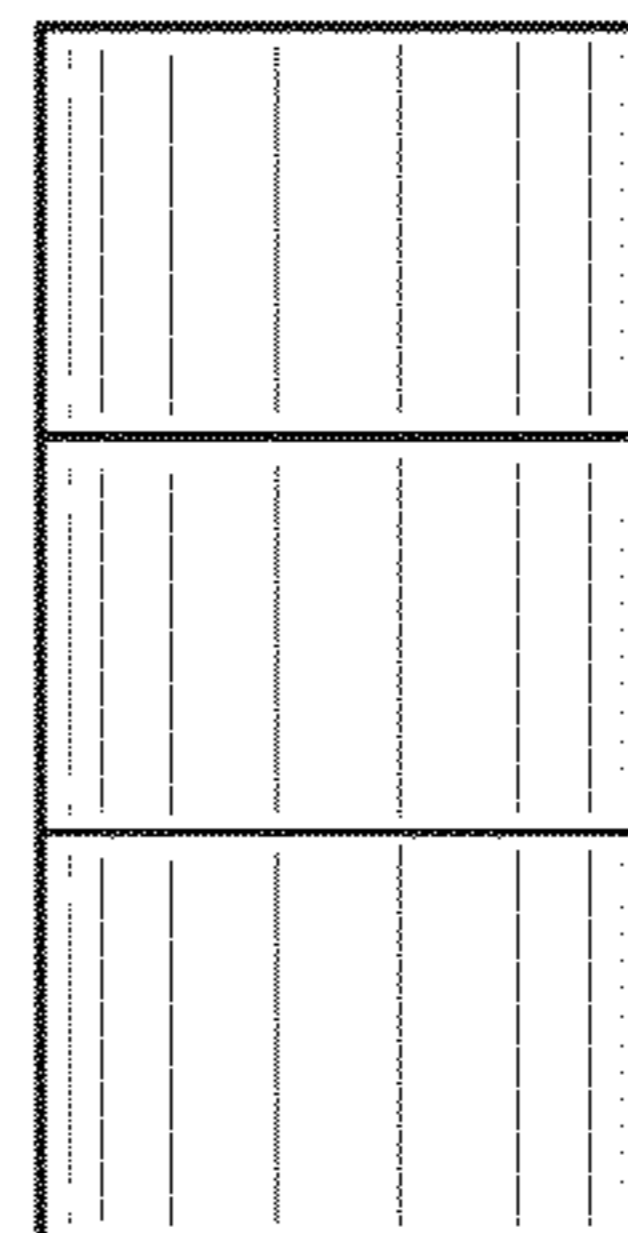


FIG. 6

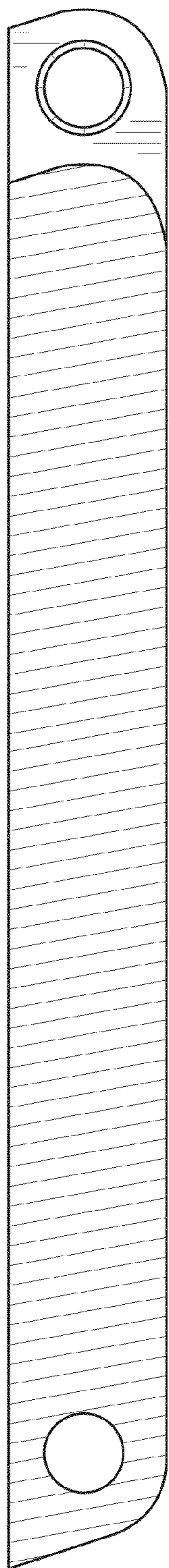


FIG. 7

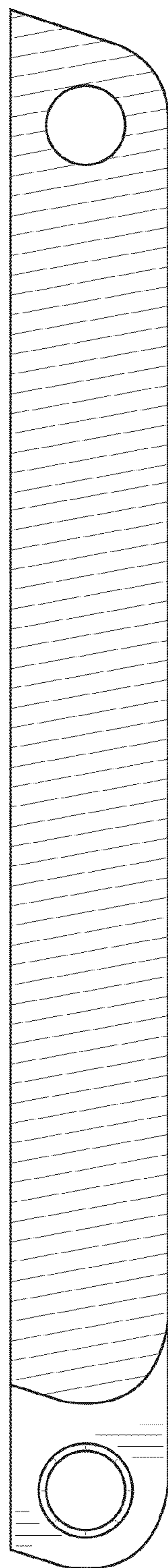


FIG. 8