



US00D743663S

(12) **United States Design Patent**
Hoffheimer

(10) **Patent No.:** **US D743,663 S**
(45) **Date of Patent:** **** Nov. 17, 2015**

(54) **DEVICE HOLDER FOR A CART HANDLE**
(71) Applicant: **Arthur Philip Hoffheimer**, Dayton, OH (US)
(72) Inventor: **Arthur Philip Hoffheimer**, Dayton, OH (US)
(73) Assignee: **Revo-Products, LLC**, Dayton, OH (US)

(**) Term: **14 Years**
(21) Appl. No.: **29/504,152**

(22) Filed: **Oct. 2, 2014**
(51) **LOC (10) Cl.** **12-02**
(52) **U.S. Cl.**
USPC **D34/27**
(58) **Field of Classification Search**
USPC D34/12-27; D25/136, 126, 122, 121, D25/199, 120, 123, 125; 150/154; 280/33.991, 33.992, 33.993; 224/273, 224/277, 42.43; D19/52, 78, 84, 88, 90
CPC B62B 3/1428; B62B 3/1444; B62B 3/1416
See application file for complete search history.

(56) **References Cited**

U.S. PATENT DOCUMENTS

D298,077 S * 10/1988 Goodwin D34/27
D338,560 S * 8/1993 Lundy D34/15
5,820,142 A * 10/1998 Duer B62B 5/069
150/154
D412,609 S * 8/1999 Karp D34/27
D426,929 S * 6/2000 Karp D34/27

6,158,640 A * 12/2000 Karp B62B 3/1408
224/277
D635,733 S * 4/2011 Willig B62B 5/069
D34/27
8,650,715 B2 * 2/2014 Sonnendorfer B62B 5/06
16/421
D707,009 S * 6/2014 Walter D34/27
D732,260 S * 6/2015 Wiley D34/27

* cited by examiner

Primary Examiner — Cynthia Ramirez

Assistant Examiner — Gino Colan

(74) *Attorney, Agent, or Firm* — Taft Stettinius & Hollister, LLP; Stephen F. Rost

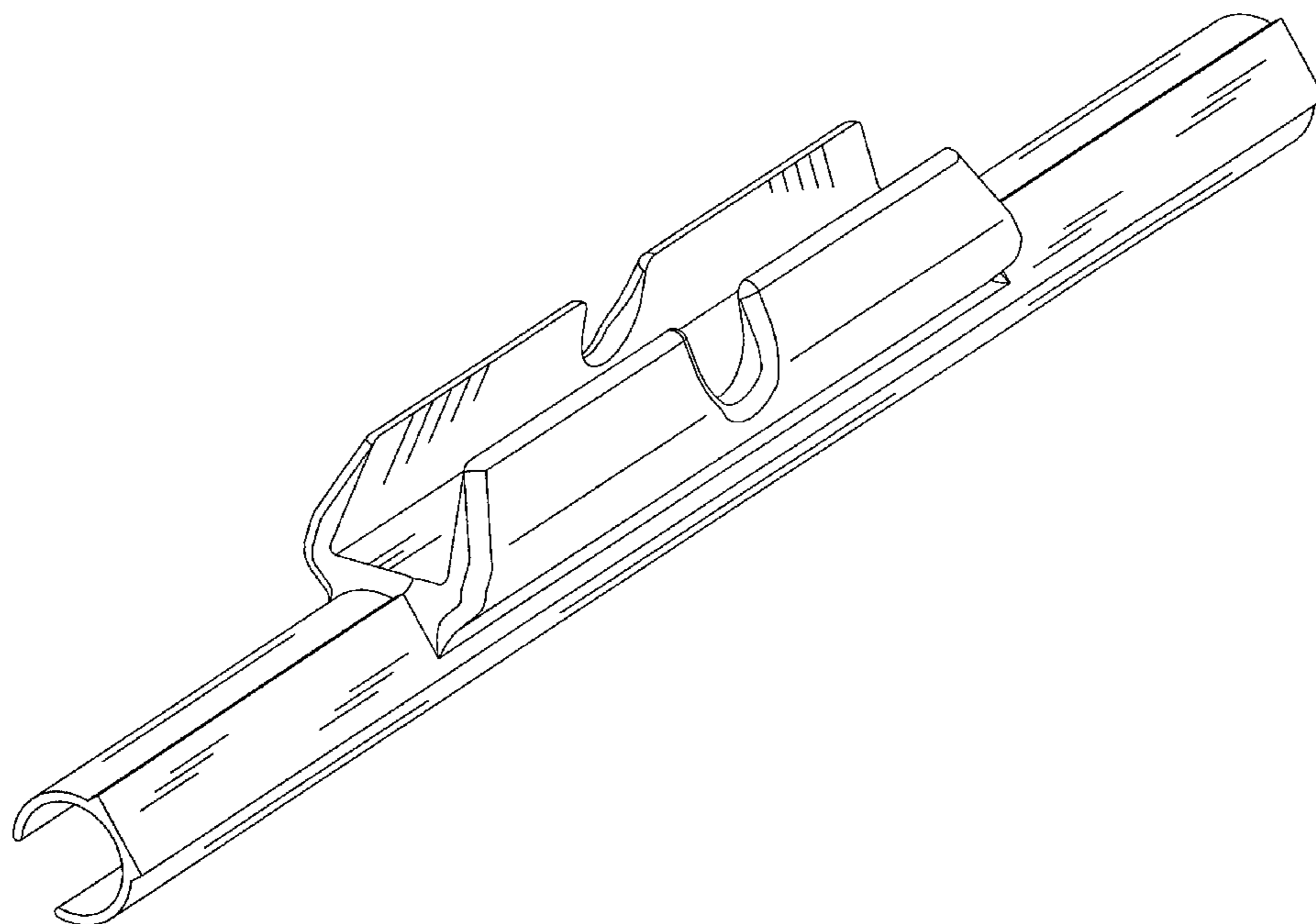
(57) **CLAIM**

The ornamental design for a device holder for a cart handle, as shown and described.

DESCRIPTION

FIG. 1 is a perspective view of a device holder for a cart handle showing my new design;
FIG. 2 is a front perspective view thereof
FIG. 3 is a rear perspective view thereof;
FIG. 4 is a front view thereof;
FIG. 5 is a rear view thereof;
FIG. 6 is a top view thereof;
FIG. 7 is a bottom view thereof;
FIG. 8 is a left side view thereof; and,
FIG. 9 is a right side view thereof.
The broken line shown in the figures are included for the purpose of illustrating environment and form no part of the claimed design.

1 Claim, 6 Drawing Sheets



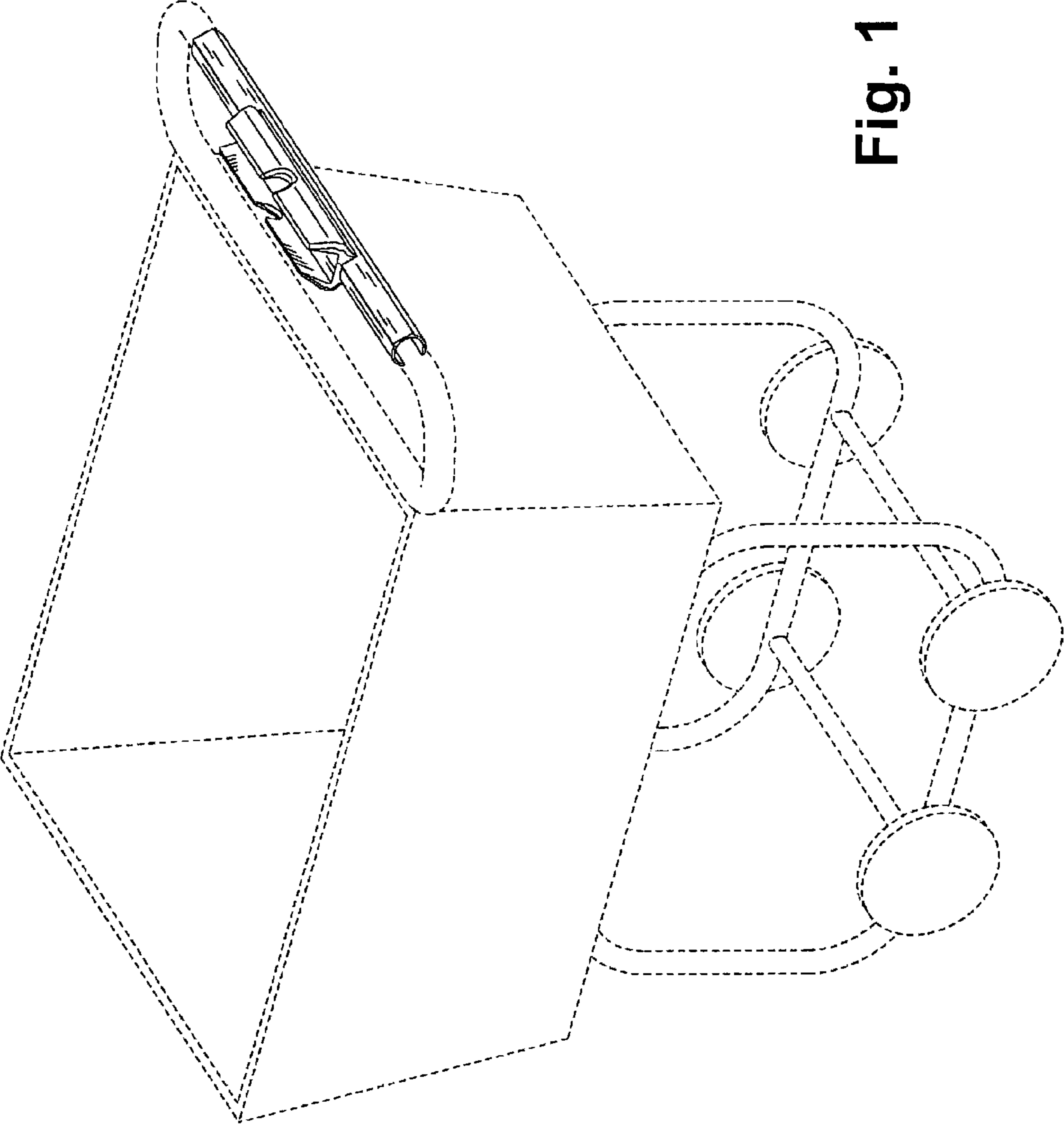


Fig. 1

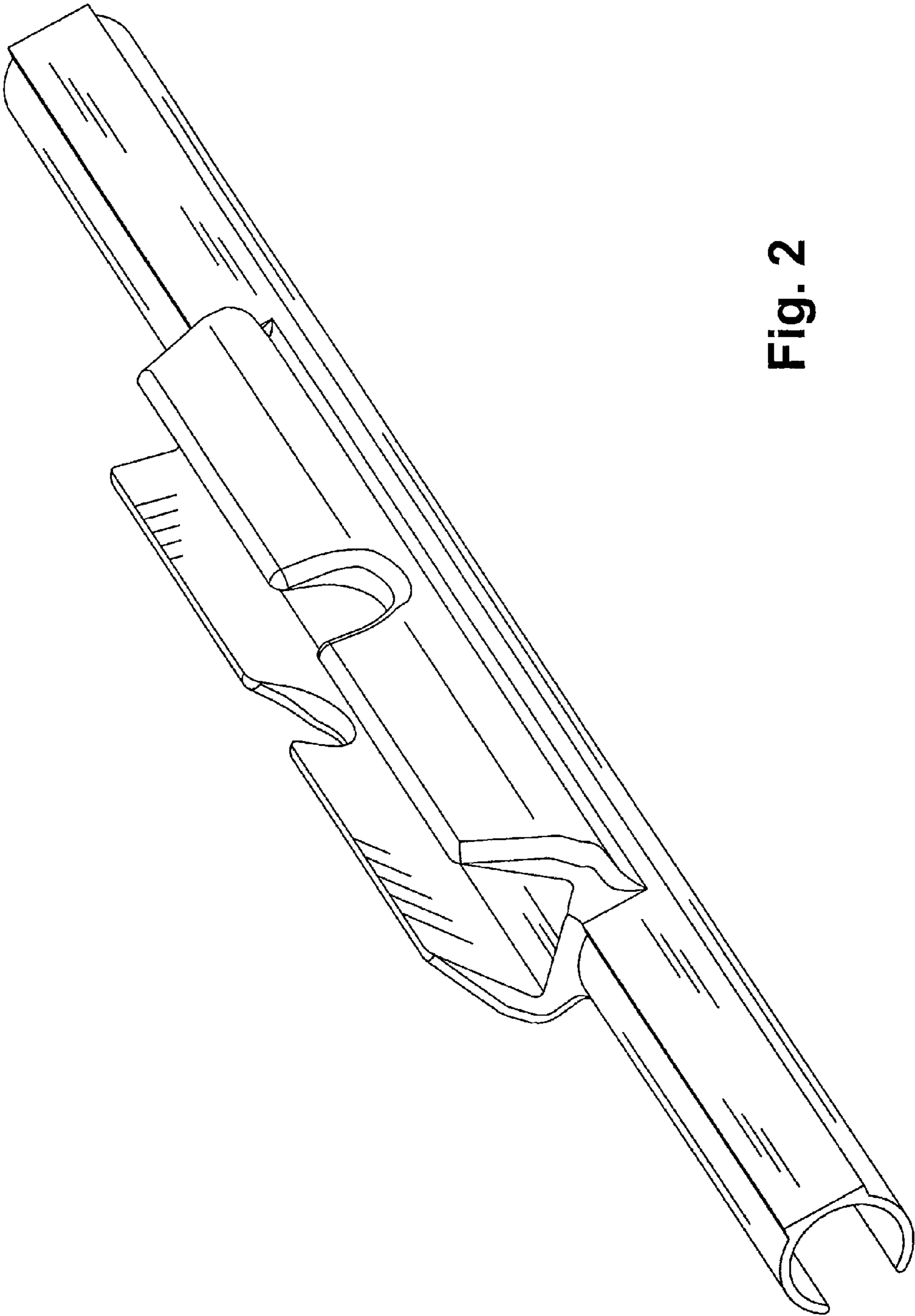


Fig. 2

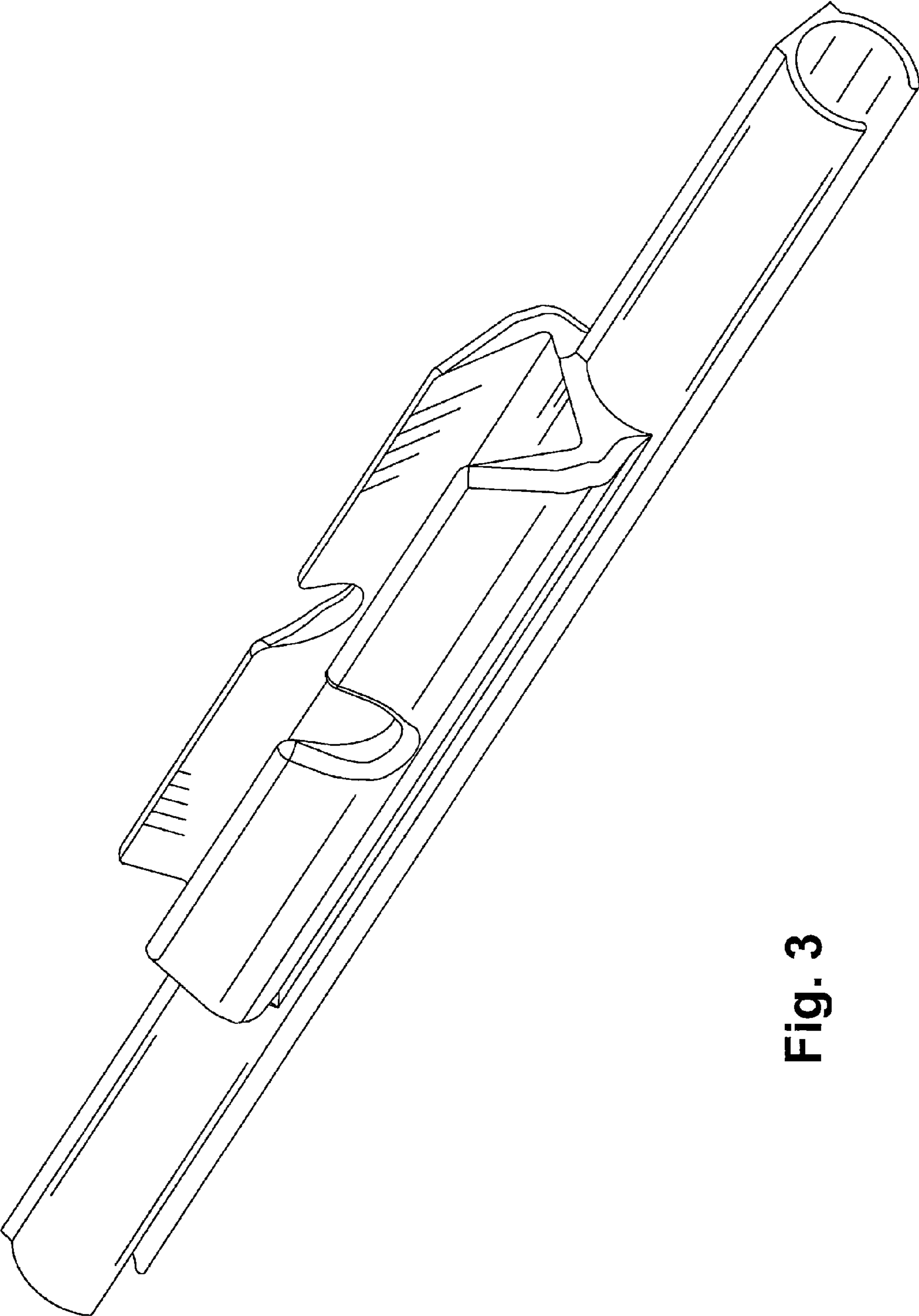


Fig. 3

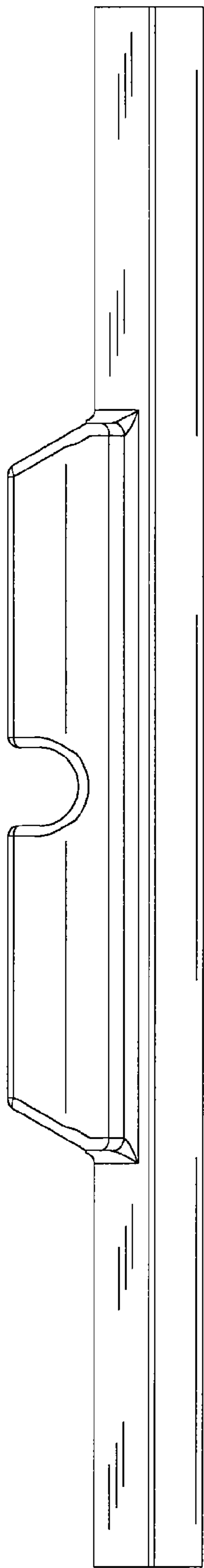


Fig. 4

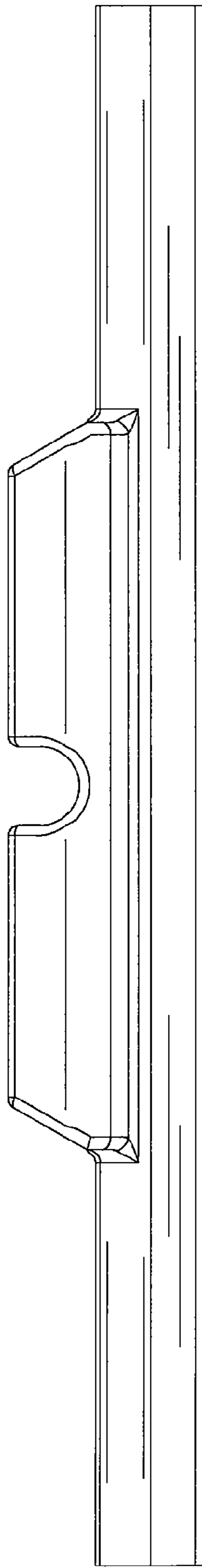


Fig. 5

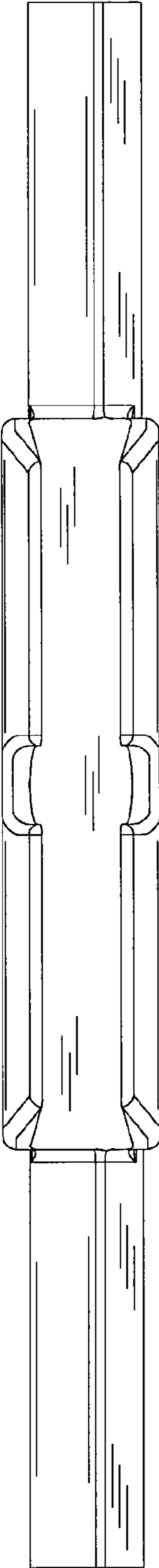


Fig. 6

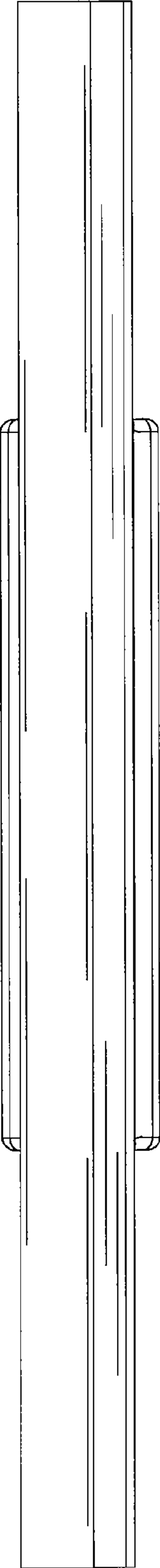


Fig. 7

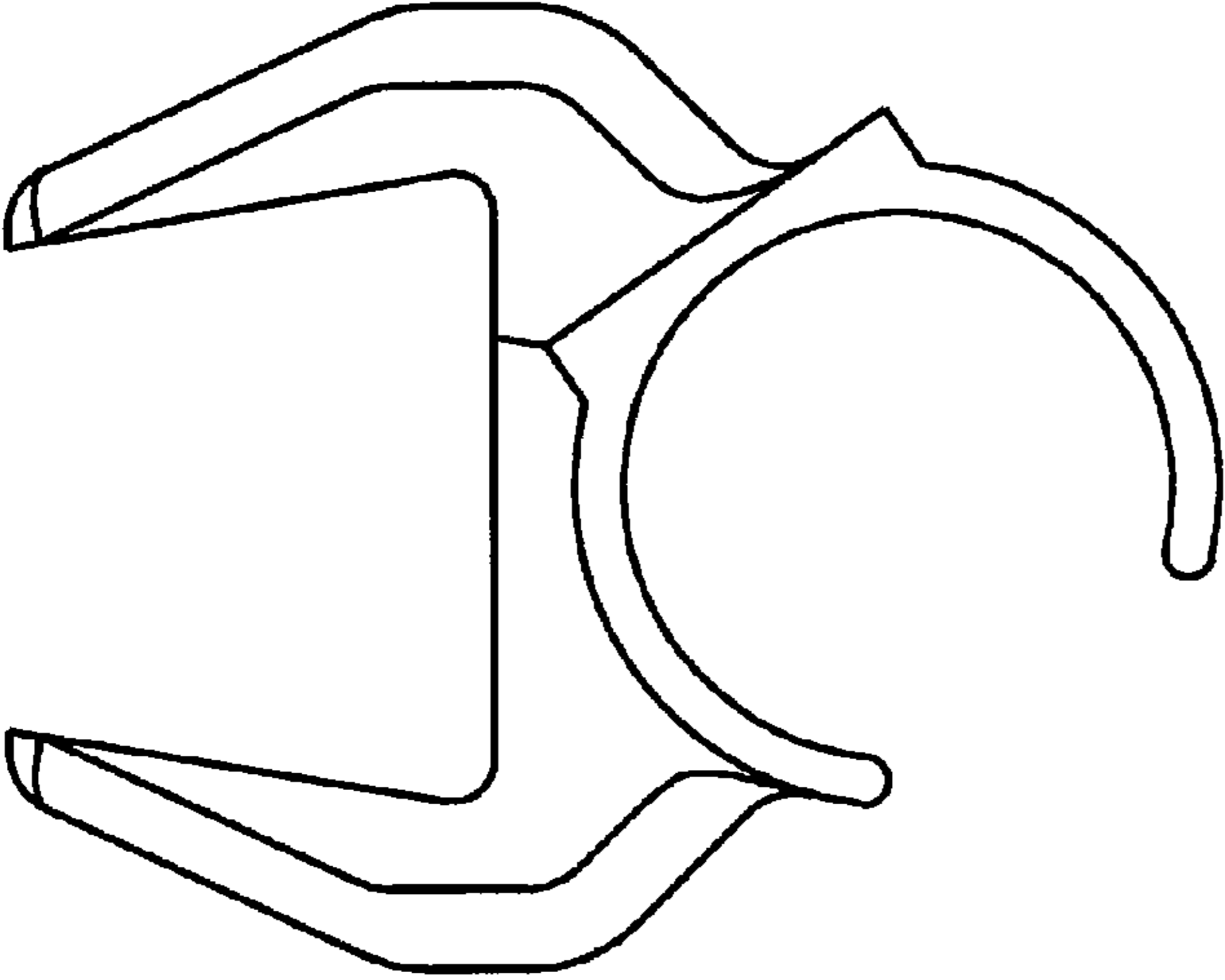


Fig. 8

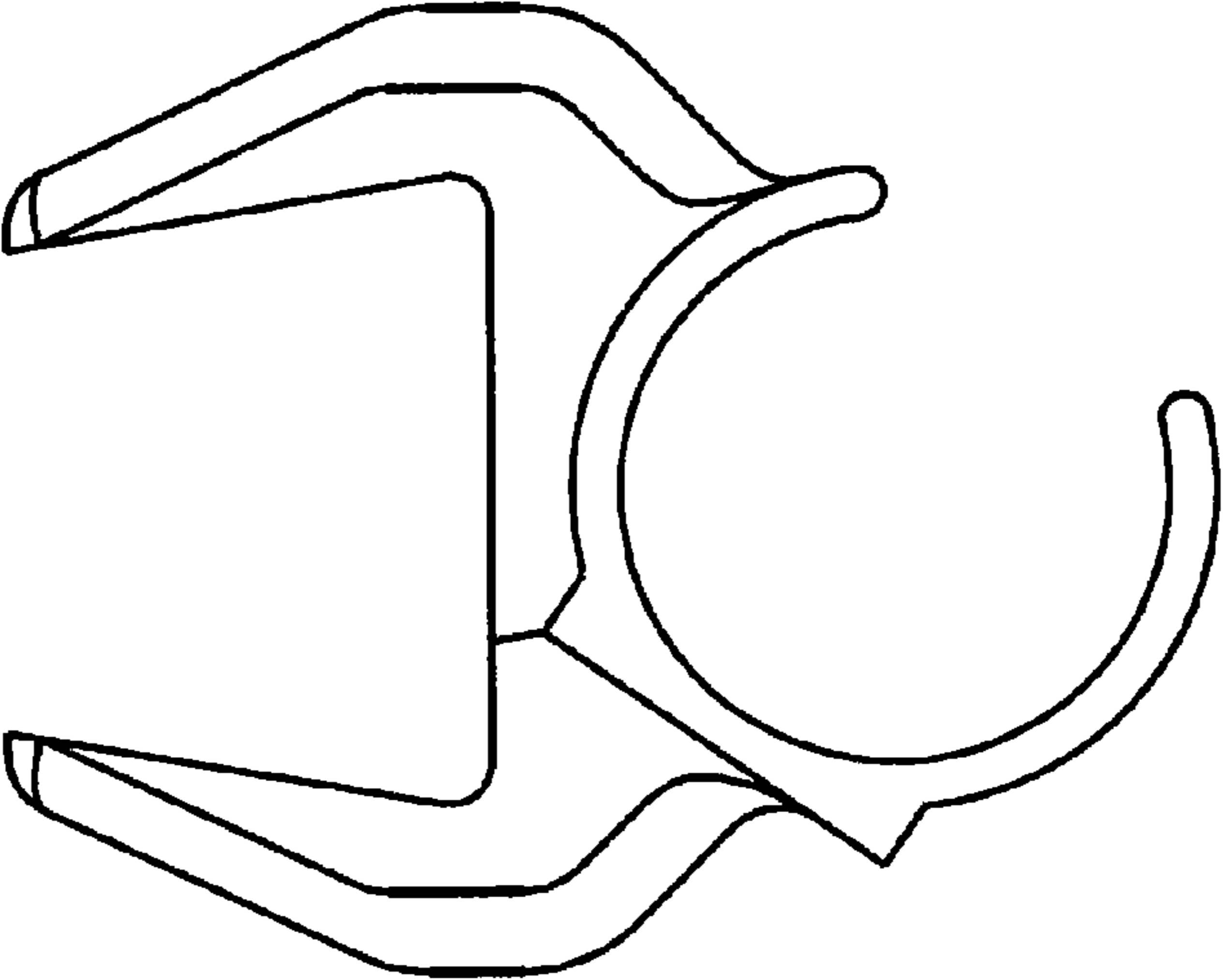


Fig. 9