



US00D743662S

(12) **United States Design Patent**
Osborn et al.

(10) **Patent No.:** **US D743,662 S**
(45) **Date of Patent:** **** Nov. 17, 2015**

- (54) **IRON**
- (71) Applicant: **Morphy Richards Limited**, South Yorkshire (GB)
- (72) Inventors: **Dean Osborn**, South Yorkshire (GB); **Glyn Hauser**, South Yorkshire (GB)
- (73) Assignee: **Morphy Richards Limited**, South Yorkshire (GB)
- (**) Term: **14 Years**
- (21) Appl. No.: **29/509,971**
- (22) Filed: **Nov. 24, 2014**
- (30) **Foreign Application Priority Data**

3,292,283 A	12/1966	Hanner
4,117,612 A	10/1978	Baumgartner et al.
4,122,615 A	10/1978	Baumgartner et al.
4,835,363 A	5/1989	Hoffmann
5,392,542 A	2/1995	Chang
5,444,228 A	8/1995	Gelus
5,532,455 A	7/1996	Bouleau et al.
5,577,158 A	11/1996	Kallgren et al.
5,616,266 A	4/1997	Cooper
5,780,812 A	7/1998	Klinkenberg
5,842,295 A	12/1998	Ching et al.
5,932,128 A	8/1999	Dishop
5,940,579 A	8/1999	Kallgren et al.
5,973,298 A	10/1999	Kallgren
6,009,645 A	1/2000	Shimizu et al.
6,035,563 A	3/2000	Hoefler et al.
6,054,690 A	4/2000	Petit et al.
6,072,165 A	6/2000	Feldman
6,138,389 A	10/2000	Kanazawa et al.
D439,023 S *	3/2001	Powell D32/73

(Continued)

Sep. 26, 2014 (EM) 002546291

- (51) **LOC (10) Cl.** **07-05**
- (52) **U.S. Cl.**
USPC **D32/70**

- (58) **Field of Classification Search**
USPC D32/70, 71, 73, 72, 69, 68, 35; D8/71, D8/373, 349, 396, 30; D15/144, 144.2; D28/73; 219/231, 242, 229; 165/80.1; 126/414
CPC D06F 75/34; D06F 75/08; D06F 75/38; D06F 75/00; F22B 27/14; B08B 3/006
See application file for complete search history.

- (56) **References Cited**

U.S. PATENT DOCUMENTS

277,193 A	5/1883	Ball
2,294,578 A	8/1941	Shapiro et al.
2,392,542 A	10/1942	Matuszak
2,564,706 A	5/1946	Mochel
2,817,169 A	9/1956	Schott
3,041,756 A	7/1962	Foster

FOREIGN PATENT DOCUMENTS

CN	2402707	10/2000
CN	201447604	5/2010

(Continued)

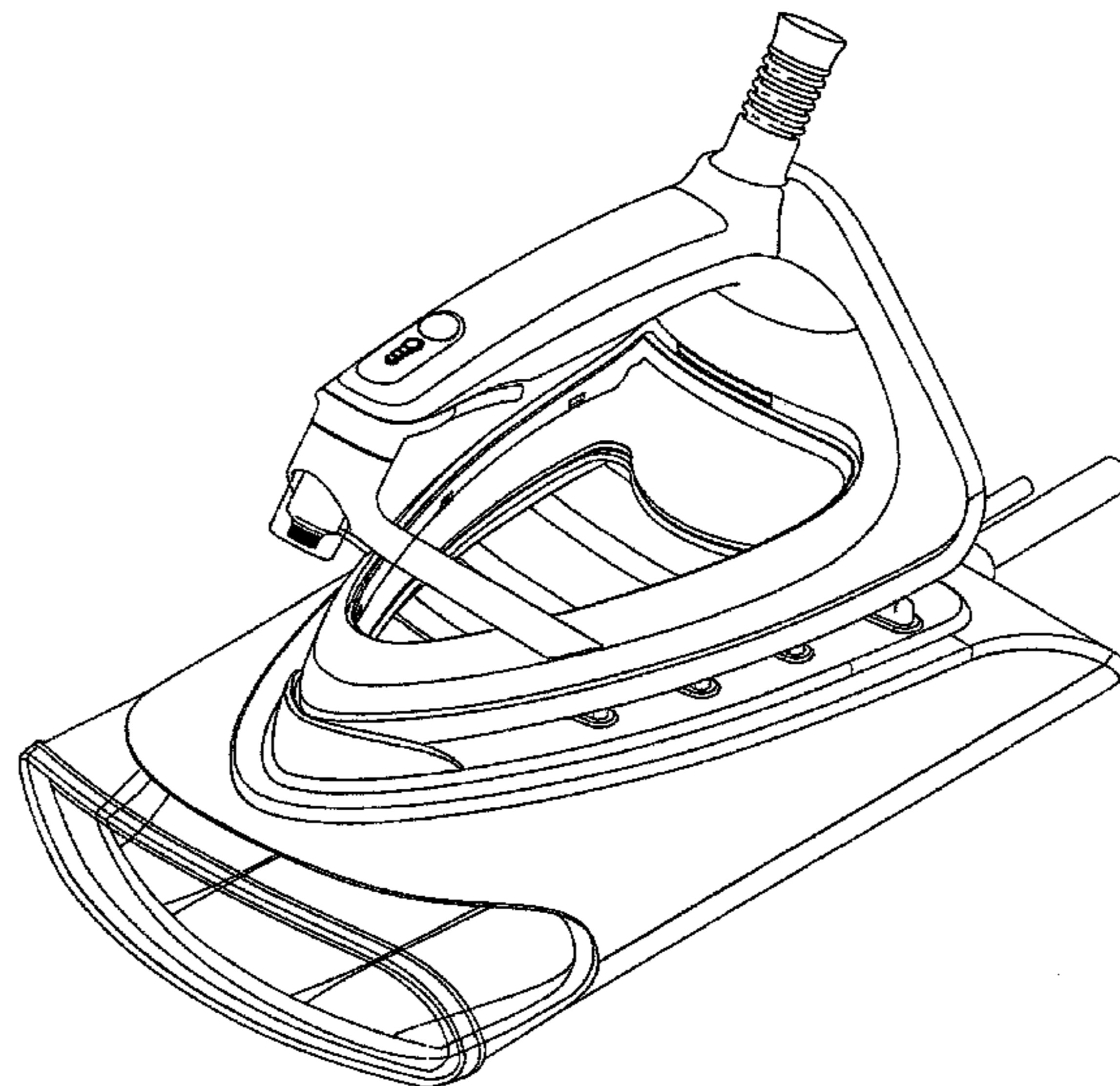
Primary Examiner — Austin Murphy
(74) *Attorney, Agent, or Firm* — Clark Hill PLC; James R. Foley

(57) **CLAIM**
The ornamental design for an iron, as shown and described.

DESCRIPTION

FIG. 1 is a perspective view of the iron;
FIG. 2 is a perspective rear view thereof;
FIG. 3 is a side view thereof;
FIG. 4 is a top view thereof; and,
FIG. 5 is a front view thereof.
The broken lines in FIG. 5 depict unclaimed subject matter.

1 Claim, 5 Drawing Sheets



(56)

References Cited

U.S. PATENT DOCUMENTS

6,216,369	B1	4/2001	Wolf et al.	
6,376,816	B2	4/2002	Cooper et al.	
D463,641	S *	9/2002	Powell	D32/71
D470,637	S *	2/2003	Berthier	D32/73
D548,418	S *	8/2007	Cahen	D32/70
D617,518	S *	6/2010	Choi	D32/73
D629,989	S *	12/2010	Hollerich et al.	D32/70
7,926,209	B2	4/2011	Yeung et al.	
D667,600	S *	9/2012	Smith	D32/70
D671,701	S *	11/2012	Tanoue et al.	D32/70
D701,362	S *	3/2014	Smith	D32/70
D704,913	S *	5/2014	Choi	D32/70
2004/0256482	A1	12/2004	Linden	
2005/0217152	A1	10/2005	Pessayre et al.	
2005/0278986	A1	12/2005	Almanzar et al.	
2008/0235998	A1	10/2008	Yeung et al.	
2009/0114639	A1	5/2009	Werkman et al.	
2010/0326977	A1	12/2010	Lee	

FOREIGN PATENT DOCUMENTS

CN	201598510	10/2010
DE	3800921	7/1989
DE	4107236	9/1992
DE	10723744	2/2013
EP	0687763	12/1995
EP	0713937	5/1996
EP	0824847	2/1998

EP	0891118	1/1999
EP	0923656	6/1999
EP	1 008 687	6/2000
EP	1043441	10/2000
EP	1582620	10/2005
EP	1702098	9/2006
EP	1706533	10/2006
EP	1983097	10/2008
ES	2284357	11/2007
FR	2189562	1/1974
GB	542681	1/1942
GB	1102125	2/1968
GB	2214935	9/1989
GB	2385603	8/2003
GB	2455083	6/2009
GB	2471042	12/2010
GB	2479079	9/2011
JP	11-244660	9/1999
RU	2358051	6/2009
WO	96/35317	11/1996
WO	98/07919	2/1998
WO	2005/056910	6/2005
WO	2005-059232	6/2005
WO	2006/067752	6/2006
WO	2007/045576	4/2007
WO	2007/054432	5/2007
WO	2008/122562	10/2008
WO	2009/080525	7/2009
WO	2010/130548	11/2010
WO	2010/133844	11/2010
WO	2012/020352	2/2012

* cited by examiner

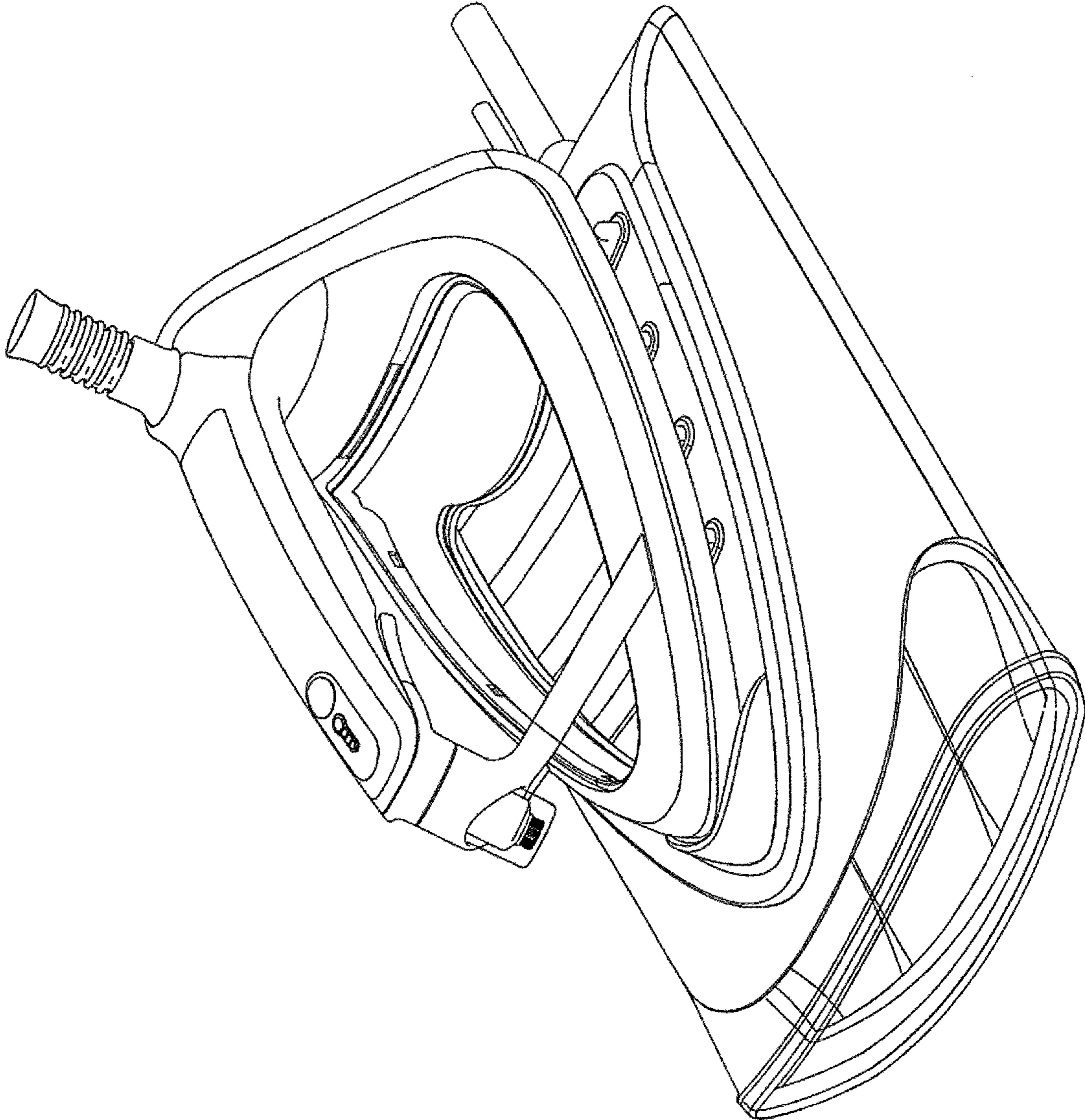


FIG. 1

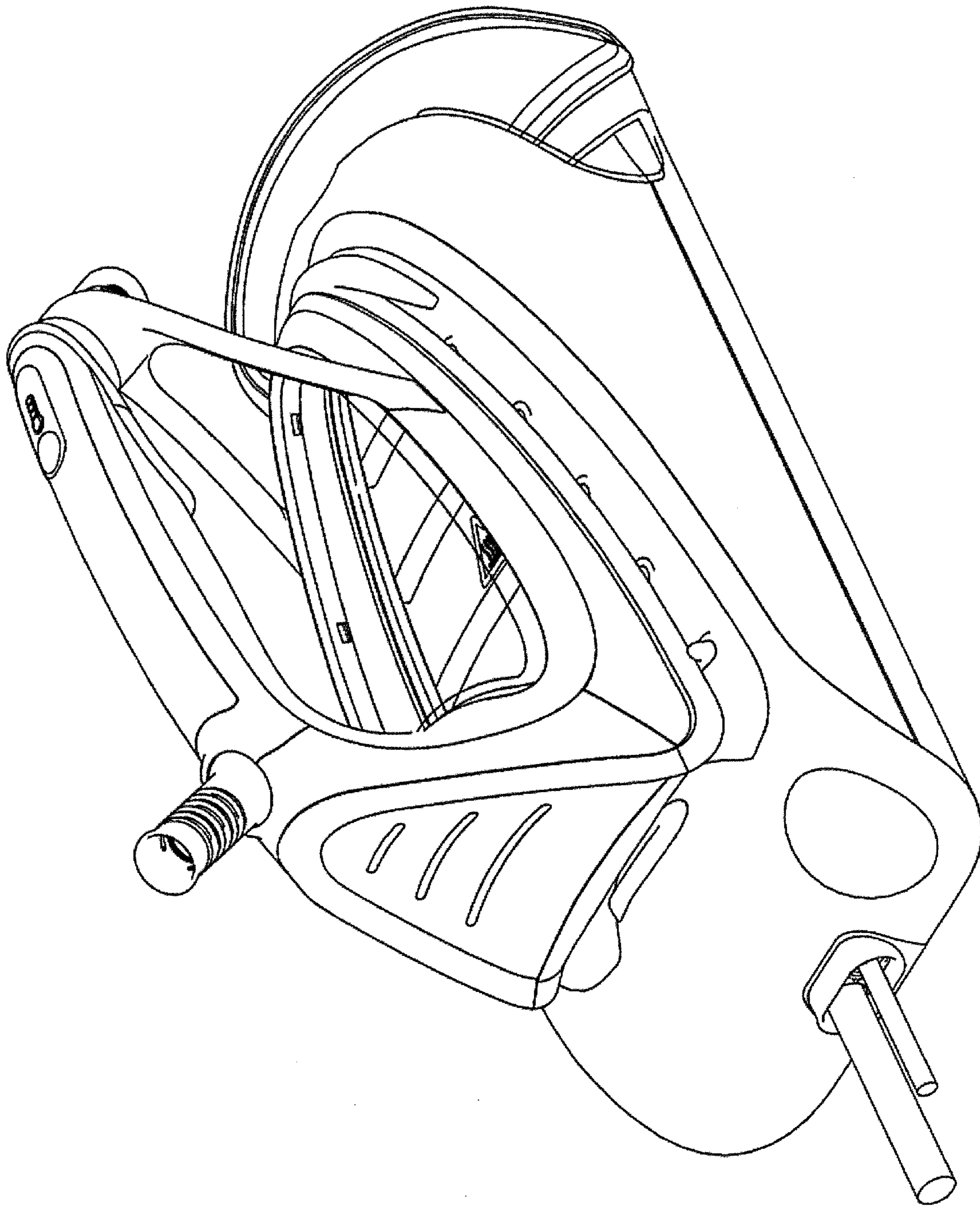


FIG. 2

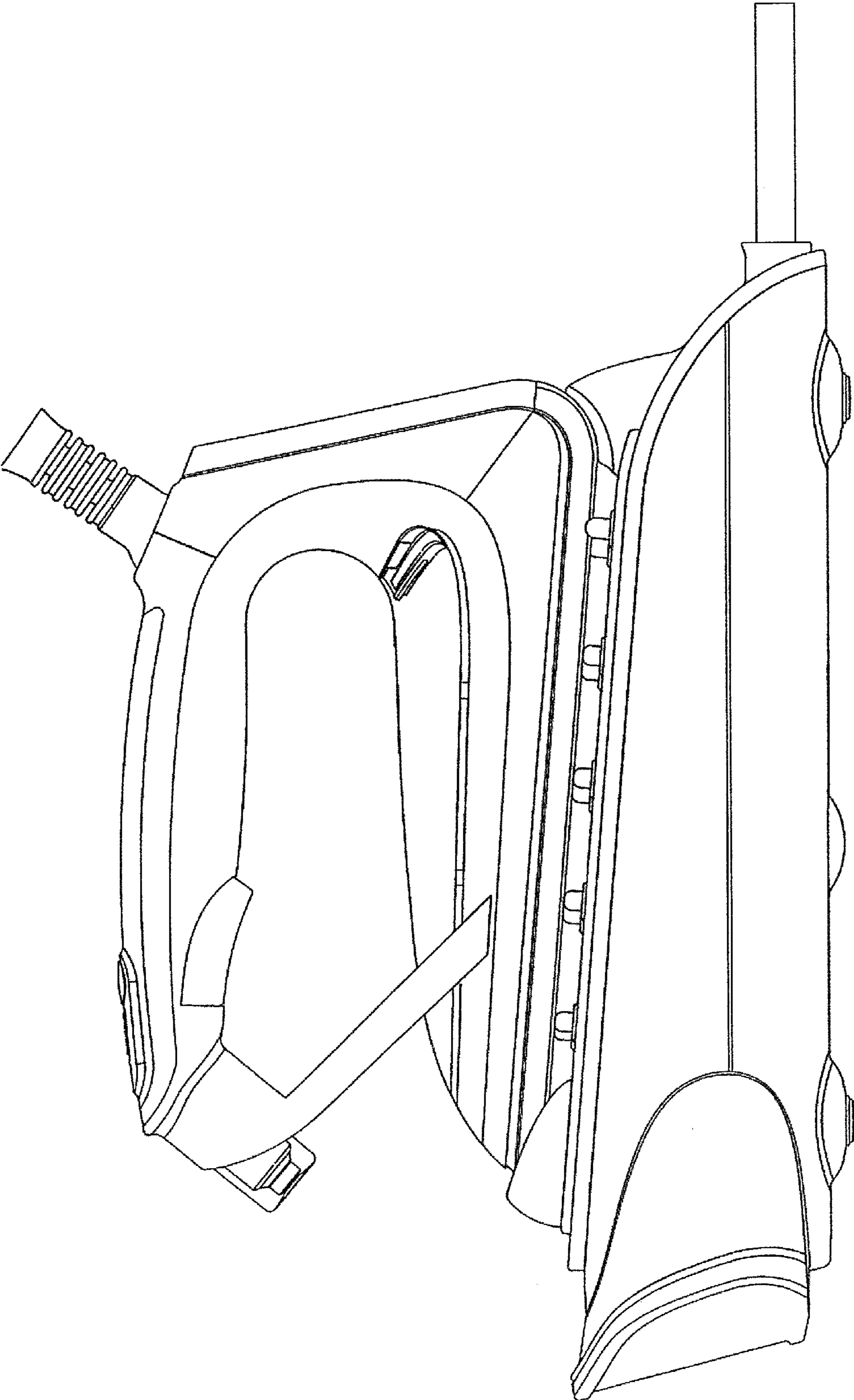


FIG. 3

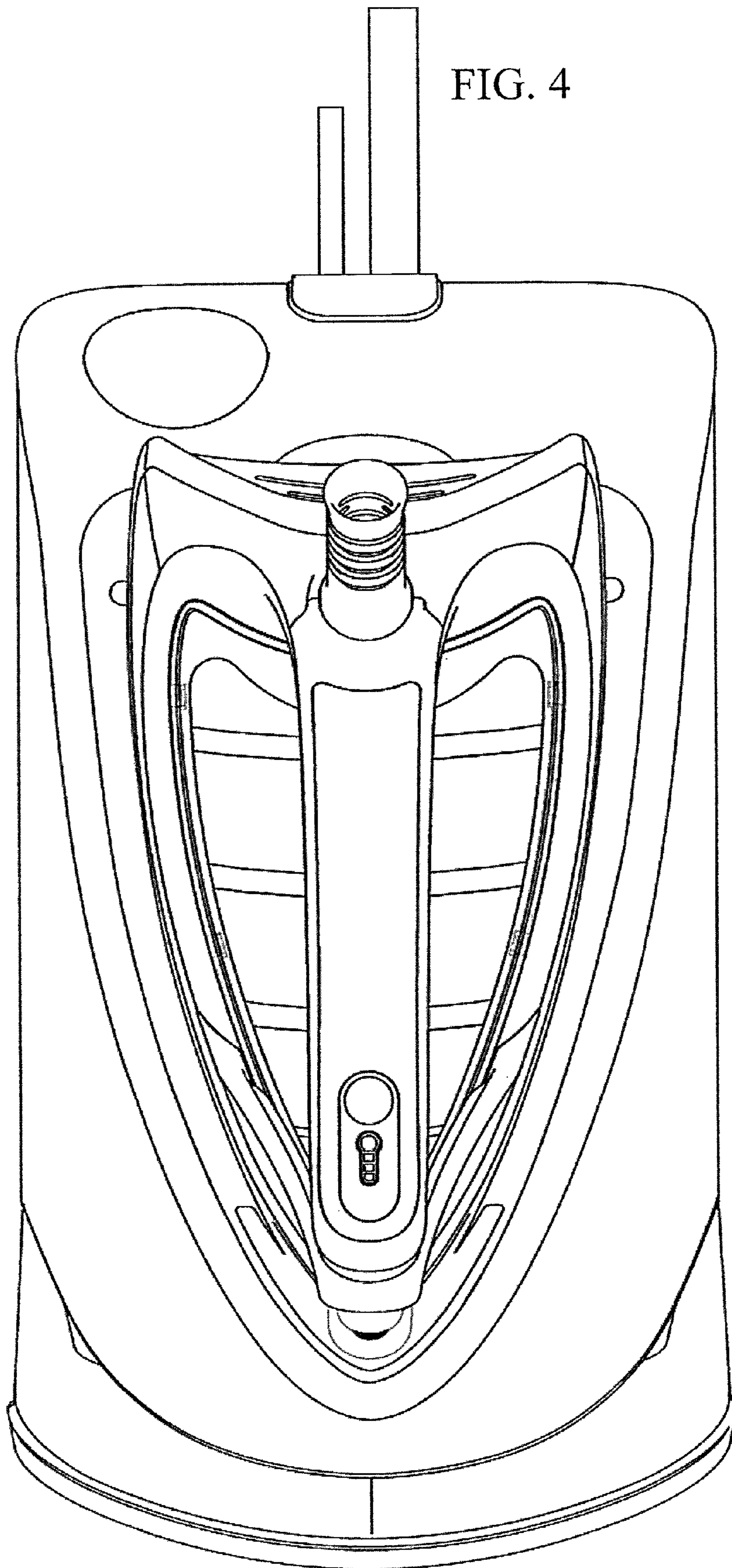


FIG. 5

