



US00D743661S

(12) **United States Design Patent**
Abuzarifah

(10) **Patent No.:** **US D743,661 S**
(45) **Date of Patent:** **** Nov. 17, 2015**

(54) **PAINT CONTAINER AND LID CONSTRUCTION**

D236,578 S * 9/1975 Powell D32/53
5,472,111 A 12/1995 Renfrew
5,964,372 A * 10/1999 Dubois et al. 220/642
6,102,235 A 8/2000 Stern et al.
D706,509 S * 6/2014 Morris, Jr. D32/53

(71) Applicant: **Khalid Abuzarifah**, Fall River, MA
(US)

* cited by examiner

(72) Inventor: **Khalid Abuzarifah**, Fall River, MA
(US)

Primary Examiner — Robin V Webster

(**) Term: **14 Years**

(57) **CLAIM**

(21) Appl. No.: **29/520,092**

The ornamental design for a paint container and lid construction, as shown and described.

(22) Filed: **Mar. 11, 2015**

DESCRIPTION

Related U.S. Application Data

(62) Division of application No. 29/475,536, filed on Dec. 4, 2013, now Pat. No. Des. 729,477.

(51) **LOC (10) Cl.** **07-07**

(52) **U.S. Cl.**
USPC **D32/53**

(58) **Field of Classification Search**
USPC D32/53, 53.1, 54; 15/260–264;
220/904, 659, 258.2, 212
See application file for complete search history.

FIG. 1 is a perspective view of a first embodiment of a paint container and lid construction showing a closed container; FIG. 2 is a perspective view of a first embodiment showing the lid in an in-use position; FIG. 3 is a top plan view of a first embodiment thereof; FIG. 4 is a bottom plan view of a first embodiment thereof; FIG. 5 is a front elevational view of a first embodiment thereof; FIG. 6 is a rear elevational view of a first embodiment thereof; FIG. 7 is a right side elevational view of a first embodiment thereof; and, FIG. 8 is a left side elevational view of a first embodiment thereof.

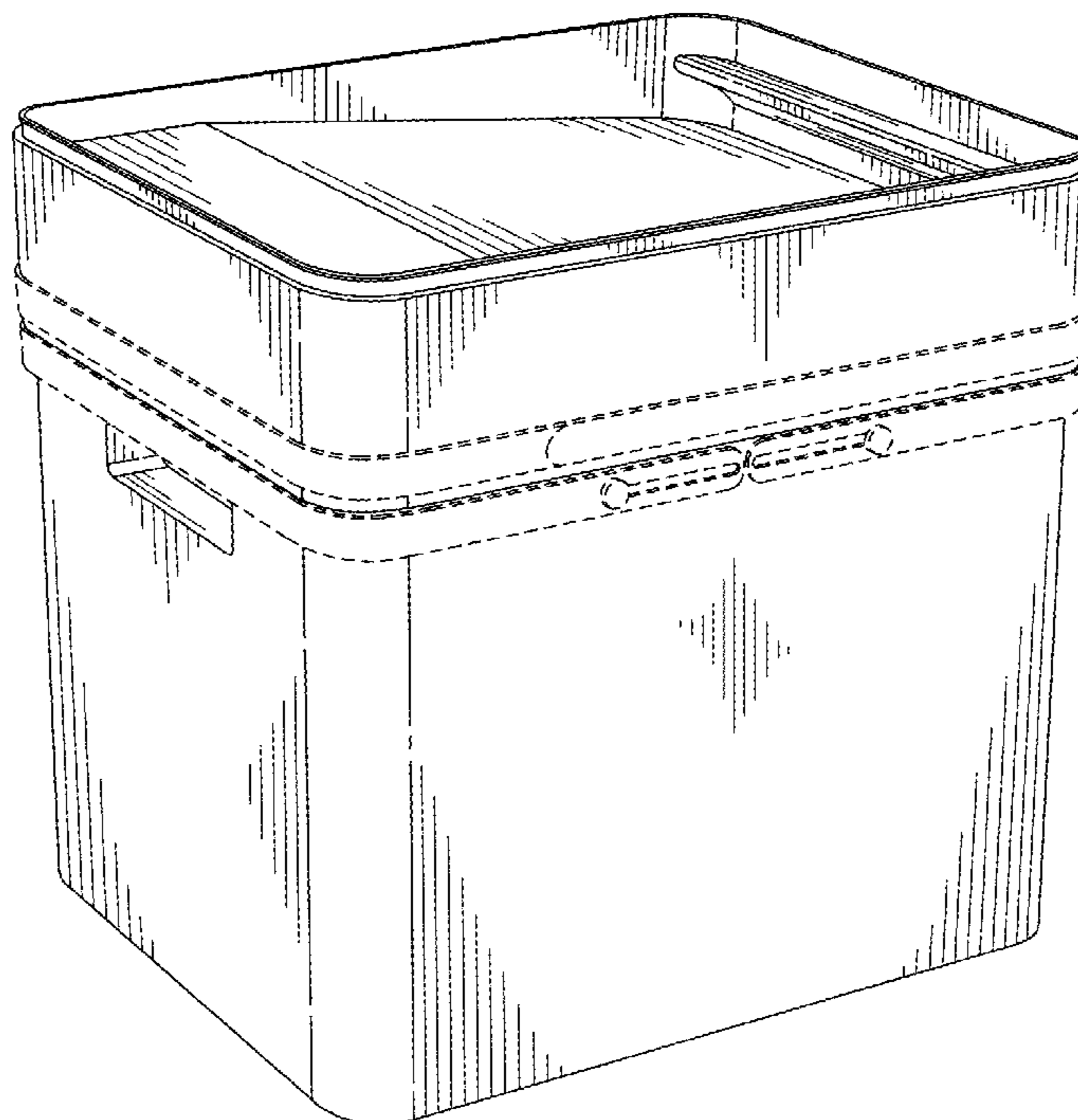
(56) **References Cited**

U.S. PATENT DOCUMENTS

D232,152 S * 7/1974 Roper et al. D32/53
D233,218 S * 10/1974 Lynn D32/53

The broken lines shown in the drawing views are included for the purpose of showing environmental structure that forms no part of the claimed design.

1 Claim, 8 Drawing Sheets



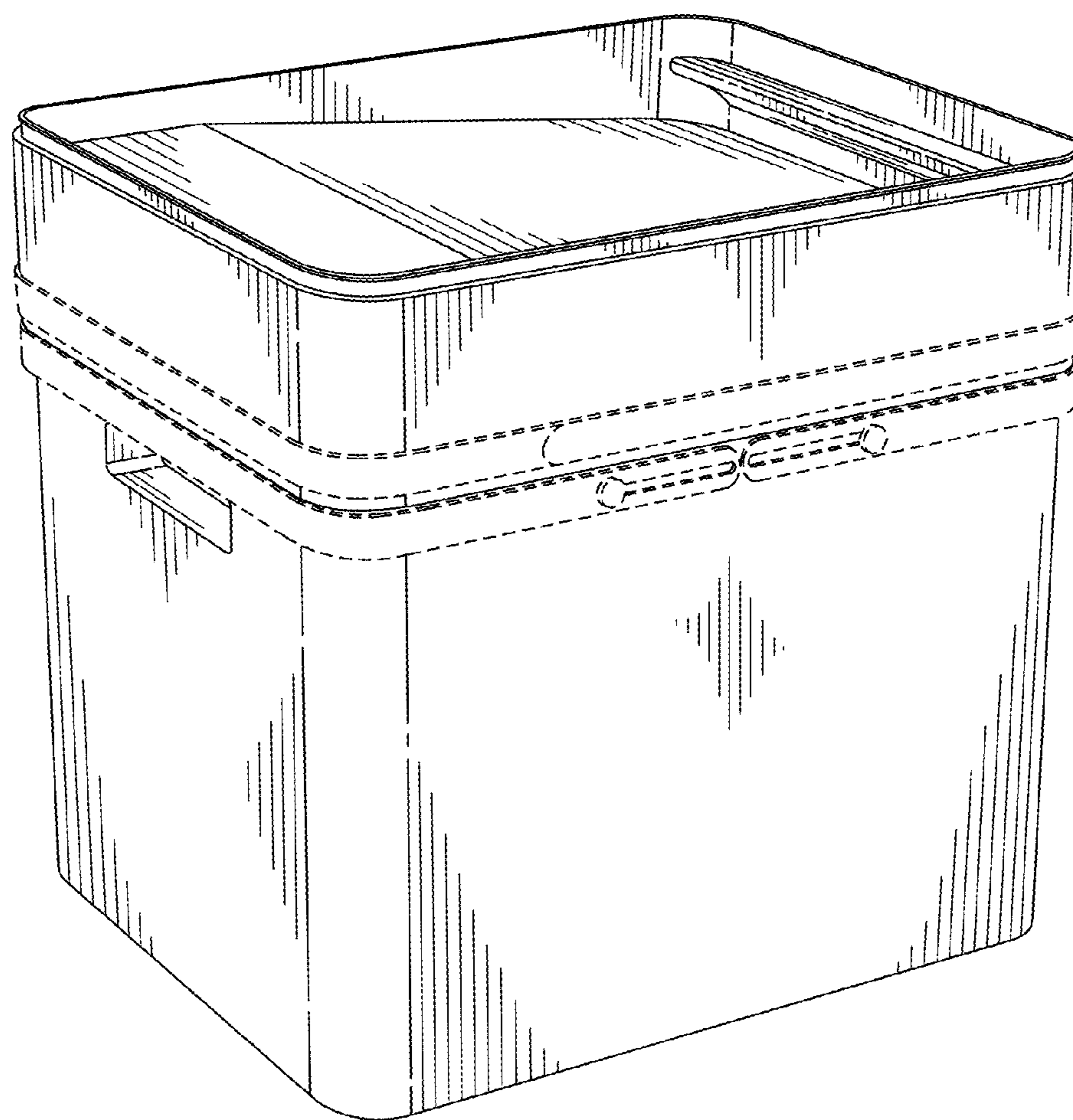


FIG. 1

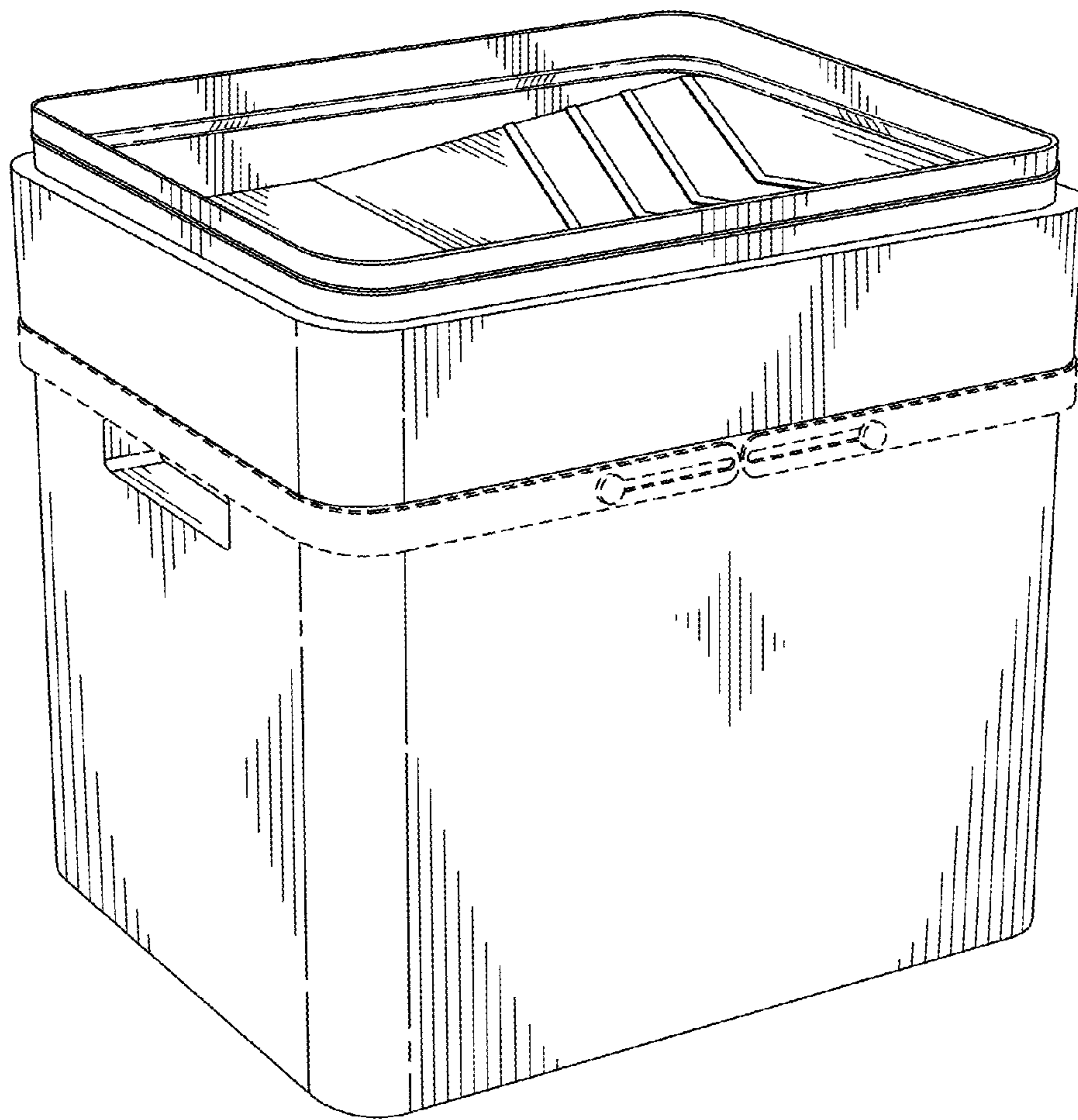


FIG. 2

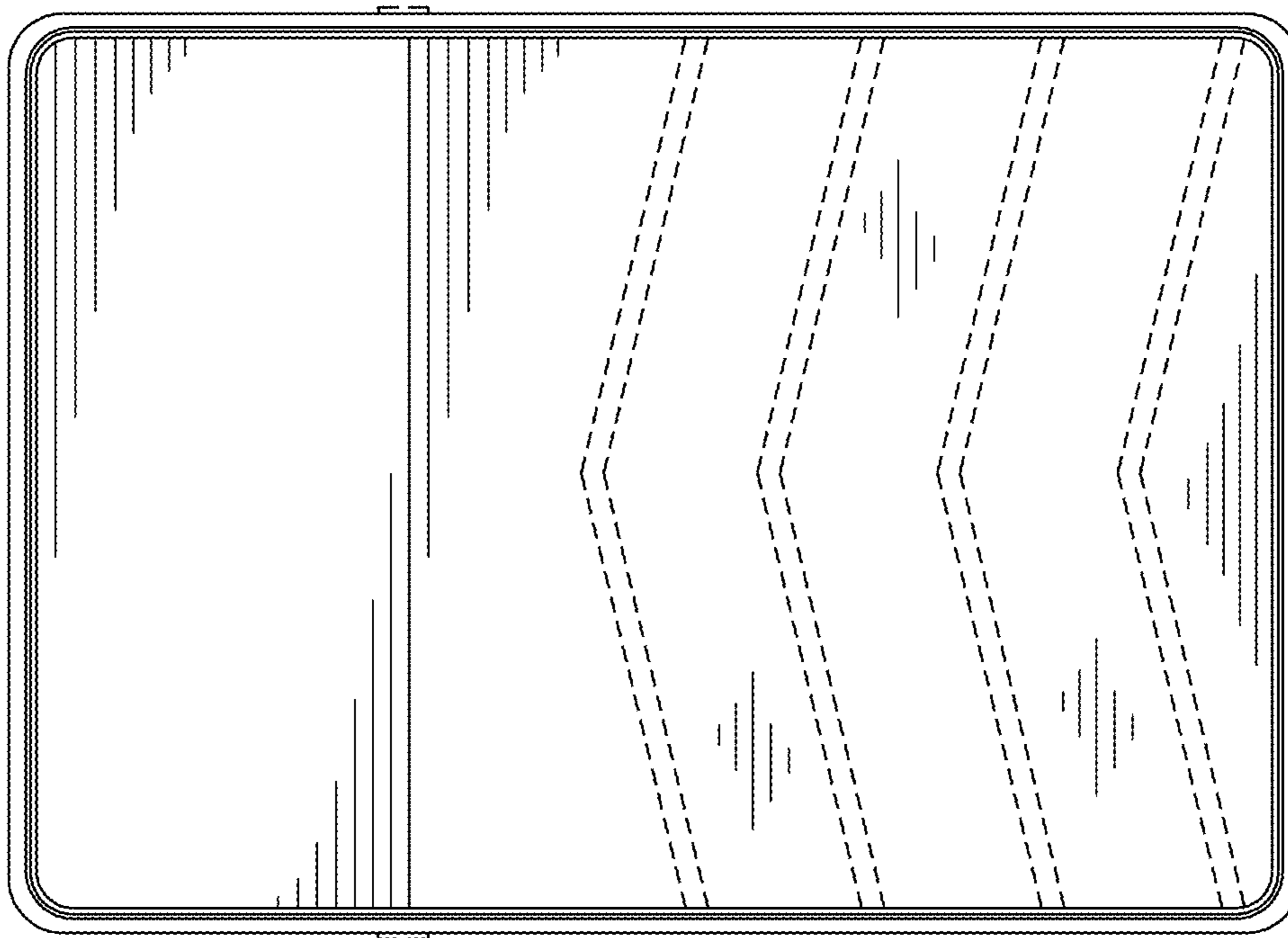


FIG. 3

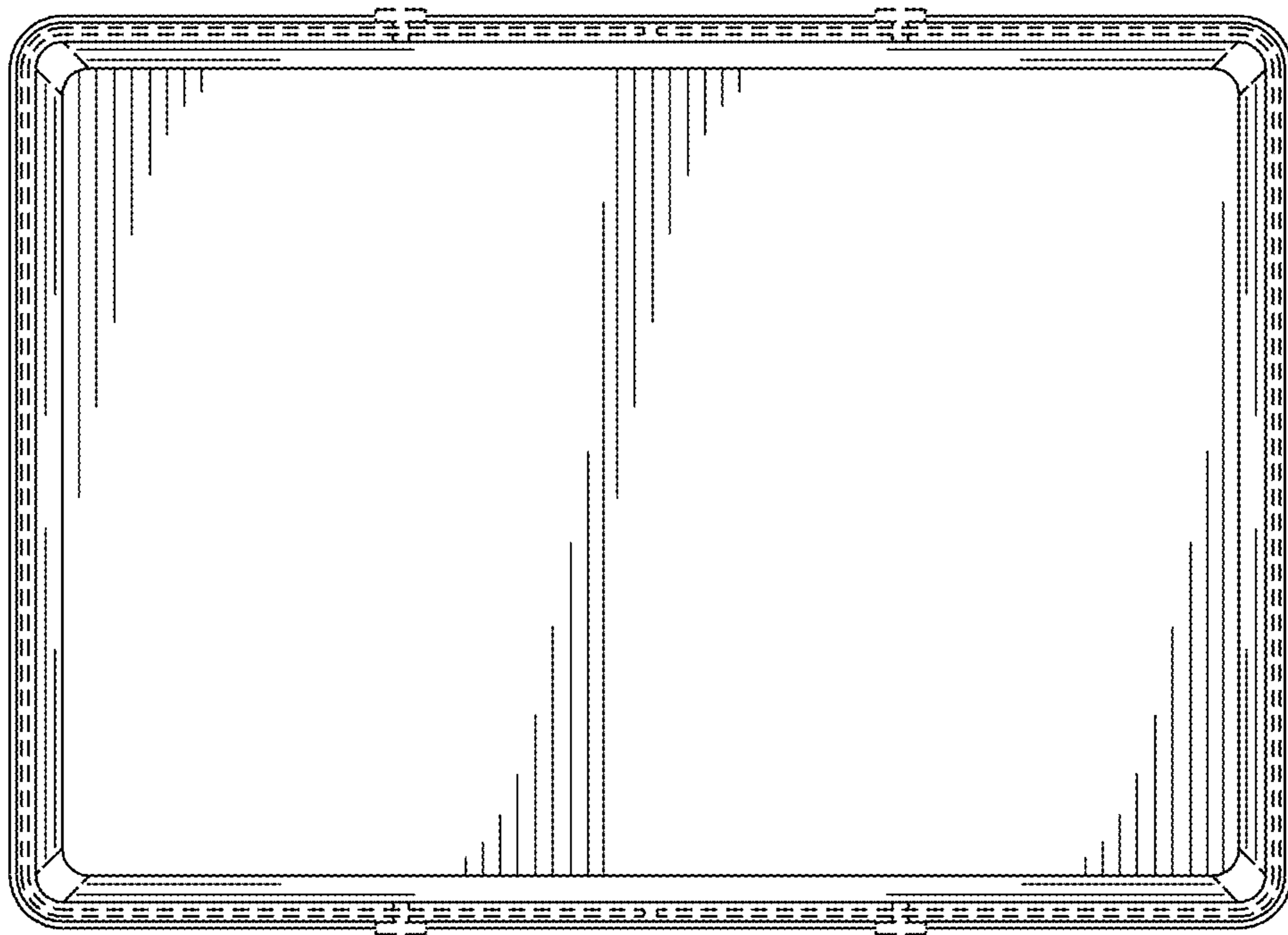


FIG. 4

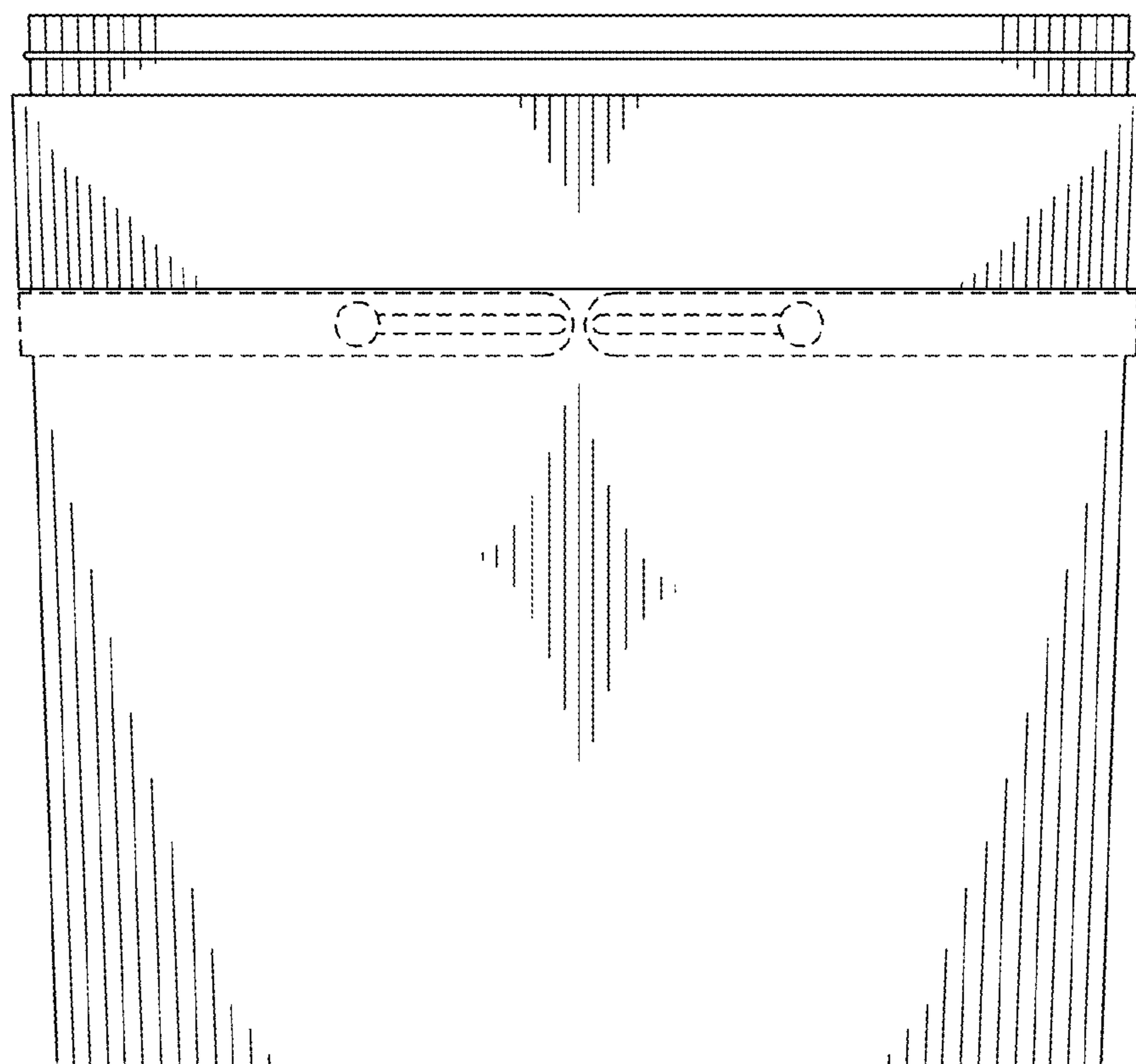


FIG. 5

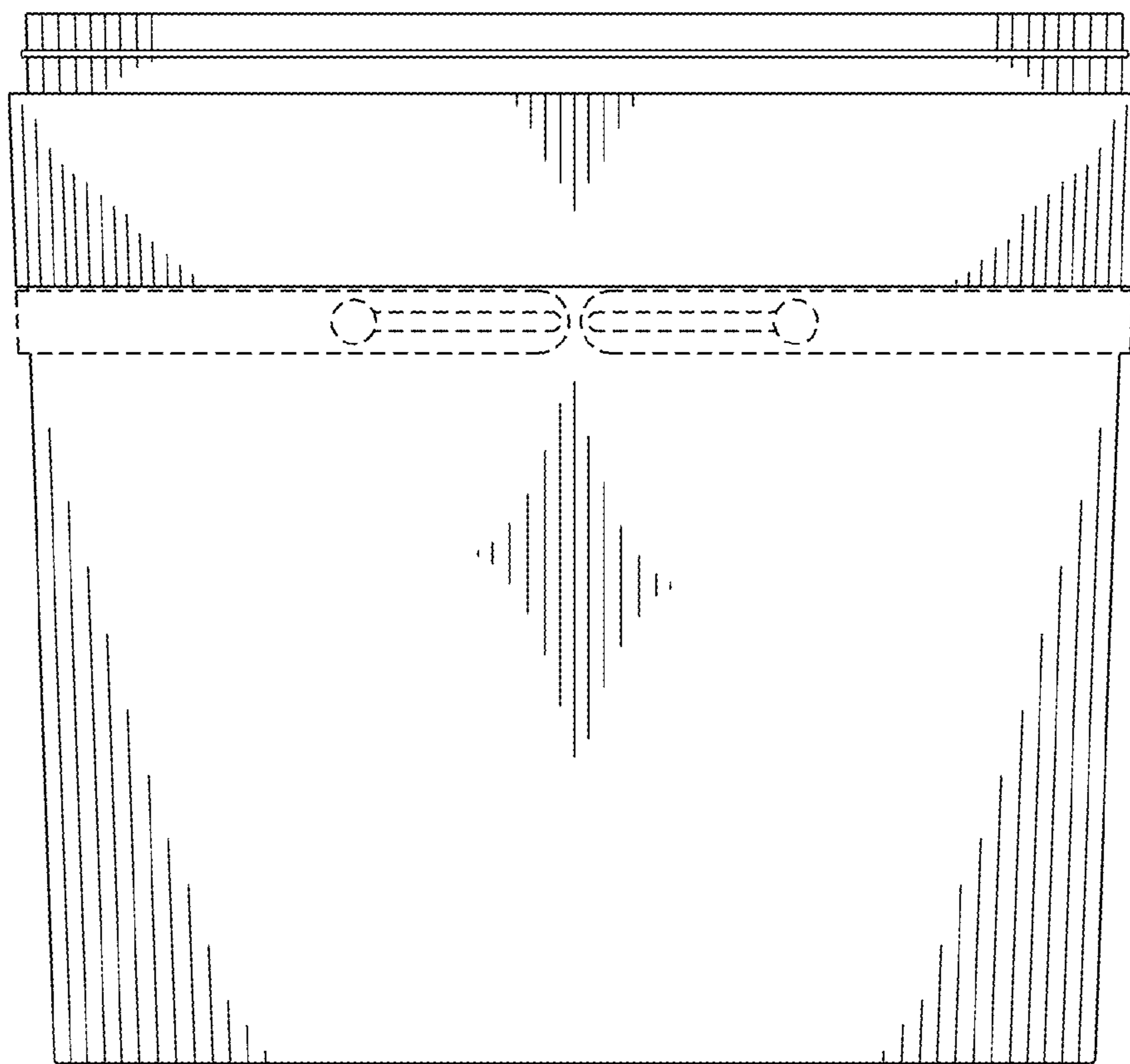


FIG. 6

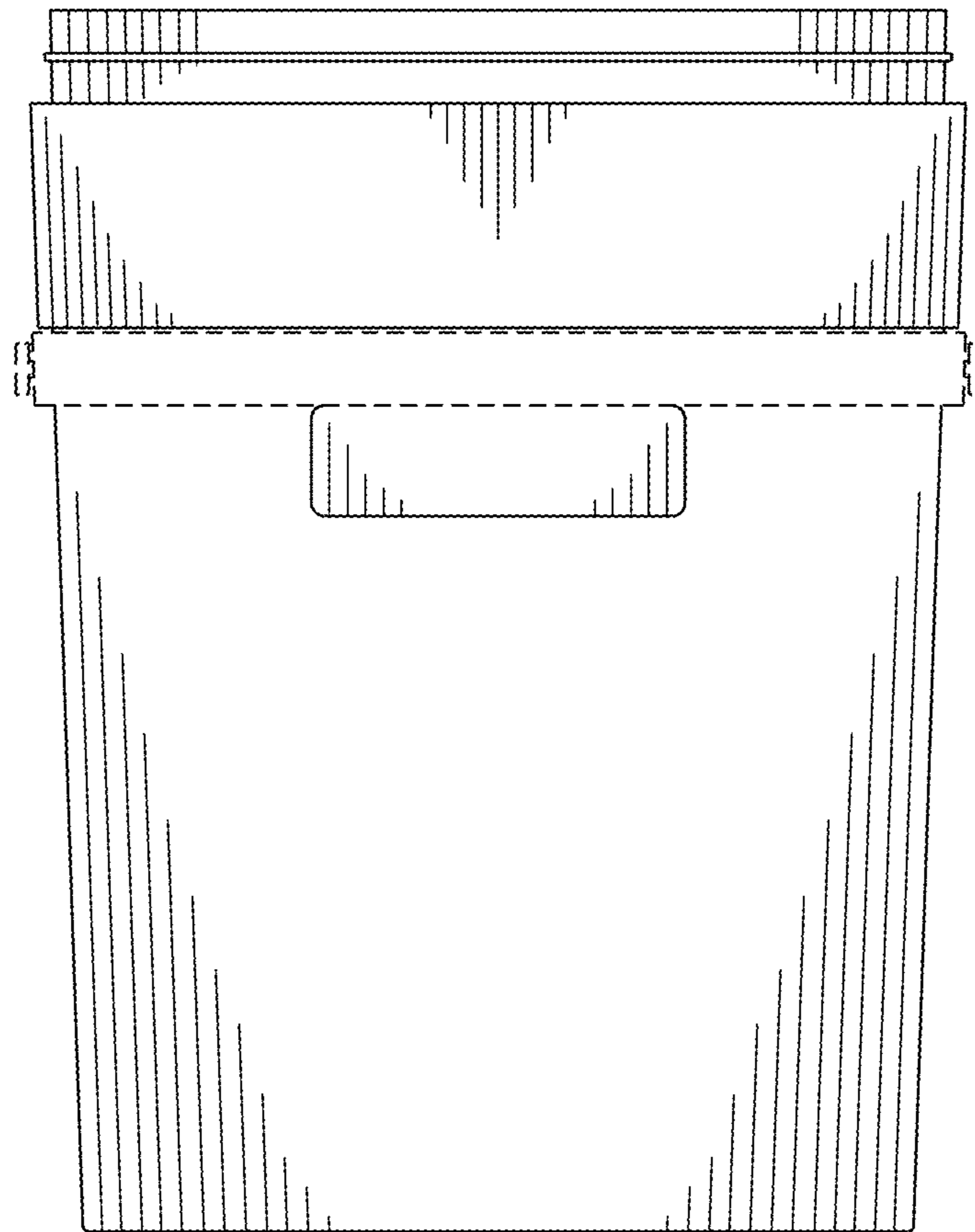


FIG. 7

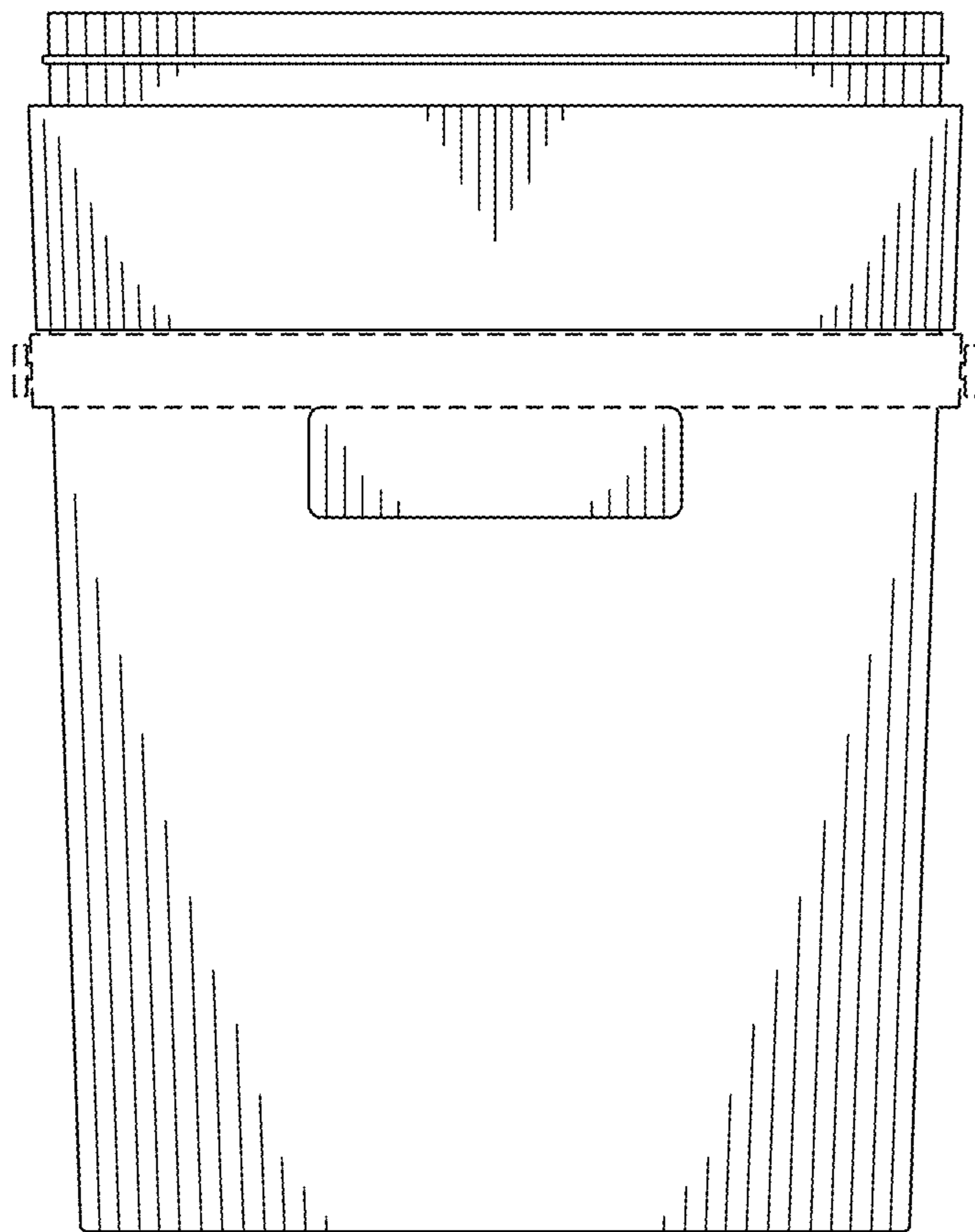


FIG. 8