



US00D743660S

(12) **United States Design Patent**  
**McLaughlin et al.**

(10) **Patent No.:** **US D743,660 S**

(45) **Date of Patent:** **\*\* Nov. 17, 2015**

(54) **SCRAPER**

(71) Applicant: **ELIXAIR INTERNATIONAL LIMITED**, Dorset (GB)

(72) Inventors: **Leonard McLaughlin**, Dorset (GB);  
**Oliver Nathaniel Ambrose Price**,  
London (GB); **Peter David Cauwood**,  
Cambridge (GB)

(73) Assignee: **ELIXAIR INTERNATIONAL LIMITED**, Broadmayne, Dorset (GB)

(\*\*) Term: **14 Years**

(21) Appl. No.: **29/461,881**

(22) Filed: **Jul. 29, 2013**

(30) **Foreign Application Priority Data**

Feb. 1, 2013	(EM)	002177105-0001
Feb. 1, 2013	(EM)	002177105-0002
Feb. 1, 2013	(EM)	002177105-0003
Feb. 1, 2013	(EM)	002177105-0004
Feb. 1, 2013	(EM)	002177105-0005
Feb. 1, 2013	(EM)	002177105-0006
Feb. 1, 2013	(EM)	002177105-0007
Feb. 1, 2013	(EM)	002177105-0008

(51) **LOC (10) Cl.** ..... **08-05**

(52) **U.S. Cl.**  
USPC ..... **D32/46**

(58) **Field of Classification Search**  
USPC ..... D32/46, 48, 43, 52, 49; D8/99; D28/7;  
30/162, 169, 125, 305; 606/167, 176  
CPC ..... B26B 5/001; B26B 23/00; A47L 13/08;  
A61B 17/3211; A61B 17/14

See application file for complete search history.

(56) **References Cited**

U.S. PATENT DOCUMENTS

2,232,321	A *	2/1941	Gibson	30/162
2,291,514	A *	7/1942	Warner et al.	30/162

(Continued)

FOREIGN PATENT DOCUMENTS

CN	300686183	*	9/2007
GB	2051167	*	2/1996
JP	D1284569	*	10/2006

OTHER PUBLICATIONS

CAT AR15 Tool—Bolt & Carrier Carbon Scrapper Tool M4M/M16,  
Announced Jan. 24, 2010, [Site Visited Jun. 26, 2015] <http://dsgarms.com/hsgcatm4>.\*

(Continued)

*Primary Examiner* — Eric Goodman

*Assistant Examiner* — Luqman McNeil

(74) *Attorney, Agent, or Firm* — Fleit Gibbons Gutman  
Bongini & Bianco PL; Paul D. Bianco

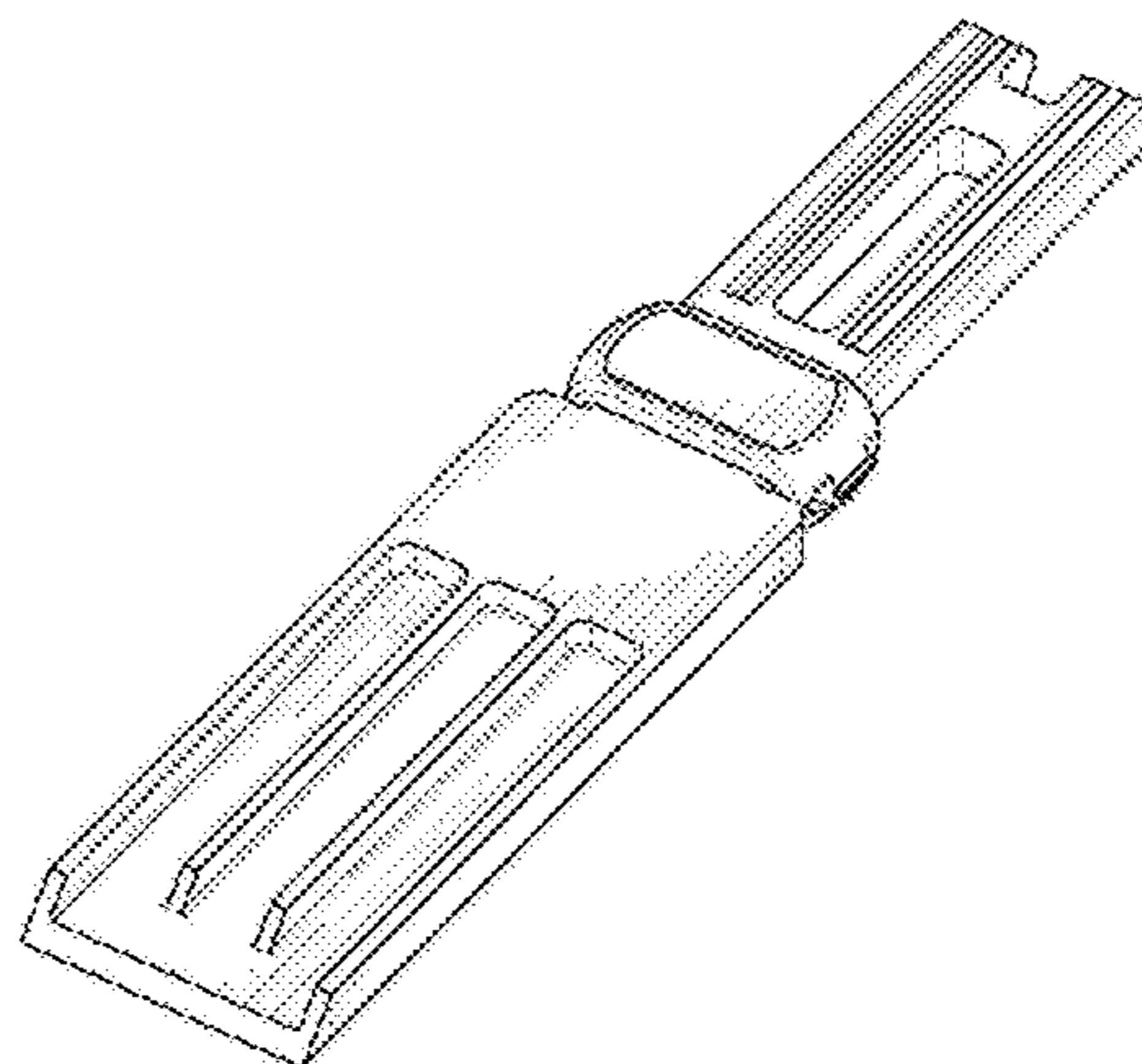
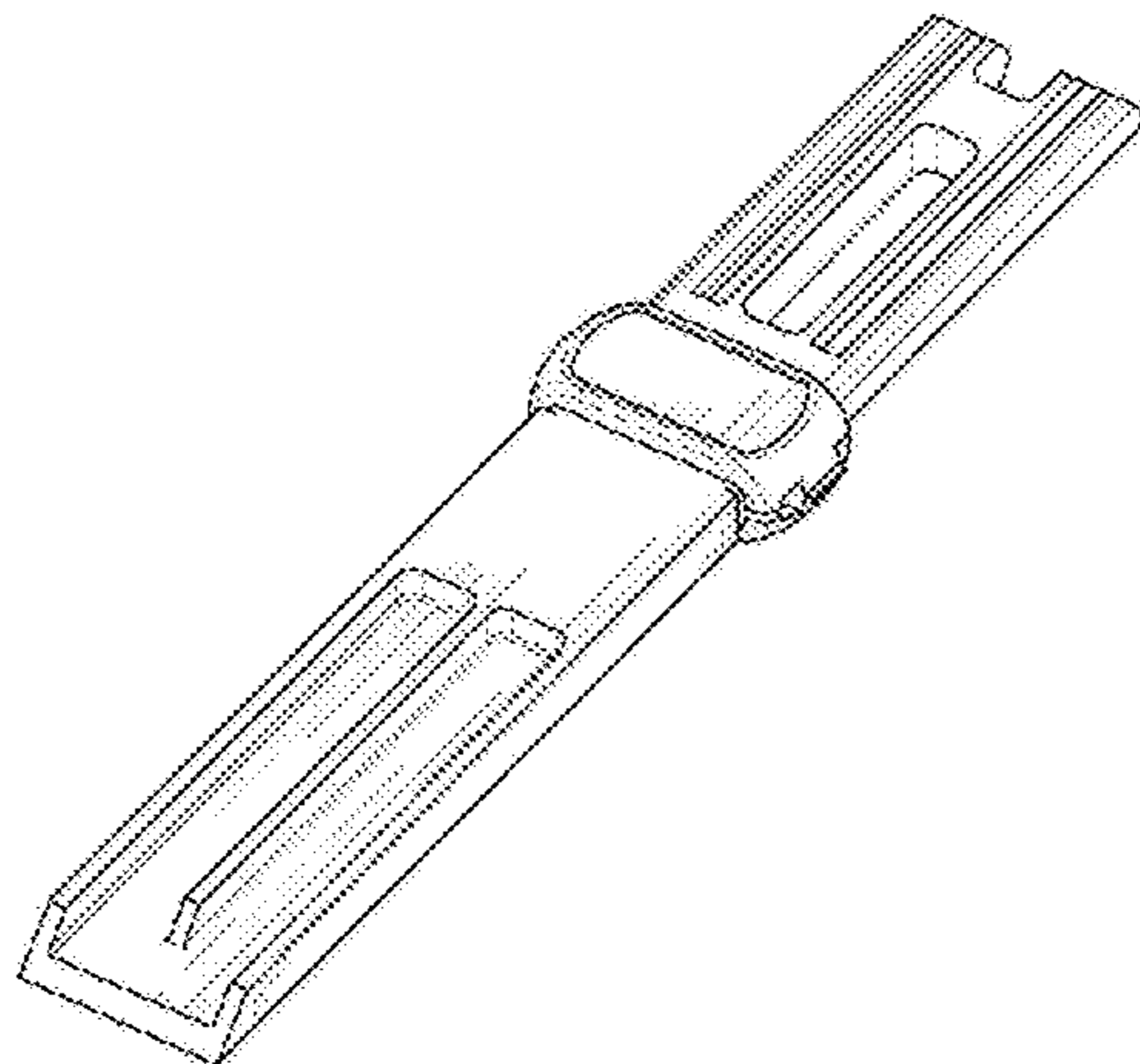
(57) **CLAIM**

The ornamental design for a scraper, as shown and described.

**DESCRIPTION**

FIG. 1 is a front perspective view of a first embodiment of a scraper of the subject invention; FIG. 2 is a front end view thereof; FIG. 3 is a rear end view thereof; FIG. 4 is a right side view thereof; FIG. 5 is a left side view thereof; FIG. 6 is a top view thereof; and FIG. 7 is a bottom view thereof; FIG. 8 is a front perspective view of a second embodiment of a scraper of the subject invention; FIG. 9 is a front end view thereof; FIG. 10 is a rear end view thereof; FIG. 11 is a right side view thereof; FIG. 12 is a left side view thereof; FIG. 13 is a top view thereof; and FIG. 14 is a bottom thereof.

**1 Claim, 14 Drawing Sheets**



(56)

References Cited

U.S. PATENT DOCUMENTS

2,601,723 A \* 7/1952 Keller ..... 30/162  
 D171,534 S \* 2/1954 Ferguson ..... D32/48  
 D240,699 S \* 7/1976 Gerson ..... D32/48  
 4,558,517 A \* 12/1985 Gringer ..... 30/169  
 D282,881 S \* 3/1986 Gringer ..... D32/48  
 4,955,138 A \* 9/1990 Henke et al. .... 30/169  
 D331,301 S \* 11/1992 Say, Jr. .... D32/46  
 D346,319 S \* 4/1994 Lavallee et al. .... D8/99  
 5,433,004 A \* 7/1995 Thompson et al. .... 30/169  
 D364,015 S \* 11/1995 Stoltzfus ..... D32/46  
 D364,252 S \* 11/1995 Henke ..... D32/42  
 D389,966 S \* 1/1998 Melodia et al. .... D32/46  
 D403,107 S \* 12/1998 Ness et al. .... D28/7  
 D403,816 S \* 1/1999 Zeilinger et al. .... D32/46  
 6,101,721 A \* 8/2000 Medhurst ..... 30/125  
 D453,249 S \* 1/2002 Kleinpell ..... D32/43  
 D463,639 S \* 9/2002 Panfili et al. .... D32/48  
 D467,395 S \* 12/2002 McCool ..... D32/48  
 D479,374 S \* 9/2003 Gringer et al. .... D32/48  
 6,775,912 B2 \* 8/2004 Panfili et al. .... 30/169

D516,263 S \* 2/2006 Gringer et al. .... D32/52  
 D537,591 S \* 2/2007 Gringer et al. .... D32/52  
 7,255,705 B2 \* 8/2007 Hsu et al. .... 606/167  
 D558,418 S \* 12/2007 Krauss ..... D32/46  
 D562,667 S \* 2/2008 Wu et al. .... D8/99  
 D586,512 S \* 2/2009 van Deursen ..... D32/46  
 D587,871 S \* 3/2009 van Deursen et al. .... D32/49  
 D599,186 S \* 9/2009 Wu ..... D8/99  
 D617,967 S \* 6/2010 Lambert ..... D32/46  
 D638,184 S \* 5/2011 Lesche ..... D32/46  
 8,065,945 B2 \* 11/2011 Kobayashi et al. .... 606/176  
 8,171,646 B2 \* 5/2012 Chiu ..... 30/169  
 D664,318 S \* 7/2012 Thompson et al. .... D32/46  
 D664,319 S \* 7/2012 Thompson et al. .... D32/46  
 2004/0055165 A1 \* 3/2004 Chan ..... 30/305

OTHER PUBLICATIONS

Where Are Triumph Scrapper Manufactured?, Announced Jan. 20, 2011, [Site Visited Jun. 24, 2015] <http://www.jracenstein.com/blog/tag/scrapers>.\*

\* cited by examiner

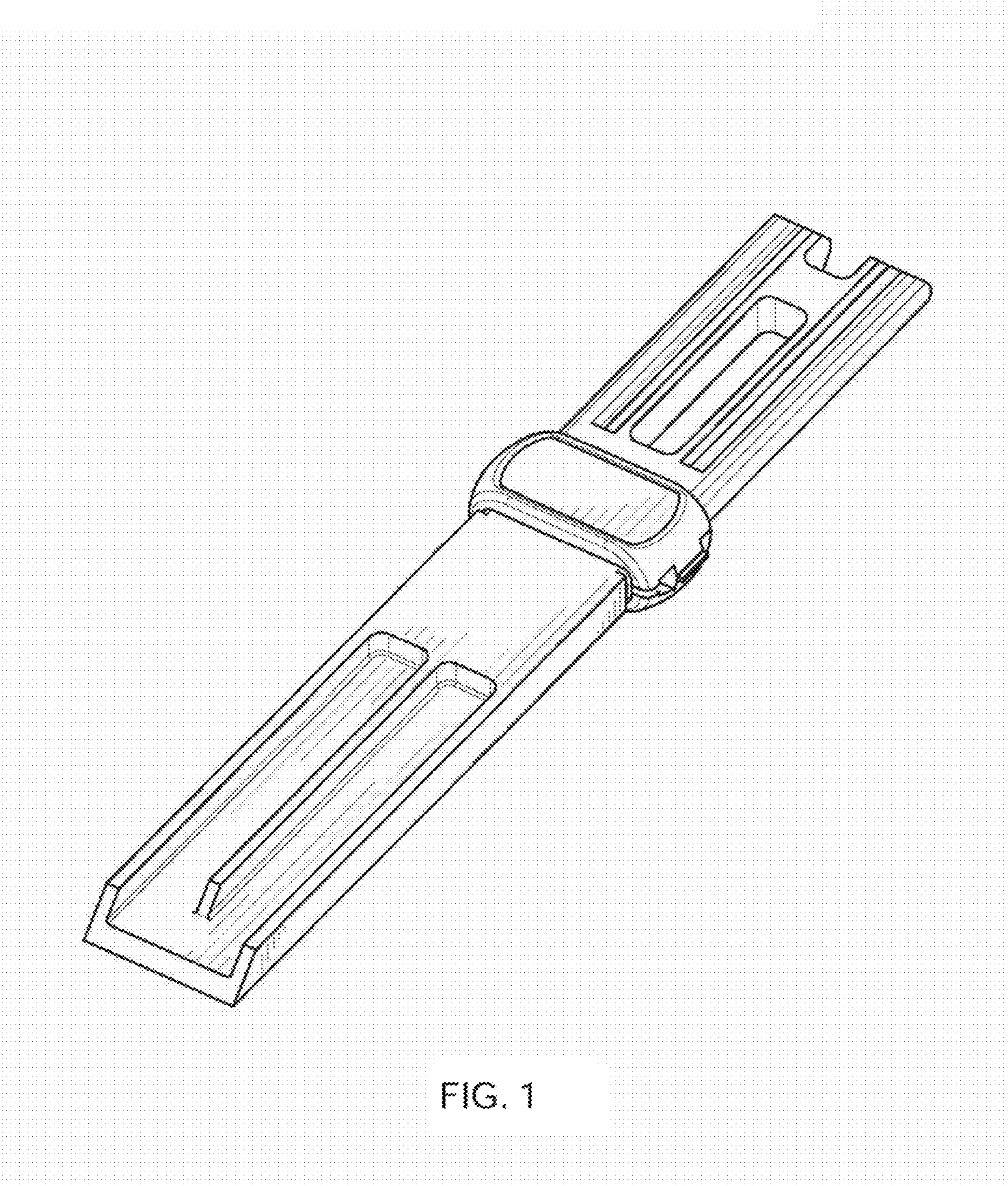


FIG. 1

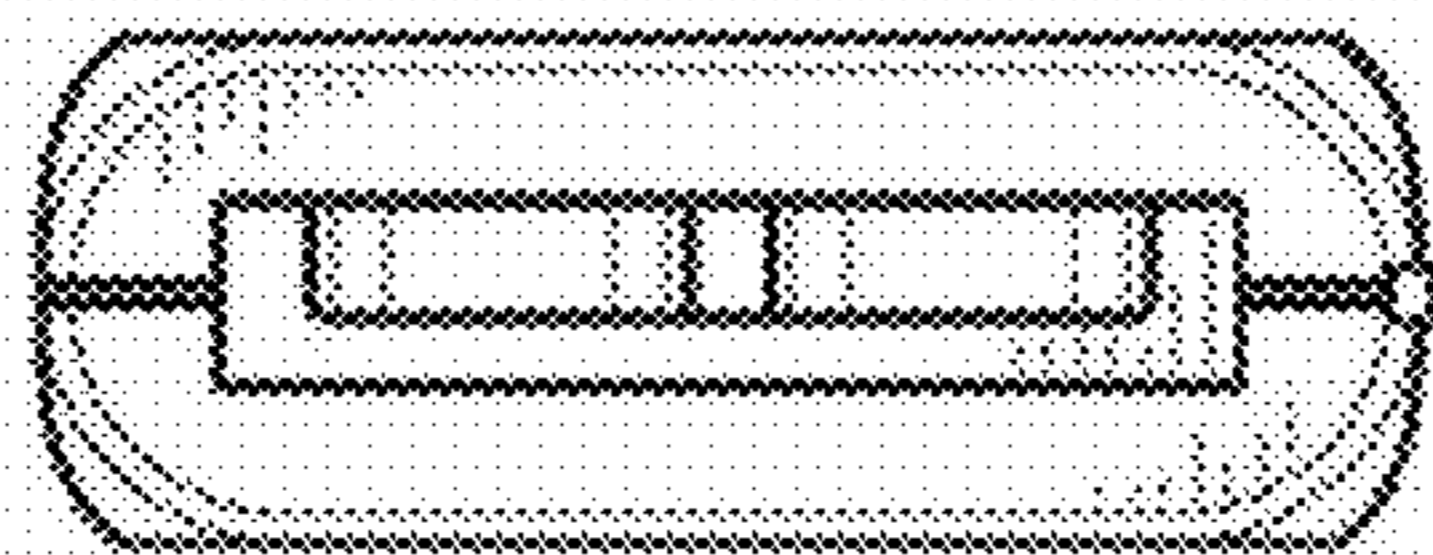


FIG. 2

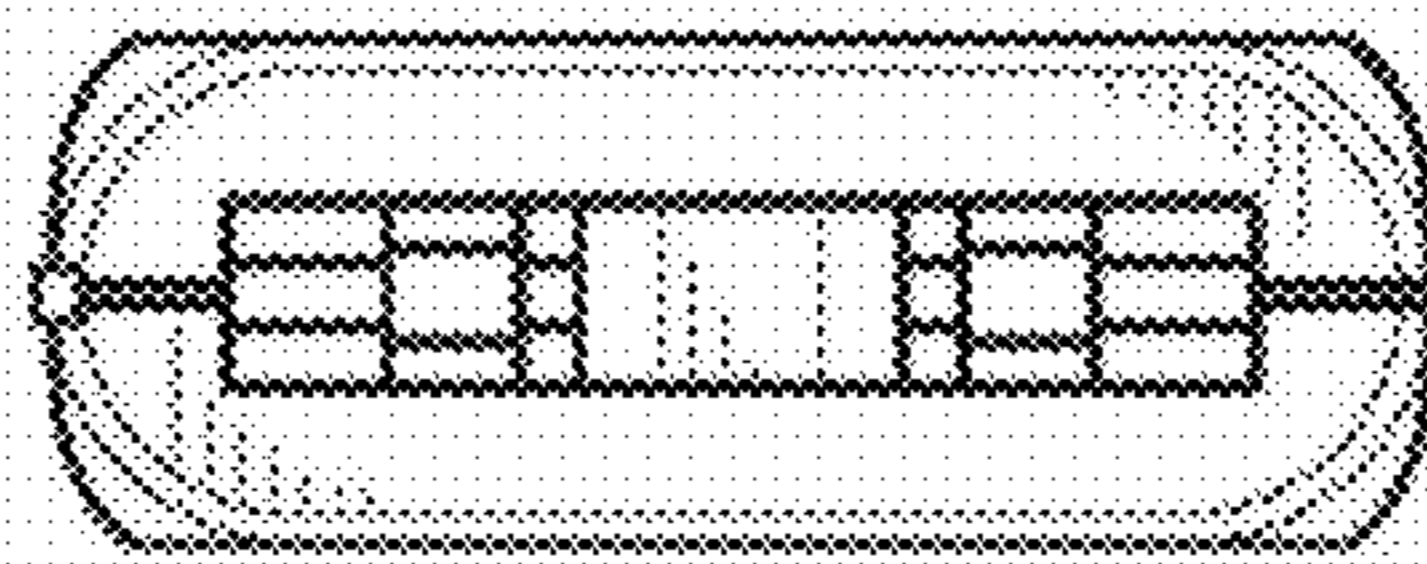


FIG. 3

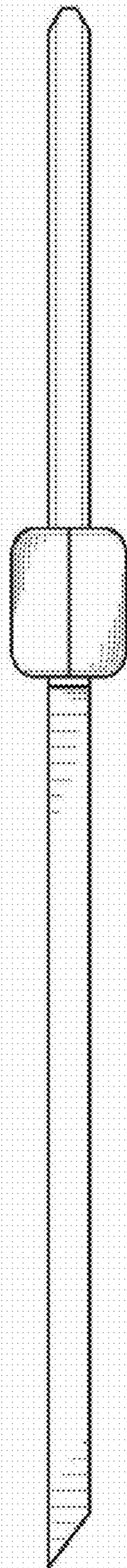


FIG. 4

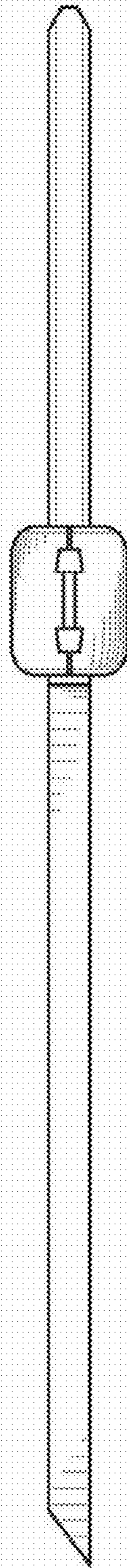


FIG. 5

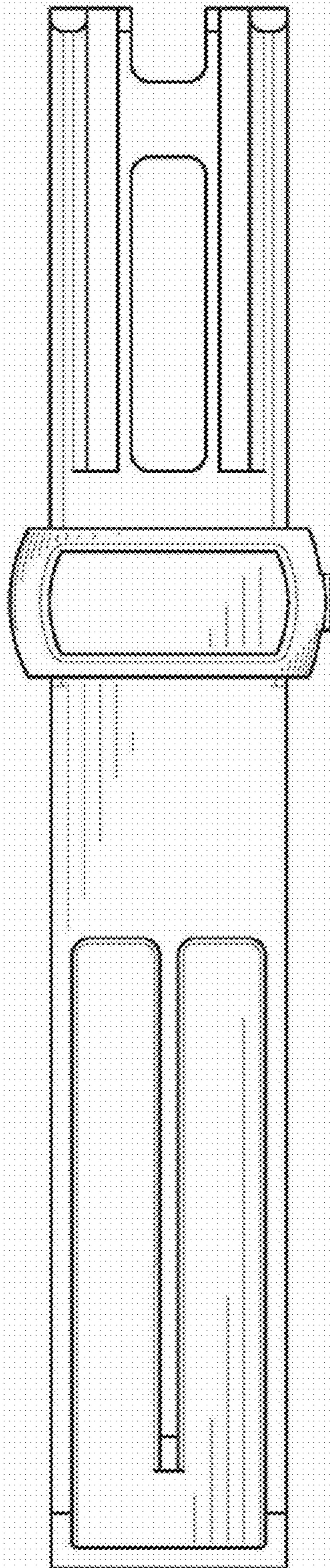


FIG. 6



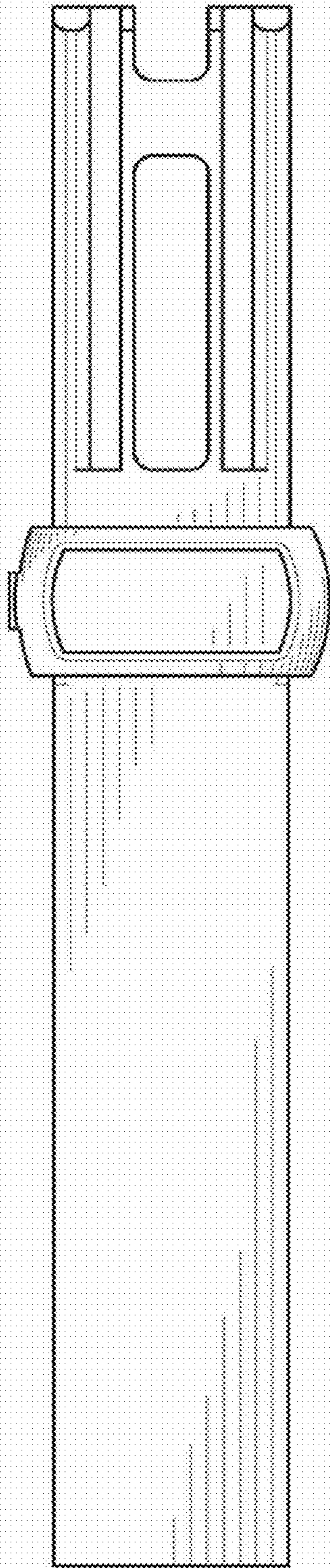


FIG. 7

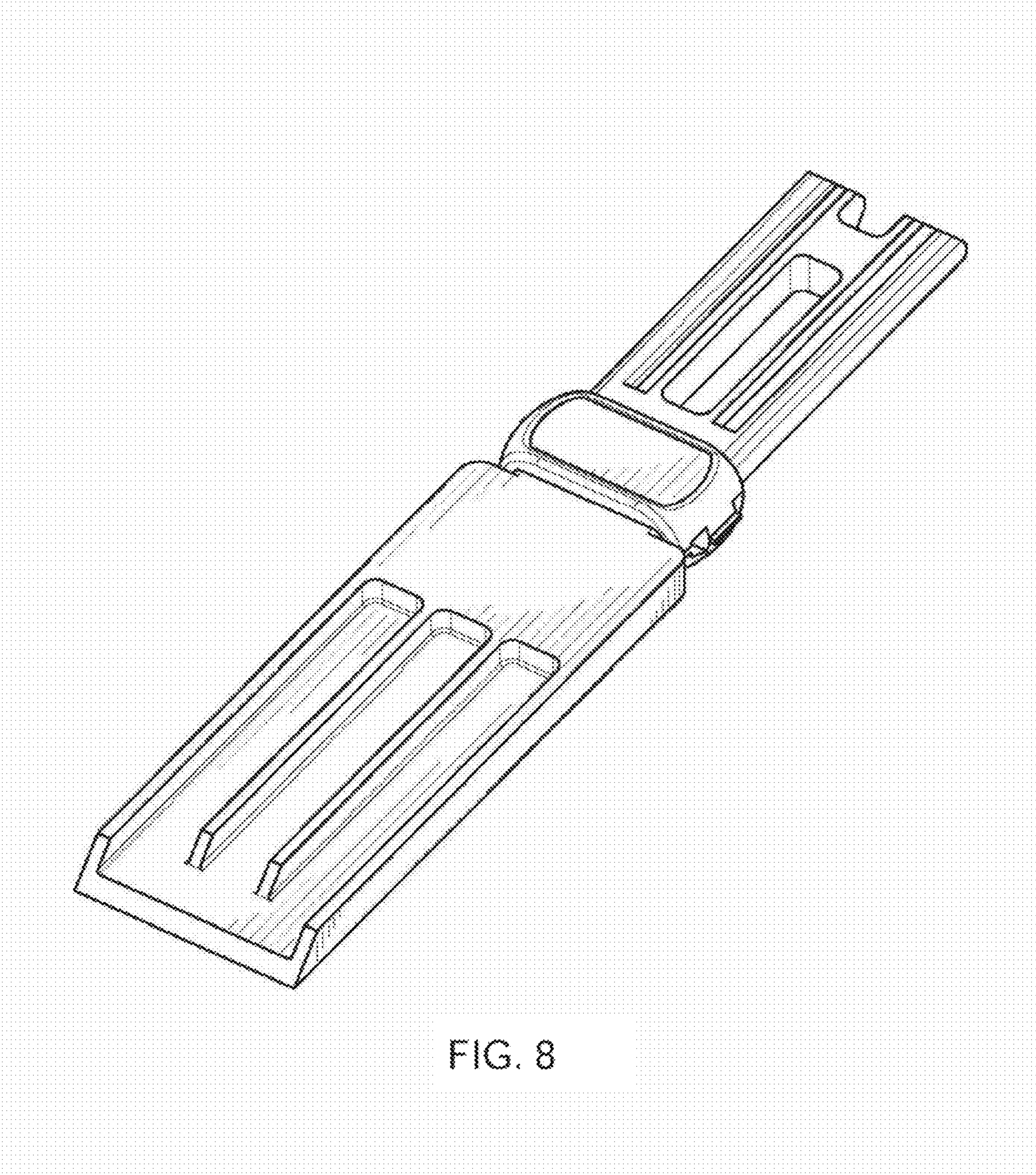


FIG. 8

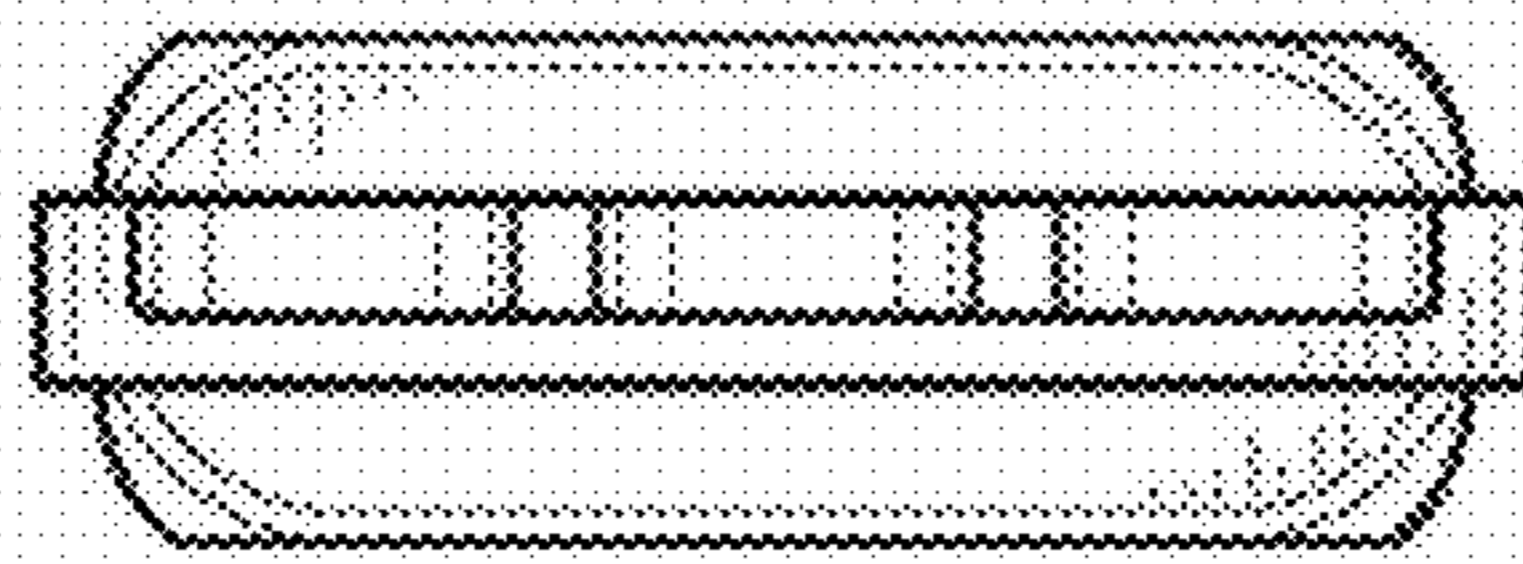


FIG. 9

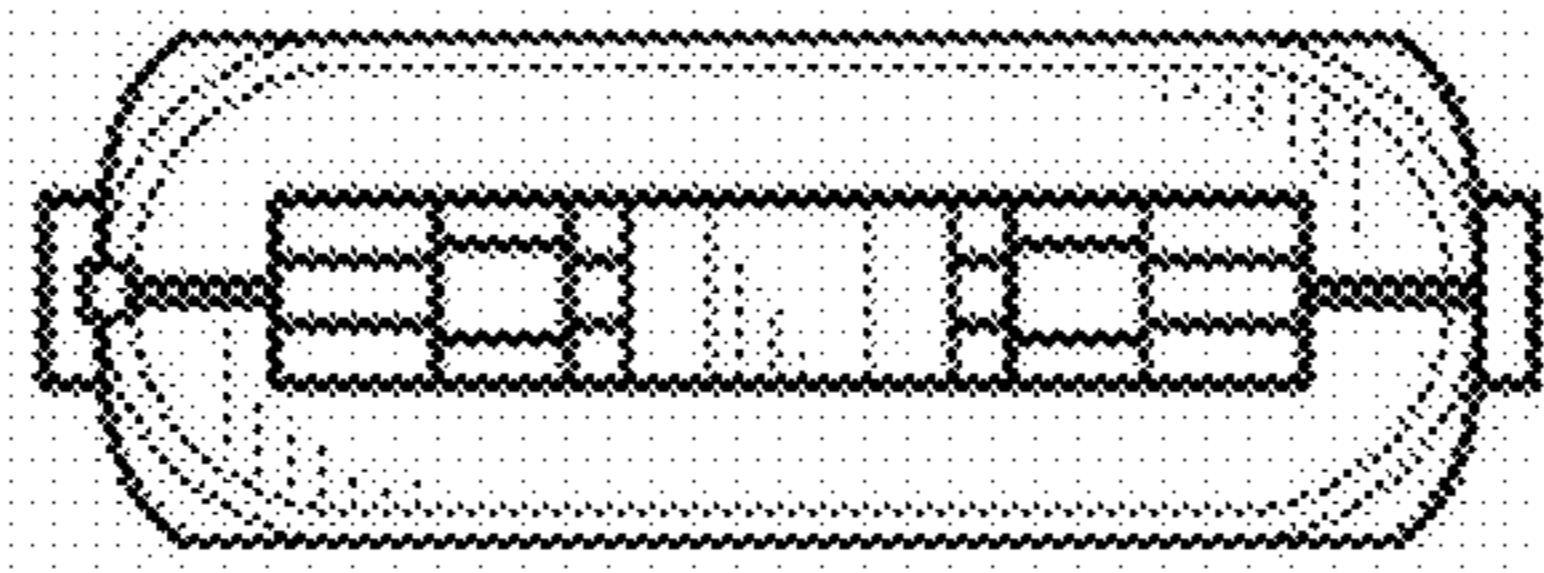


FIG. 10

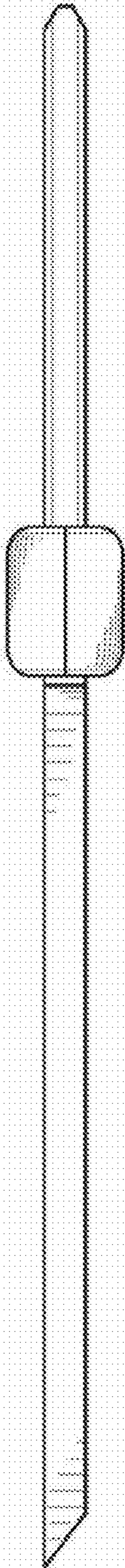


FIG. 11

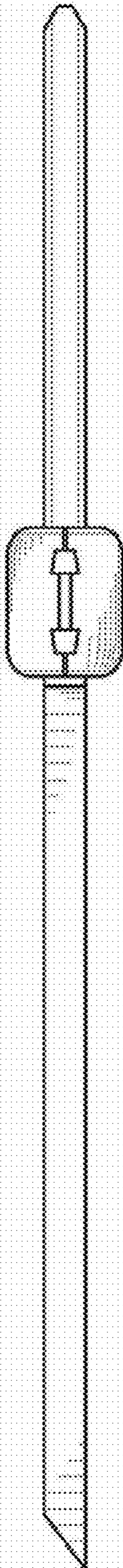


FIG. 12

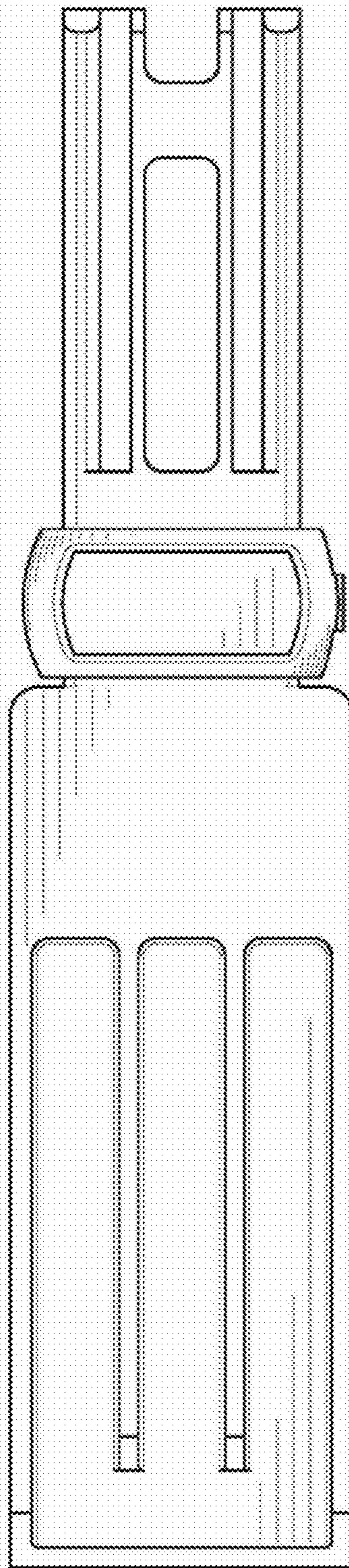


FIG. 13

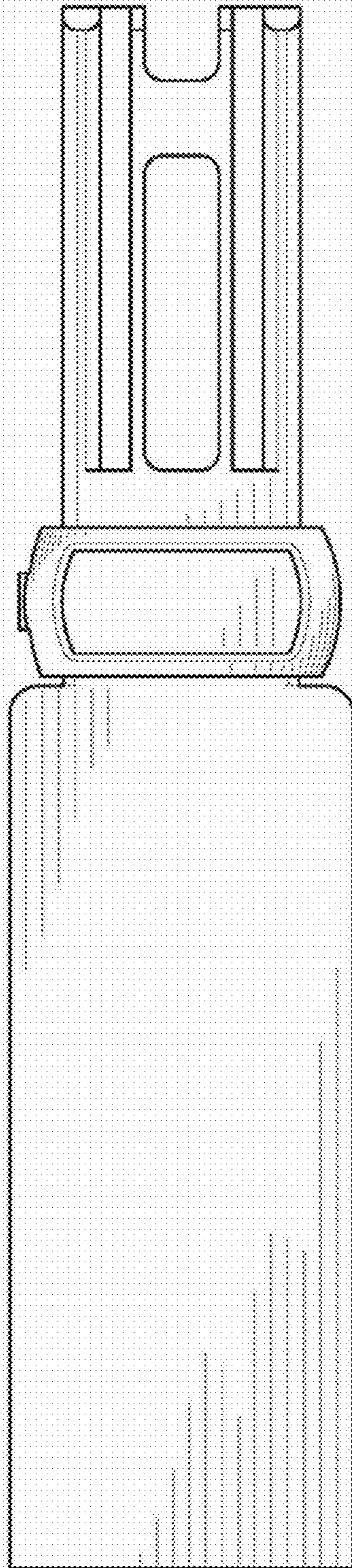


FIG. 14