



US00D743651S

(12) **United States Design Patent**
Hoffman

(10) **Patent No.:** **US D743,651 S**

(45) **Date of Patent:** **** Nov. 17, 2015**

(54) **CARTRIDGE FOR AN ENVIRONMENTAL
CLEANING DEVICE**

(71) Applicant: **Michael Hoffman**, Tel-Aviv (IL)

(72) Inventor: **Michael Hoffman**, Tel-Aviv (IL)

(**) Term: **14 Years**

(21) Appl. No.: **29/479,100**

(22) Filed: **Jan. 12, 2014**

(51) **LOC (10) Cl.** **15-05**

(52) **U.S. Cl.**
USPC **D32/25**

(58) **Field of Classification Search**
USPC D32/1, 15-16, 19-20, 22
CPC A47L 11/4069; A47L 11/4038; A47L
11/4075

See application file for complete search history.

(56) **References Cited**

U.S. PATENT DOCUMENTS

D286,912 S *	11/1986	Andersen	D24/224
D314,460 S *	2/1991	Paulin	D32/71
D332,480 S *	1/1993	Sieren	D23/207
D342,304 S *	12/1993	Kashani	D23/207
D377,515 S *	1/1997	Hembree et al.	D23/209
D397,764 S *	9/1998	Strand	D23/209

D470,288 S *	2/2003	Bas	D32/71
D578,179 S *	10/2008	Verdon	D23/207
D584,867 S *	1/2009	Zach et al.	D32/45
D601,238 S *	9/2009	Lundgren et al.	D23/365
D635,233 S *	3/2011	Nelson et al.	D23/365
D637,689 S *	5/2011	Hong	D23/207
D646,369 S *	10/2011	Nelson et al.	D23/365
D728,178 S *	4/2015	Crawley	D32/25

* cited by examiner

Primary Examiner — T. Chase Nelson
Assistant Examiner — Michelle E Wilson

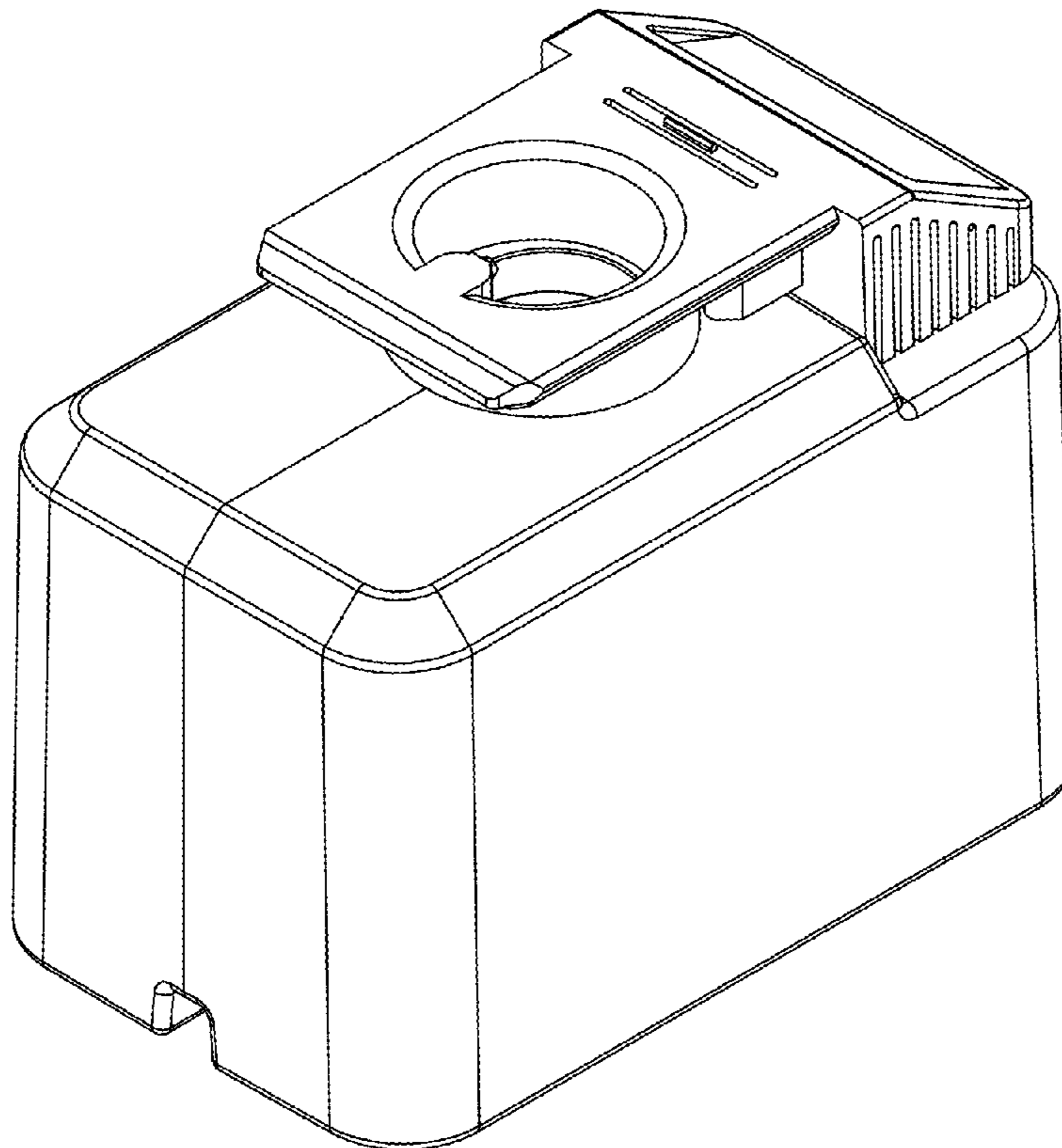
(57) **CLAIM**

The ornamental design for a cartridge for an environmental cleaning device, as shown.

DESCRIPTION

FIG. 1 is a rear perspective view of a cartridge for an environmental cleaning device;
FIG. 2 is a front perspective view thereof;
FIG. 3 is top view thereof;
FIG. 4 is a rear view thereof;
FIG. 5 is a side view thereof;
FIG. 6 is a front view thereof; and,
FIG. 7 is a bottom view thereof.

1 Claim, 7 Drawing Sheets



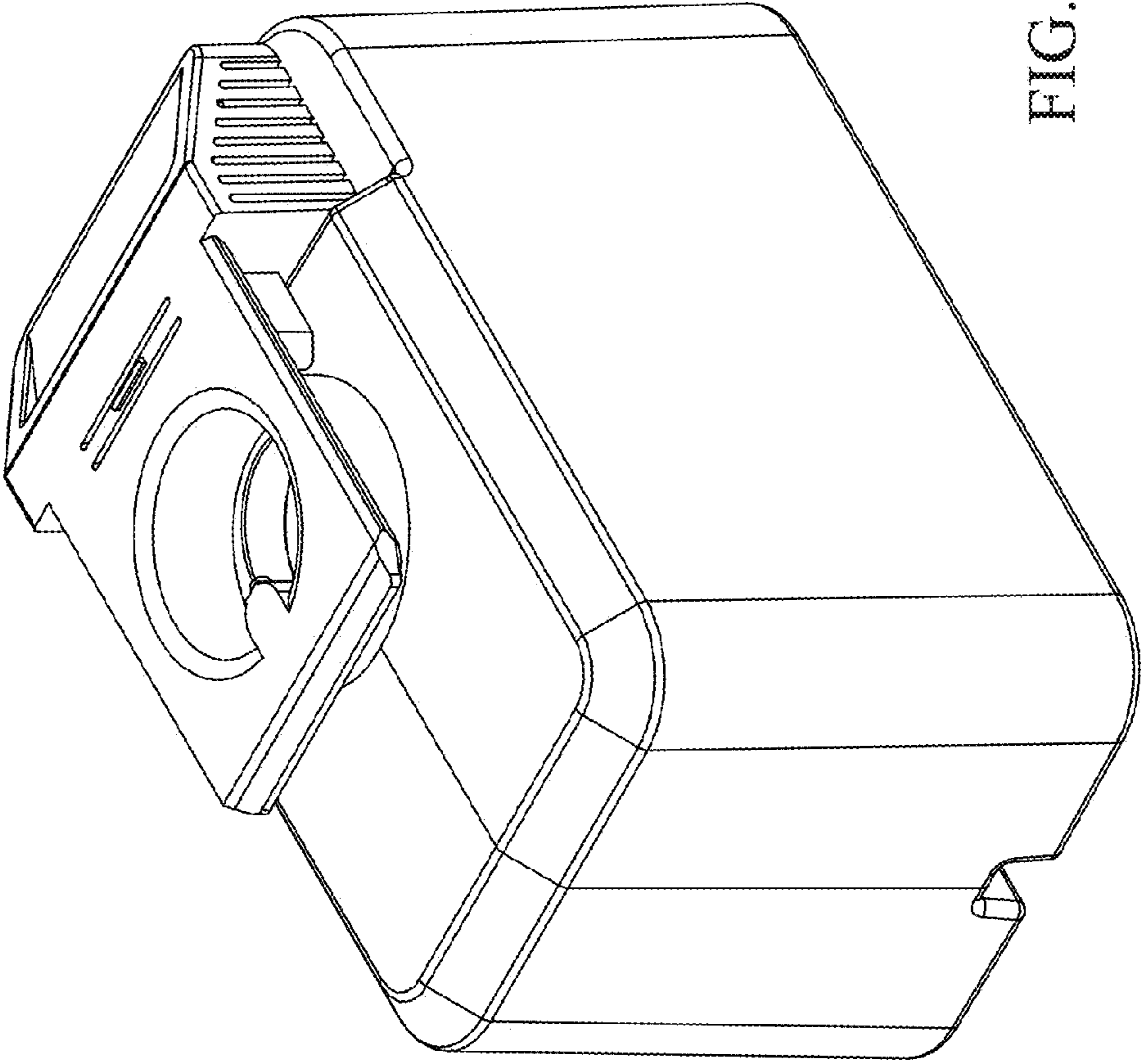


FIG. 1

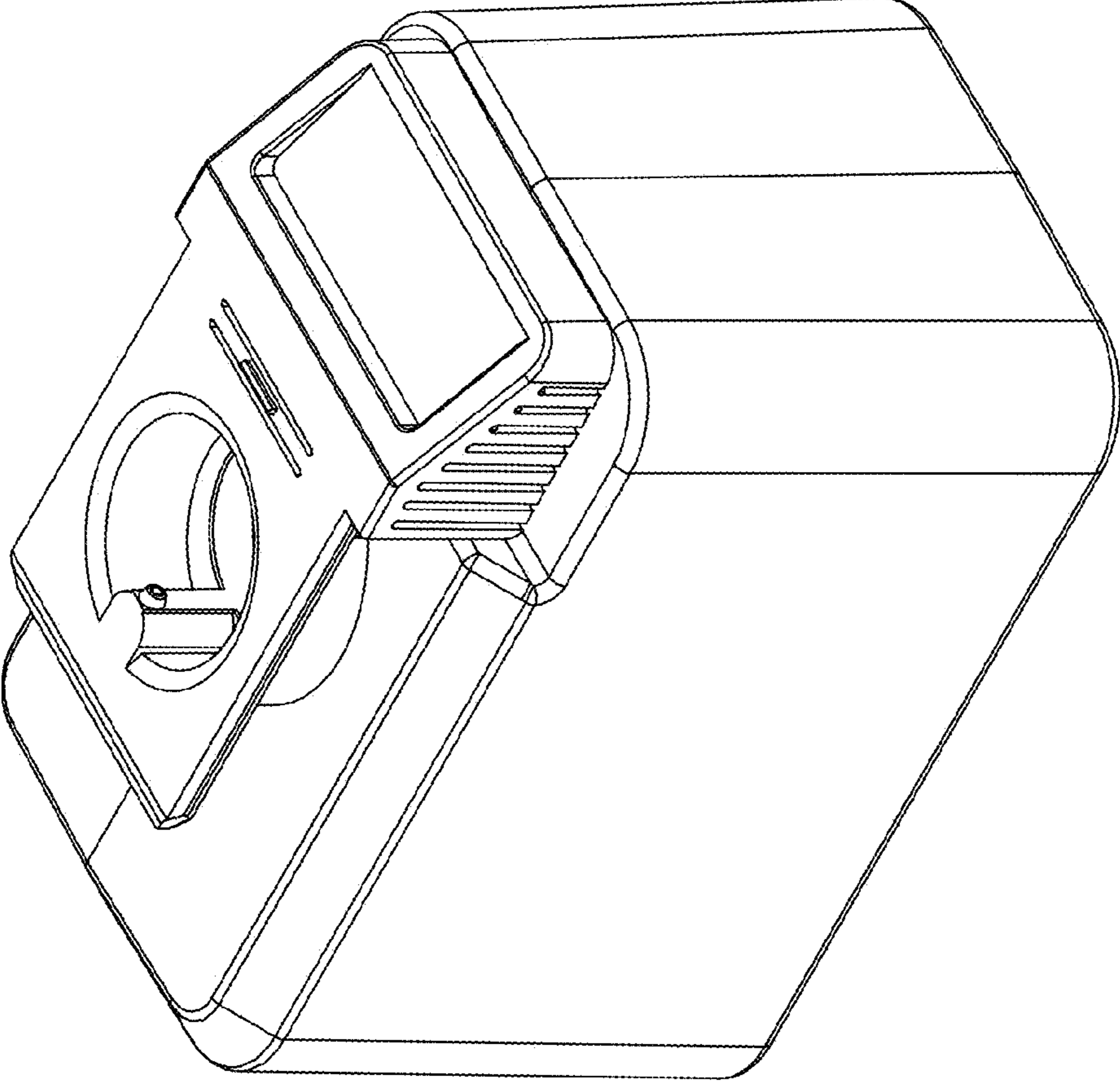


FIG. 2

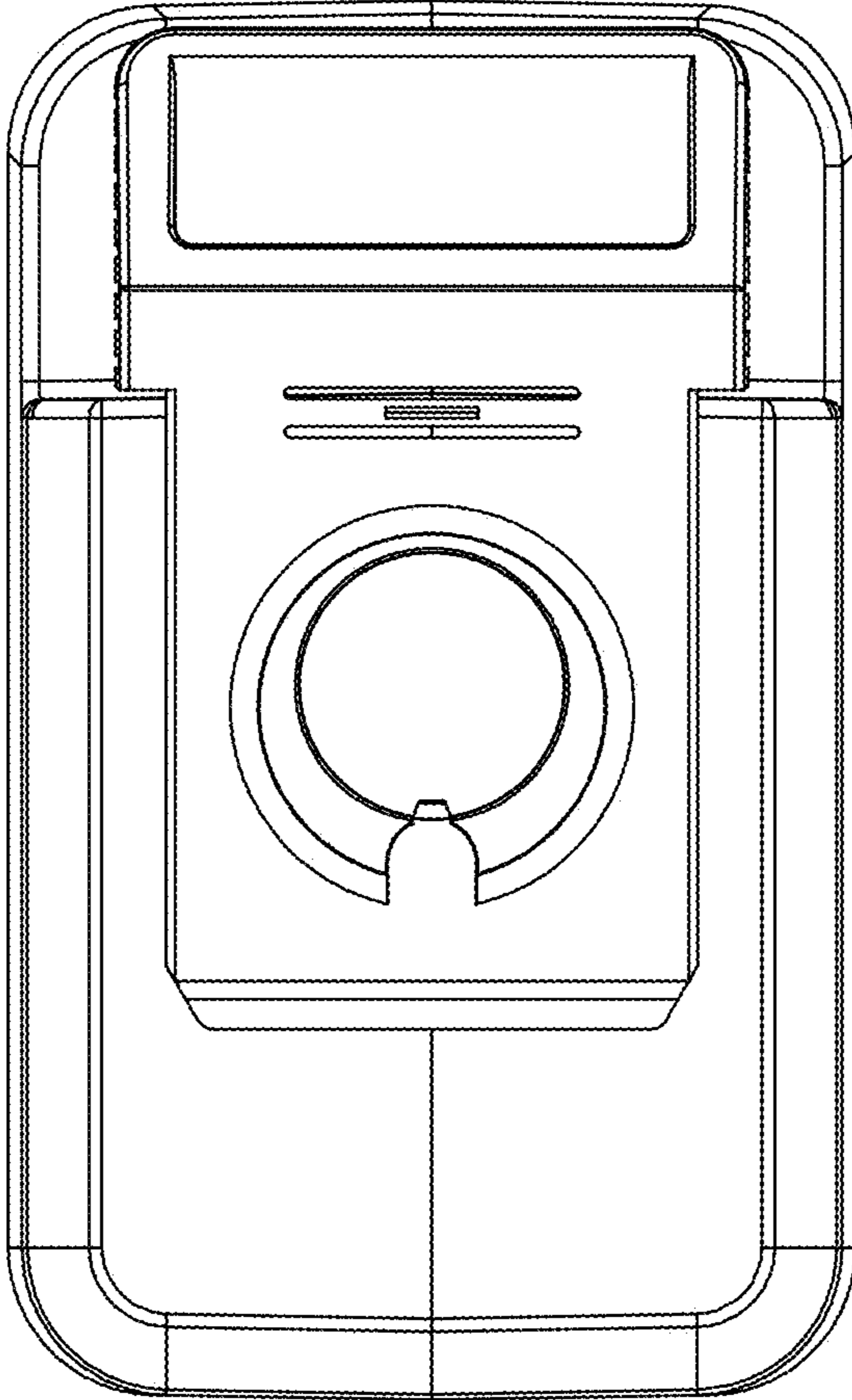


FIG. 3

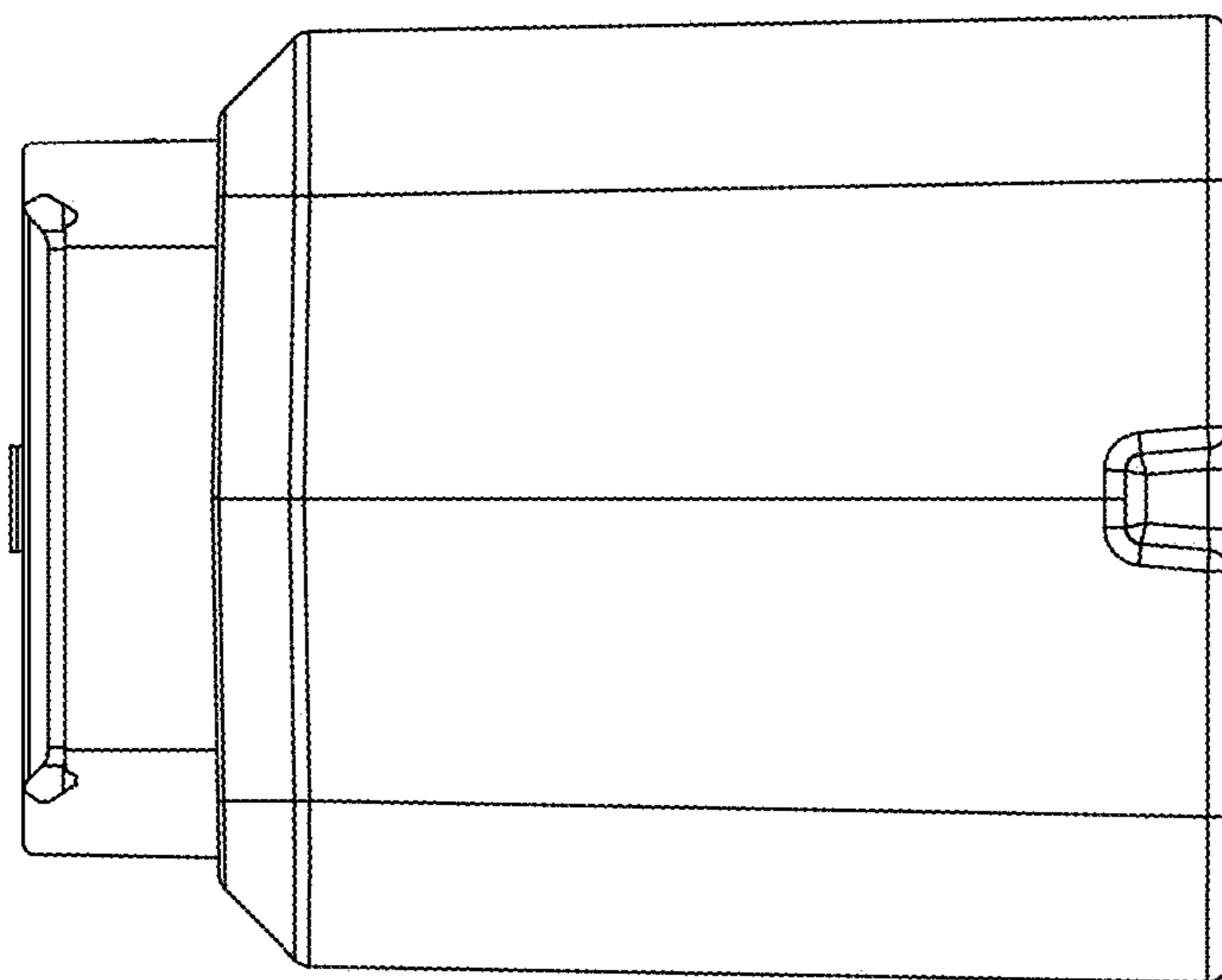


FIG. 4

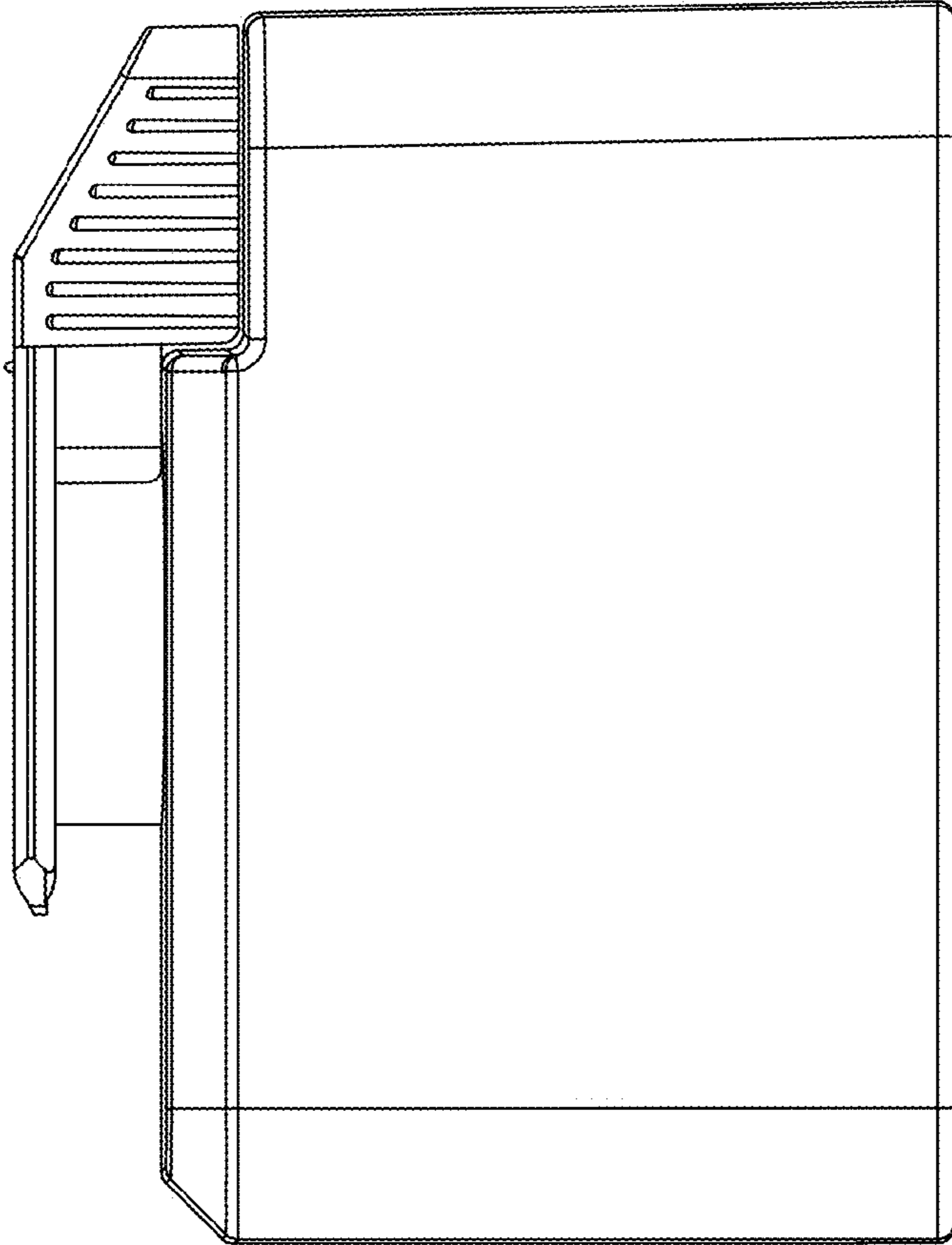


FIG. 5

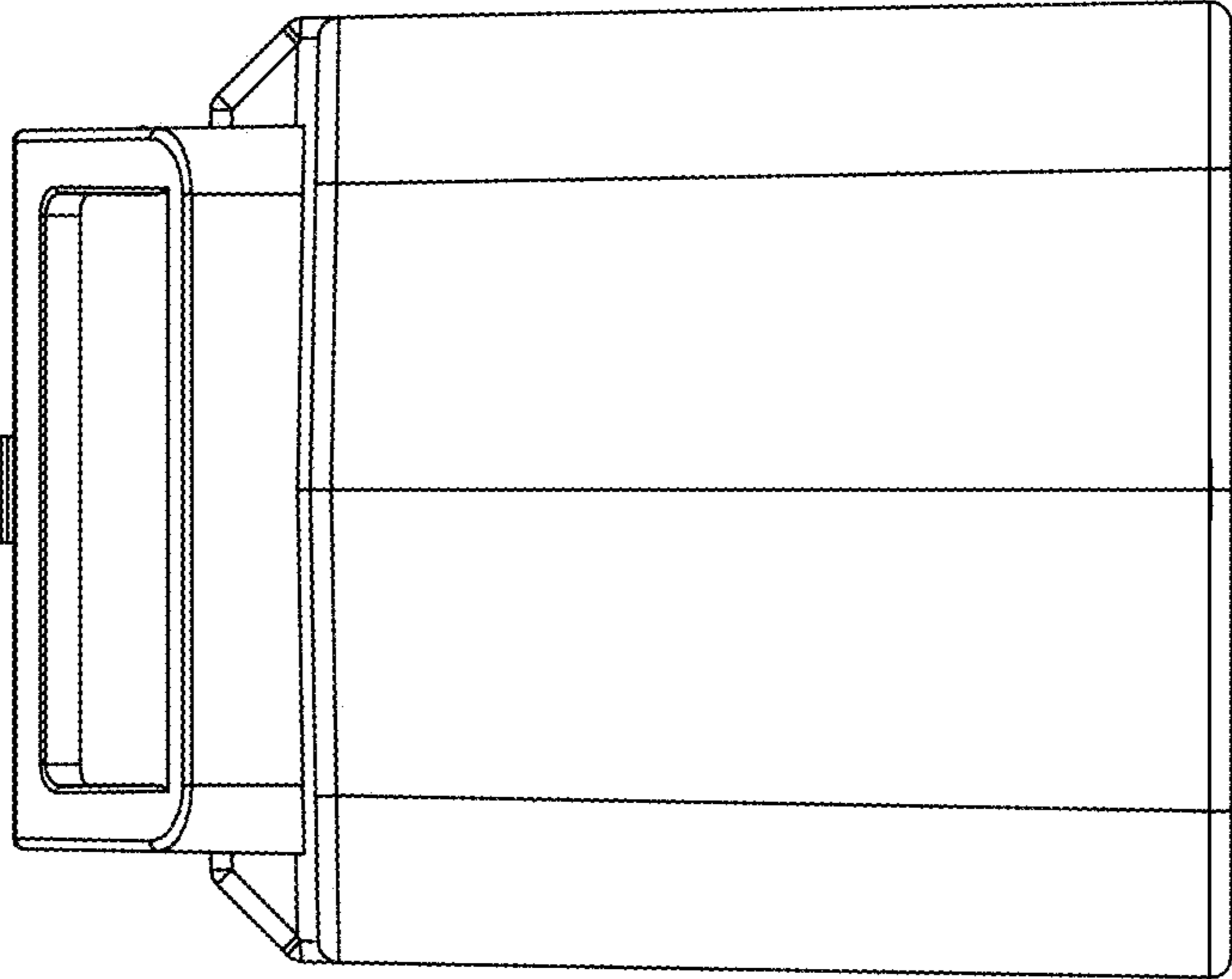


FIG. 6

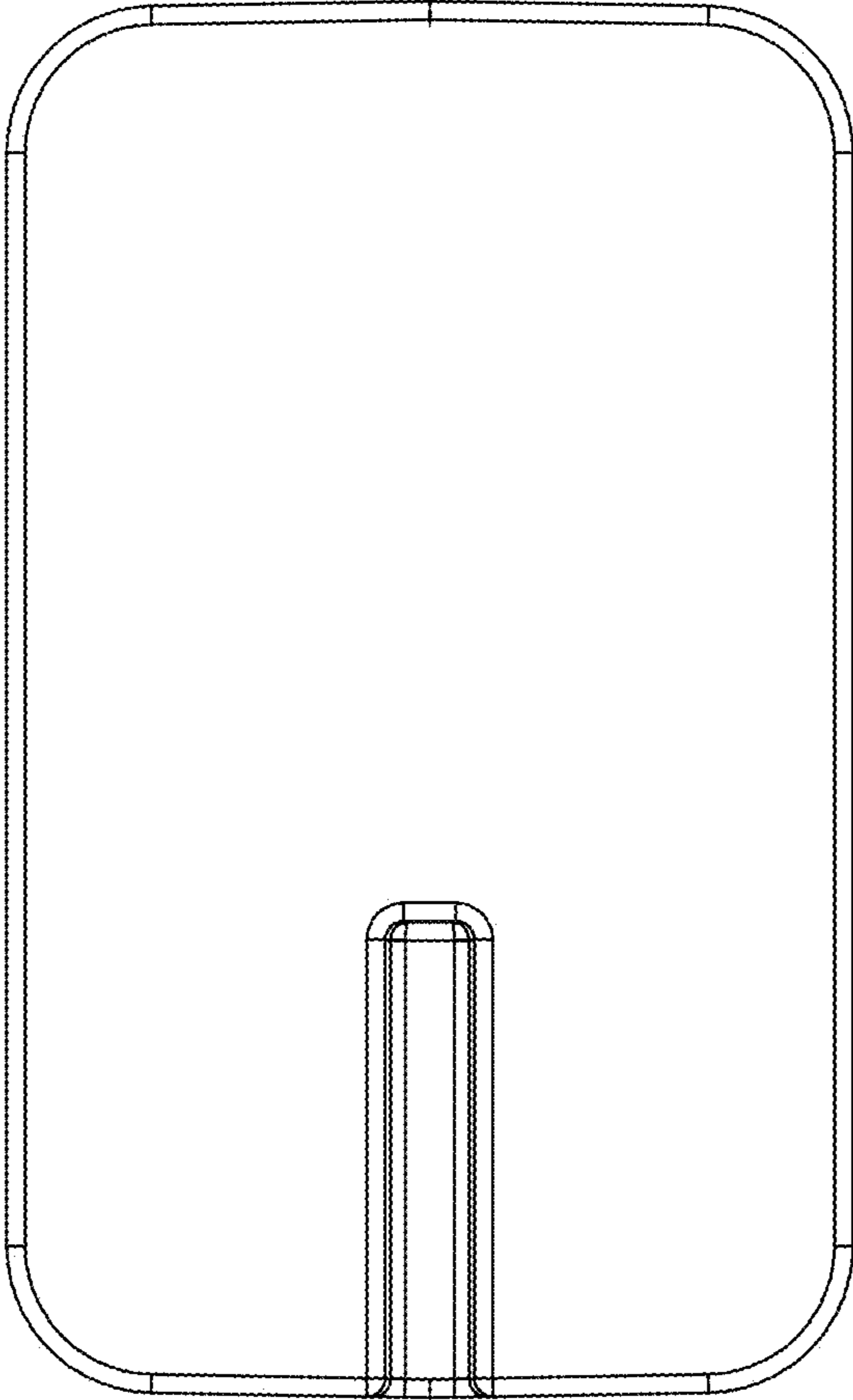


FIG. 7