



US00D743650S

(12) **United States Design Patent**
Ickes, III

(10) **Patent No.:** **US D743,650 S**

(45) **Date of Patent:** **** Nov. 17, 2015**

(54) **FRONT GRILL FOR A FLOOR
MAINTENANCE VEHICLE**

D565,810 S * 4/2008 Alexander D32/15
D571,512 S * 6/2008 Dammkoehler et al. D32/15
D572,638 S * 7/2008 Zimmermann et al. D12/169

(71) Applicant: **Tennant Company**, Minneapolis, MN
(US)

(Continued)

(72) Inventor: **John C. Ickes, III**, Rockford, MN (US)

FOREIGN PATENT DOCUMENTS

(73) Assignee: **Tennant Company**, Minneapolis, MN
(US)

CN 300883078 * 2/2009
CN 301020528 * 9/2009

(**) Term: **14 Years**

(21) Appl. No.: **29/446,248**

(22) Filed: **Feb. 21, 2013**

(51) **LOC (10) Cl.** **15-05**

(52) **U.S. Cl.**
USPC **D32/25**

(58) **Field of Classification Search**
USPC D32/16, 15, 25; 15/430.4, 50.1, 52.1,
15/320; D12/196, 169, 181; D4/199;
D15/9

See application file for complete search history.

OTHER PUBLICATIONS

Nodriza—Electric Street Sweeper, Announced Nov. 28, 2010, [Site
Visited Jan. 12, 2015] [http://www.coroflot.com/joseignacio1988/
nodriza-electric-street-sweeper.*](http://www.coroflot.com/joseignacio1988/nodriza-electric-street-sweeper.*)

(Continued)

Primary Examiner — Eric Goodman
Assistant Examiner — Luqman McNeil
(74) *Attorney, Agent, or Firm* — Fredrikson & Byron, P.A.

(57) **CLAIM**

I claim the ornamental design for a front grill for a floor
maintenance vehicle, as shown and described.

(56) **References Cited**

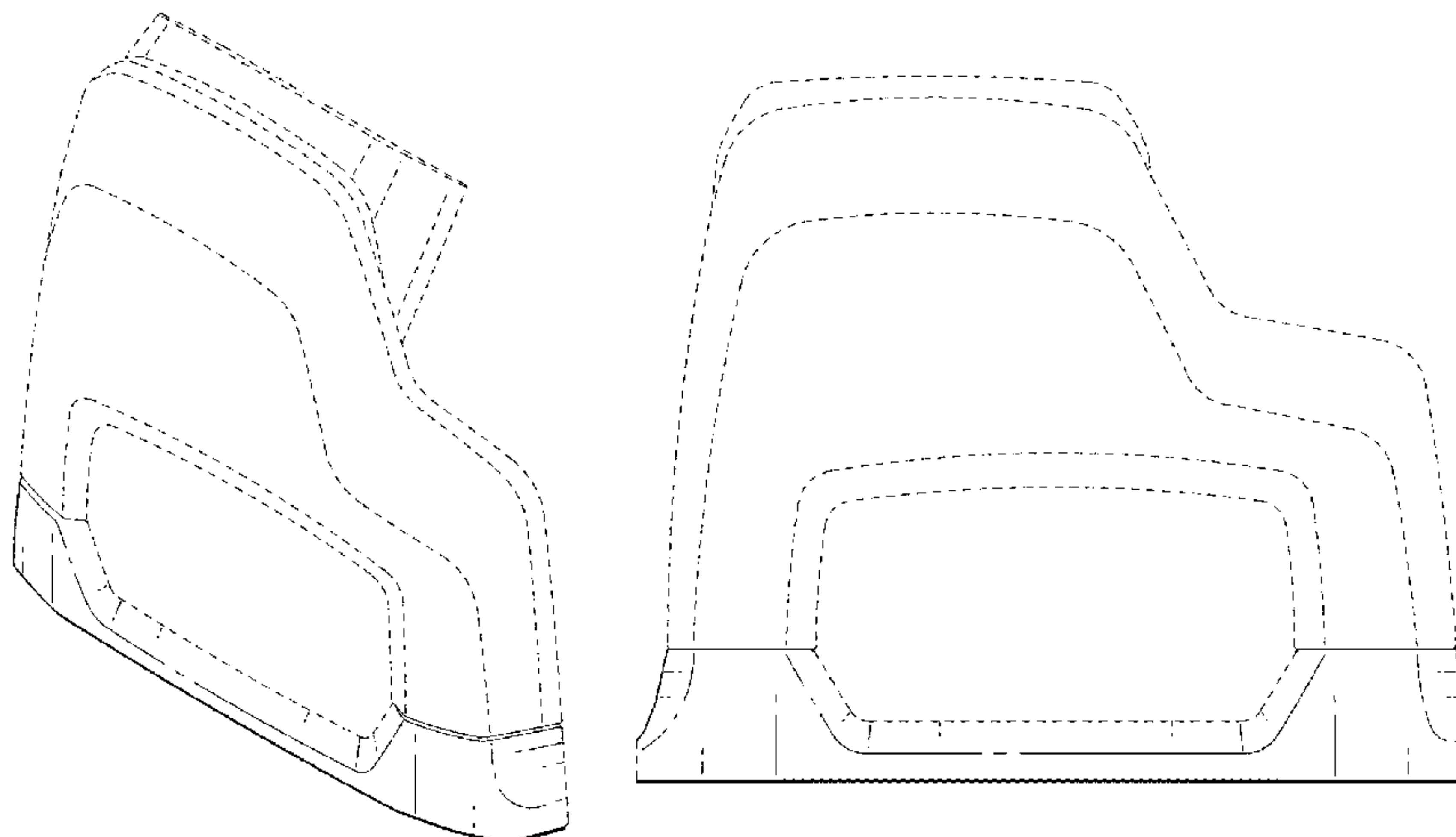
DESCRIPTION

U.S. PATENT DOCUMENTS

D189,718 S * 2/1961 Patch D32/16
2,972,159 A * 2/1961 Kimmerle et al. 15/340.4
4,009,500 A * 3/1977 Ashton 15/50.1
D273,620 S * 4/1984 Kimzey et al. D32/16
D273,622 S * 4/1984 Brown et al. D32/16
D314,257 S * 1/1991 Hoover D32/15
D332,158 S * 12/1992 Bothun et al. D32/15
5,509,162 A * 4/1996 Burgoon 15/52.1
D376,227 S * 12/1996 Knowlton et al. D32/16
D382,383 S * 8/1997 Knowlton et al. D32/16
D409,206 S 5/1999 Wang
D409,544 S * 5/1999 Voss et al. D12/196
D491,119 S * 6/2004 Metros et al. D12/169
D509,364 S * 9/2005 Berti D4/199
6,964,081 B1 * 11/2005 Clement et al. 15/320
D537,391 S 2/2007 Shimoguchi et al.
D539,197 S * 3/2007 Fujimaki D12/169

FIG. 1 is a front perspective view of a front grill for a floor
maintenance vehicle of my design shown in its ordinary envi-
ronment when in use, mounted at the front end of a floor
maintenance vehicle;
FIG. 2 is a front perspective view of the front grill for a floor
maintenance vehicle of my design;
FIG. 3 is a front elevation view thereof;
FIG. 4 is a top plan elevation view thereof;
FIG. 5 is a right-side elevation view thereof;
FIG. 6 is a left-side elevation view thereof;
FIG. 7 is a rear elevation view thereof; and,
FIG. 8 is a bottom plan view thereof.
The broken line showing is included for the purpose of illus-
trating environment and forms no part of the claimed design.

1 Claim, 4 Drawing Sheets



(56)

References Cited

U.S. PATENT DOCUMENTS

D580,114 S * 11/2008 Rummel D32/15
D580,606 S * 11/2008 Dammkoehler et al. D32/16
D582,324 S * 12/2008 Miyazawa D12/163
D585,609 S * 1/2009 Dammkoehler et al. D32/25
D589,662 S * 3/2009 Dammkoehler et al. D32/16
D607,382 S * 1/2010 Nakahara D12/169
D609,143 S * 2/2010 Krugger et al. D12/169
D614,090 S * 4/2010 Ectors et al. D12/169
D614,099 S * 4/2010 Ectors et al. D12/181
D621,853 S * 8/2010 Sundheim et al.
D623,993 S * 9/2010 Miyazawa et al. D12/169
D624,562 S * 9/2010 Neeley et al. D15/17

D627,277 S * 11/2010 Cogswell D12/169
D638,760 S * 5/2011 Okada
D641,765 S * 7/2011 Vieira D15/9
D642,098 S * 7/2011 Mueller-Stolz et al.
D642,965 S * 8/2011 Mueller-Stolz et al.
2007/0169290 A1 * 7/2007 Fitzgerald 15/79.1

OTHER PUBLICATIONS

Electric Street Sweeper FM -09- 1550, Announced Sep. 3, 2009, [Site Visited Jan. 12, 2015]http://cnfloormate.en.alibaba.com/product/356001876-210351162/electric_street_sweeper_FM_09_1550.html.*

* cited by examiner

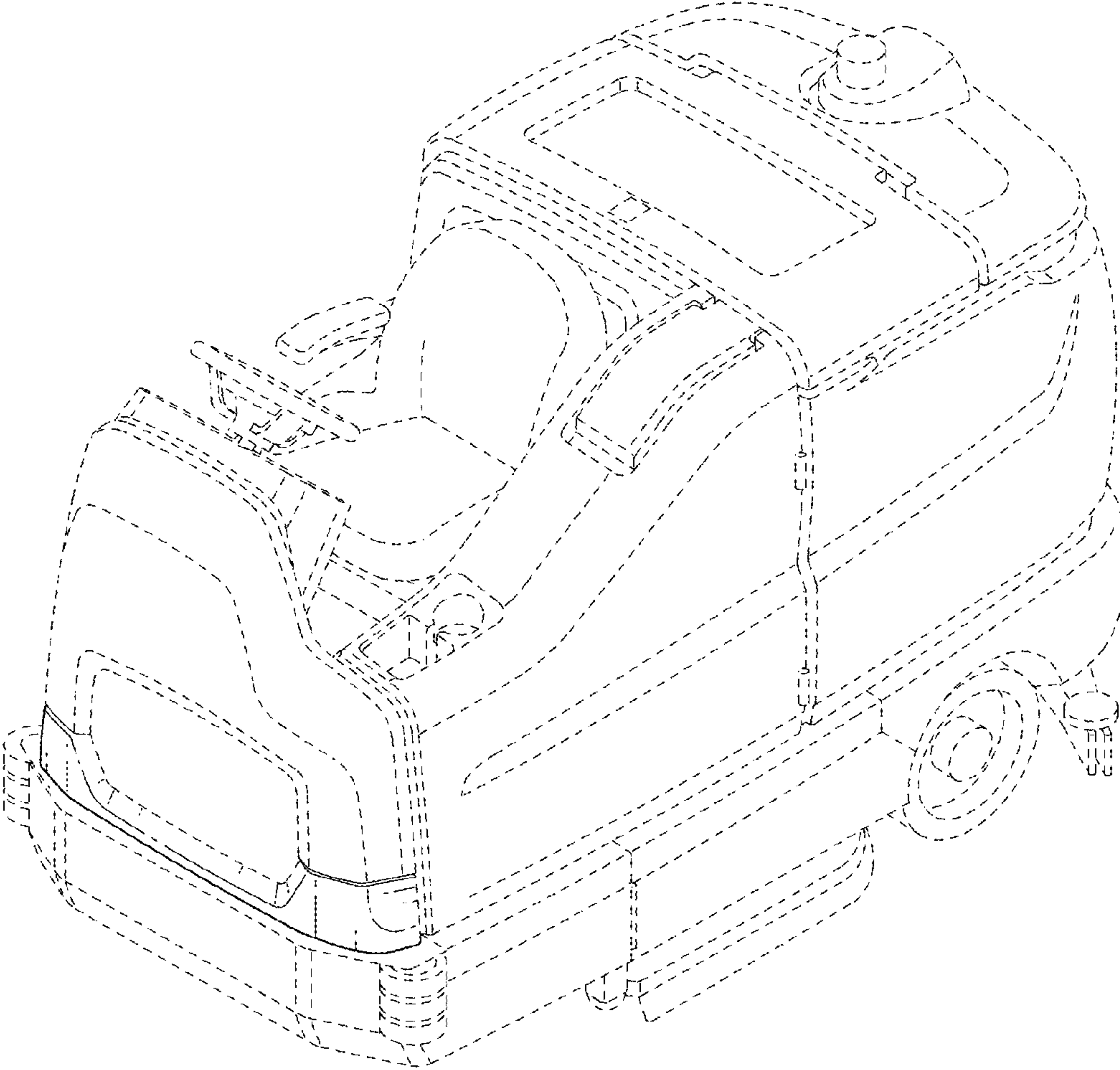


FIG. 1

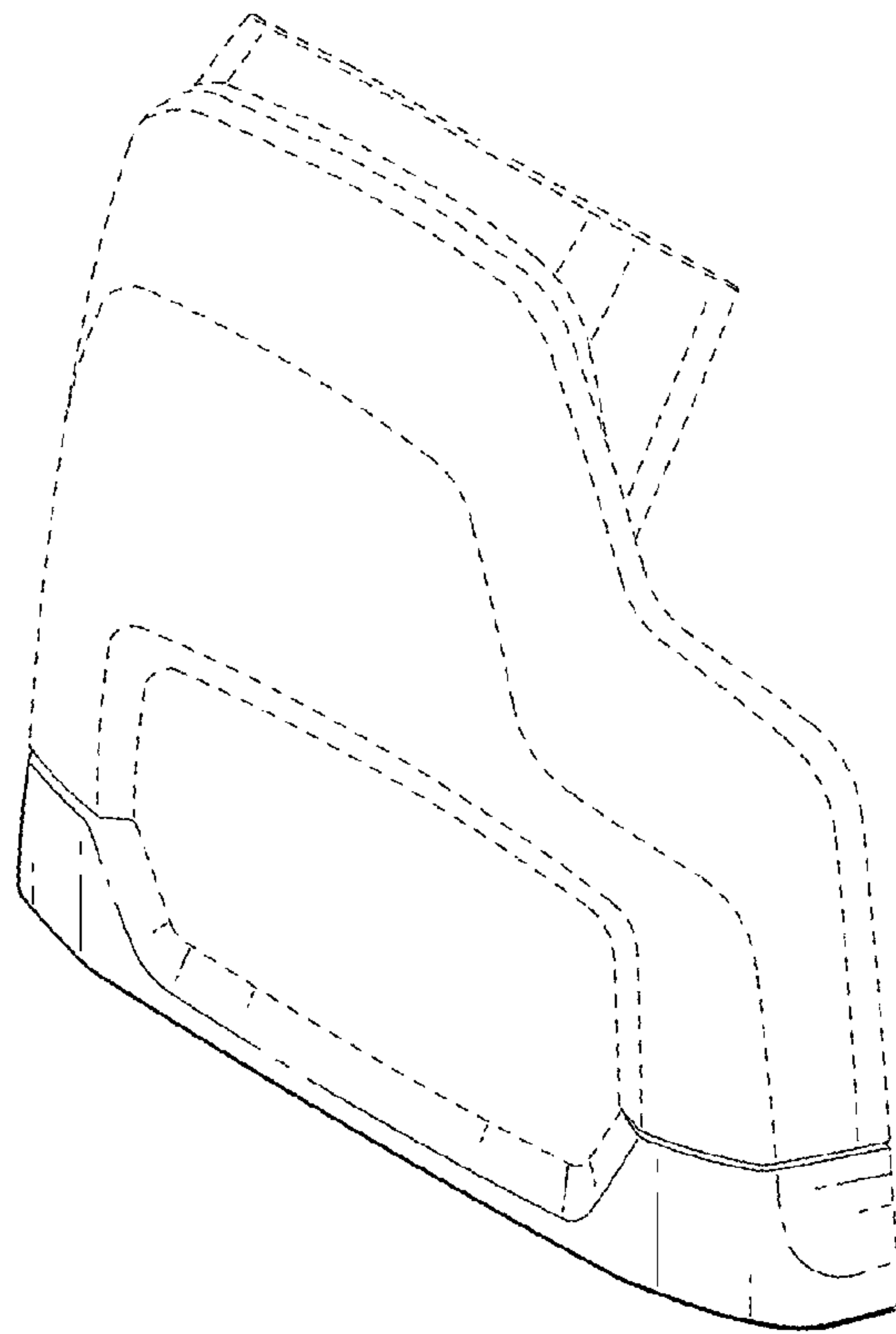


FIG. 2

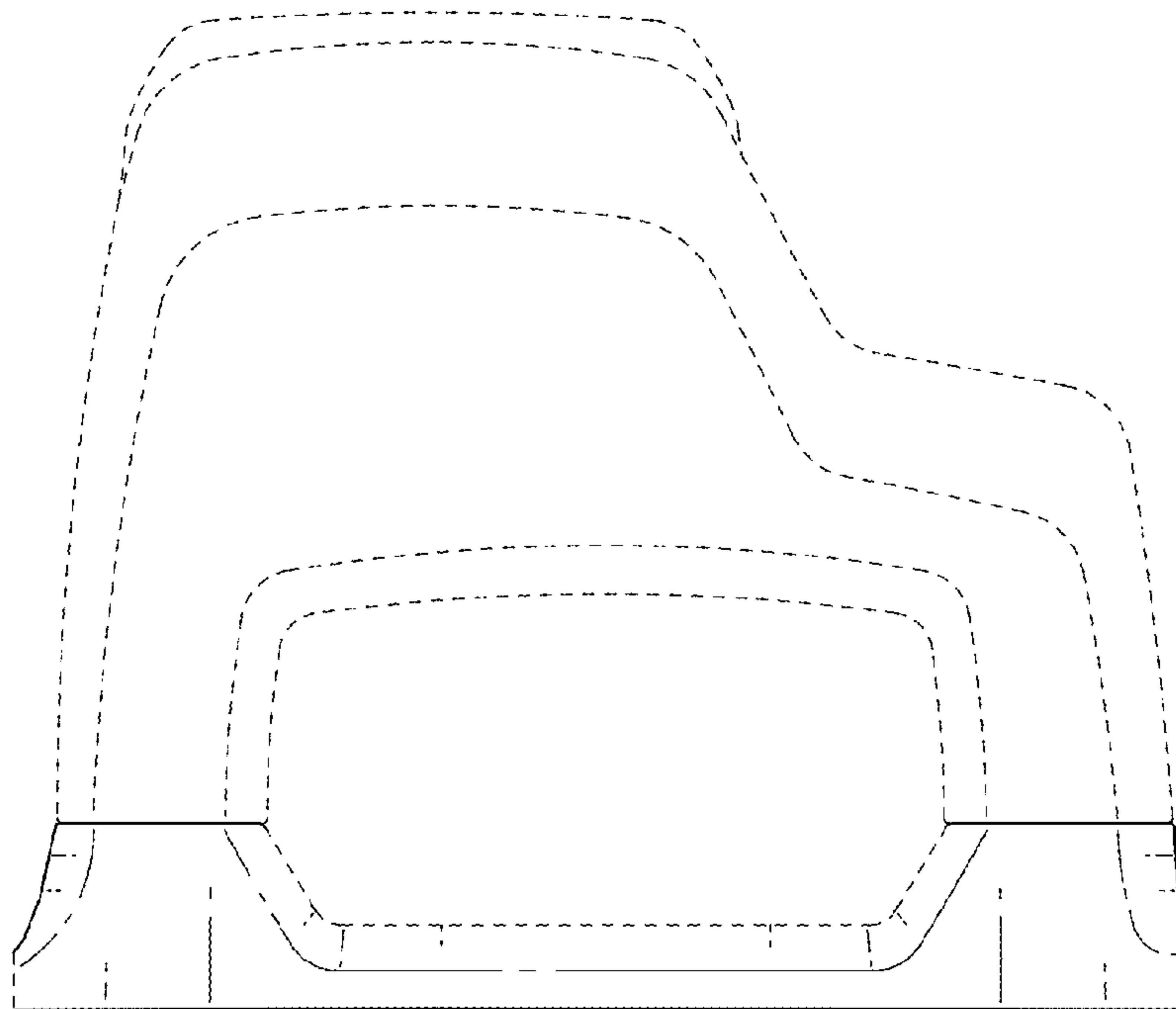


FIG. 3

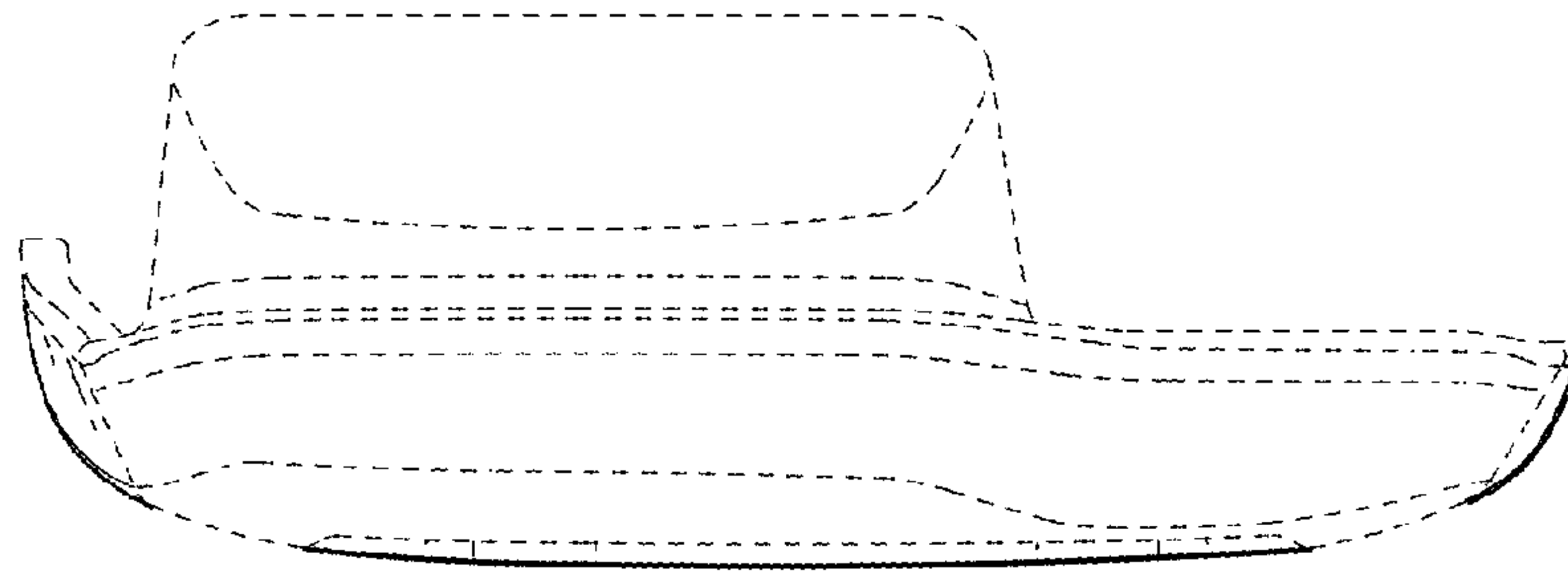


FIG. 4

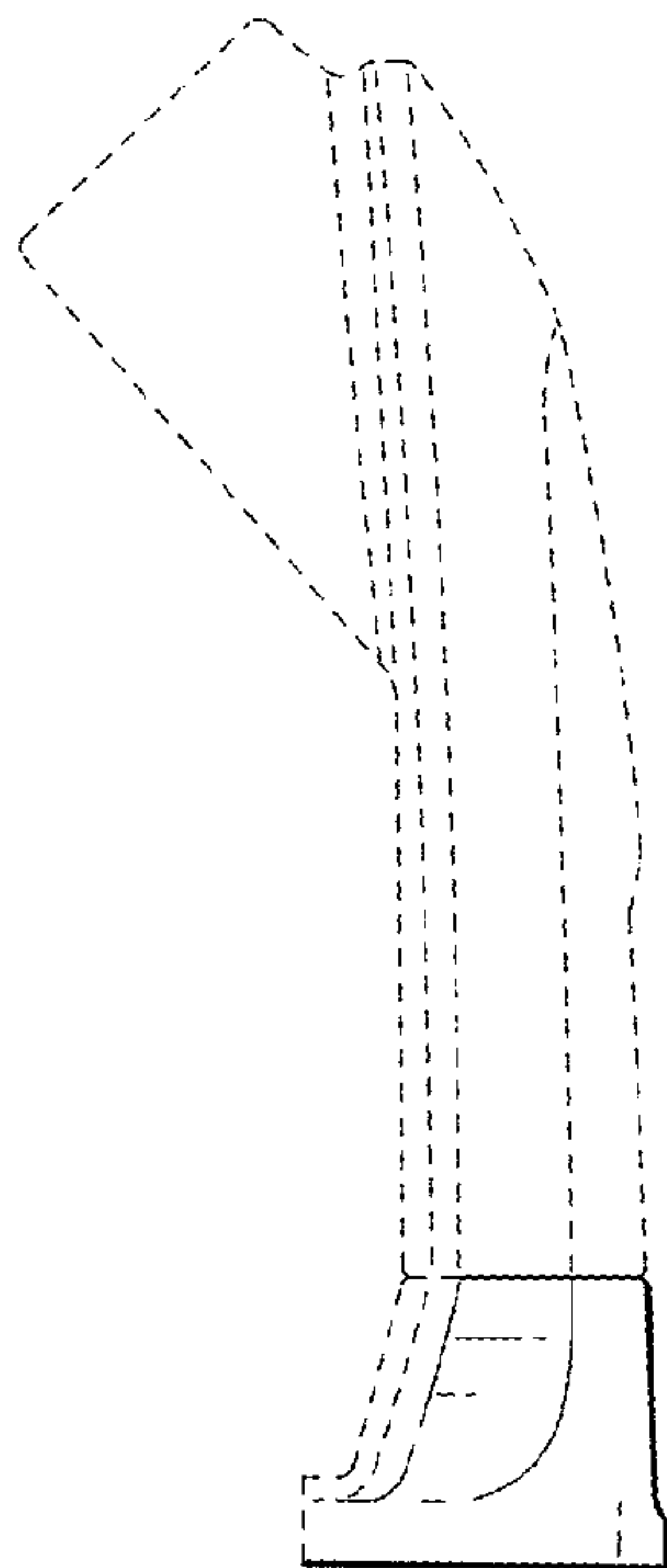


FIG. 5

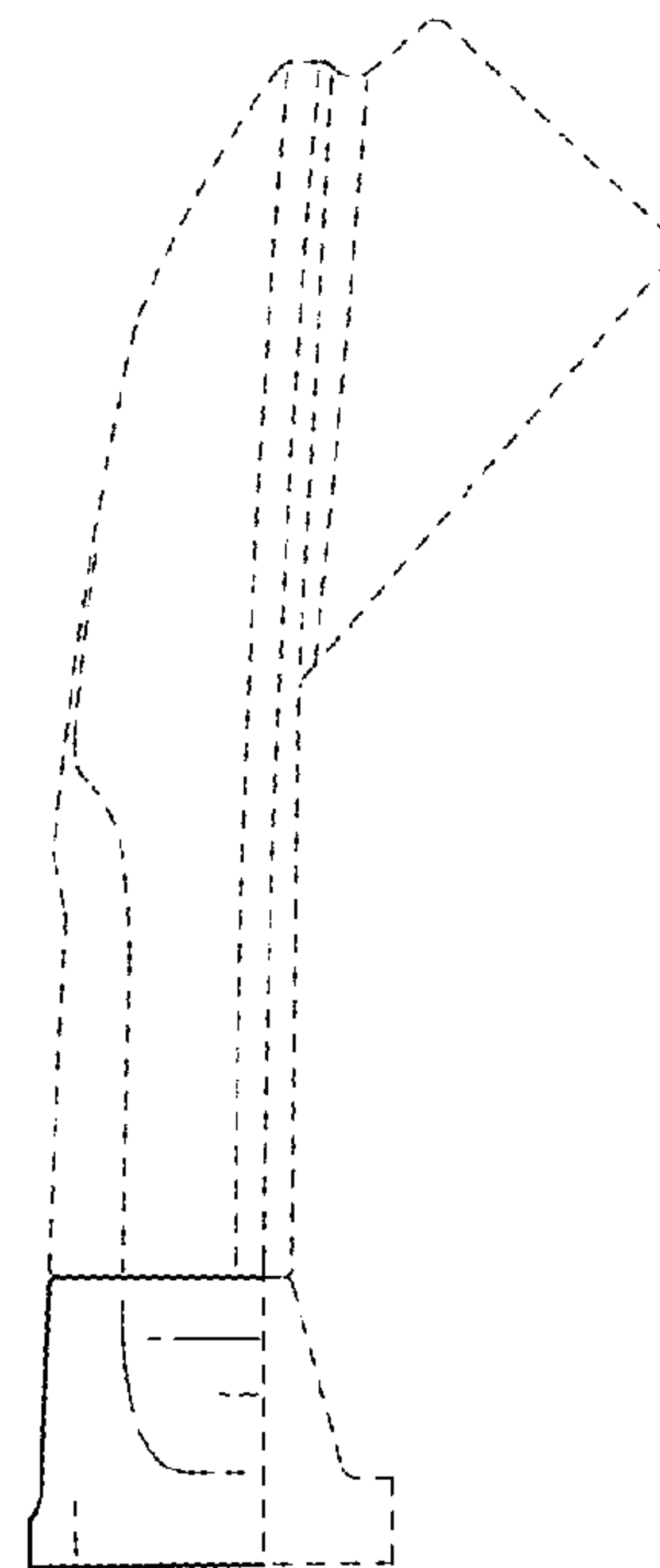


FIG. 6

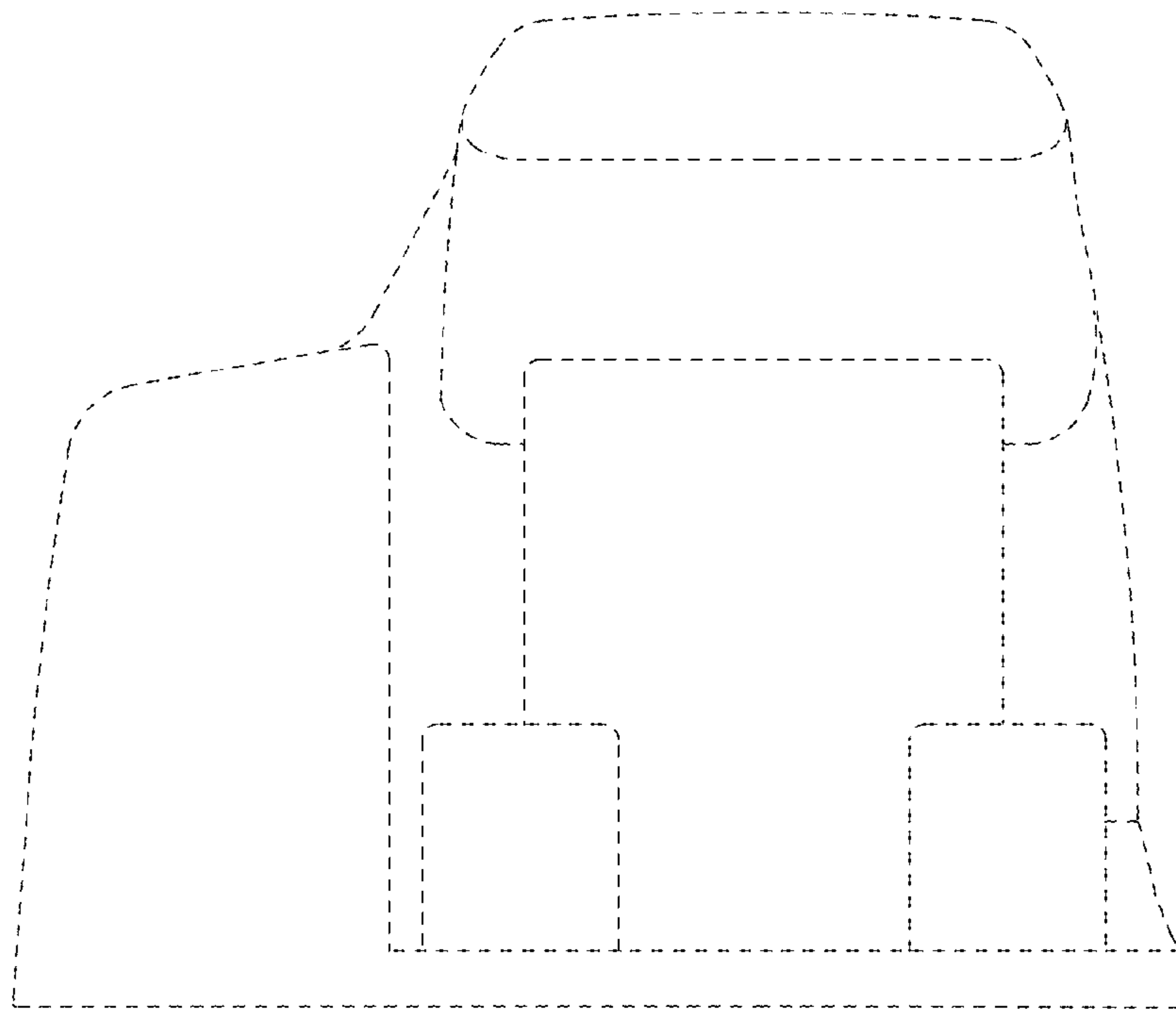


FIG. 7

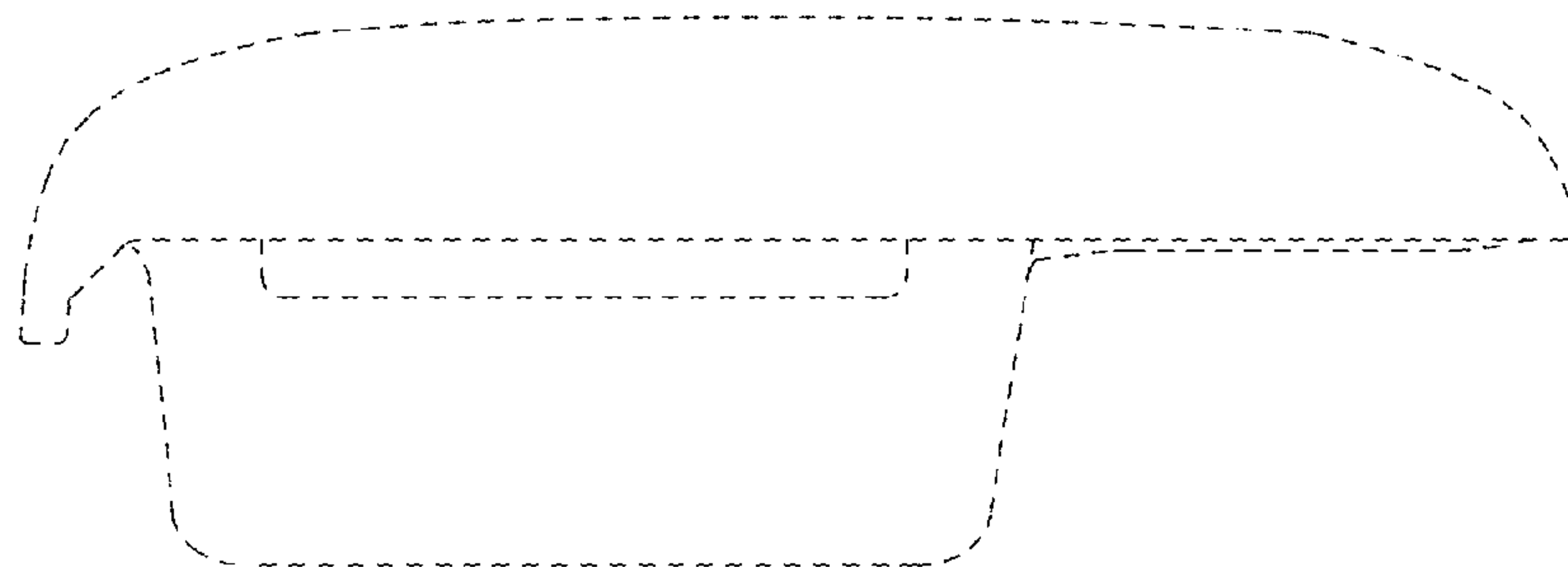


FIG. 8