



US00D743649S

(12) **United States Design Patent**
Yoon et al.

(10) **Patent No.:** **US D743,649 S**

(45) **Date of Patent:** **** Nov. 17, 2015**

(54) **CLEANER**

(71) Applicant: **Samsung Electronics Co., Ltd.**,
Suwon-Si, Gyeonggi-Do (KR)

(72) Inventors: **Ki Hyun Yoon**, Busan (KR); **Sang Min Hyun**, Seoul (KR); **In Shik Kim**,
Seongnam-si (KR)

(73) Assignee: **Samsung Electronics Co., Ltd.**,
Gyeonggi-do (KR)

(**) Term: **14 Years**

(21) Appl. No.: **29/499,844**

(22) Filed: **Aug. 19, 2014**

(30) **Foreign Application Priority Data**

Feb. 20, 2014 (KR) 30-2014-0008683

(51) **LOC (10) Cl.** **15-05**

(52) **U.S. Cl.**
USPC **D32/22**

(58) **Field of Classification Search**
USPC D32/31, 21, 22, 24, 34; 15/350–353,
15/361–362, 347, 410–411, 414, 320–322,
15/329, 335, 246.2, 1.7, 340.2, DIG. 10
CPC A47L 5/24; A47L 11/34; A47L 5/362;
A47L 19/1666; A47L 9/325; B01D 45/12;
B01D 50/002

See application file for complete search history.

(56) **References Cited**

U.S. PATENT DOCUMENTS

D47,257	S	*	4/1915	Doty	D32/22
4,447,930	A	*	5/1984	Glenn et al.	15/322
5,075,921	A	*	12/1991	Gleadall	15/322
5,722,110	A	*	3/1998	McIntyre et al.	15/329
5,996,175	A	*	12/1999	Fusco	15/410
6,263,539	B1	*	7/2001	Baig	15/322
D653,825	S	*	2/2012	Cho et al.	D32/22
D682,496	S	*	5/2013	Bassett et al.	D32/22
8,800,102	B1	*	8/2014	Massey	15/320
2006/0156510	A1	*	7/2006	Park et al.	15/414
2009/0019663	A1	*	1/2009	Rowntree	15/347

* cited by examiner

Primary Examiner — Ruth McInroy

(74) *Attorney, Agent, or Firm* — Harness, Dickey & Pierce,
P.L.C.

(57) **CLAIM**

We claim the ornamental design for a cleaner, as shown and described.

DESCRIPTION

FIG. 1 is the front perspective view of a cleaner showing our new design;
FIG. 2 is the front view thereof;
FIG. 3 is the rear view thereof;
FIG. 4 is the left-side view thereof;
FIG. 5 is the right-side view thereof;
FIG. 6 is the top-side plan view thereof;
FIG. 7 is the bottom-side plan view thereof; and,
FIG. 8 is a front perspective view shown in an alternate position.

1 Claim, 8 Drawing Sheets

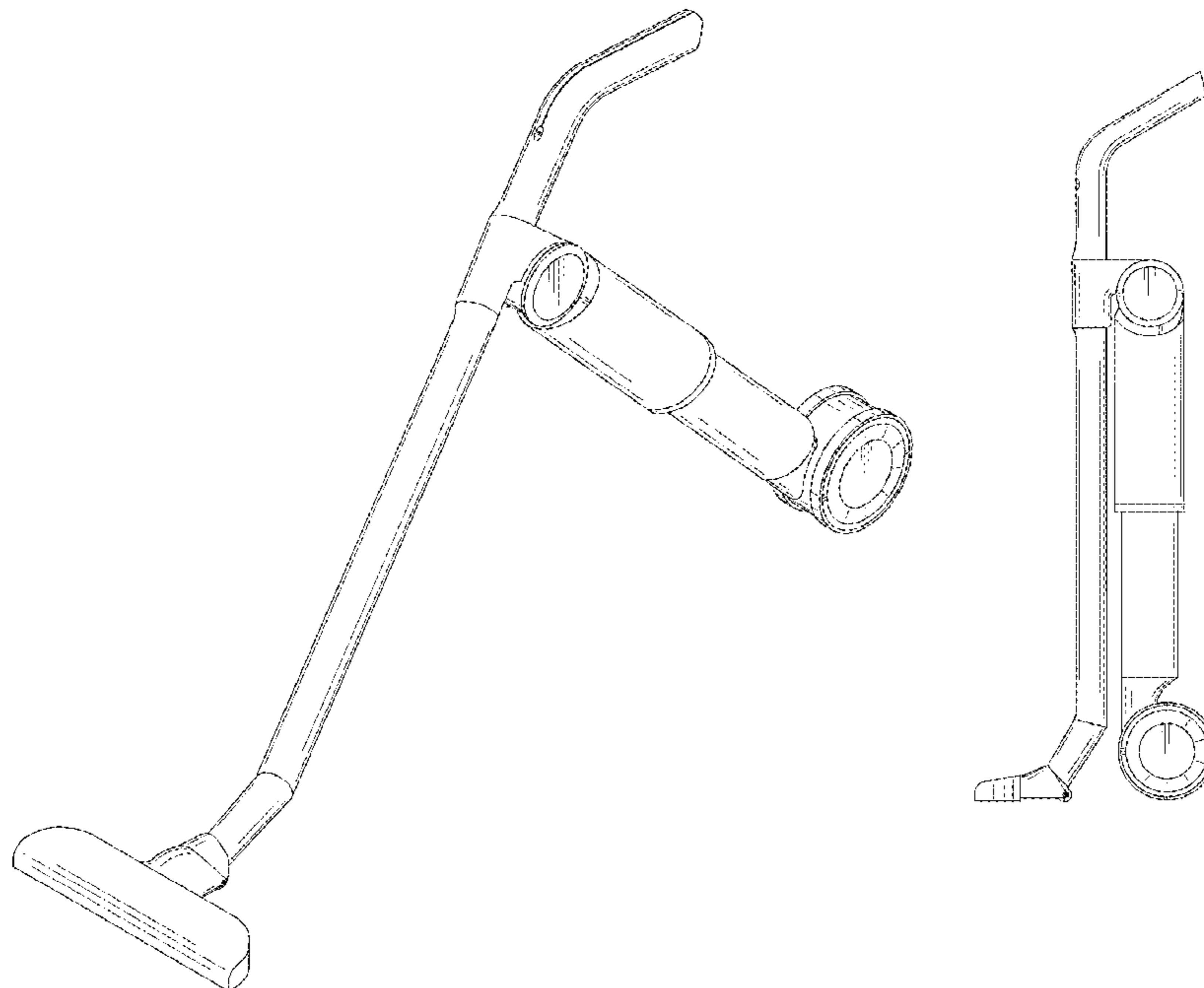


FIG. 1

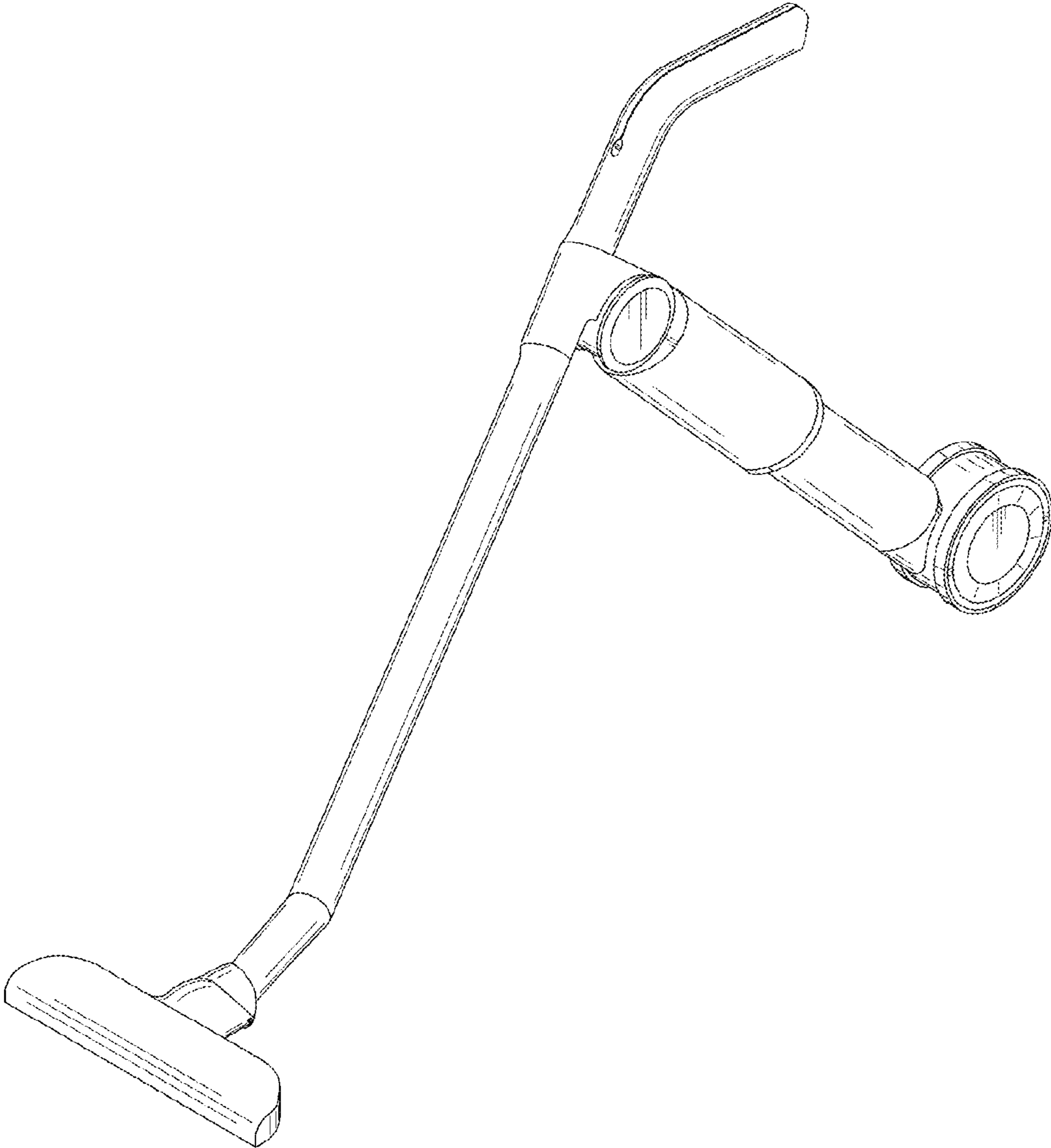


FIG. 2

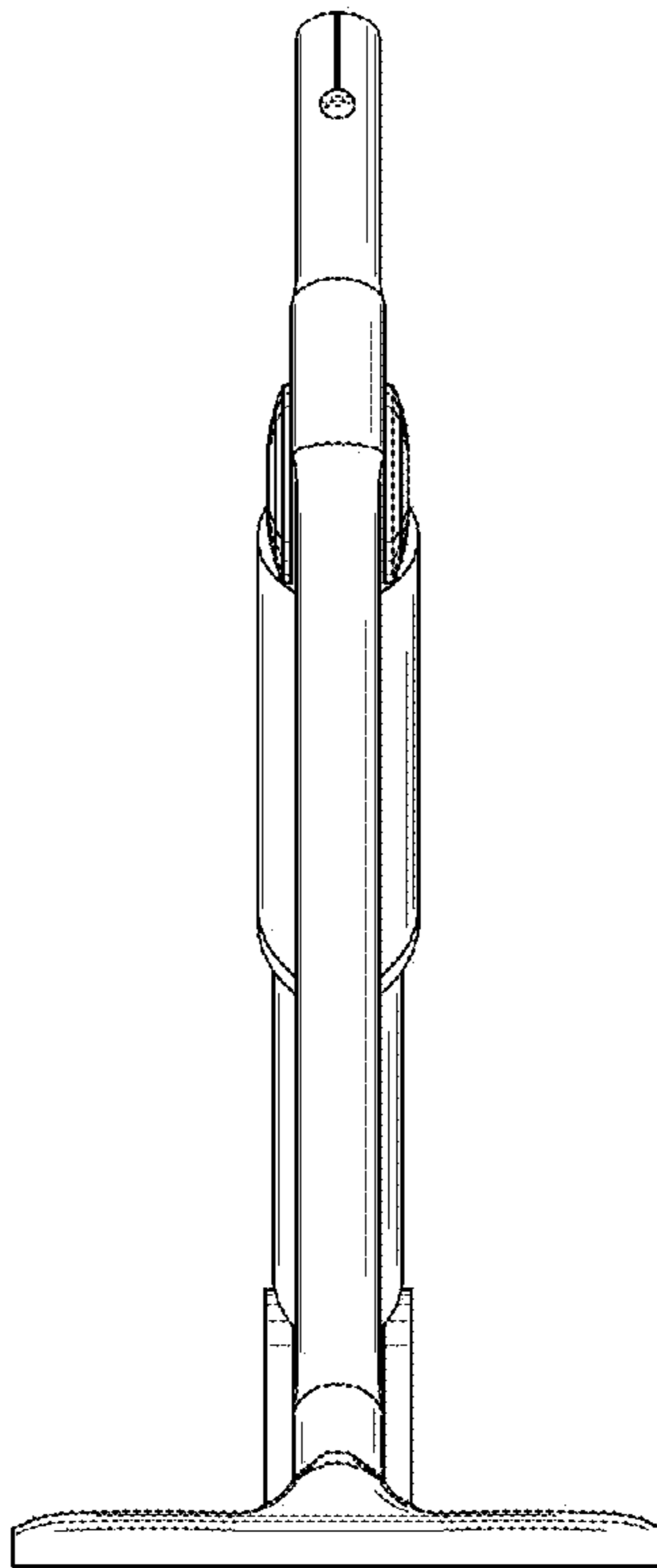


FIG. 3

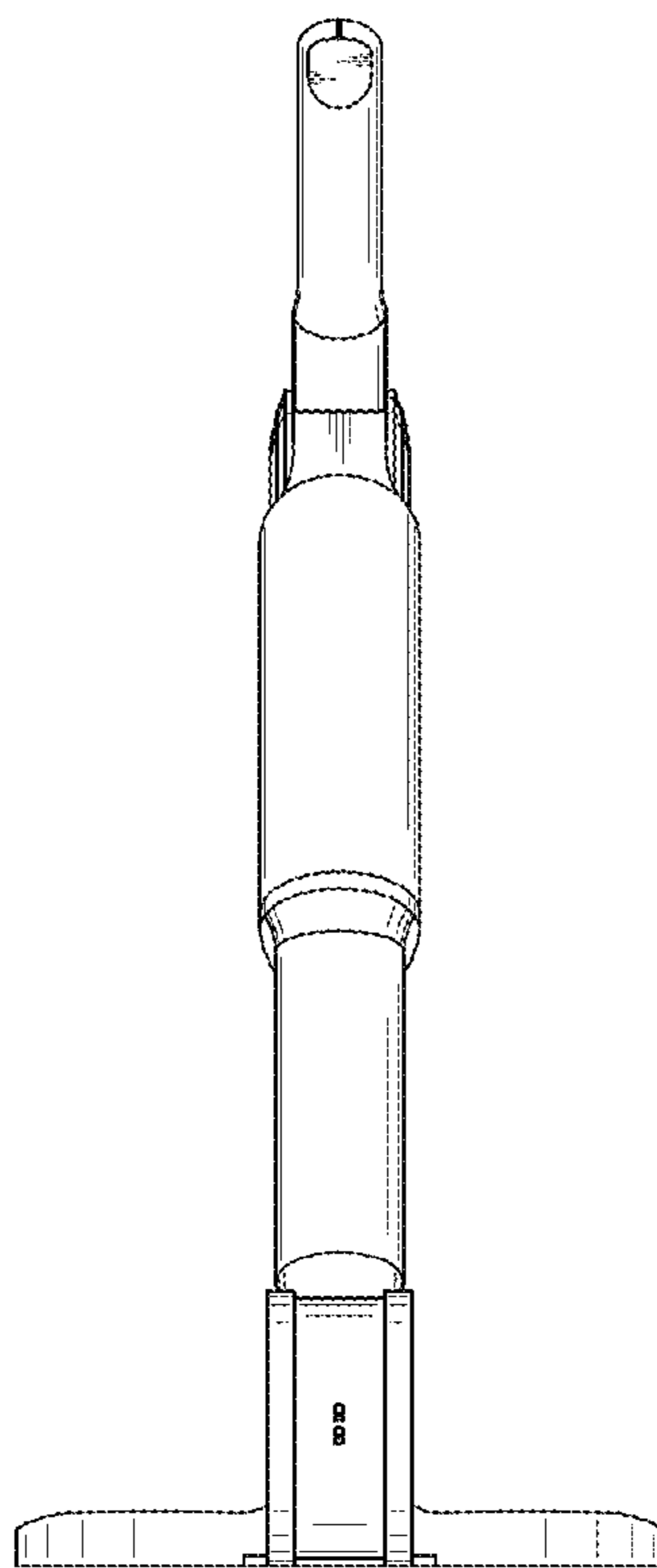


FIG. 4

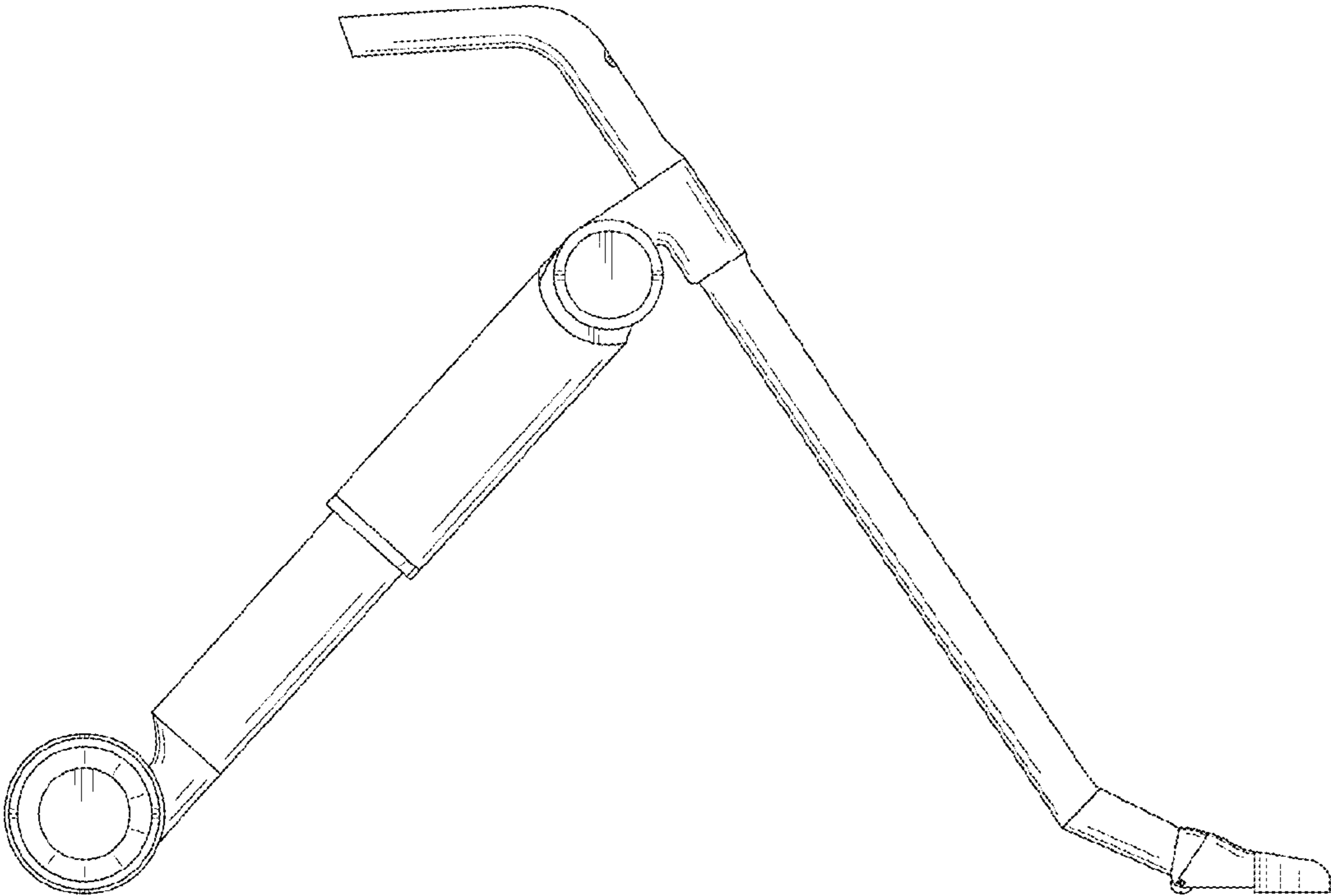


FIG. 5

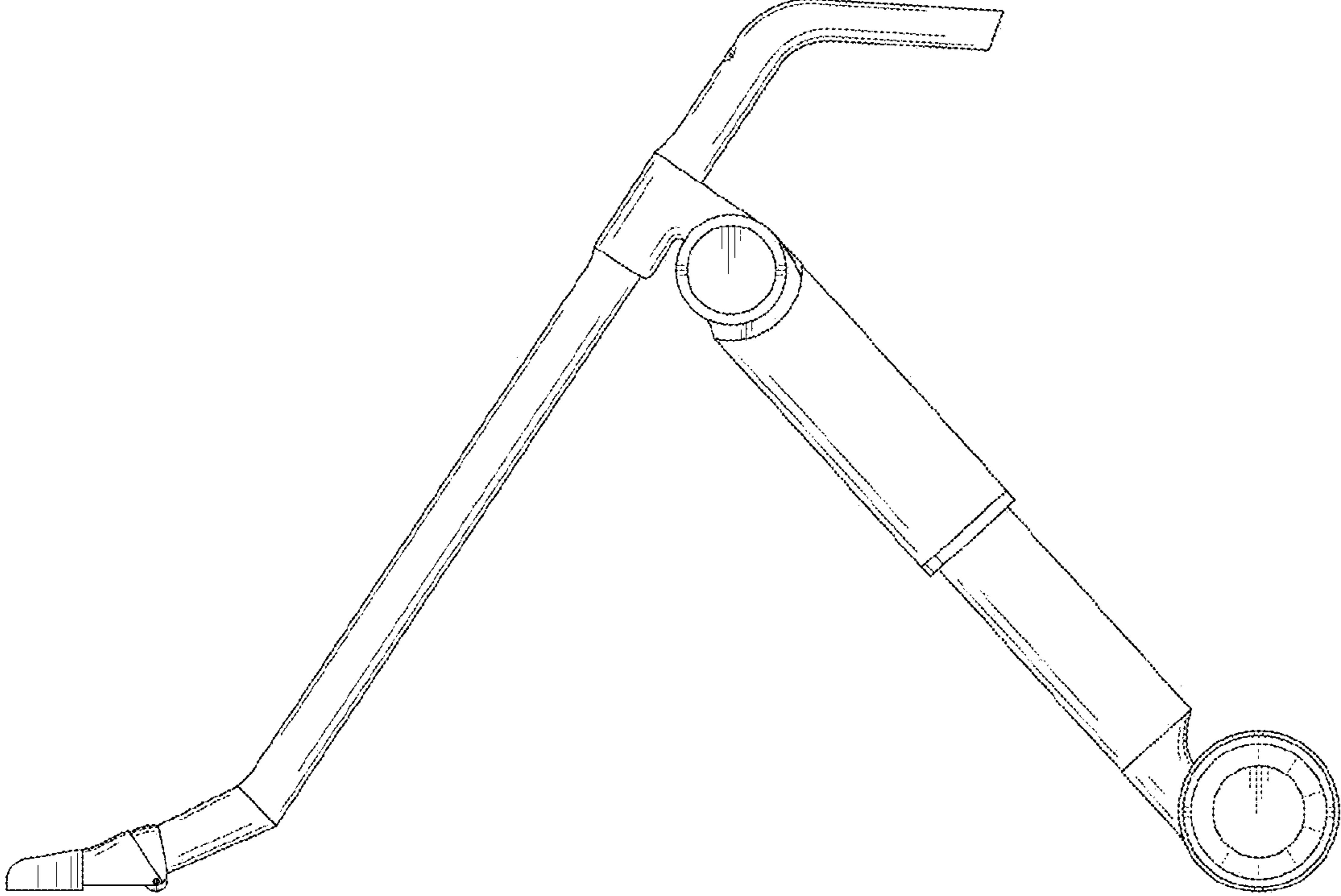


FIG. 6

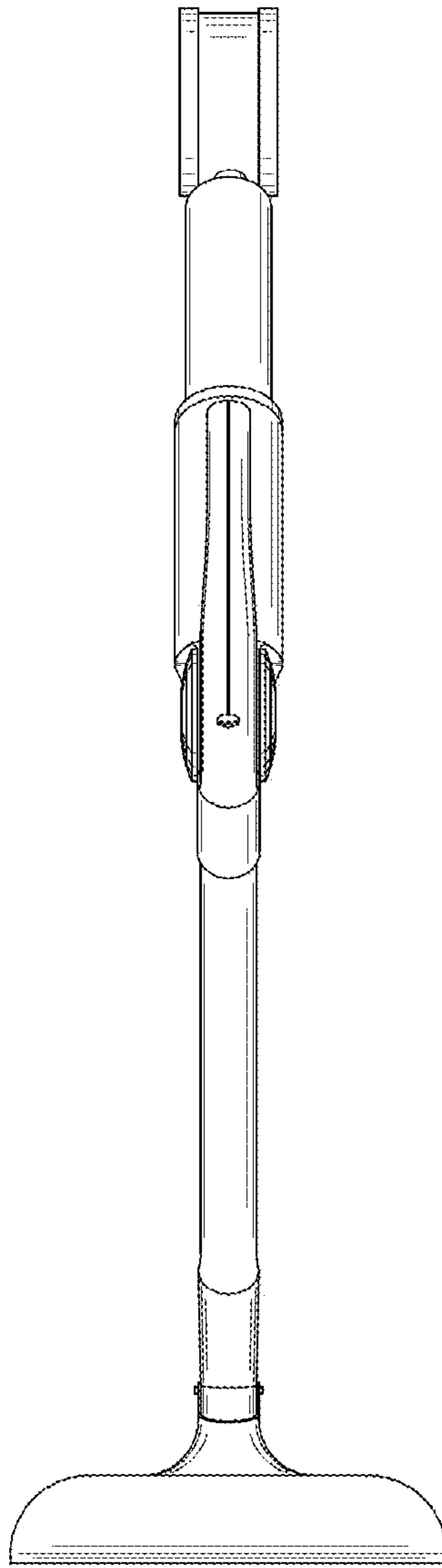


FIG. 7

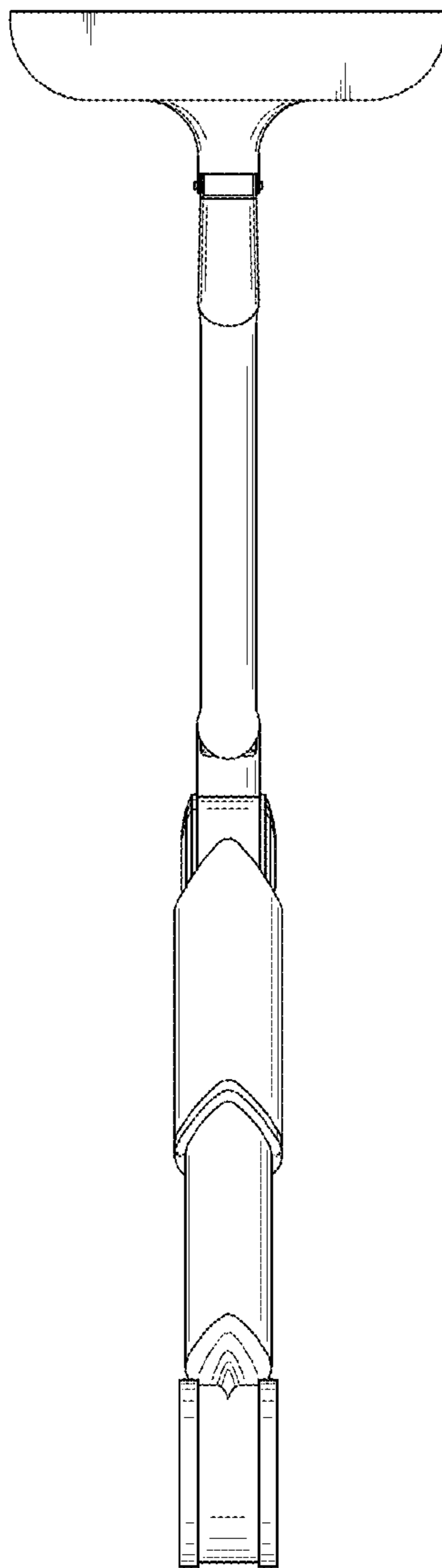


FIG. 8

