



US00D743648S

(12) **United States Design Patent**
Imsand et al.

(10) **Patent No.:** **US D743,648 S**

(45) **Date of Patent:** **** Nov. 17, 2015**

(54) **VACUUM**

(71) Applicant: **Black & Decker Inc.**, Newark, DE (US)

(72) Inventors: **Nicholas R. Imsand**, Baltimore, MD (US); **Gabriel E. Concari**, Eldersburg, MD (US)

(73) Assignee: **Black & Decker Inc.**, Newark, DE (US)

(**) Term: **14 Years**

(21) Appl. No.: **29/488,872**

(22) Filed: **Apr. 24, 2014**

(51) **LOC (10) Cl.** **15-05**

(52) **U.S. Cl.**
USPC **D32/21**

(58) **Field of Classification Search**
USPC D32/21, 23-24, 31
CPC A47L 5/362; A47L 5/365; A47L 5/28;
A47L 9/26; A47L 11/34; A47L 7/0038;
B65H 75/18

See application file for complete search history.

(56) **References Cited**

U.S. PATENT DOCUMENTS

D333,195 S * 2/1993 Oberdorfer-Bogel D32/23
D333,890 S * 3/1993 Oberdorfer-Bogel D32/23

D334,258 S * 3/1993 Oberdorfer-Bogel D32/23
D581,608 S * 11/2008 Dammkoehler et al. D32/21
D633,665 S * 3/2011 Dammkoehler D32/21
D655,874 S * 3/2012 Dammkoehler D32/24
D667,597 S * 9/2012 Dammkoehler D32/21
D669,646 S * 10/2012 Theising et al. D32/23
D715,505 S * 10/2014 Dammkoehler D32/21
D725,328 S * 3/2015 Aglassinger et al. D32/21
D725,329 S * 3/2015 Aglassinger et al. D32/21
2015/0074936 A1 * 3/2015 Plato et al. 15/324

* cited by examiner

Primary Examiner — Ruth McInroy

(74) *Attorney, Agent, or Firm* — Gabriel A. Haboubi

(57) **CLAIM**

The ornamental design for a vacuum, as shown and described.

DESCRIPTION

FIG. 1 is a right/front perspective view of a vacuum showing our new design.

FIG. 2 is a front view thereof.

FIG. 3 is a rear view thereof.

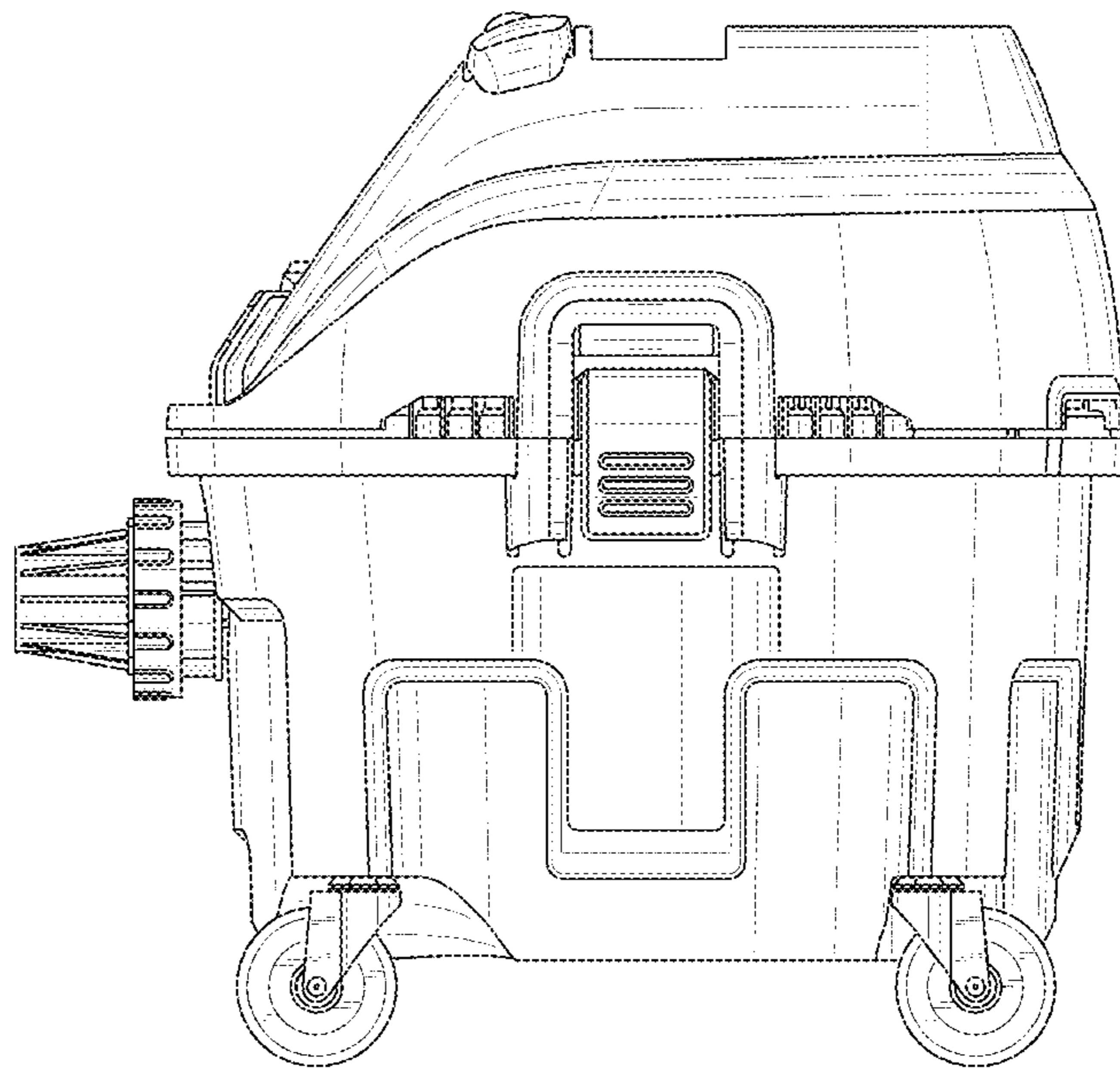
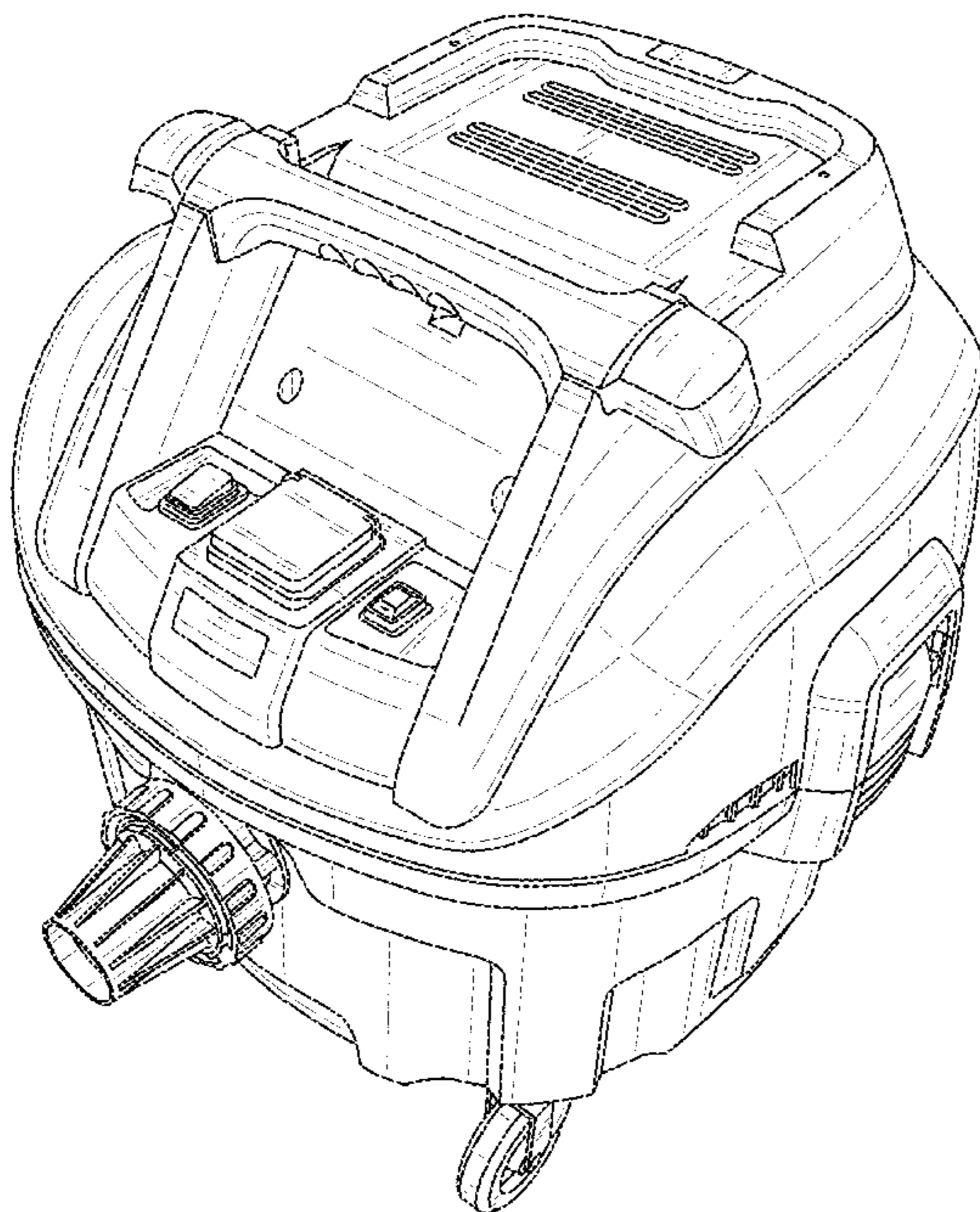
FIG. 4 is a left side view thereof.

FIG. 5 is a right side view thereof.

FIG. 6 is a top view thereof; and,

FIG. 7 is a bottom view thereof.

1 Claim, 7 Drawing Sheets



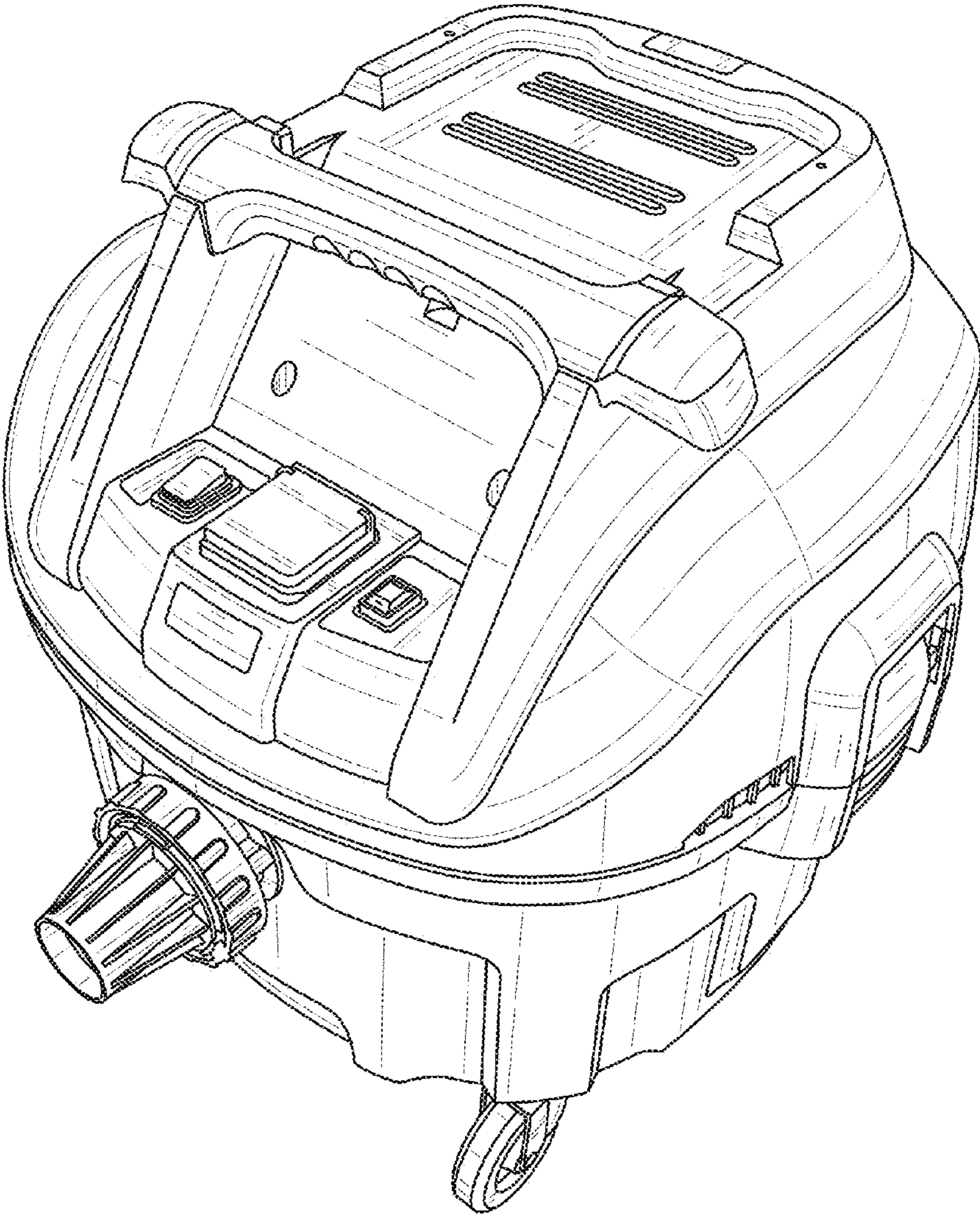


FIG. 1

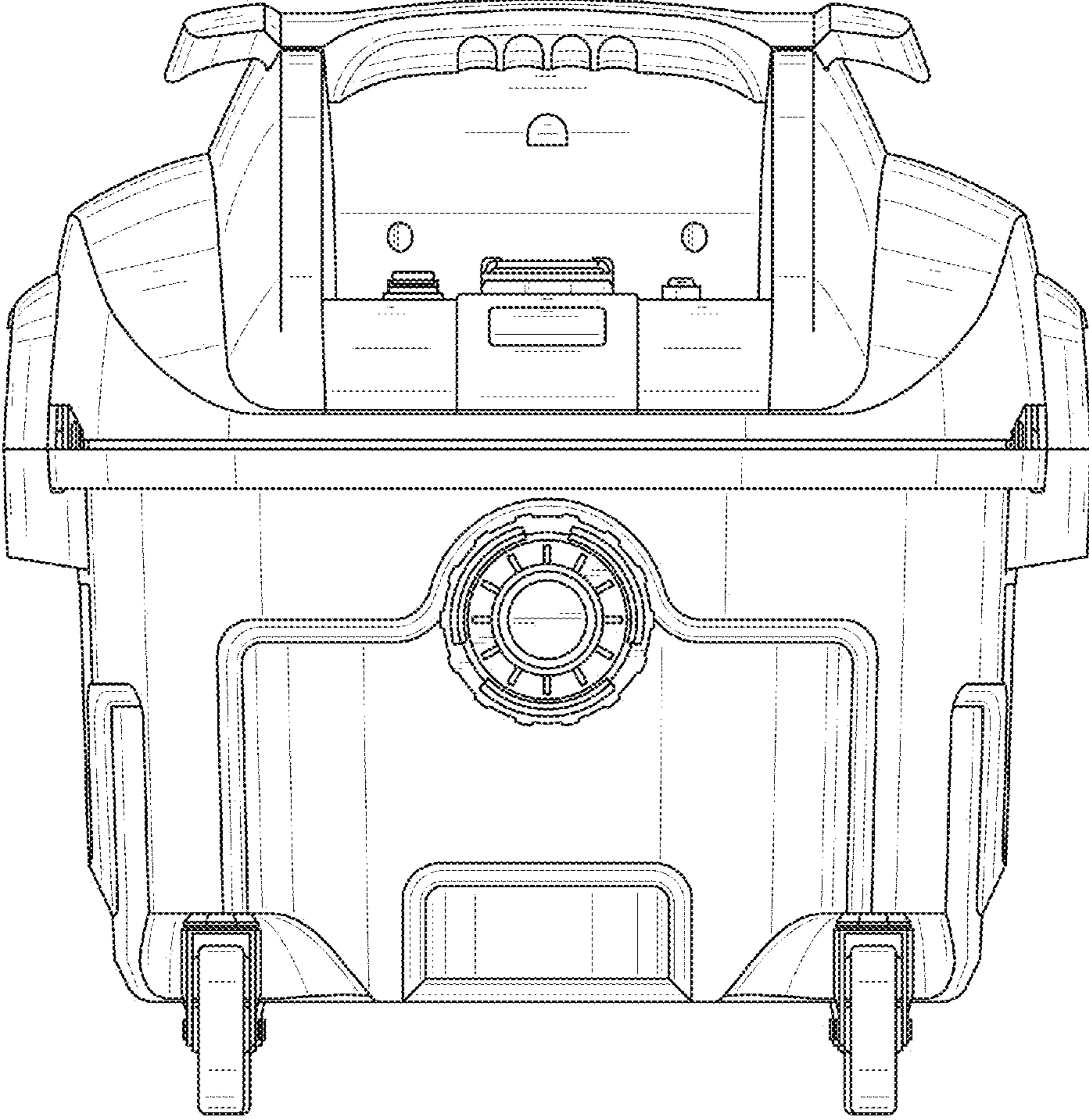


FIG. 2

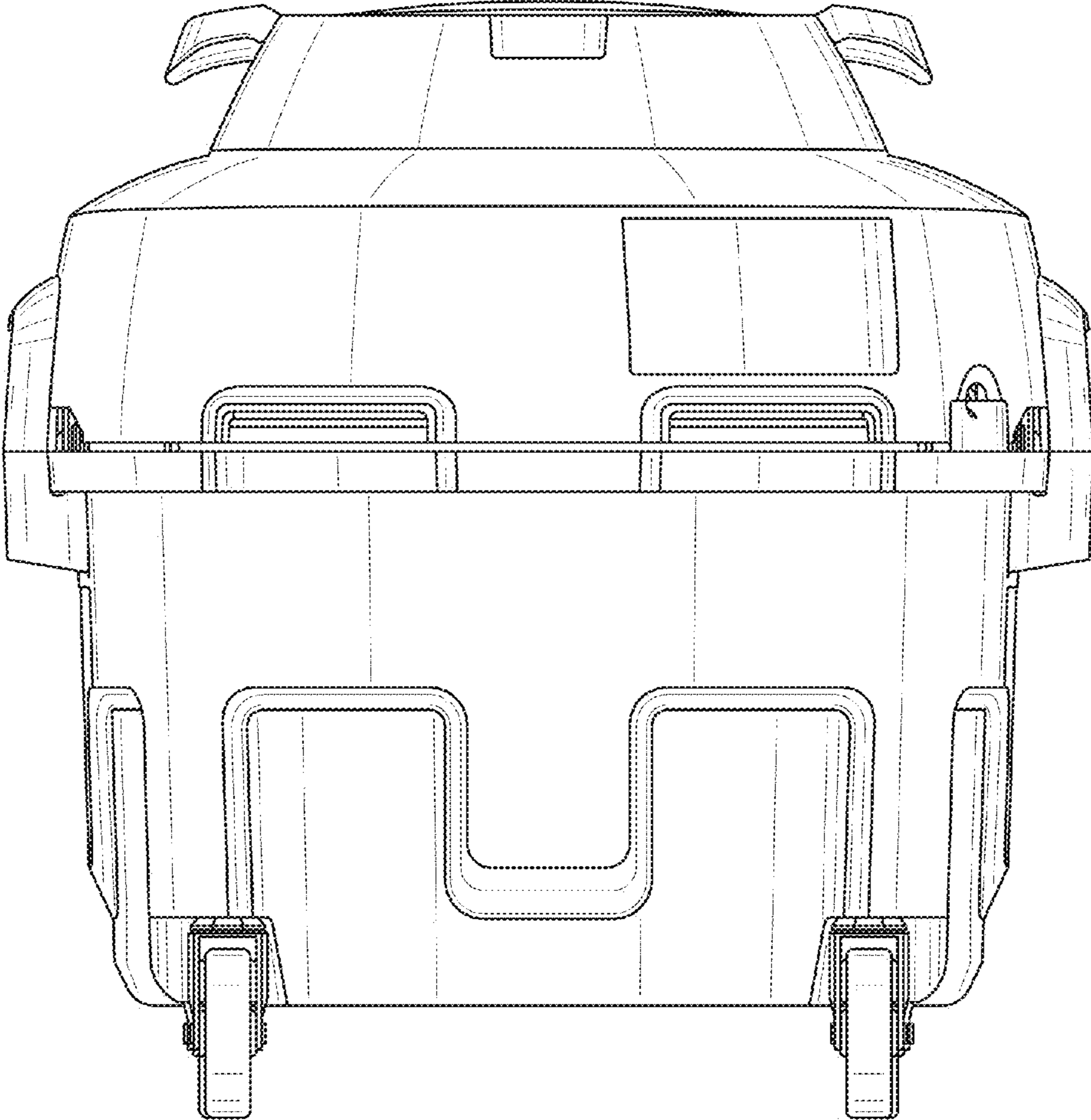


FIG. 3

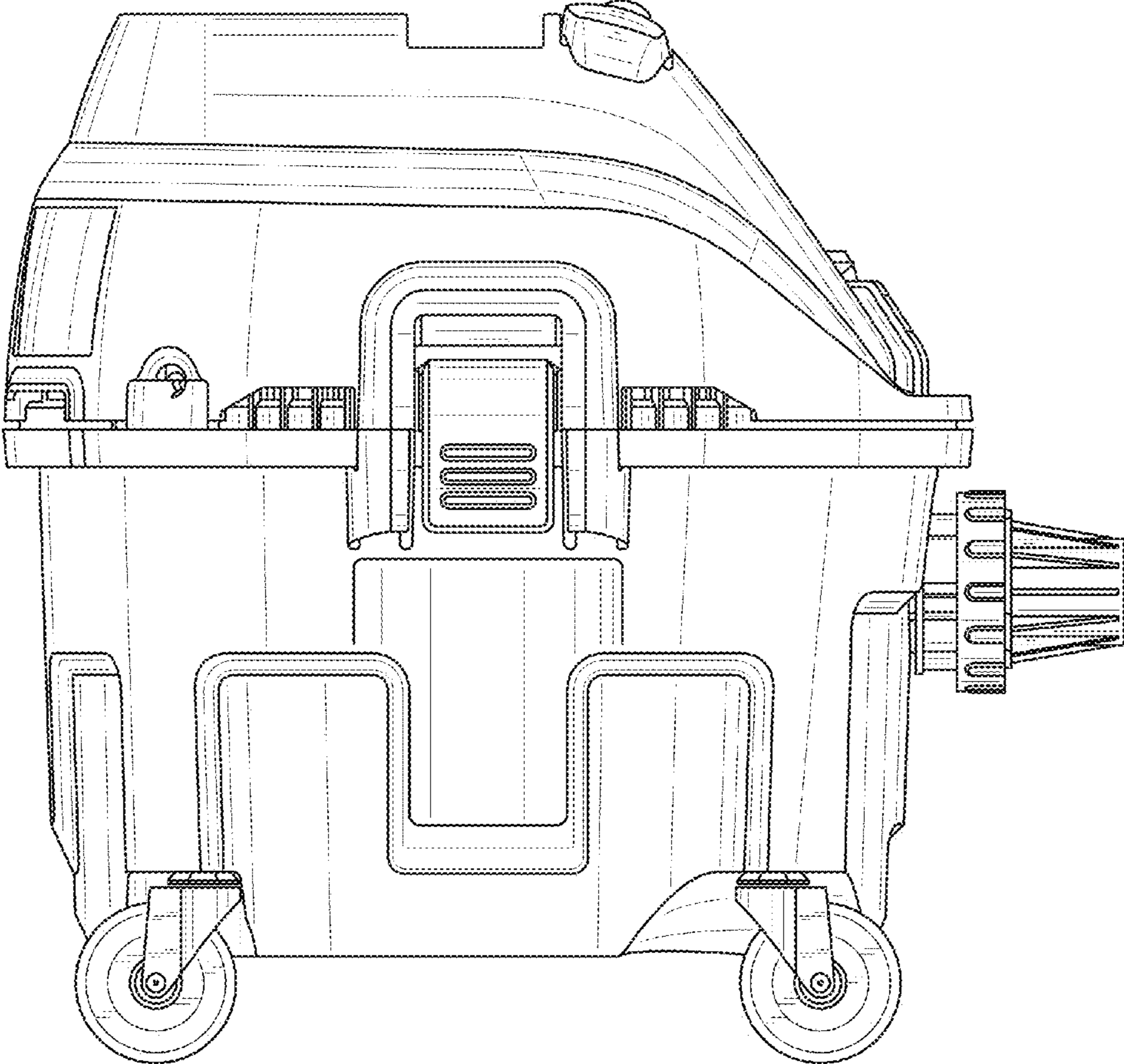


FIG. 4

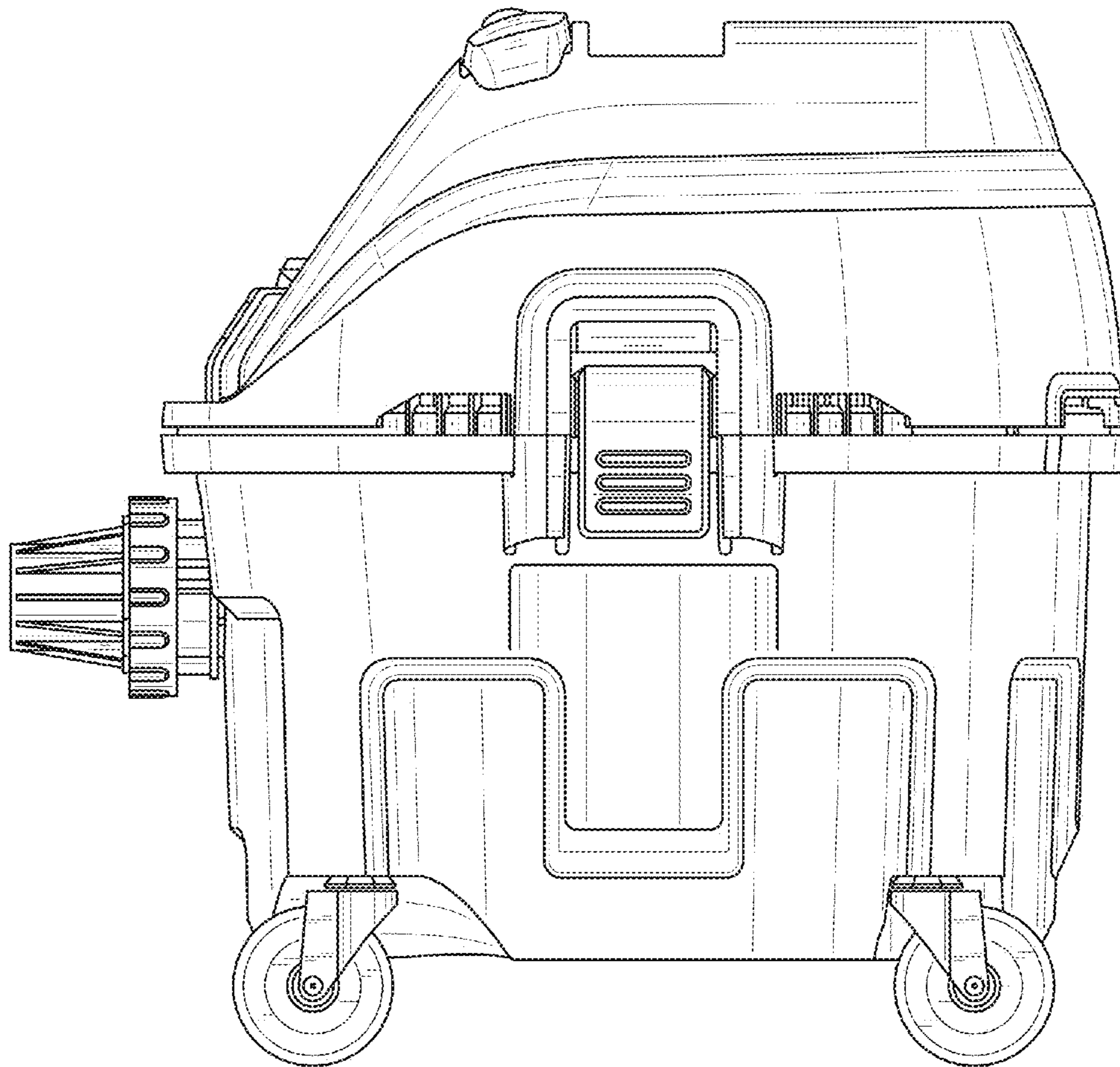


FIG. 5

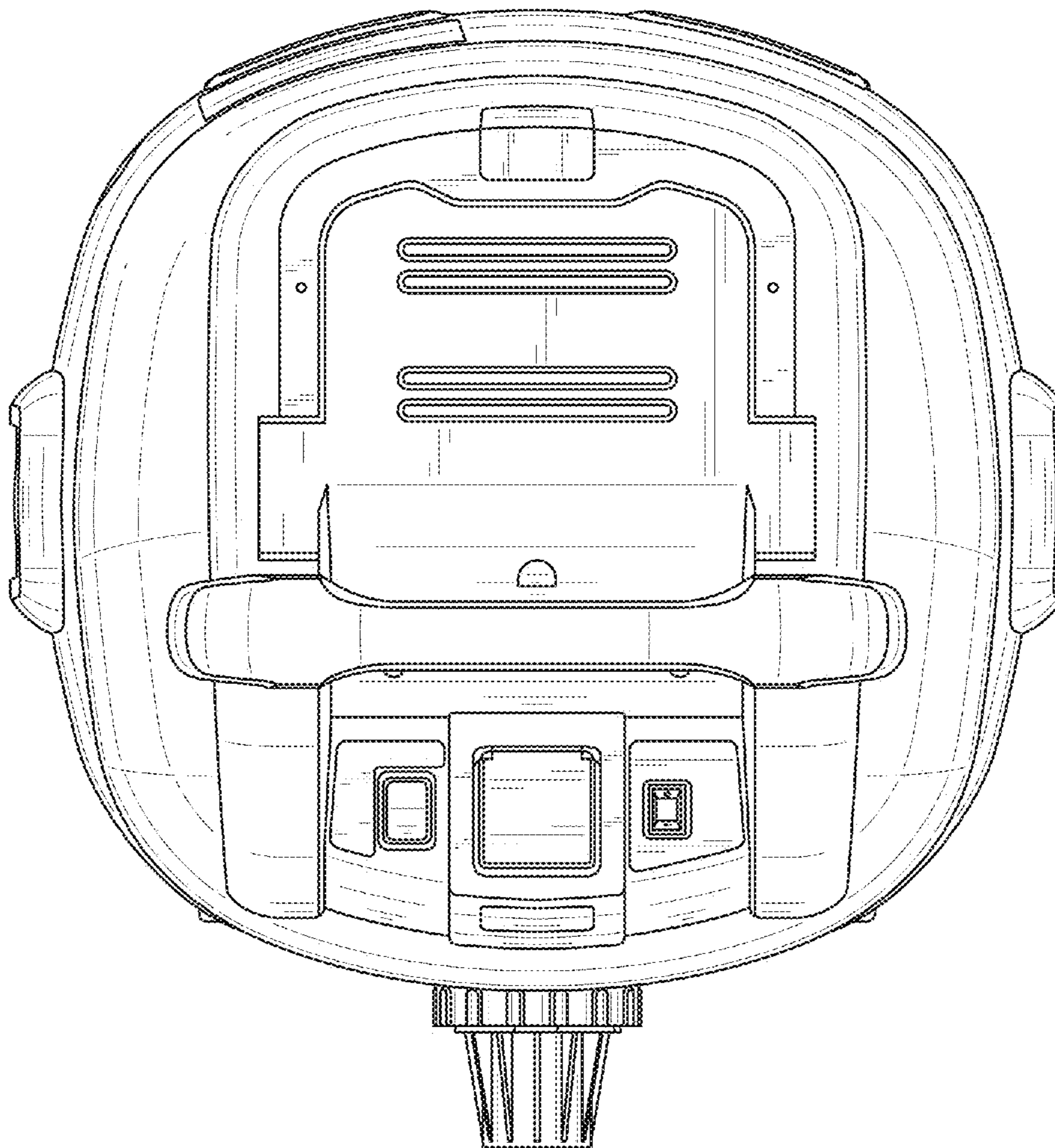


FIG. 6

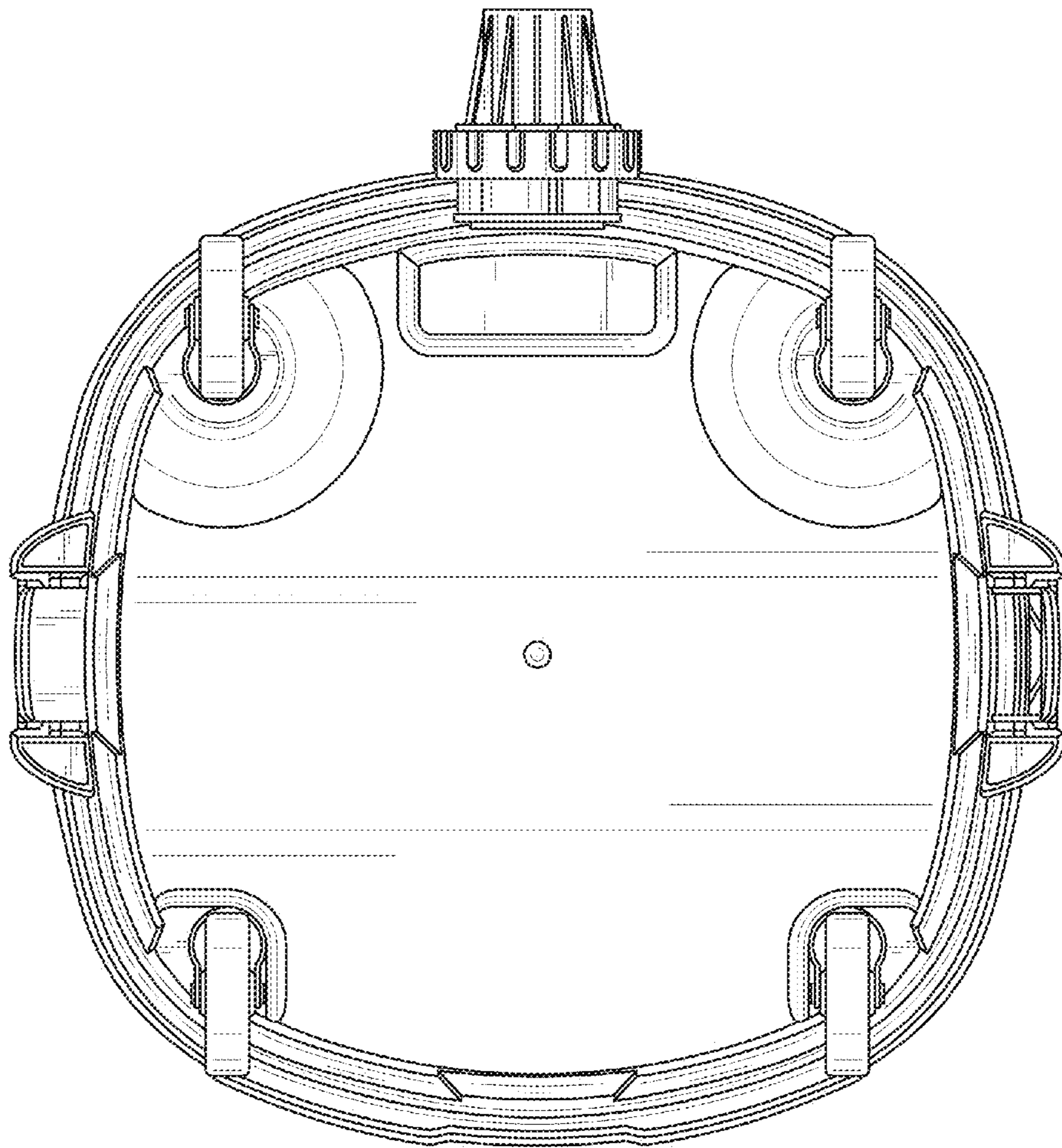


FIG. 7