



US00D743643S

(12) **United States Design Patent**
Casey

(10) **Patent No.:** **US D743,643 S**

(45) **Date of Patent:** **** Nov. 17, 2015**

(54) **PRESSURE WASHER WITH RETRACTABLE HANDLE**

Primary Examiner — Sandra Morris

(74) *Attorney, Agent, or Firm* — Bhole IP Law; Anil Bhole

(71) Applicant: **ACTIVE PRODUCTS INC.**, North York (CA)

(57) **CLAIM**

The ornamental design for the pressure washer with retractable handle, as shown and described.

(72) Inventor: **James Casey**, North York (CA)

(73) Assignee: **ACTIVE PRODUCTS INC.**, Toronto (CA)

DESCRIPTION

(**) Term: **14 Years**

FIG. 1 is a front right perspective view of a pressure washer with retractable handle in a retracted position;

(21) Appl. No.: **29/483,959**

FIG. 2 is a right side view of the pressure washer with retractable handle in a retracted position;

(22) Filed: **Mar. 5, 2014**

FIG. 3 is a front view of the pressure washer with retractable handle in a retracted position;

(51) **LOC (10) Cl.** **15-05**

FIG. 4 is a left side view of the pressure washer with retractable handle in a retracted position;

(52) **U.S. Cl.**
USPC **D32/15**

FIG. 5 is a rear view of the pressure washer with retractable handle in a retracted position;

(58) **Field of Classification Search**
USPC D32/1, 15-18; 239/146-149, 155-158;
15/320-323

FIG. 6 is a top view of the pressure washer with retractable handle in a retracted position;

CPC B05B 9/00; B08B 3/02
See application file for complete search history.

FIG. 7 is a bottom view of the pressure washer with retractable handle in a retracted position;

(56) **References Cited**

U.S. PATENT DOCUMENTS

FIG. 8 is a front right perspective view of the pressure washer with retractable handle in an extended position;

6,892,957 B2 *	5/2005	Bennett et al.	239/146
D551,812 S *	9/2007	Renner	D32/15
D564,146 S *	3/2008	Li	D32/15
D567,458 S *	4/2008	Jiang et al.	D32/15
D570,060 S *	5/2008	Renner et al.	D32/15
D574,561 S *	8/2008	Ni	D32/16
D576,703 S *	9/2008	Nathan et al.	D32/15
7,967,222 B2 *	6/2011	Alexander	239/146
D646,853 S *	10/2011	Alexander et al.	D32/15
D647,257 S *	10/2011	Alexander et al.	D32/15
D648,081 S *	11/2011	Alexander et al.	D32/15
D648,493 S *	11/2011	Alexander et al.	D32/15
D661,438 S *	6/2012	Alexander et al.	D32/15
D694,968 S *	12/2013	Dammkoehler	D32/15
D696,824 S *	12/2013	Dammkoehler	D32/15

FIG. 9 is a right side view of the pressure washer with retractable handle in an extended position;

FIG. 10 is a front view of the pressure washer with retractable handle in an extended position;

FIG. 11 is a left side view of the pressure washer with retractable handle in an extended position;

FIG. 12 is a rear view of the pressure washer with retractable handle in an extended position; and

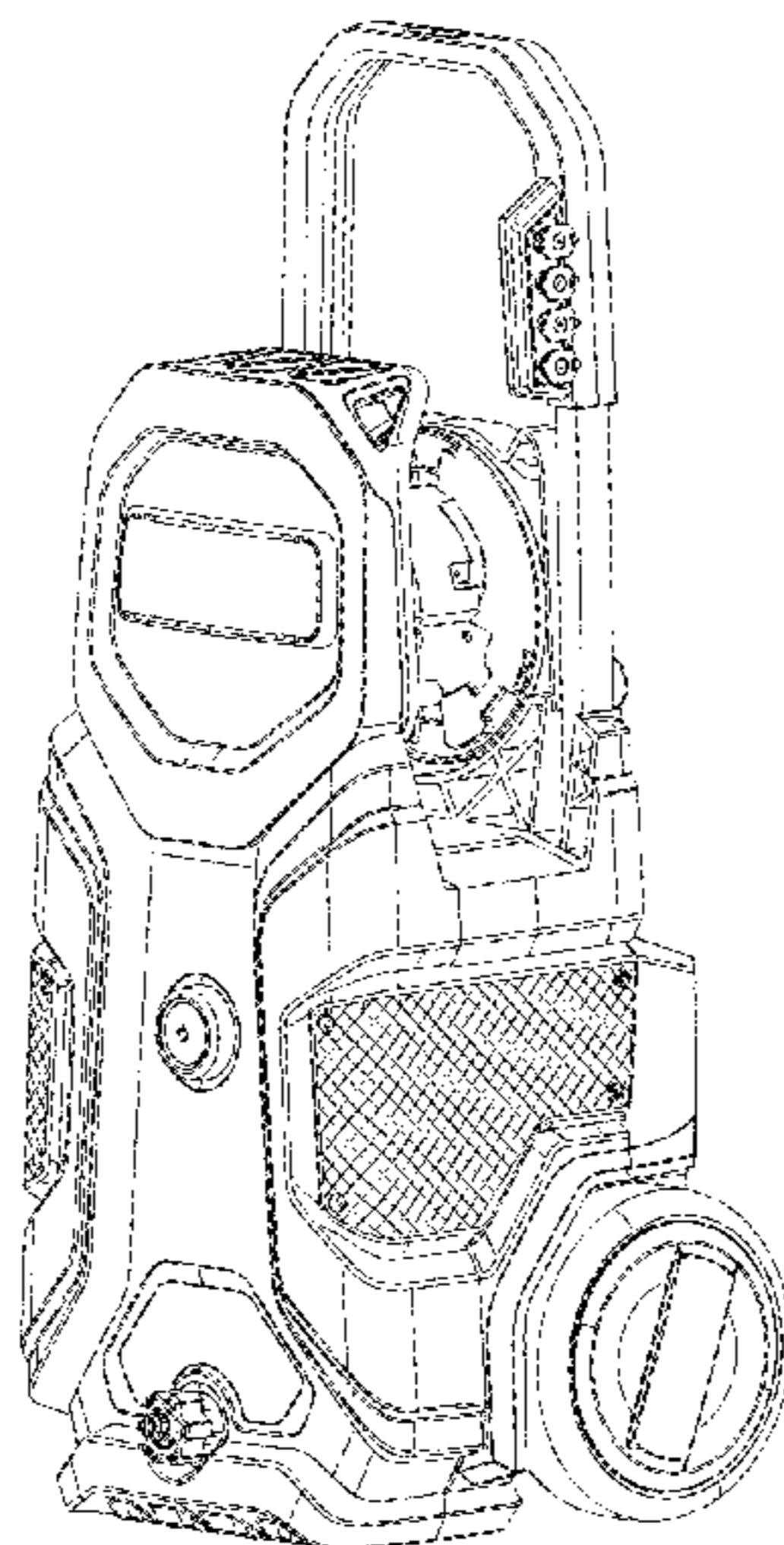
FIG. 13 is a top view of the pressure washer with retractable handle in an extended position; and,

FIG. 14 is a bottom view of the pressure washer with retractable handle in an extended position.

The broken lines in FIGS. 6 and 13 are for illustrative purposes only, and form no part of the claimed design.

* cited by examiner

1 Claim, 6 Drawing Sheets



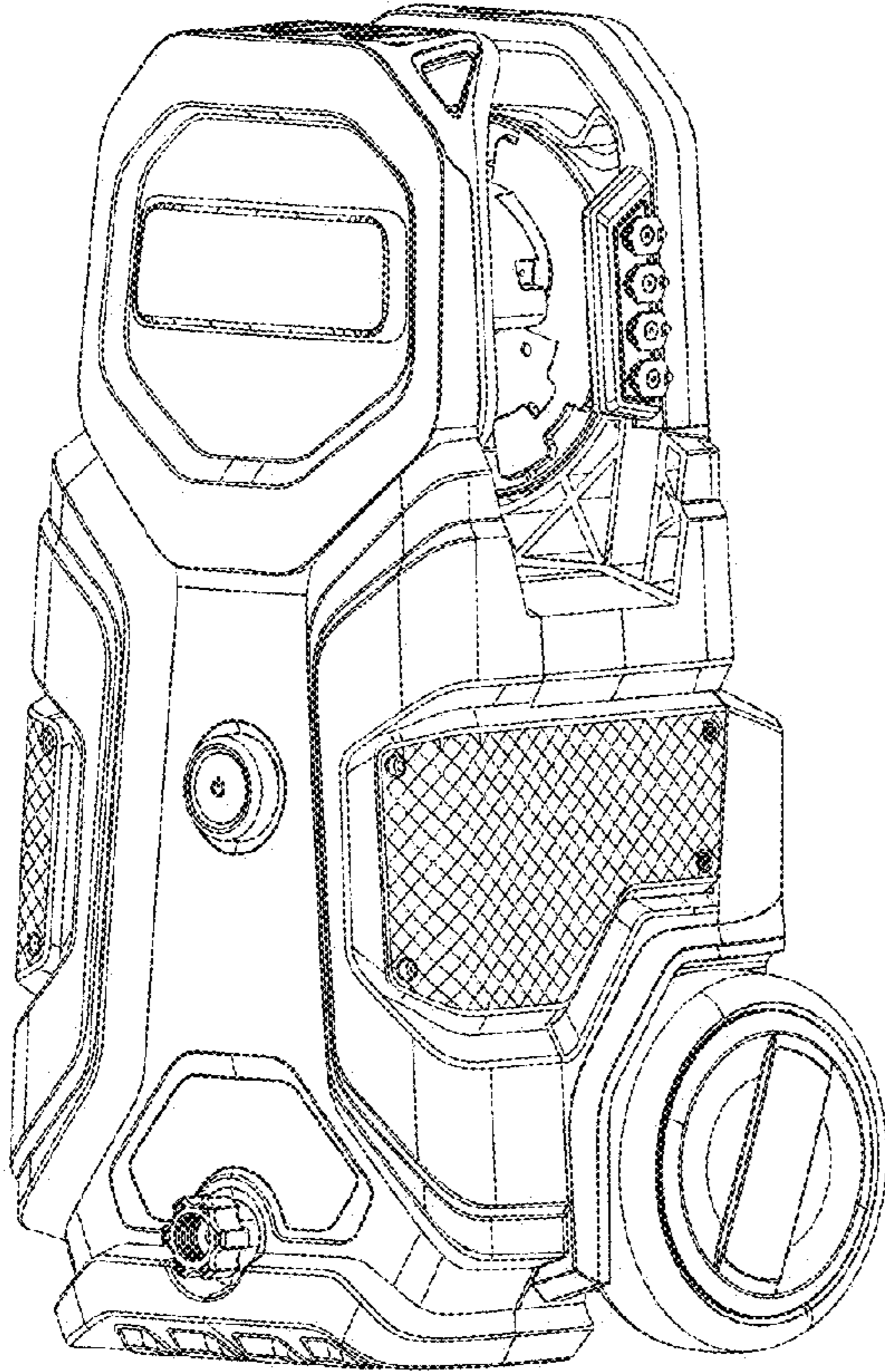


Figure 1

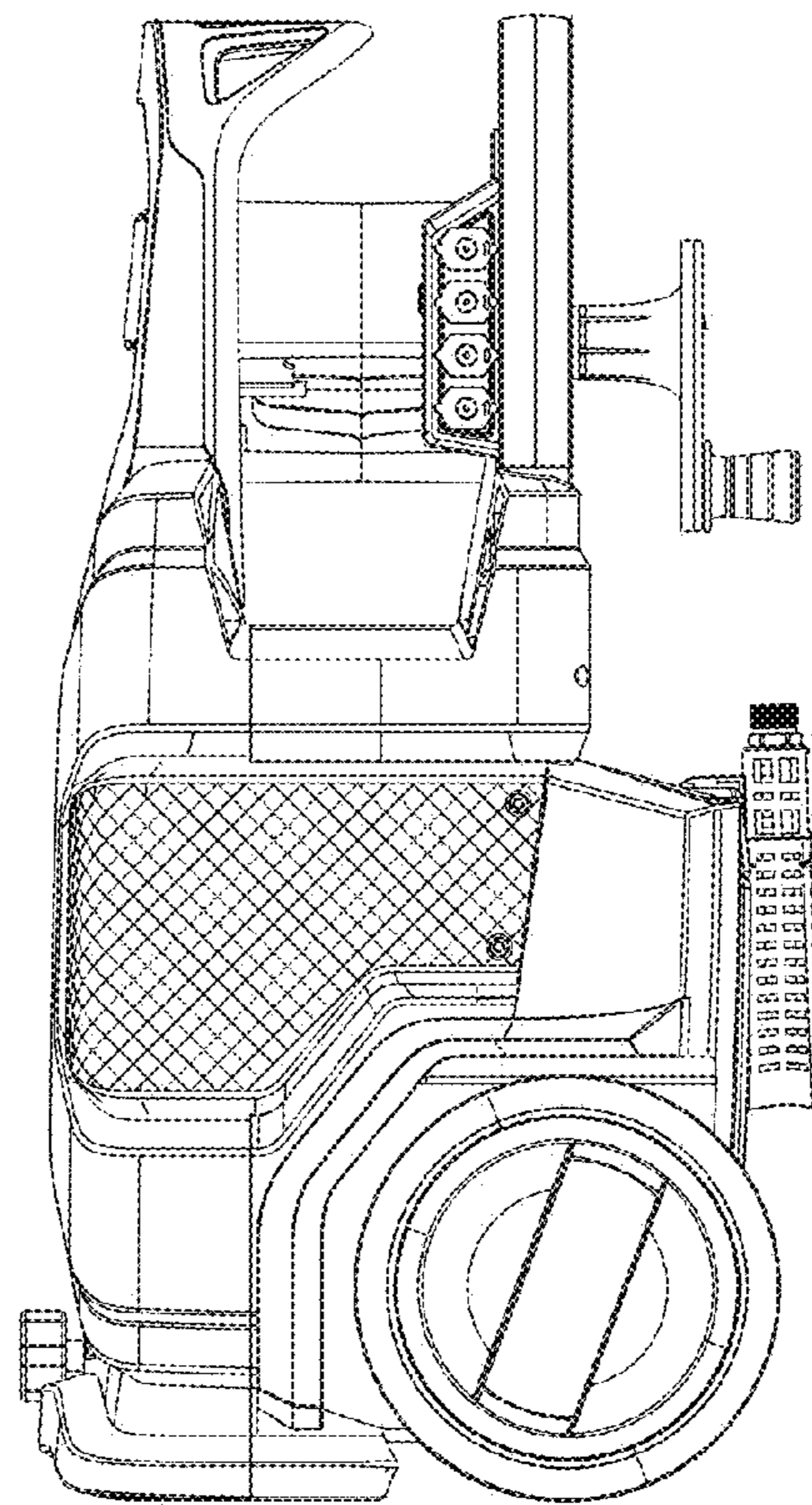


Figure 2

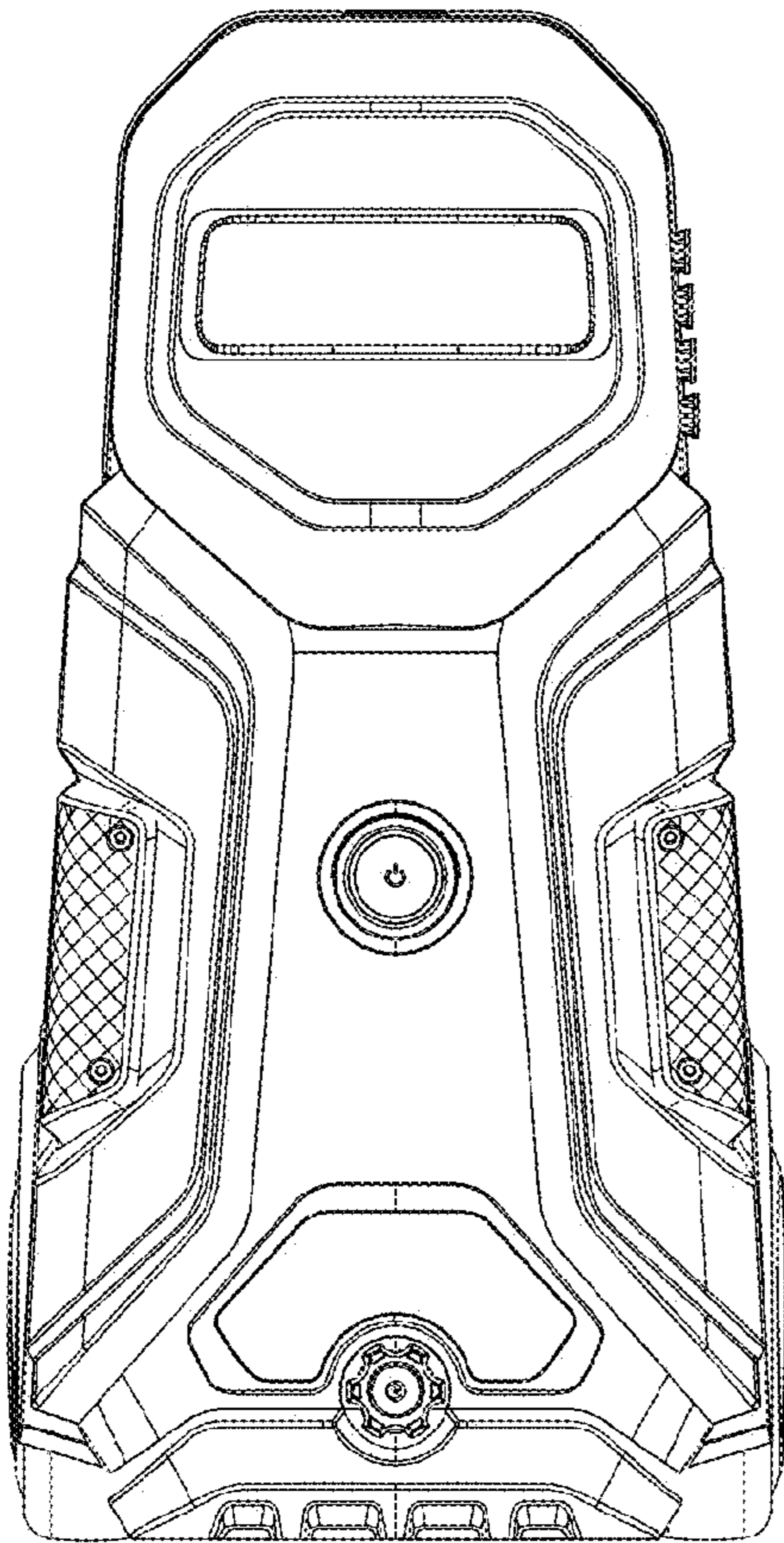


Figure 3

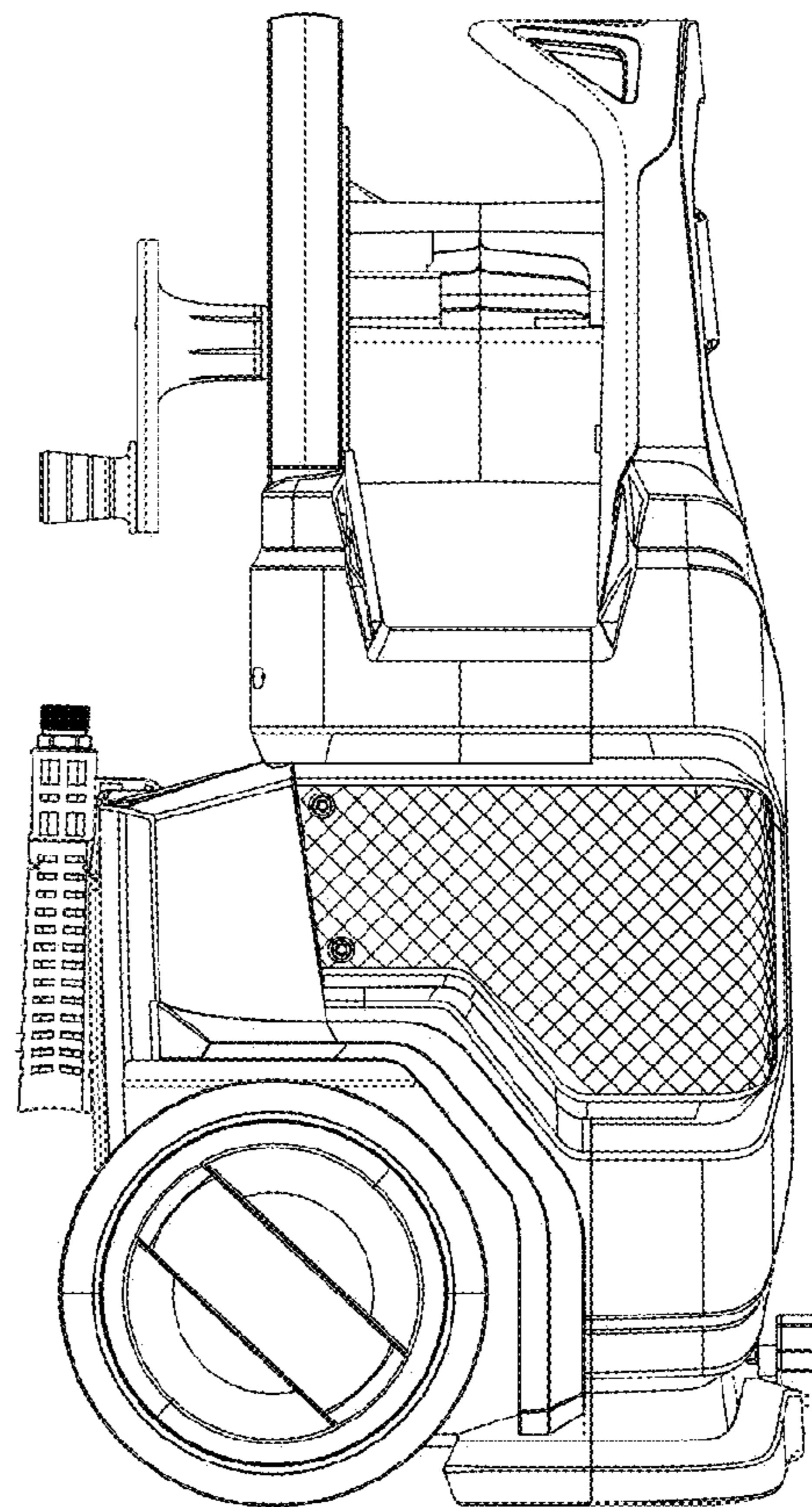


Figure 4

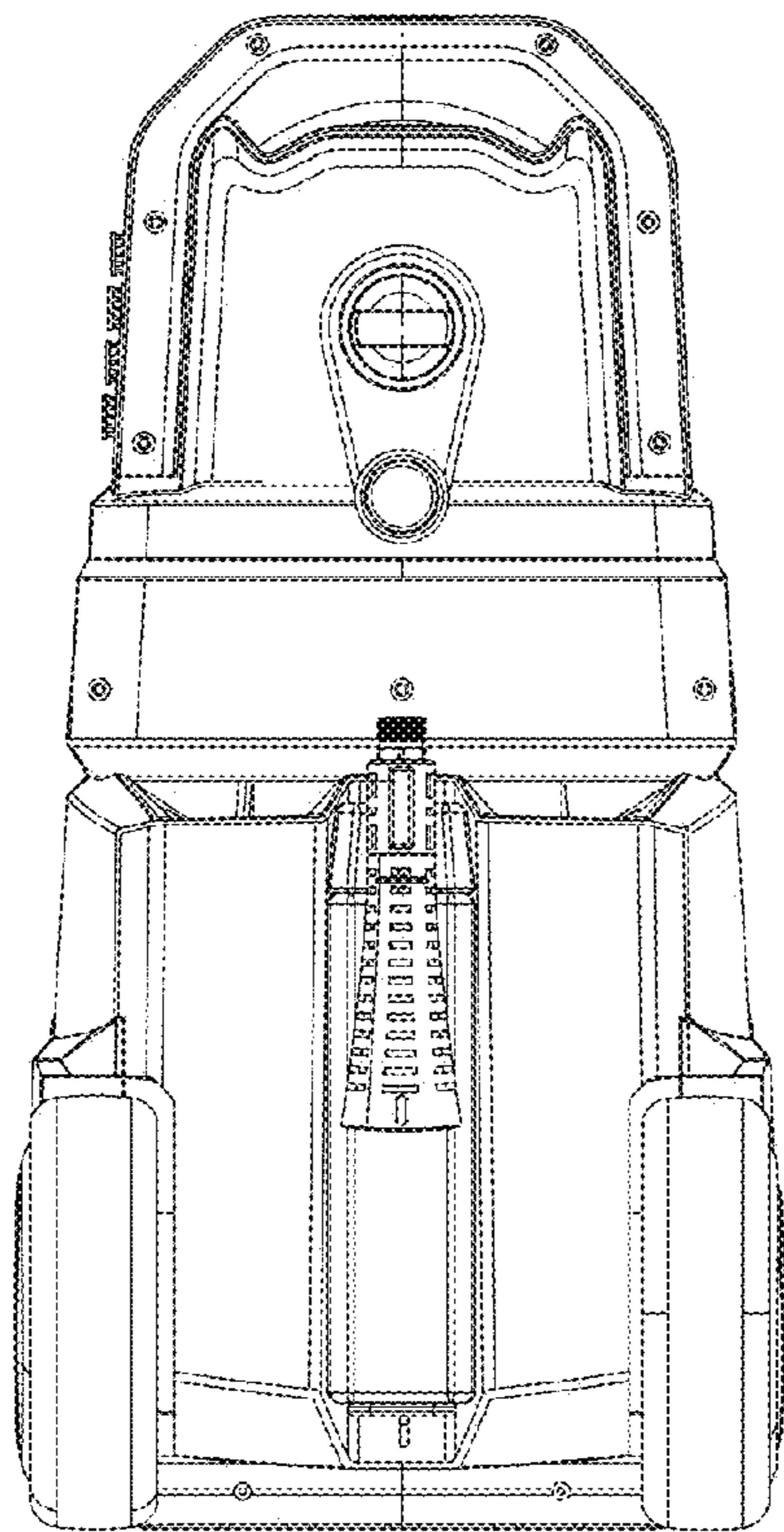


Figure 5

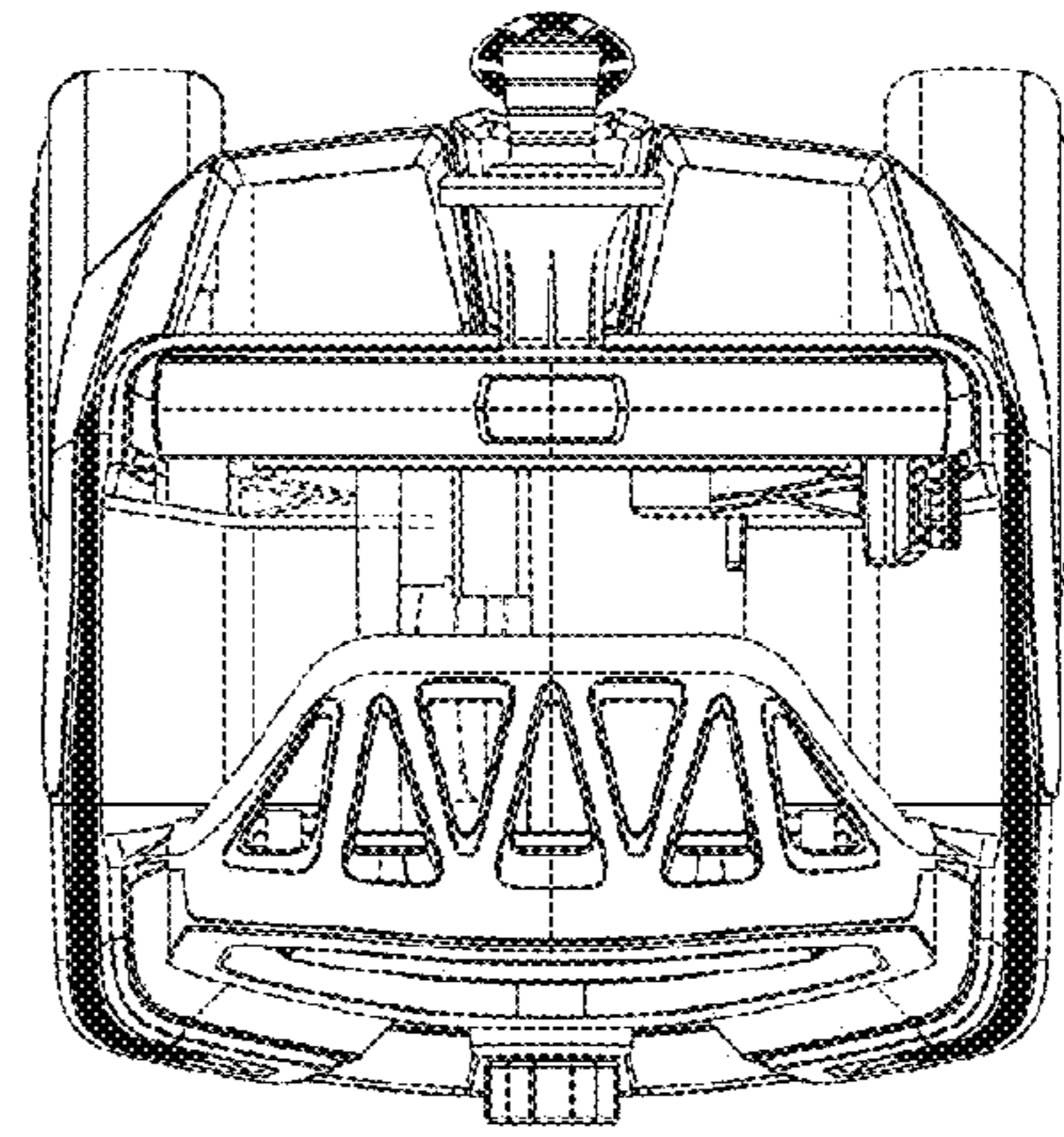


Figure 6

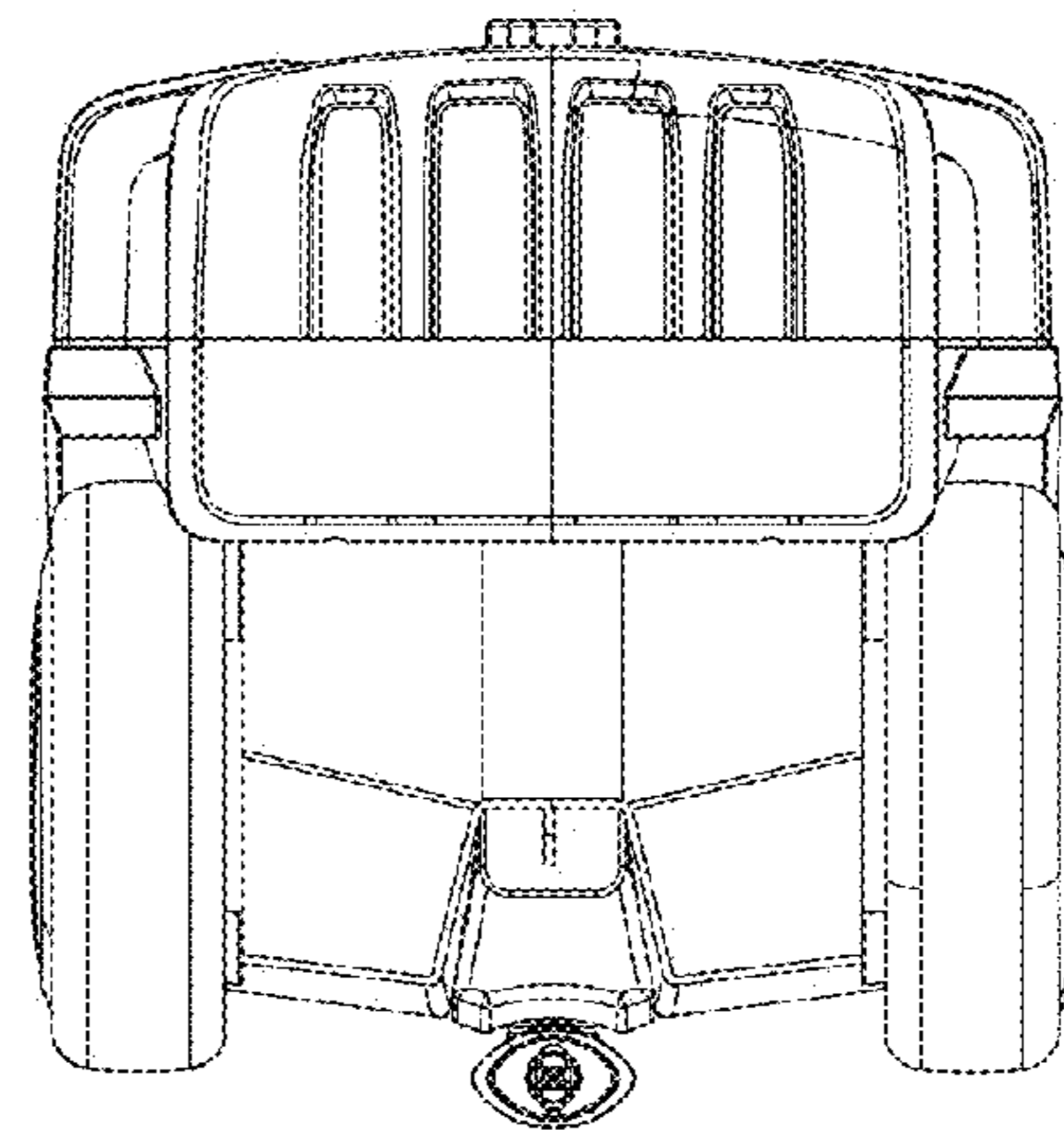


Figure 7

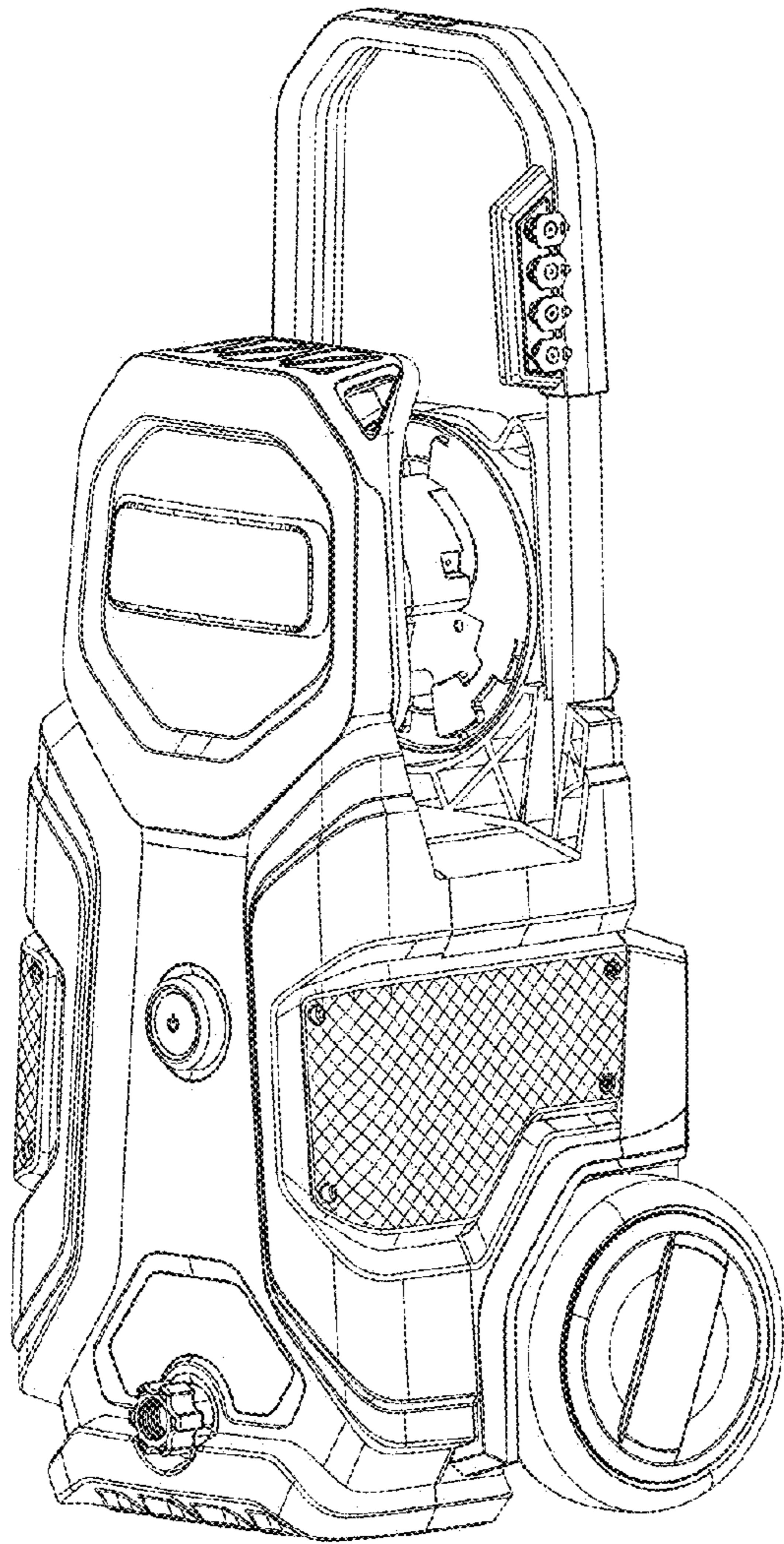


Figure 8

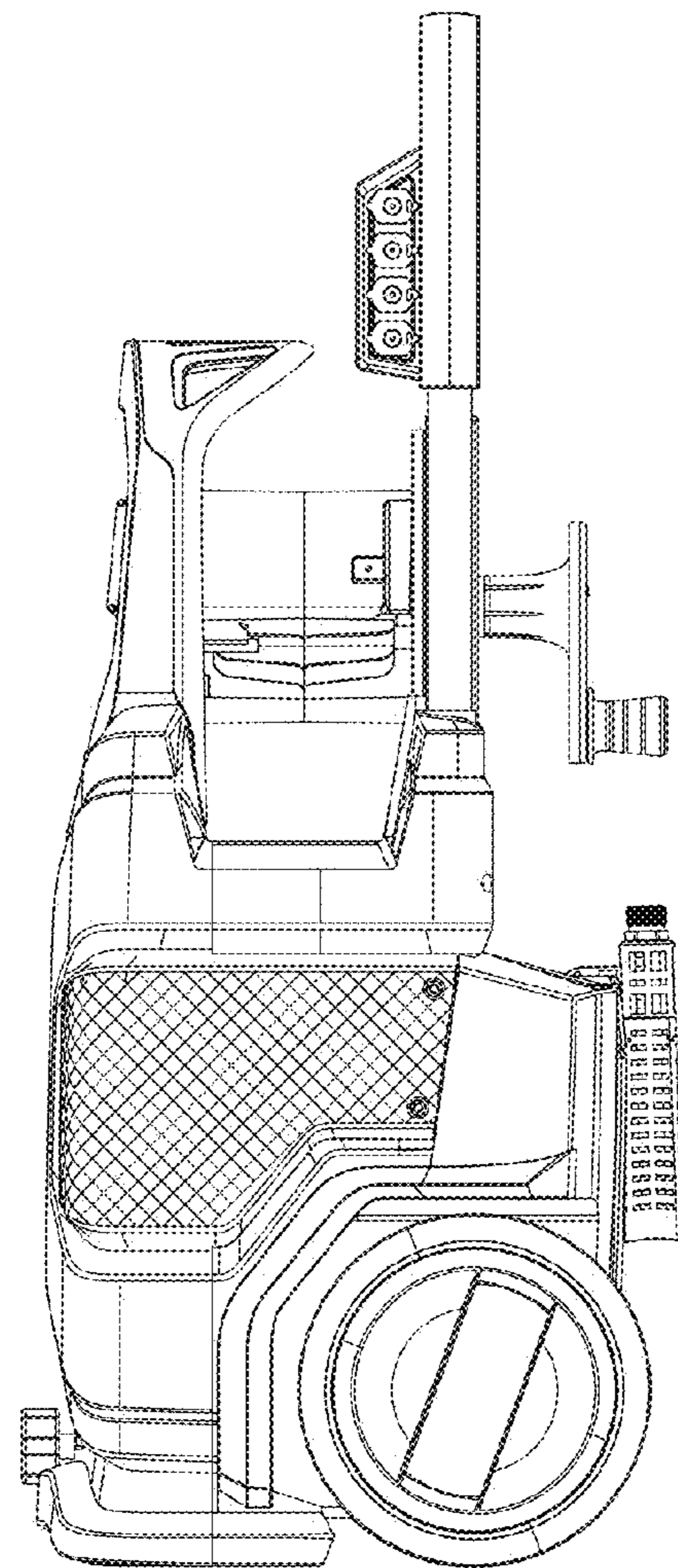


Figure 9

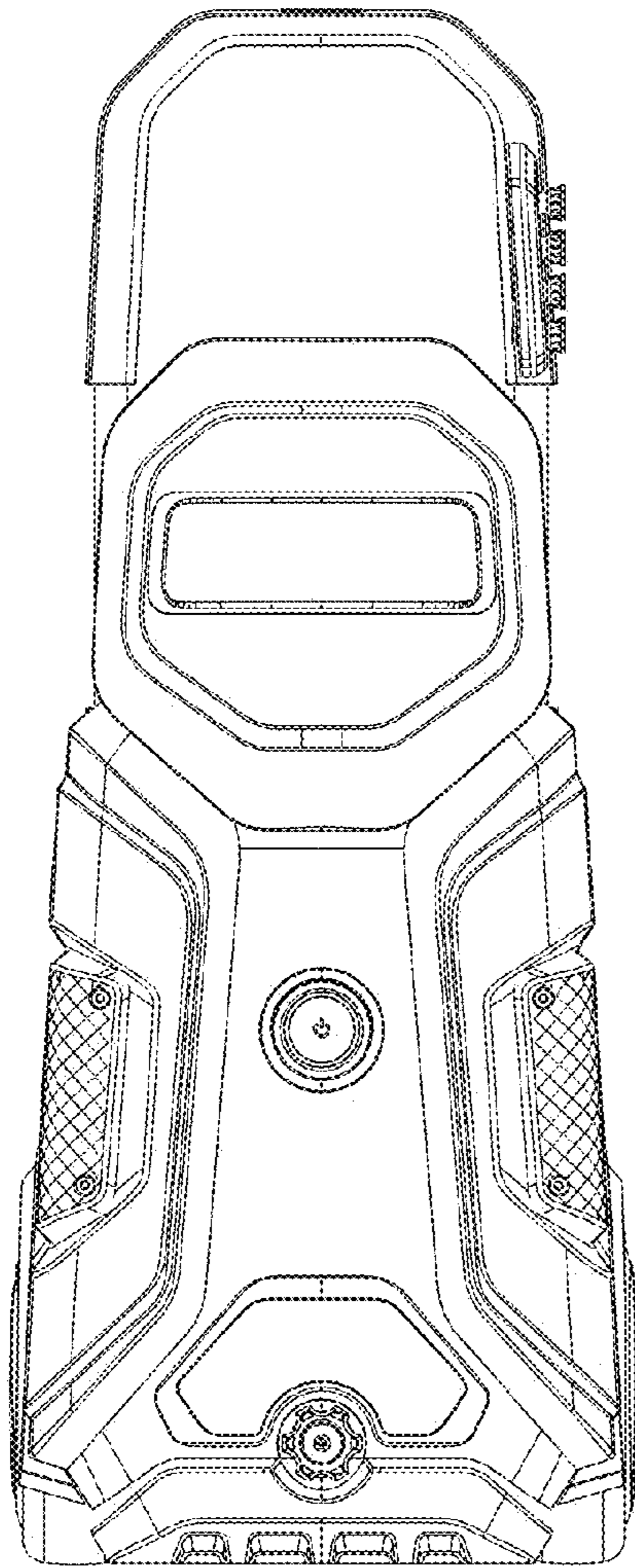


Figure 10

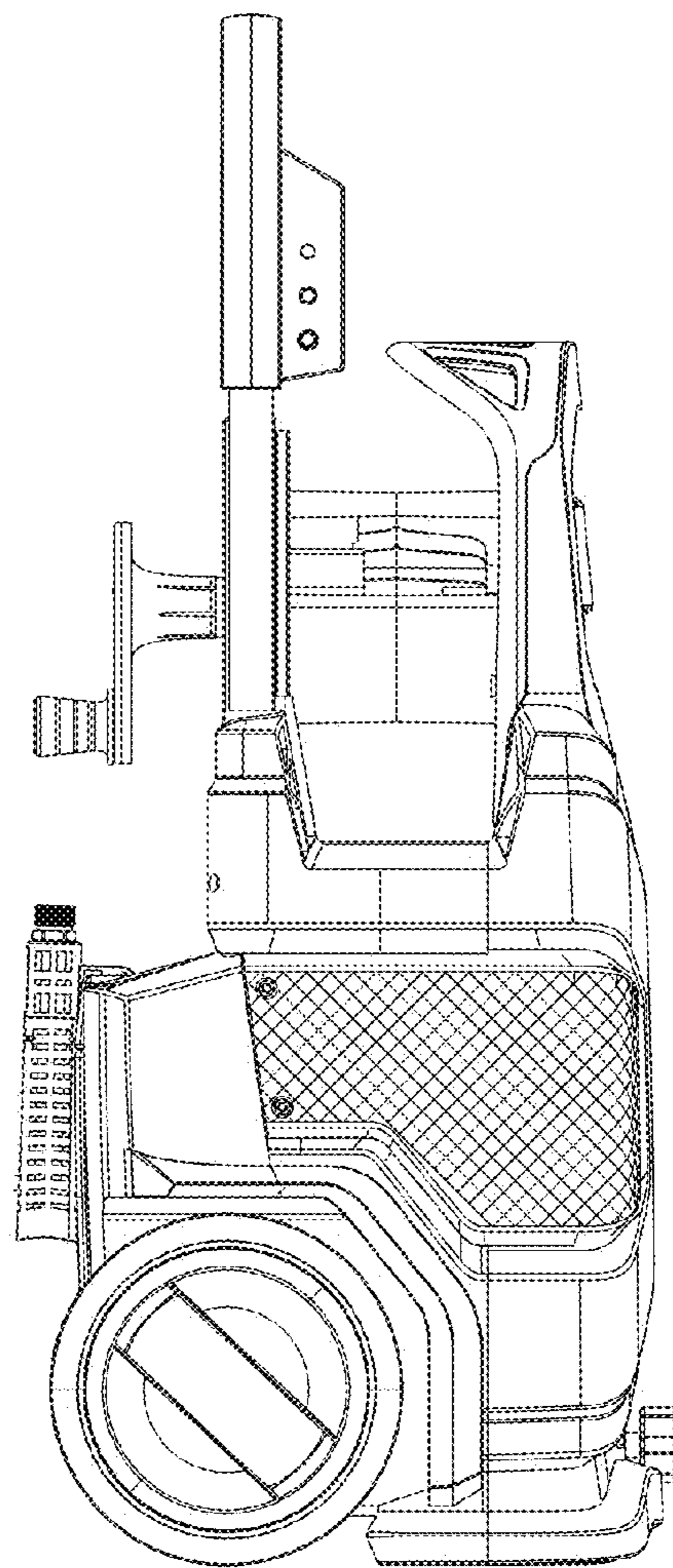


Figure 11

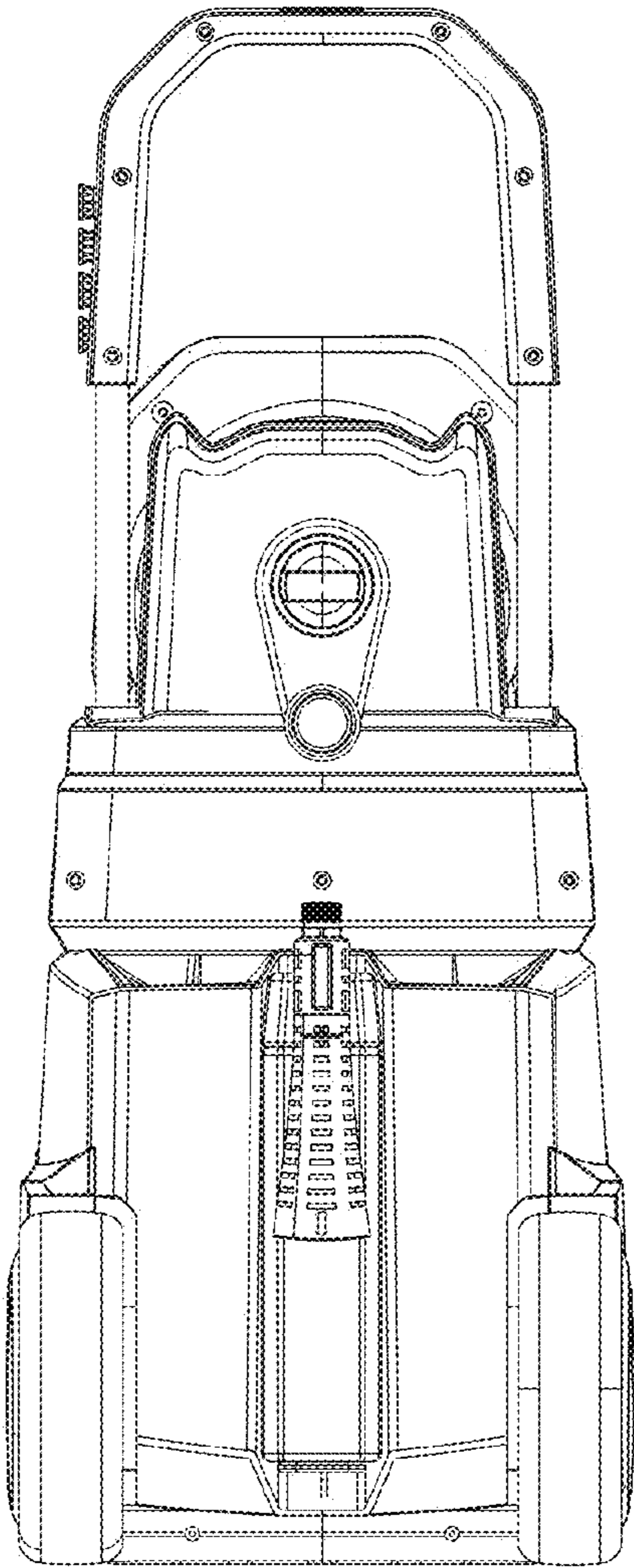


Figure 12

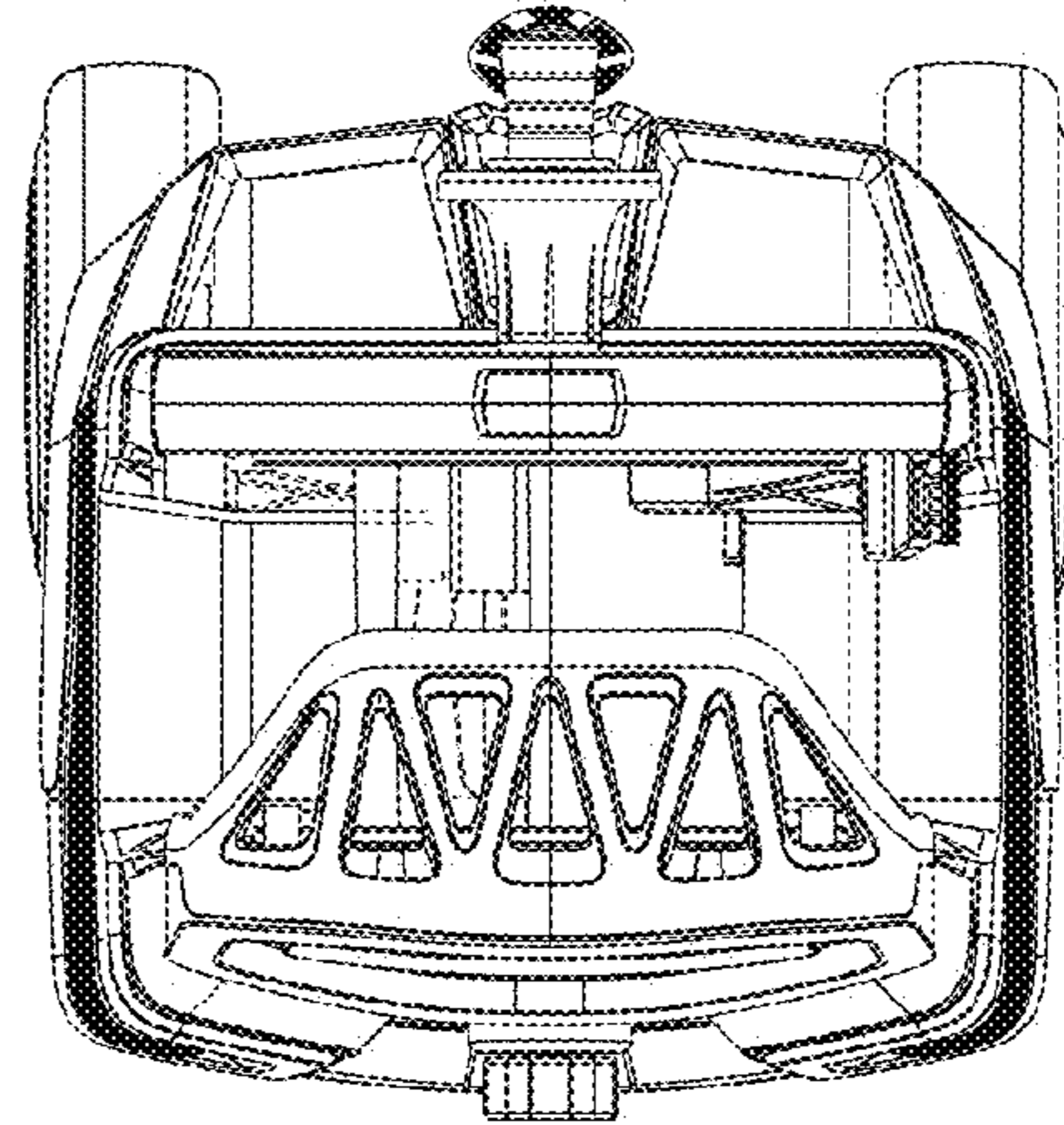


Figure 13

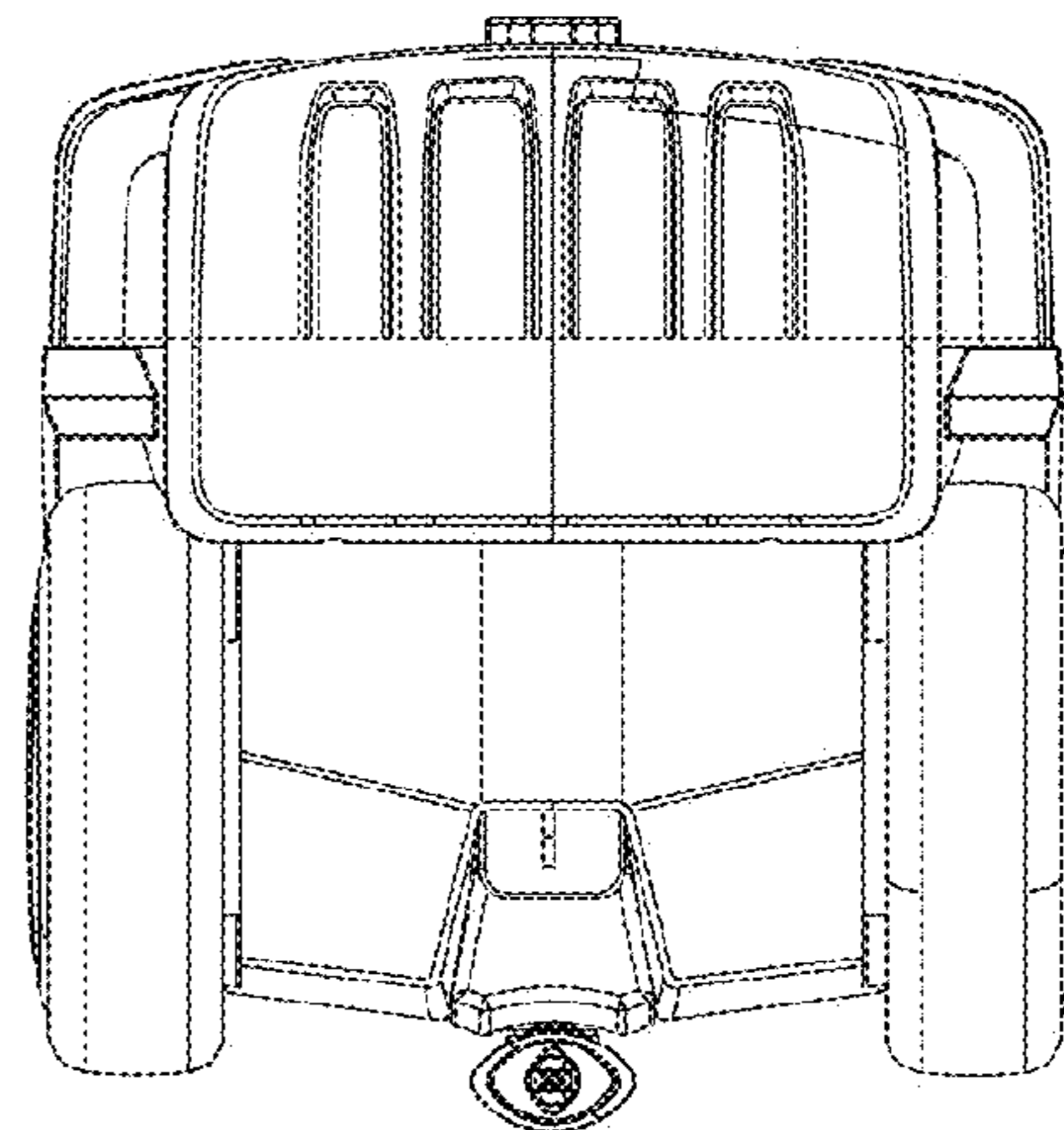


Figure 14