



US00D743642S

(12) **United States Design Patent**  
**Lee et al.**

(10) **Patent No.:** **US D743,642 S**  
(45) **Date of Patent:** **\*\* Nov. 17, 2015**

(54) **HANDLE FOR HOME APPLIANCE**

(71) Applicant: **Samsung Electronics Co., Ltd.**,  
Suwon-si, Gyeonggi-do (KR)

(72) Inventors: **Jae-Moon Lee**, Seoul (KR); **Ji-Young Shin**, Seoul (KR); **Jae-Jun Kim**, Seoul (KR)

(73) Assignee: **SAMSUNG ELECTRONICS CO., LTD.** (KR)

(\*\*) Term: **14 Years**

(21) Appl. No.: **29/494,335**

(22) Filed: **Jun. 19, 2014**

(30) **Foreign Application Priority Data**

Dec. 20, 2013 (KR) ..... 30-2013-0064493

(51) **LOC (10) Cl.** ..... **15-05**

(52) **U.S. Cl.**  
USPC ..... **D32/3; D8/316**

(58) **Field of Classification Search**  
USPC ..... D32/1, 2, 3, 25, 28; D8/301, 306, 316,  
D8/317, 319, 320, 338, 352, 353, DIG. 1  
CPC ..... D06F 58/00; D06F 58/02; D06F 58/04;  
D06F 58/20  
See application file for complete search history.

(56) **References Cited**

**U.S. PATENT DOCUMENTS**

D424,873 S \* 5/2000 Holbrook ..... D7/402  
D572,110 S \* 7/2008 Busalt et al. .... D8/316

D593,799 S \* 6/2009 Cruver et al. .... D7/402  
D597,820 S \* 8/2009 Kirk ..... D8/317  
D614,013 S \* 4/2010 Saubert et al. .... D8/317  
D646,141 S \* 10/2011 Jeon et al. .... D8/316  
D680,809 S \* 4/2013 Kim et al. .... D7/402  
D688,518 S \* 8/2013 Baek et al. .... D7/402  
D732,249 S \* 6/2015 Roberson ..... D32/3

\* cited by examiner

*Primary Examiner* — T. Chase Nelson

*Assistant Examiner* — Michelle E Wilson

(74) *Attorney, Agent, or Firm* — Cantor Colburn LLP

(57) **CLAIM**

The ornamental design for a handle for home appliance, as shown and described.

**DESCRIPTION**

FIG. 1 is a perspective view of a handle for home appliance, showing our new design;  
FIG. 2 is a front elevation view thereof;  
FIG. 3 is a rear elevation view thereof;  
FIG. 4 is a side elevation view thereof;  
FIG. 5 is a another side elevation view thereof;  
FIG. 6 is a top plan view thereof;  
FIG. 7 is a bottom plan view thereof;  
FIG. 8 is another perspective view of thereof in an environment of use; and,  
FIG. 9 is an enlarged cross-sectional view thereof taken along line 9-9 of FIG. 1.  
The broken lines are for environmental purpose only and form no part of the claimed design.

**1 Claim, 6 Drawing Sheets**

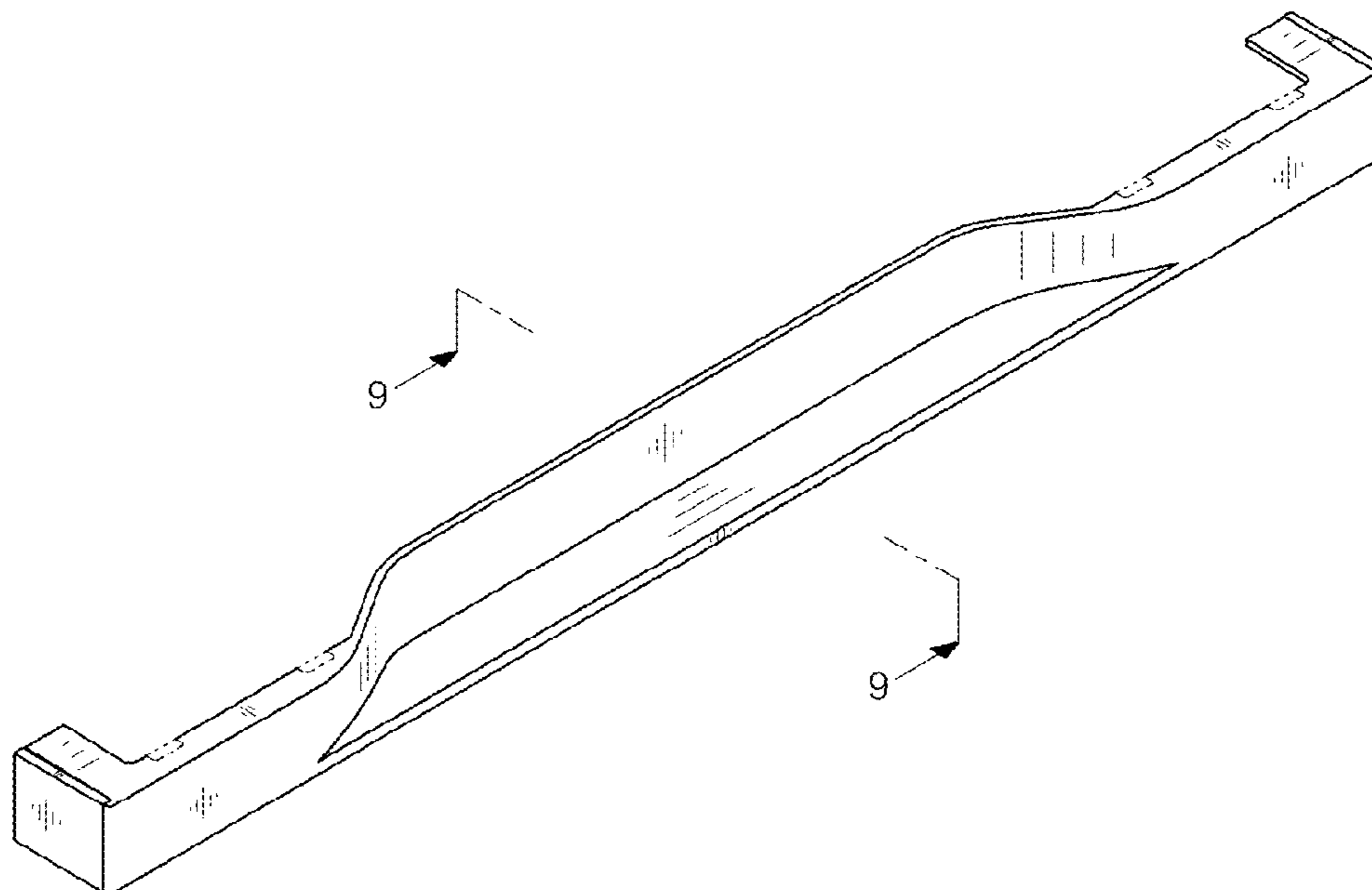


FIG. 1

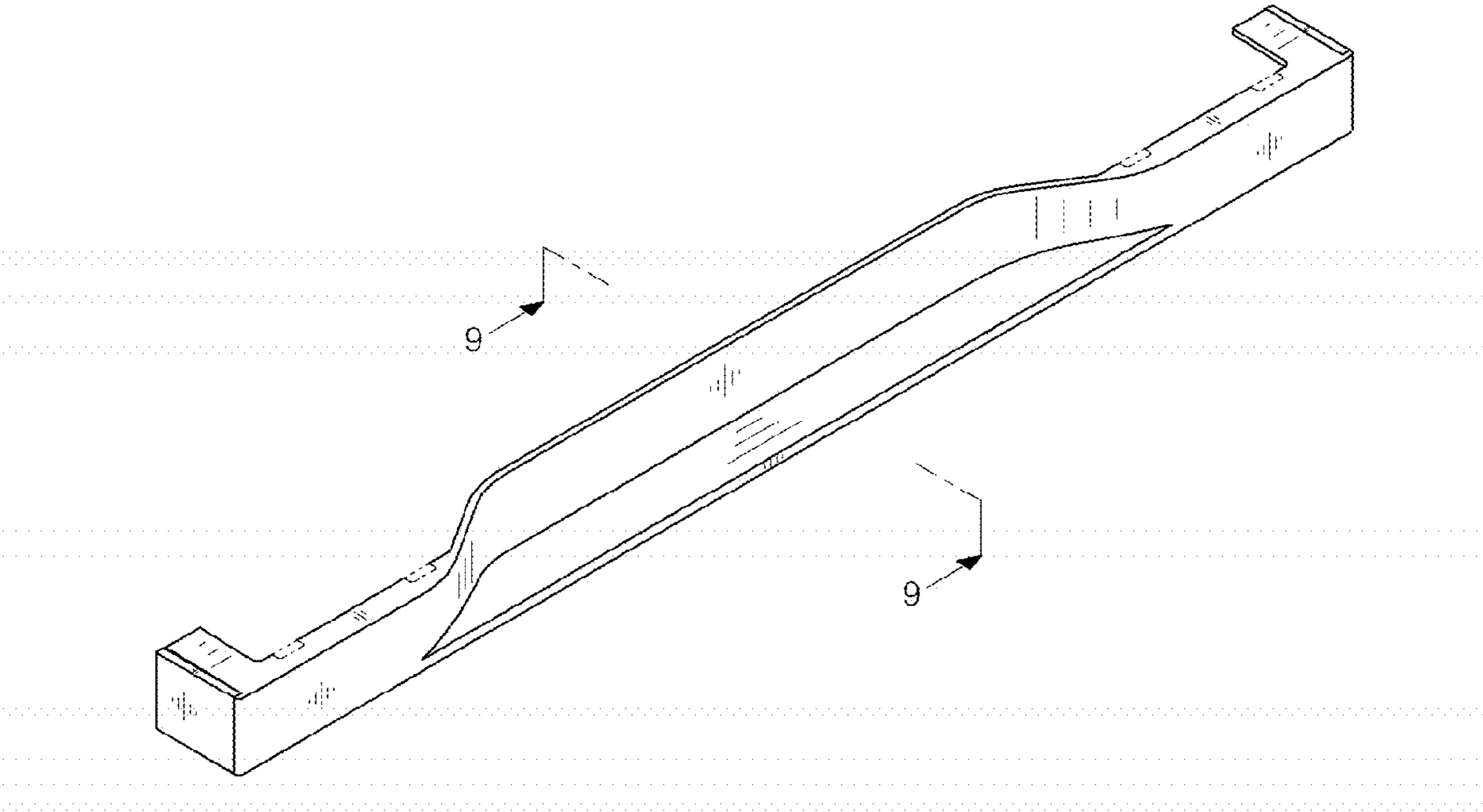


FIG. 2

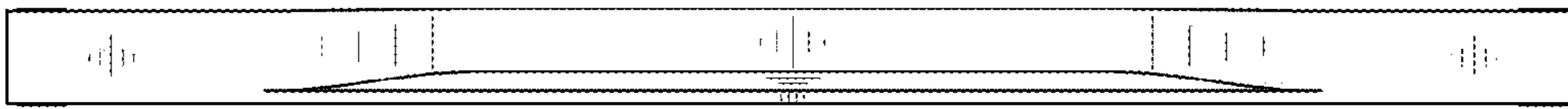


FIG. 3

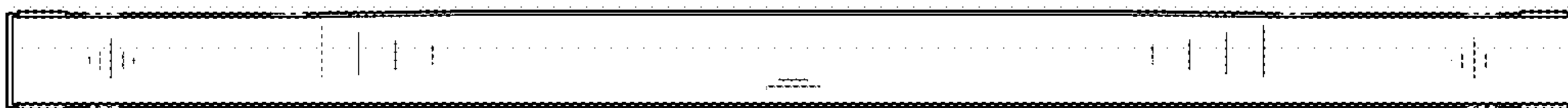


FIG. 4

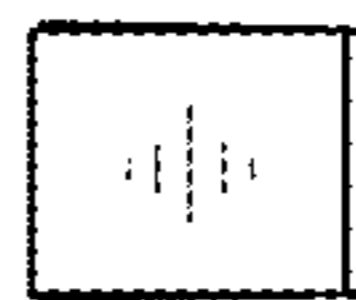


FIG. 5

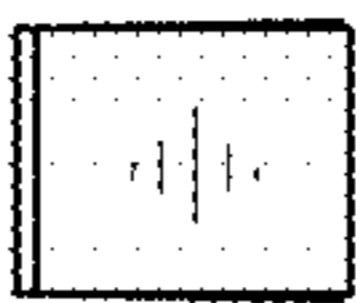


FIG. 6

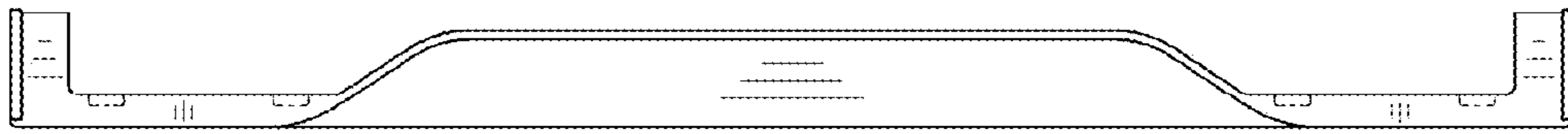


FIG. 7

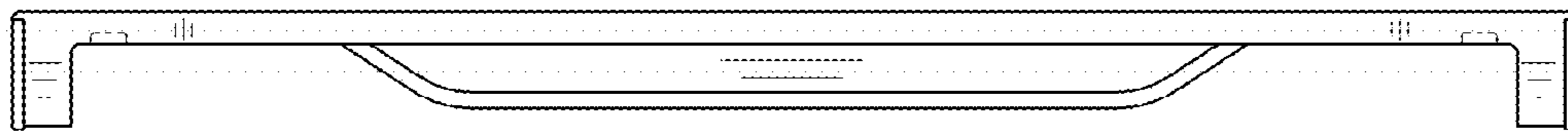


FIG. 8

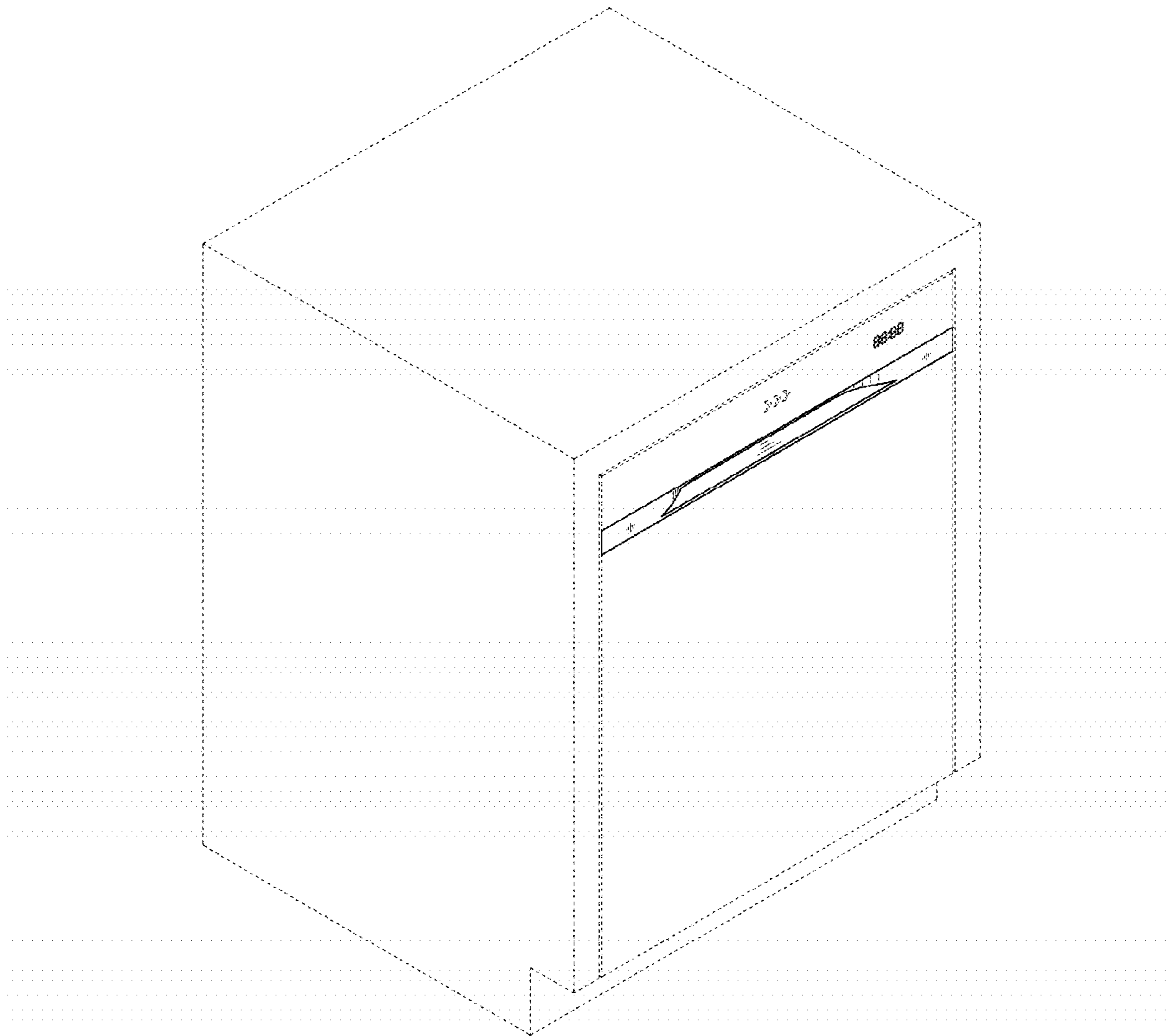


FIG. 9

