



US00D743638S

(12) **United States Design Patent**
Byrne

(10) **Patent No.:** **US D743,638 S**
(45) **Date of Patent:** **** *Nov. 17, 2015**

- (54) **DOUBLE KNOTTED BRAIDED ROPE PET TOY**
- (71) Applicant: **C.B. Worldwide, Inc.**, Mammoth Lakes, CA (US)
- (72) Inventor: **Charles A. Byrne**, Mammoth Lakes, CA (US)
- (73) Assignee: **C.B. Worldwide, Inc.**, Mammoth Lakes, CA (US)
- (*) Notice: This patent is subject to a terminal disclaimer.
- (**) Term: **14 Years**
- (21) Appl. No.: **29/498,156**
- (22) Filed: **Jul. 31, 2014**
- (51) **LOC (10) Cl.** **30-99**
- (52) **U.S. Cl.**
USPC **D30/160**
- (58) **Field of Classification Search**
USPC D30/160; 119/702, 706-707; 87/6, 8-9; 57/232; 29/890.144; 138/125; 156/50
CPC A01K 15/00; A01K 15/02; A01K 15/025; A01K 29/00; A63B 65/10; A63B 67/06; A63H 5/00; A63H 15/00; B29C 63/06; B66C 1/12; D02G 3/36; F16L 11/10; H01B 13/06
See application file for complete search history.

(56) **References Cited**

U.S. PATENT DOCUMENTS

- 2,740,316 A * 4/1956 Crossley D04D 1/00 385/100
- 2,979,982 A * 4/1961 Weitzel D04D 1/00 57/235
- 4,036,101 A * 7/1977 Burnett D04C 1/12 294/74
- 4,312,260 A * 1/1982 Morieras D07B 1/04 174/121 R
- 4,924,811 A * 5/1990 Axelrod A61D 5/00 119/710
- 4,973,370 A * 11/1990 Kreinberg H01R 4/2495 156/50
- 5,033,410 A * 7/1991 Sigurdsson A01K 15/026 119/710

- 5,142,782 A * 9/1992 Martucci B29C 63/24 138/125
- D348,959 S * 7/1994 Lawson D30/160
- 5,357,904 A * 10/1994 Takahashi A01K 15/025 119/708
- D356,879 S * 3/1995 O'Rourke D30/160
- 5,477,815 A * 12/1995 O'Rourke A01K 15/026 119/710
- 5,802,828 A * 9/1998 Adorno D02G 3/045 156/172
- 6,044,800 A * 4/2000 Kubo A01K 15/026 119/709
- 6,050,224 A * 4/2000 Owens A01K 15/026 119/709
- 6,178,922 B1 * 1/2001 Denesuk A01K 1/0152 119/710
- D505,233 S * 5/2005 Viola D30/160
- D513,547 S * 1/2006 Baron D30/160

(Continued)

OTHER PUBLICATIONS

R.C. Steele Wholesale Pet Supplies catalog; p. 61; Booda 100% Cotton Fiber Bones; #S20-0924/0925/0926/1929.*

(Continued)

Primary Examiner — Cathy Anne MacCormac
(74) *Attorney, Agent, or Firm* — Martino Patent Law at the Law Offices of Sepehr Daghighian

(57) **CLAIM**

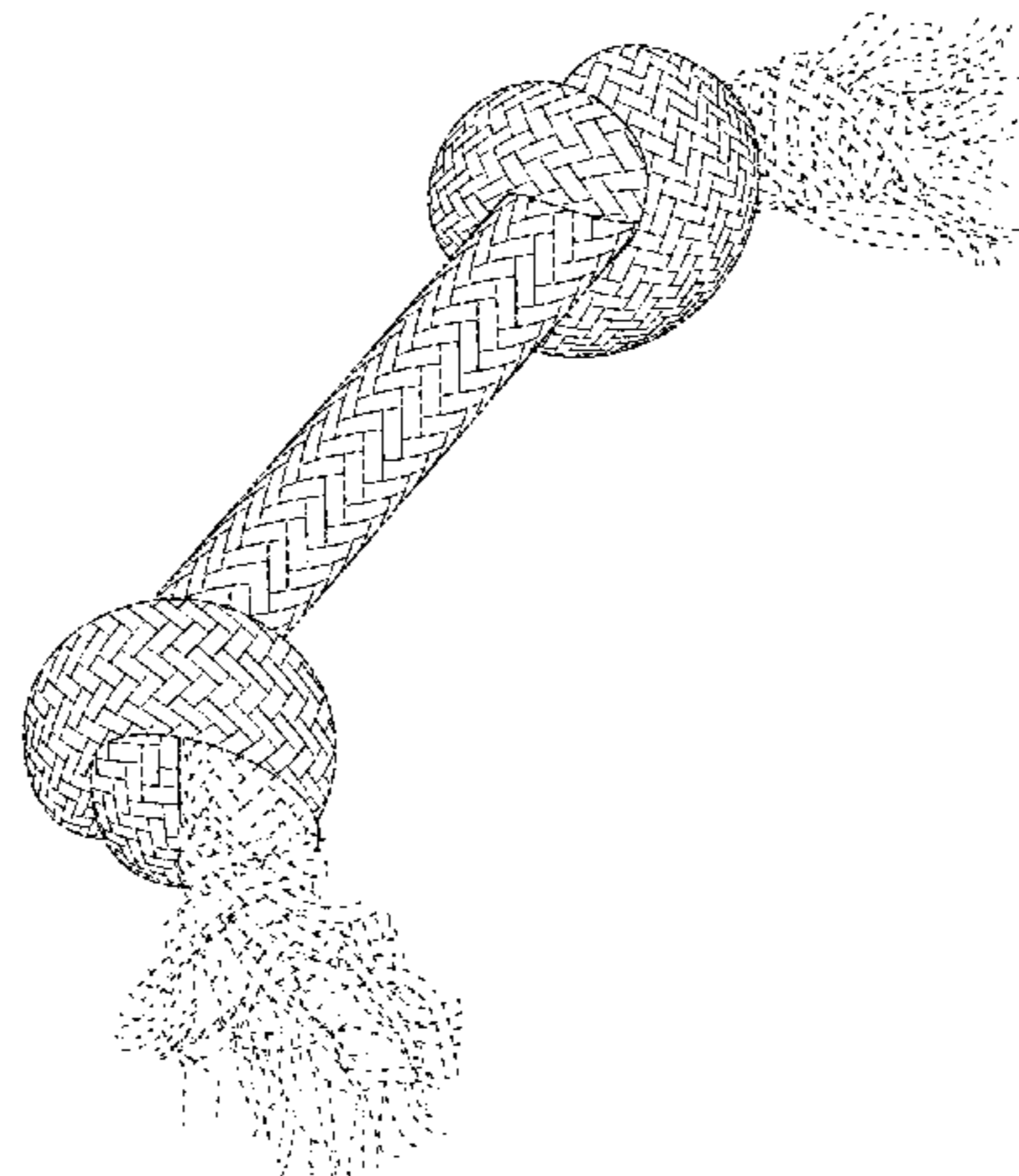
The ornamental design for a double knotted braided rope pet toy, as shown and described.

DESCRIPTION

FIG. 1 is a perspective view of a double knotted braided rope pet toy embodying my new design; FIG. 2 is a front elevation view thereof; FIG. 3 is a rear elevation view thereof; FIG. 4 is a right side elevation view thereof; FIG. 5 is a left side elevation view thereof; FIG. 6 is a top plan view thereof; and, FIG. 7 is a bottom plan view thereof.

The broken lines depict environmental subject matter, are for illustration only and form no part of the claimed design.

1 Claim, 3 Drawing Sheets



(56)

References Cited

U.S. PATENT DOCUMENTS

D605,737 S * 12/2009 von Glanstaetten D23/266
D657,234 S * 4/2012 Herman D8/382
D661,850 S * 6/2012 Byrne D30/160
D710,554 S * 8/2014 Byrne D30/160
2002/0144742 A1 * 10/2002 Martucci F16L 11/127
138/125
2007/0215063 A1 * 9/2007 Simpson A01K 15/026
119/708

OTHER PUBLICATIONS

Mammoth Pet Products catalogs; p. 3; Rope Bone (white)
#10000F—100008F/#10066F.*
Mammoth Pet Products catalogs; p. 3; Three Knot Tug (white)
#10012F—100166F.*
Mammoth Pet Products catalogs; p. 3; Four & Five Knot Tug (white)
#10036F—20038F.*

* cited by examiner

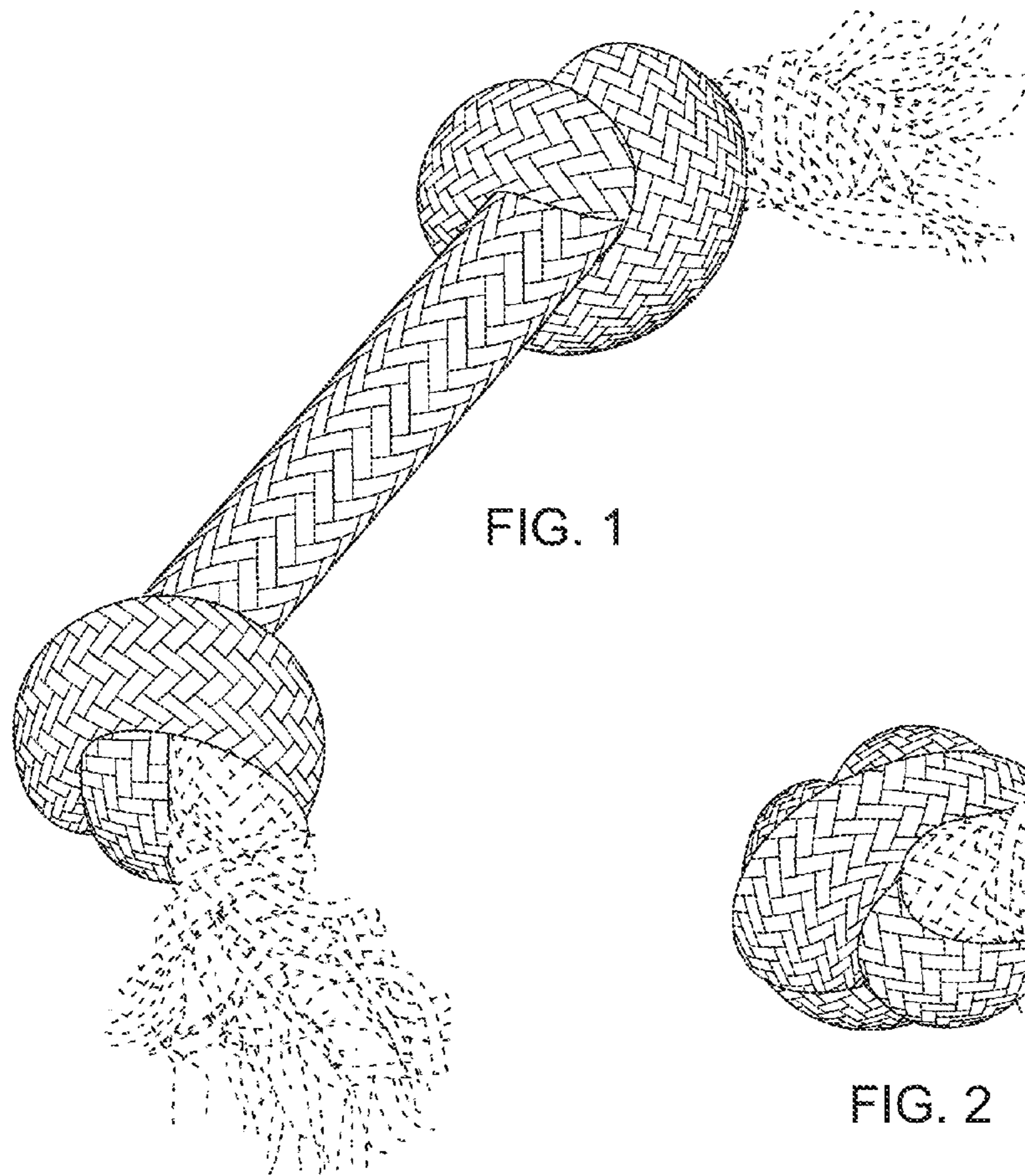


FIG. 1

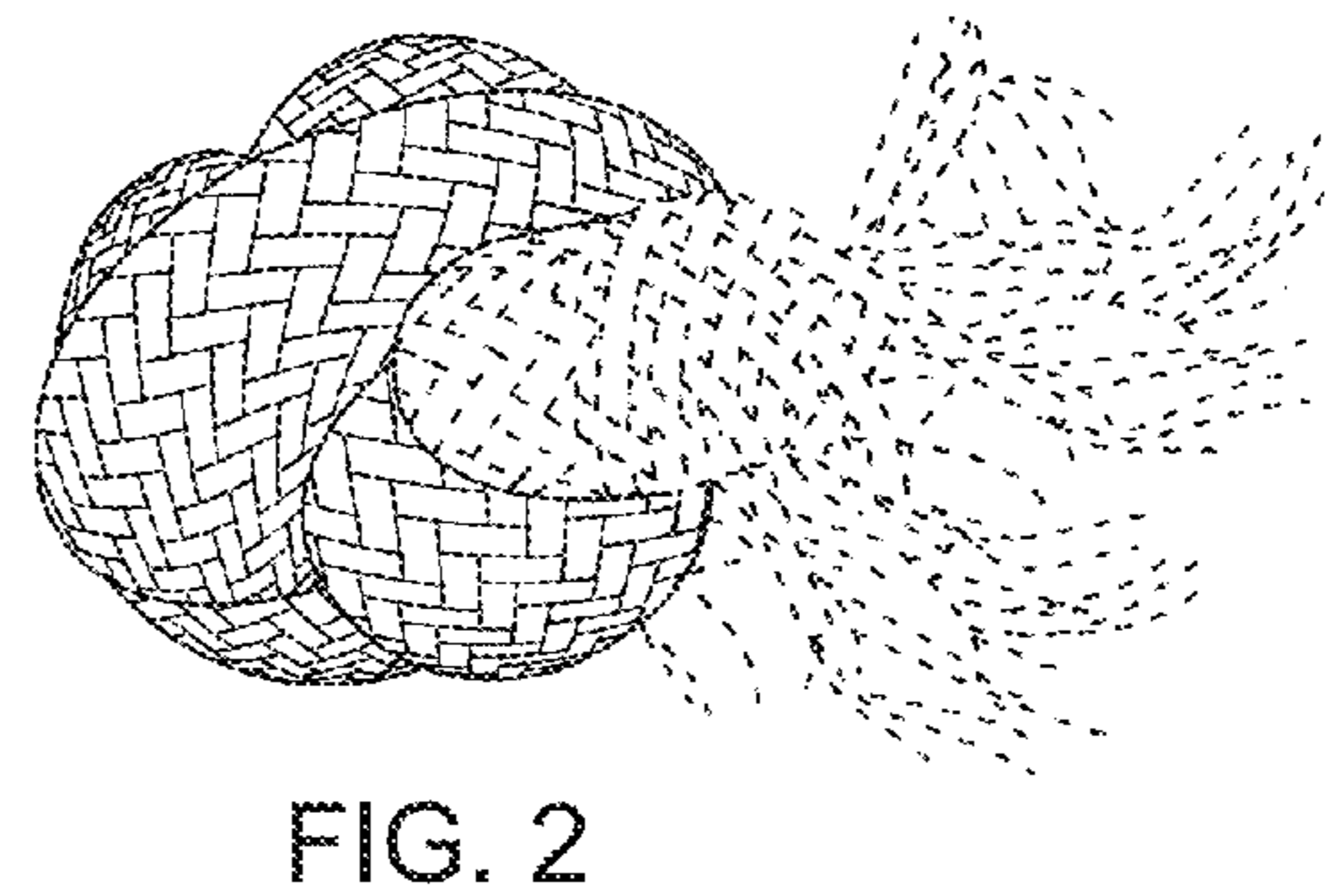


FIG. 2

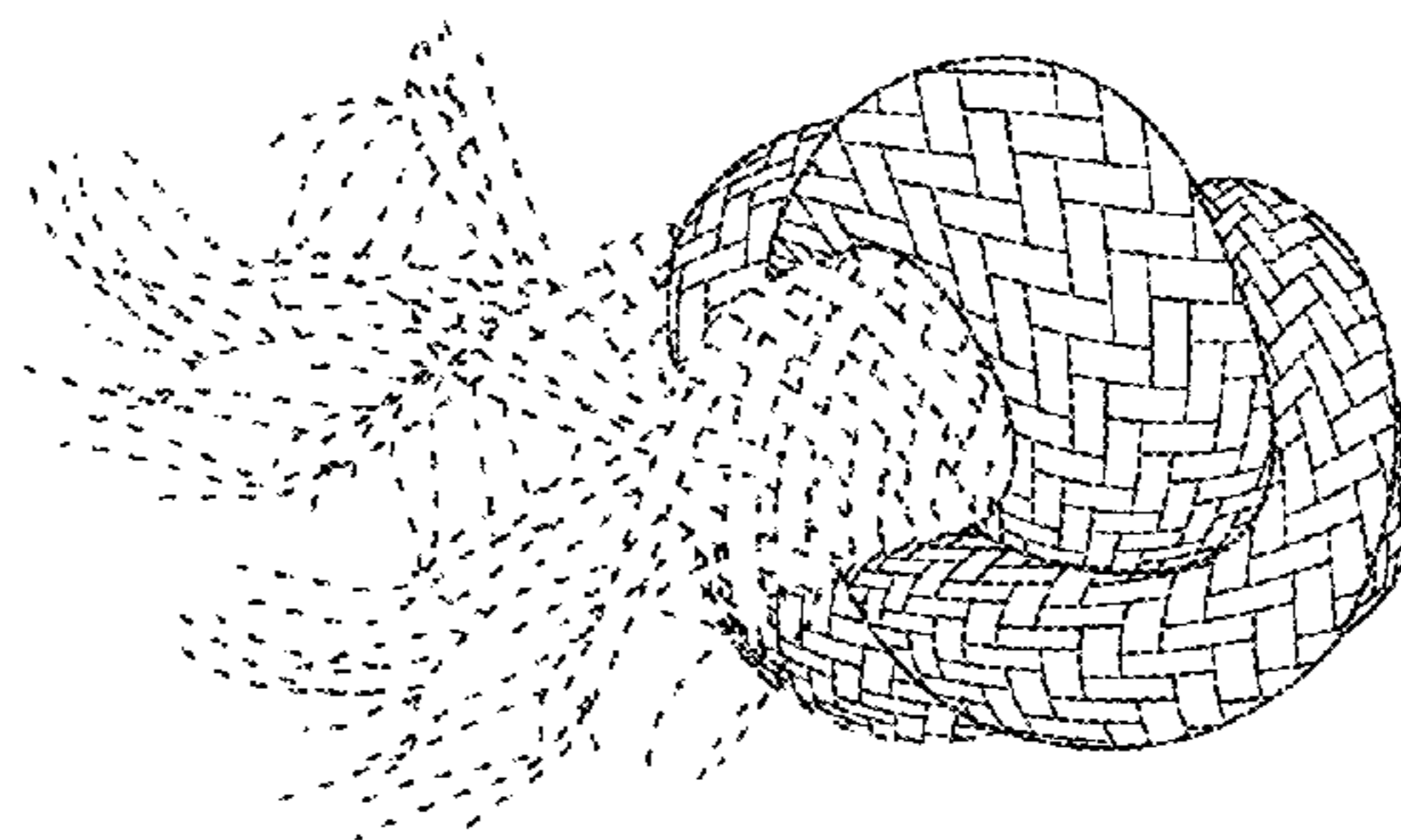


FIG. 3

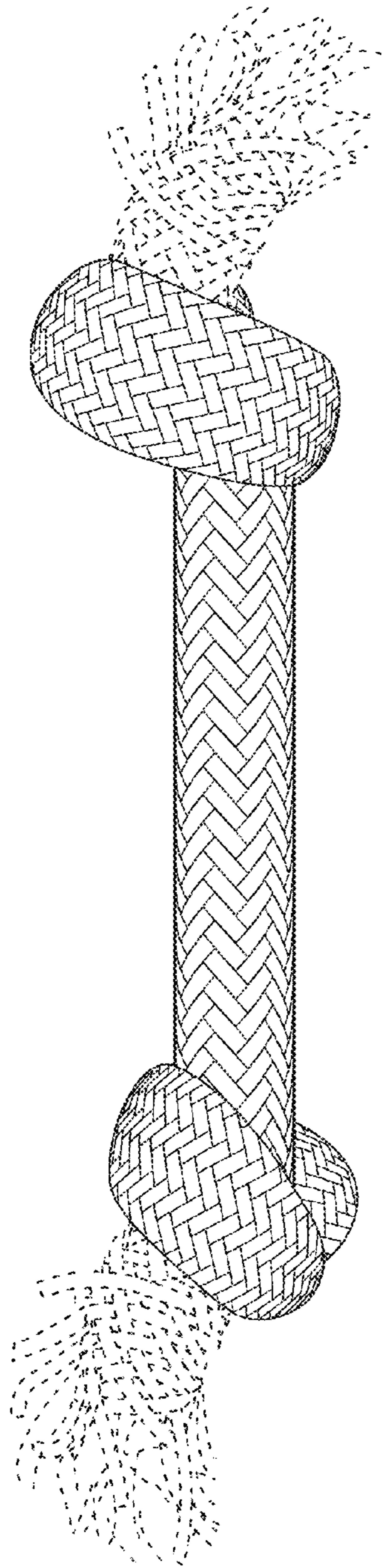


FIG. 4

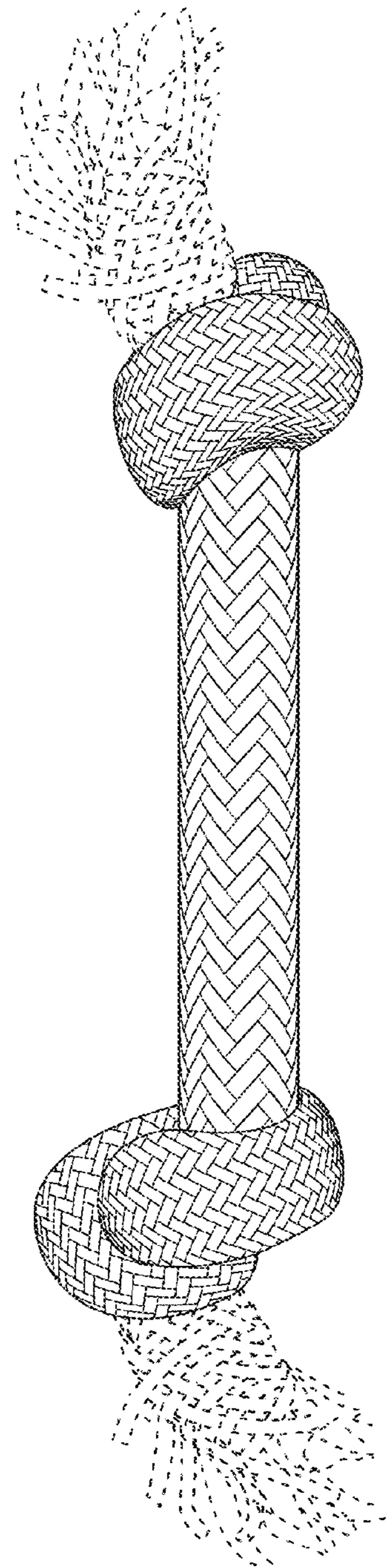


FIG. 5

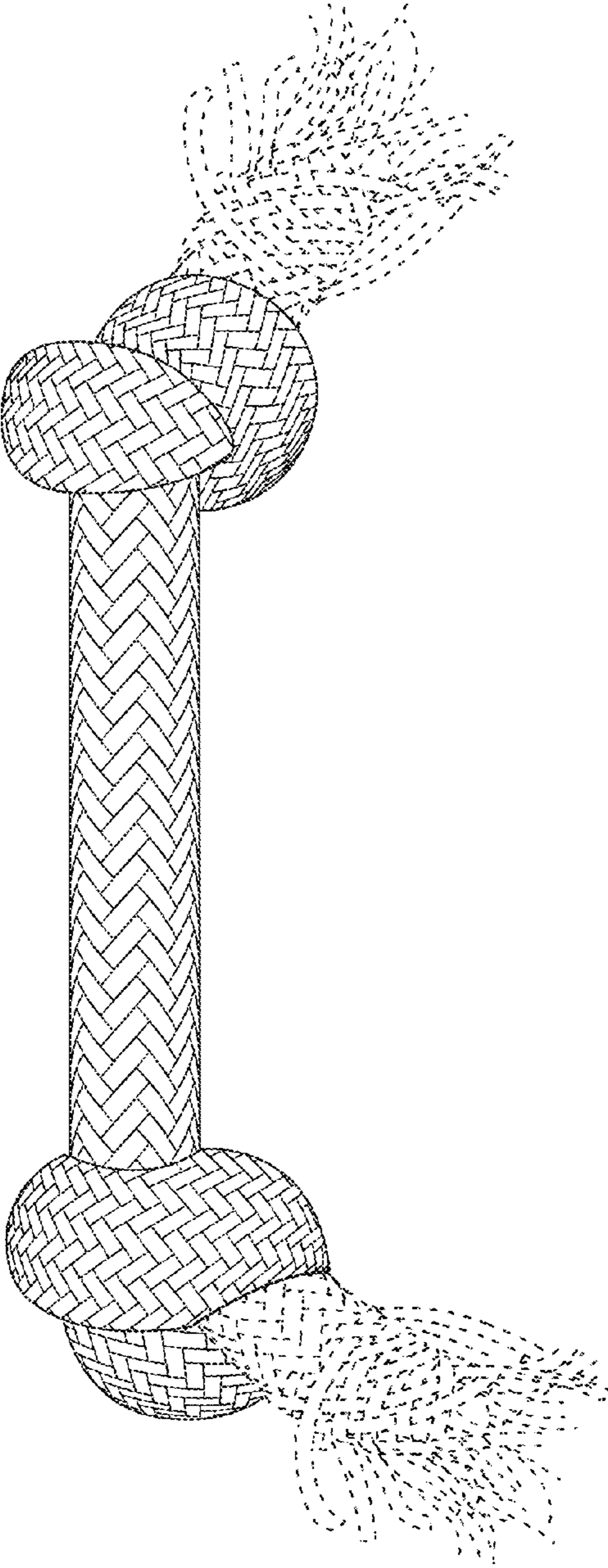


FIG. 6

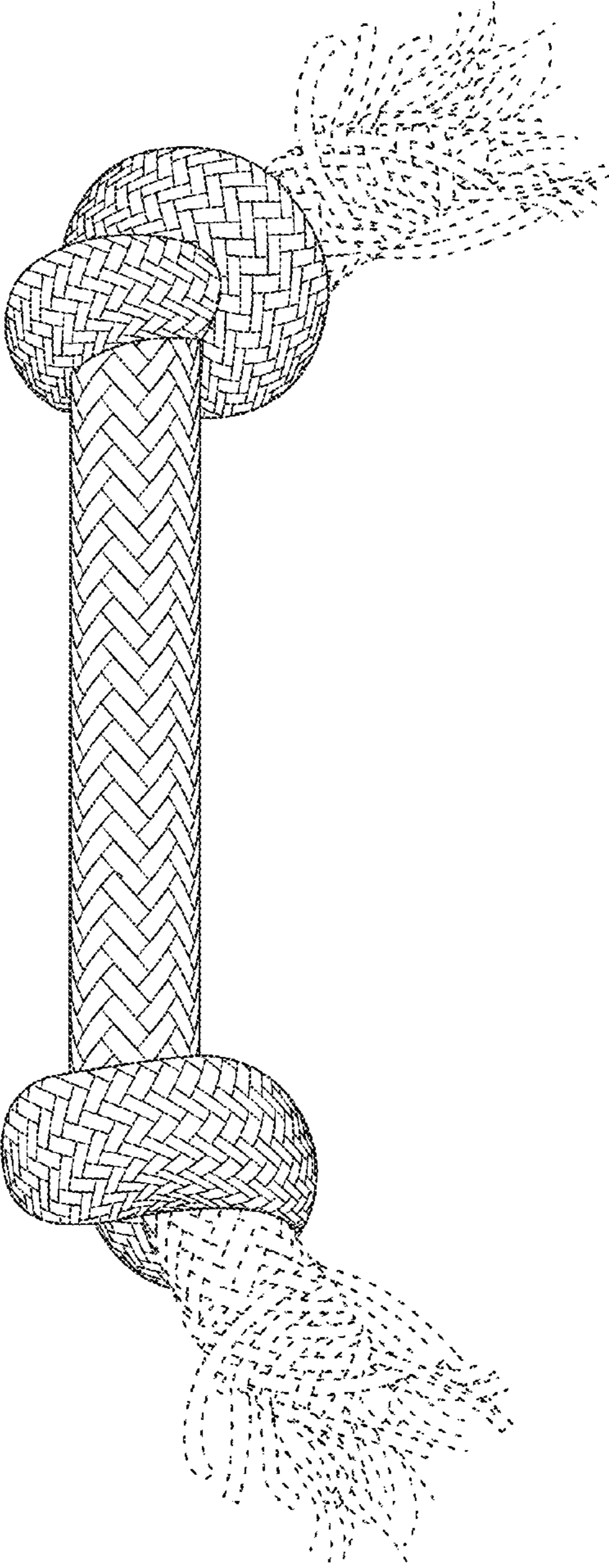


FIG. 7