



US00D743637S

(12) **United States Design Patent**
Ruetenik

(10) **Patent No.:** **US D743,637 S**

(45) **Date of Patent:** **** Nov. 17, 2015**

(54) **EQUINE ICE BOOT**

(71) Applicant: **Monty L. Ruetenik**, Clear Lake Shores,
TX (US)

(72) Inventor: **Monty L. Ruetenik**, Clear Lake Shores,
TX (US)

(**) Term: **14 Years**

(21) Appl. No.: **29/495,883**

(22) Filed: **Jul. 7, 2014**

(51) **LOC (10) CL.** **30-01**

(52) **U.S. Cl.**
USPC **D30/144**

(58) **Field of Classification Search**
USPC D30/144, 156, 147, 146; 168/18, 28;
54/82; 119/820, 850; 2/16; 482/105;
128/882

CPC A01L 3/00; A01K 13/007; A01K 15/02;
A61D 9/00; A41D 13/153; A61F 7/02

See application file for complete search history.

(56) **References Cited**

U.S. PATENT DOCUMENTS

- 72,594 A * 12/1867 Bishops A01L 3/00
168/18
- 581,042 A * 4/1897 Sites A01K 13/007
54/82
- 2,064,566 A * 12/1936 Richman A01K 13/007
36/111
- 2,937,487 A * 5/1960 Dever A01K 13/007
54/82
- 3,913,302 A * 10/1975 Centers A61D 9/00
119/820
- 4,099,269 A * 7/1978 Porner A41D 13/0153
2/16
- 4,342,185 A * 8/1982 Pellew A01K 13/007
54/82
- D267,750 S * 1/1983 Norstrom D30/146
- 4,974,398 A * 12/1990 Kaski A01K 15/02
482/105
- 5,115,627 A * 5/1992 Scott A61D 9/00
128/882
- 5,152,285 A * 10/1992 Gnegy A61F 7/02
54/82

- D352,369 S * 11/1994 Figoni D30/144
- D440,363 S * 4/2001 Ford D30/147
- 6,662,537 B1 * 12/2003 Wilson A01K 13/007
168/18

(Continued)

FOREIGN PATENT DOCUMENTS

- GB 1010058 * 4/1983
- GB 2054375 * 6/1996

OTHER PUBLICATIONS

Dover Saddlery: Ice-Vibe Boot, Announced May 17, 2012, [Site Visited Sep. 2, 2015] <http://www.doversaddlery.com/ice-vibe-circulation-therapy/p/X1-0450a/>.*

(Continued)

Primary Examiner — Eric Goodman

Assistant Examiner — Luqman McNeil

(74) *Attorney, Agent, or Firm* — Douglas Baldwin

(57) **CLAIM**

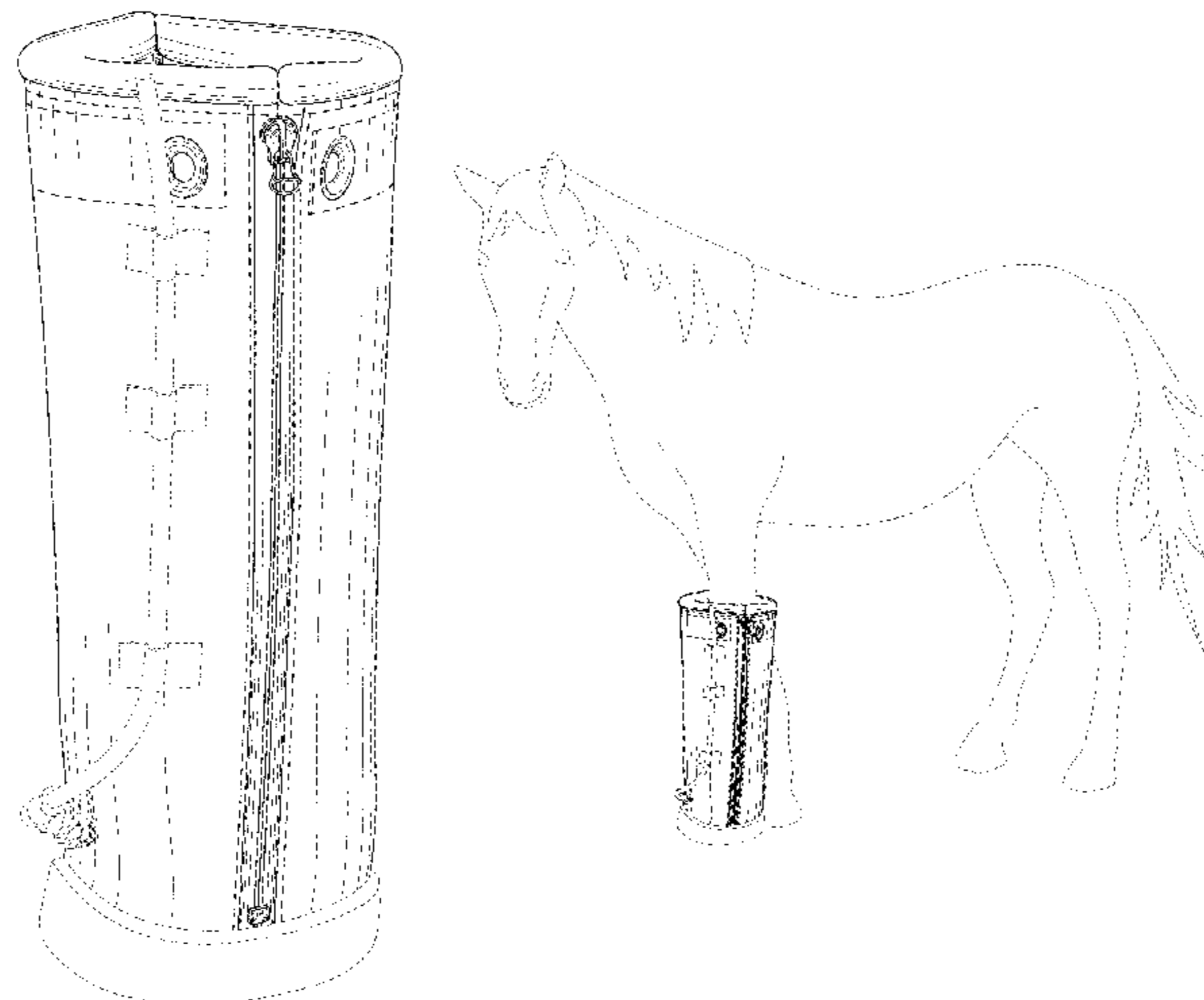
The ornamental design for an equine ice boot, as shown and described.

DESCRIPTION

FIG. 1 is a perspective view of the equine ice boot of my new design;
 FIG. 2 is a perspective view of the equine ice boot showing the sided opened;
 FIG. 3 is a side view thereof showing the equine ice boot in context of use on a horse;
 FIG. 4 is a front view thereof;
 FIG. 5 is a left side view thereof;
 FIG. 6 is a right side view thereof;
 FIG. 7 is a rear view thereof;
 FIG. 8 is a top view, thereof; and,
 FIG. 9 is bottom view thereof.

The broken line showing is included for the purpose of illustrating environment and forms no part of the claimed design.

1 Claim, 8 Drawing Sheets



(56)

References Cited

U.S. PATENT DOCUMENTS

6,694,713 B1 * 2/2004 MacDonald A01K 13/007
168/18
D514,262 S * 1/2006 Sabeh-Azar D30/146
D516,256 S * 2/2006 Dymburt D30/145
D542,482 S * 5/2007 Krottinger D30/146
D542,483 S * 5/2007 Maloney D30/146
D553,806 S * 10/2007 Giles D30/146
D565,255 S * 3/2008 Lander D30/146
D565,256 S * 3/2008 Ruetenik D30/146
D575,008 S * 8/2008 Krottinger D30/146
D616,614 S * 5/2010 Ruetenik D30/146

D633,258 S * 2/2011 Benattar D30/146
8,109,241 B2 * 2/2012 Wrenwood
Maloney A01K 13/007
119/850
D670,453 S * 11/2012 Knutson D30/146
2009/0032270 A1 * 2/2009 Ruetenik A01K 13/007
168/28

OTHER PUBLICATIONS

Six Pocket Ice Boot, Announced Sep. 1, 2009, [Site Visited Sep. 2,
2015] [http://www.horse.com/item/six-pocket-ice-boot/
SLT901190/](http://www.horse.com/item/six-pocket-ice-boot/SLT901190/).*

* cited by examiner

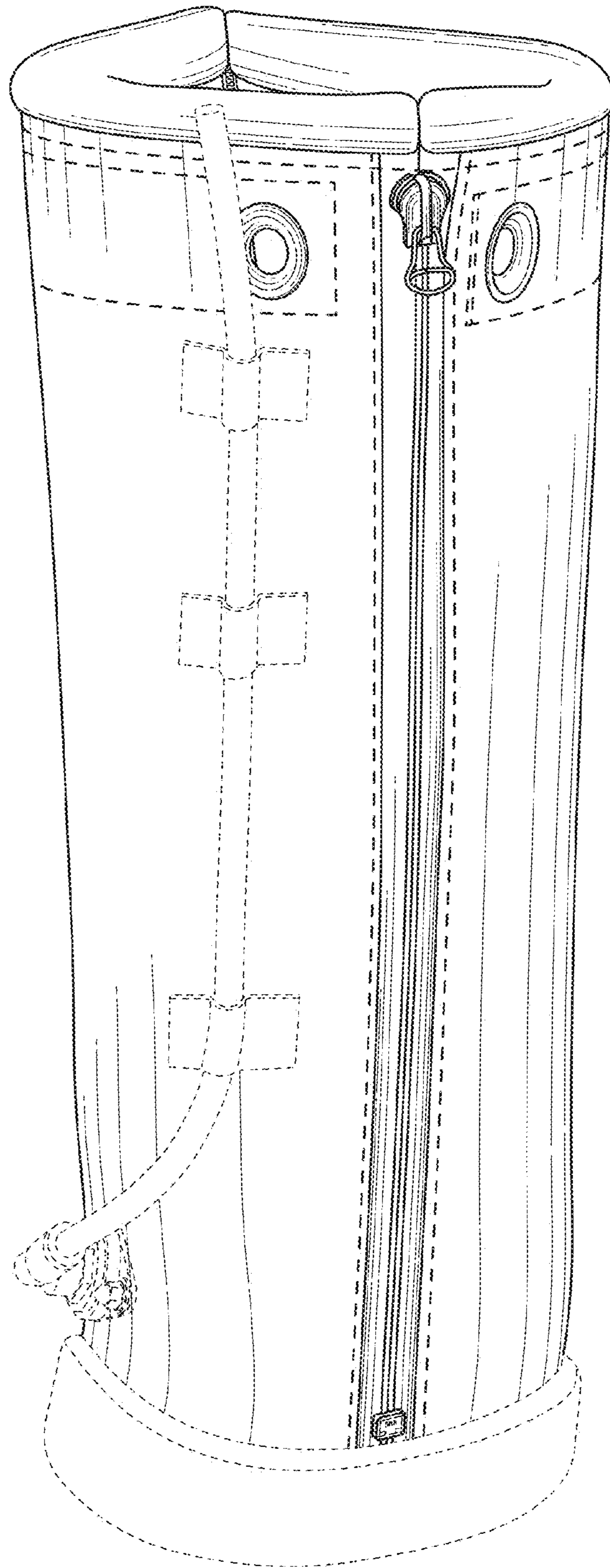


FIG. 1

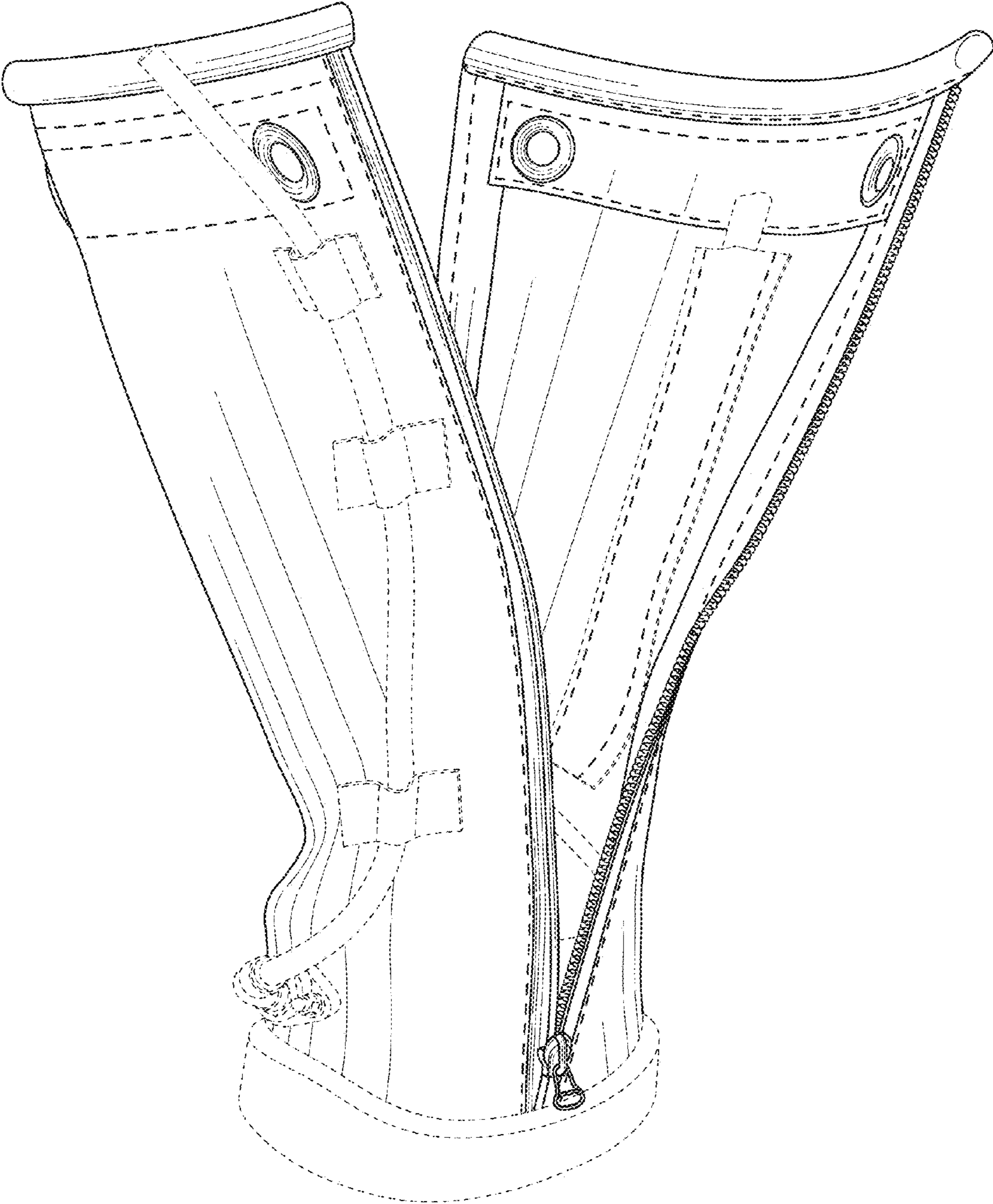


FIG. 2

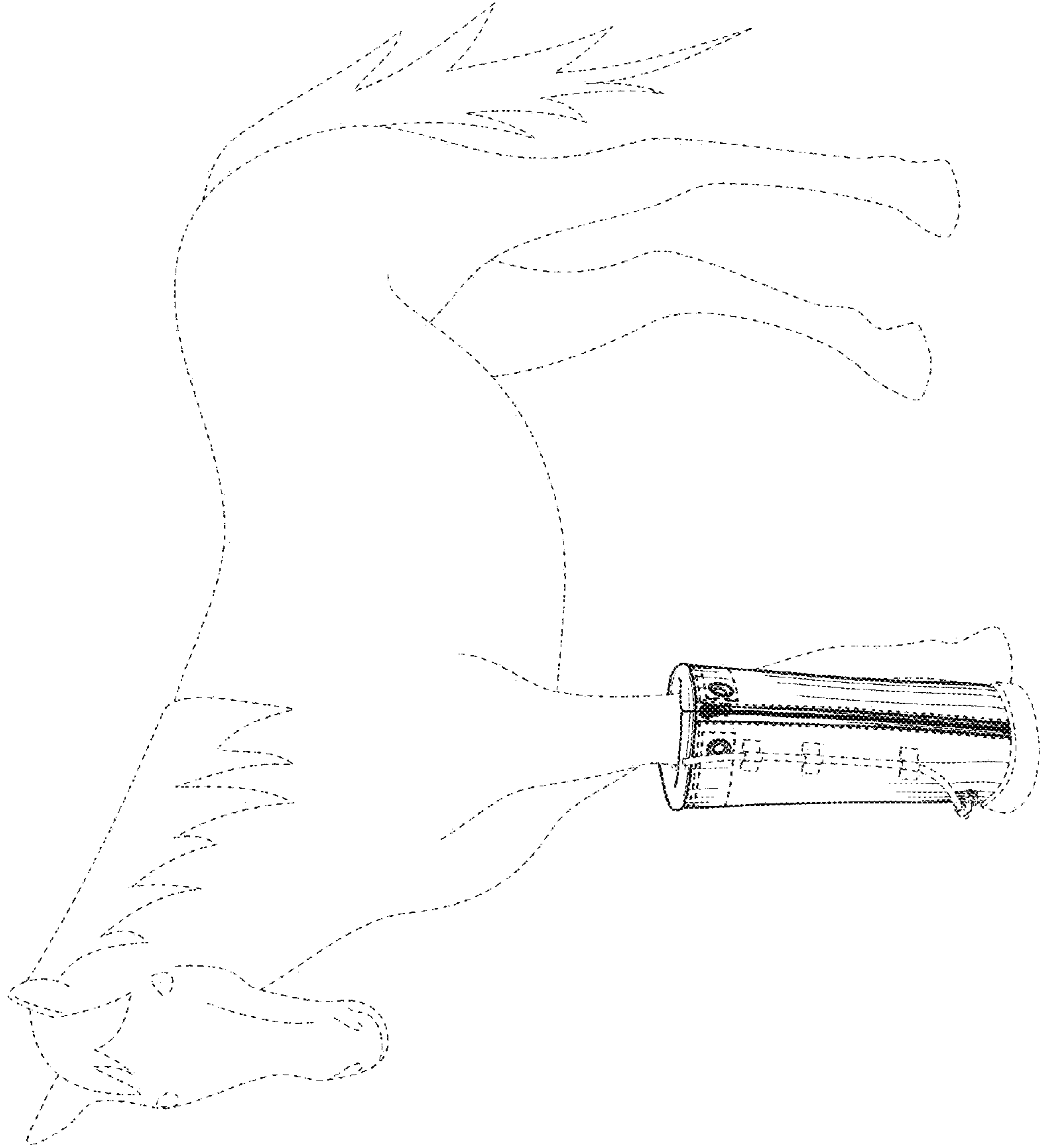


FIG. 3

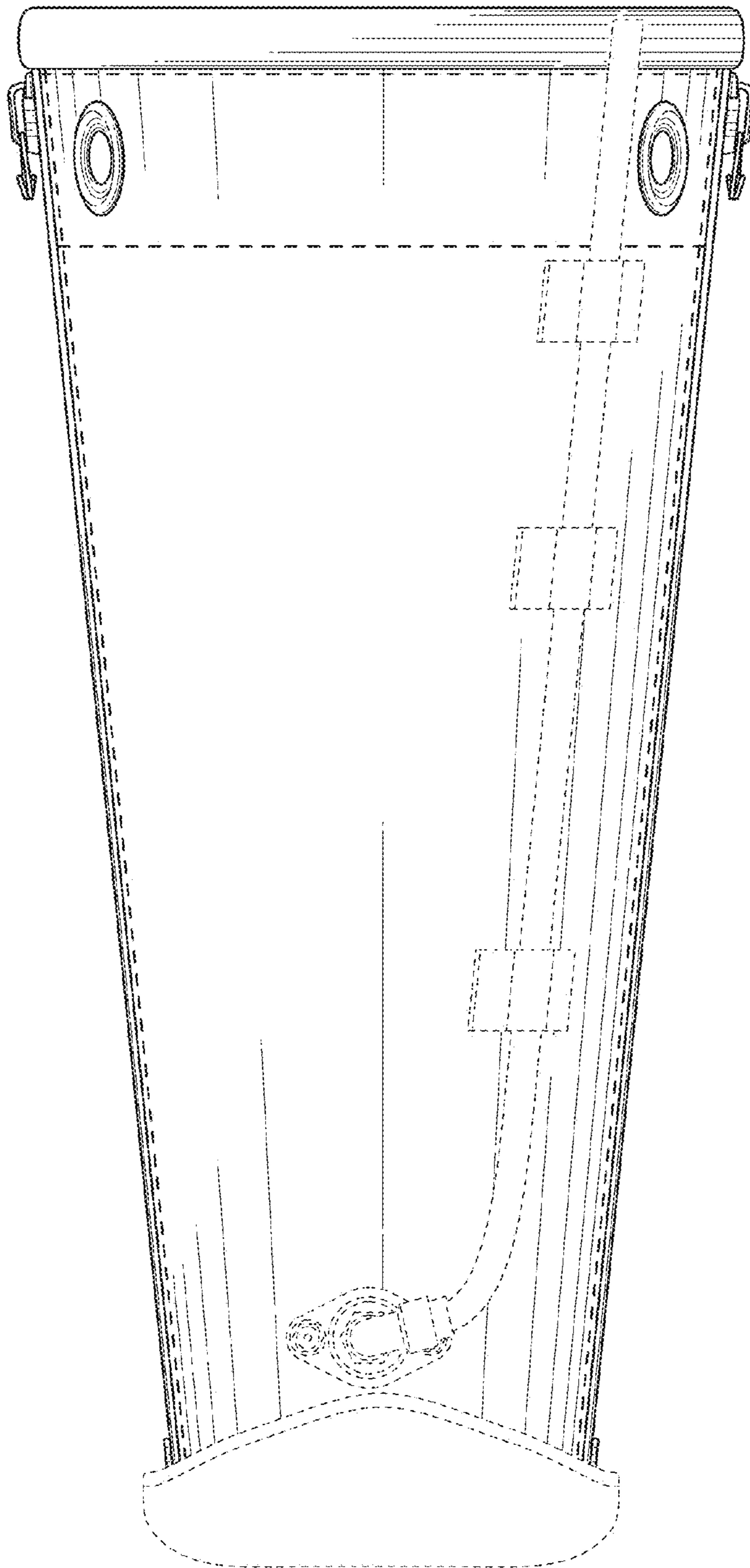


FIG. 4

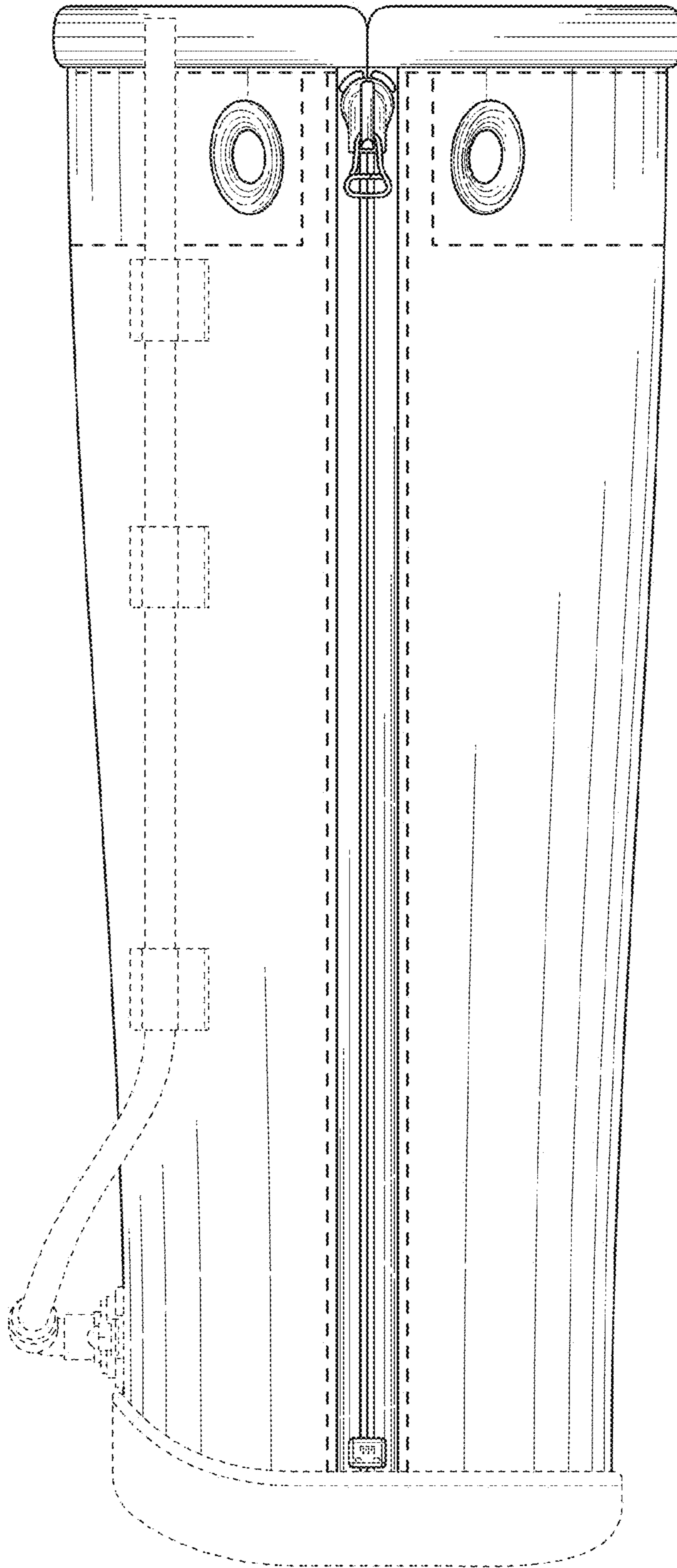


FIG. 5

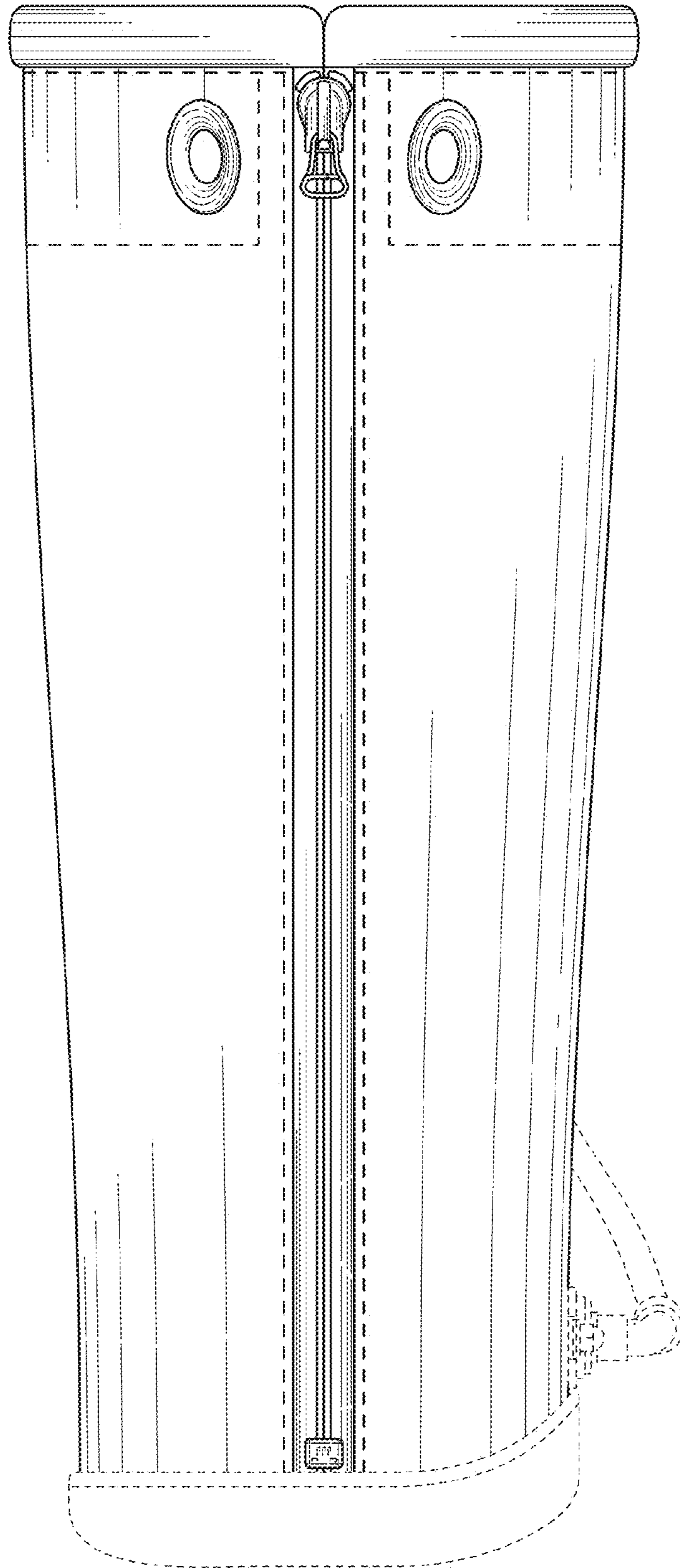


FIG. 6

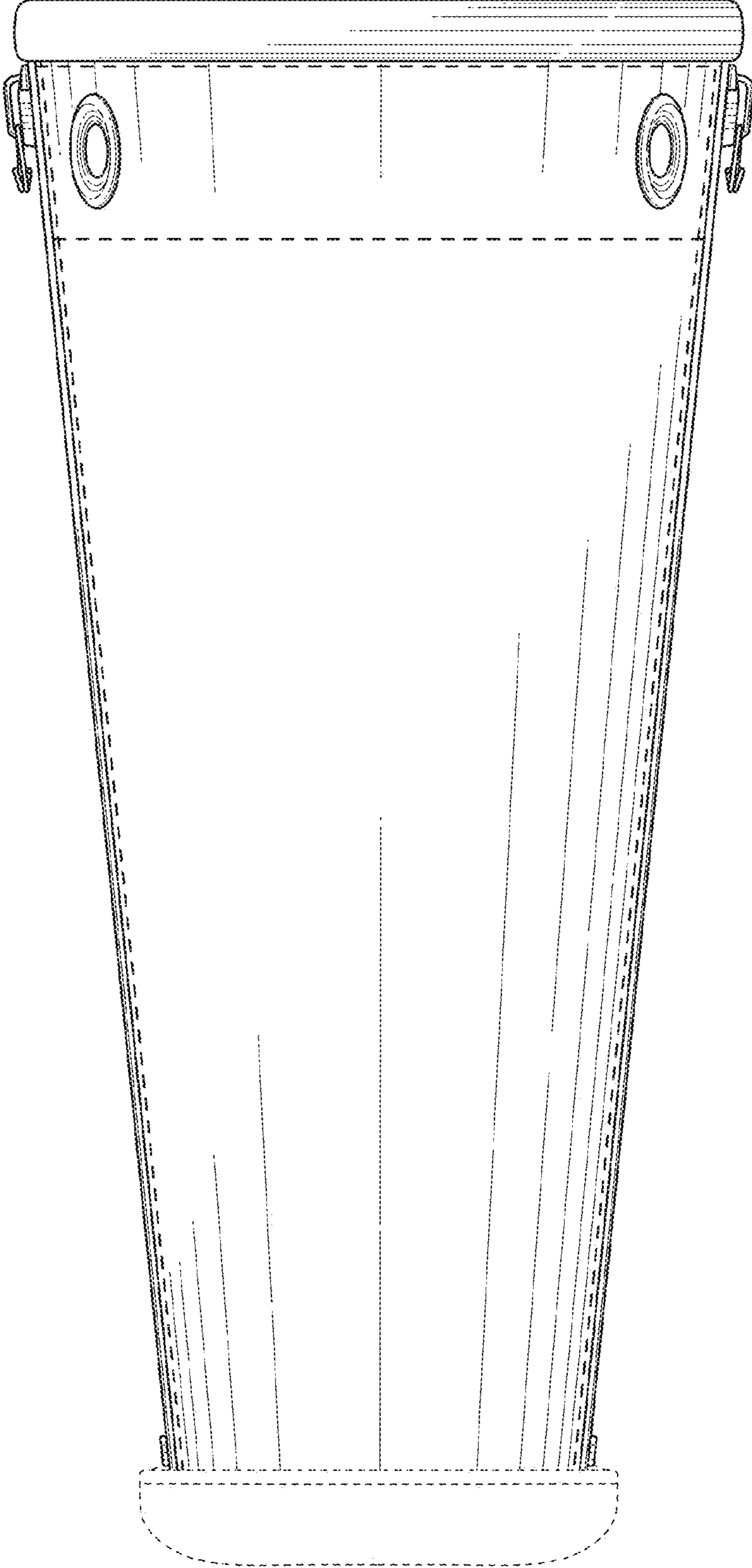


FIG. 7

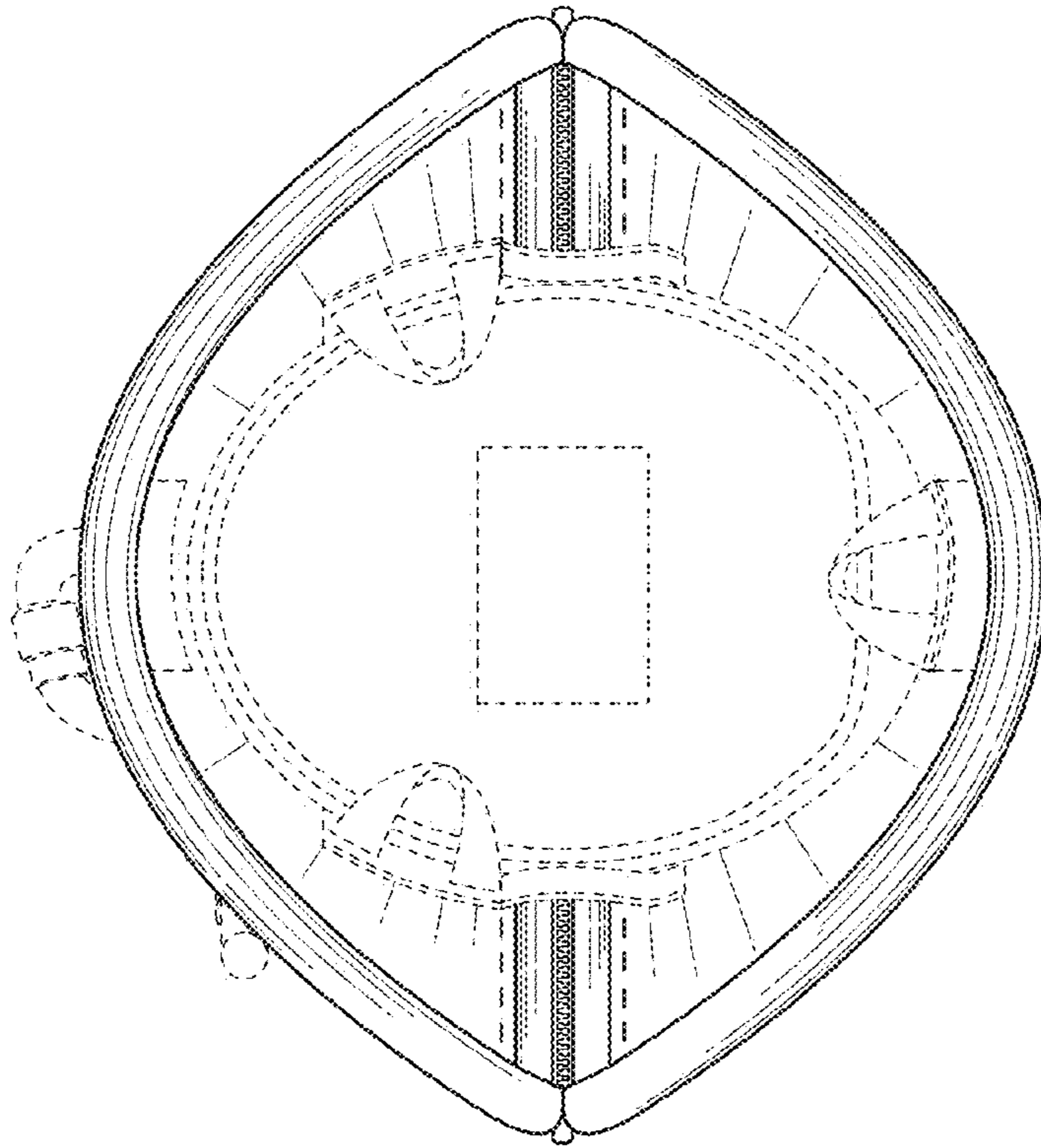


FIG. 8

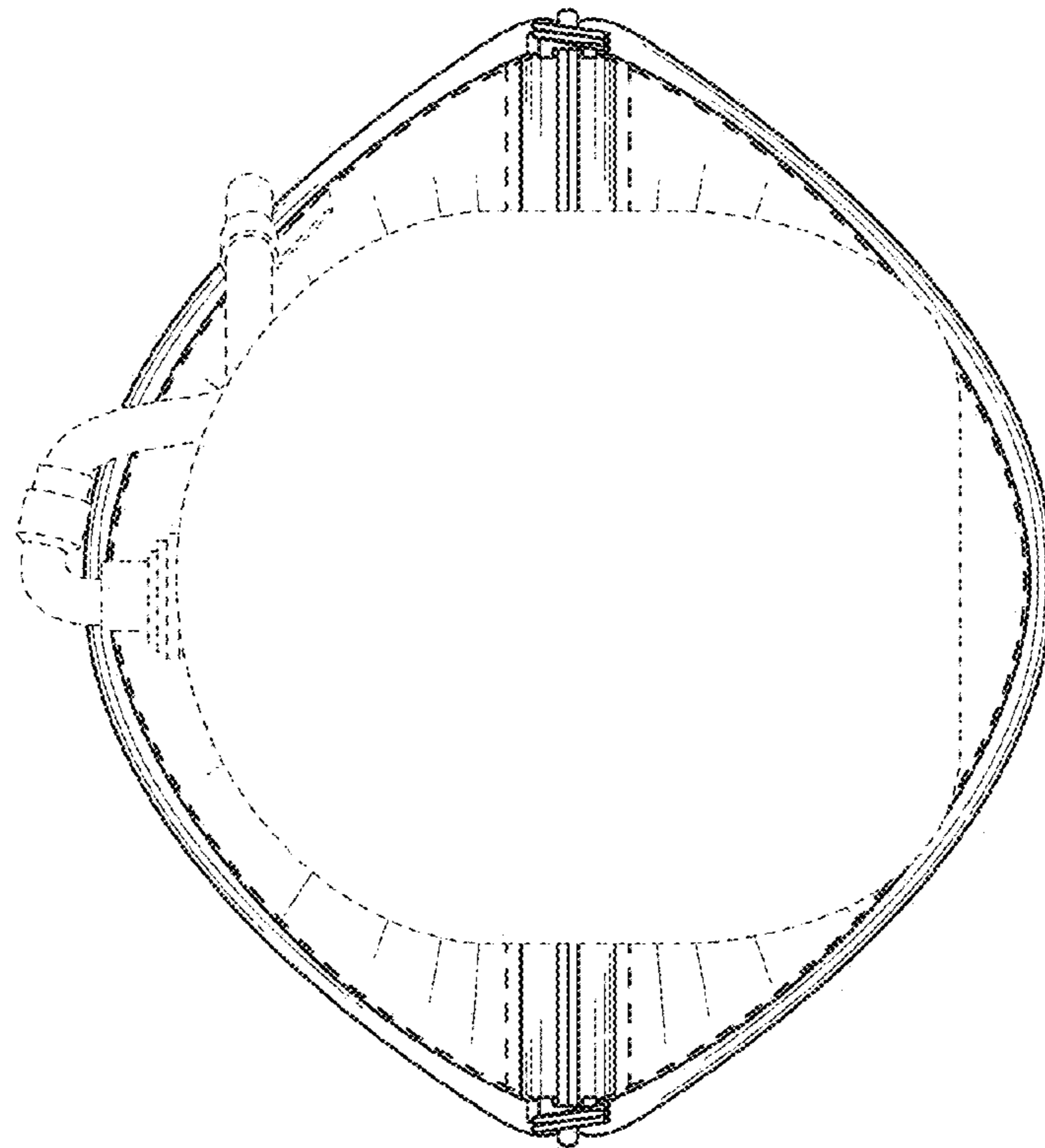


FIG. 9