



US00D743635S

(12) **United States Design Patent**  
**Yu**

(10) **Patent No.:** **US D743,635 S**  
(45) **Date of Patent:** **\*\* \*Nov. 17, 2015**

(54) **FISH TANK**

FOREIGN PATENT DOCUMENTS

(71) Applicant: **Chengdu Zhituo Aquatics Co., Ltd.**,  
Chengdu (CN)

CN 301854996 \* 3/2012  
WO WO D031325-001 \* 11/1994

(72) Inventor: **Zhiqiang Yu**, Chengdu (CN)

OTHER PUBLICATIONS

(73) Assignee: **Chengdu Zhituo Aquatics Co., Ltd.**,  
Chengdu (CN)

Oval aquarium table fish tank. Yiwu Nihan Aquarium Equipment Firm. Copyright 1999-2014. [Retrieved on Oct. 15, 2014]. Retrieved from the Internet: <URL: [http://nhsz.en.alibaba.com/productshowimg/510412340-213024999/Oval\\_aquarium\\_table\\_fish\\_tank.html](http://nhsz.en.alibaba.com/productshowimg/510412340-213024999/Oval_aquarium_table_fish_tank.html)>.\*

(\* ) Notice: This patent is subject to a terminal disclaimer.

\* cited by examiner

(\*\*) Term: **14 Years**

*Primary Examiner* — Wan Laymon

(21) Appl. No.: **29/469,003**

(74) *Attorney, Agent, or Firm* — Andrew D. Fortney; Central California IP Group, P.C.

(22) Filed: **Oct. 4, 2013**

(51) **LOC (10) Cl.** ..... **30-02**

(52) **U.S. Cl.**  
USPC ..... **D30/101**

(58) **Field of Classification Search**  
USPC ..... D30/101-107; D11/145; 446/153;  
119/226, 228, 245-247, 253, 264-265,  
119/269

See application file for complete search history.

(57) **CLAIM**

The ornamental design for a fish tank, as shown and described.

**DESCRIPTION**

FIG. 1 is a front view of a fish tank according to the present invention, used for containing fish and water and for feeding fish contained therein.

FIG. 2 is a top view of the fish tank of FIG. 1.

FIG. 3 is a perspective view of the fish tank of FIG. 1, rotated clockwise about 15° with respect to FIG. 1.

FIG. 4 is a bottom view of the fish tank of FIG. 1.

FIG. 5 is a side view of the fish tank of FIG. 1, rotated clockwise about 90° with respect to FIG. 1; and,

FIG. 6 is a side view of the fish tank of FIG. 1, rotated counterclockwise about 90° with respect to FIG. 1.

(56) **References Cited**

U.S. PATENT DOCUMENTS

|                   |         |                |       |         |
|-------------------|---------|----------------|-------|---------|
| D133,495 S *      | 8/1942  | Meyer          | ..... | D11/145 |
| D185,831 S *      | 8/1959  | Kaake          | ..... | D30/101 |
| 3,113,555 A *     | 12/1963 | Overman        | ..... | 119/269 |
| D449,716 S *      | 10/2001 | Fang           | ..... | D30/101 |
| D449,717 S *      | 10/2001 | Fang           | ..... | D30/101 |
| D450,410 S *      | 11/2001 | Fang           | ..... | D30/101 |
| 2012/0184001 A1 * | 7/2012  | Stephen et al. | ..... | 119/226 |

**1 Claim, 3 Drawing Sheets**

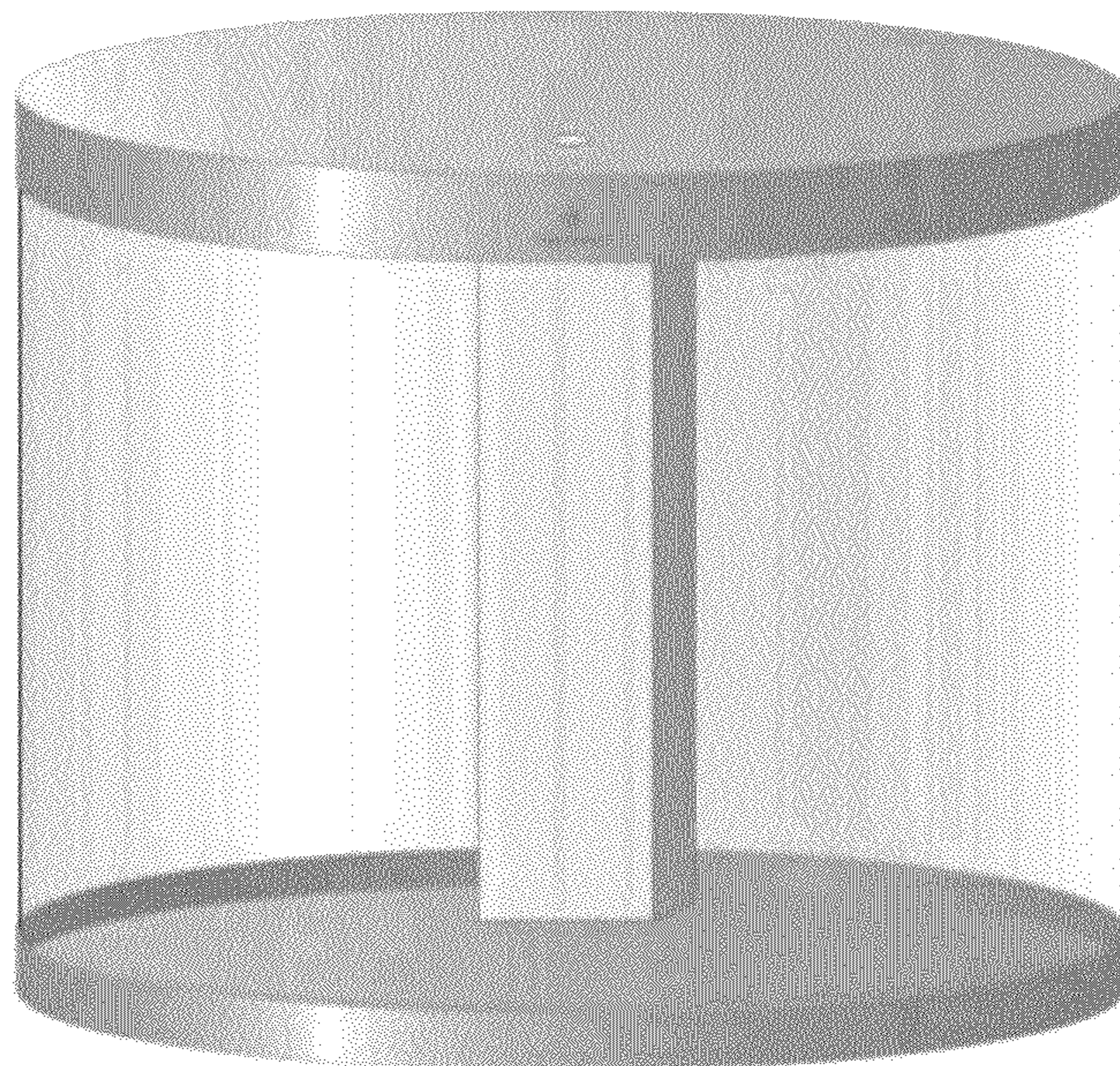




FIG. 2

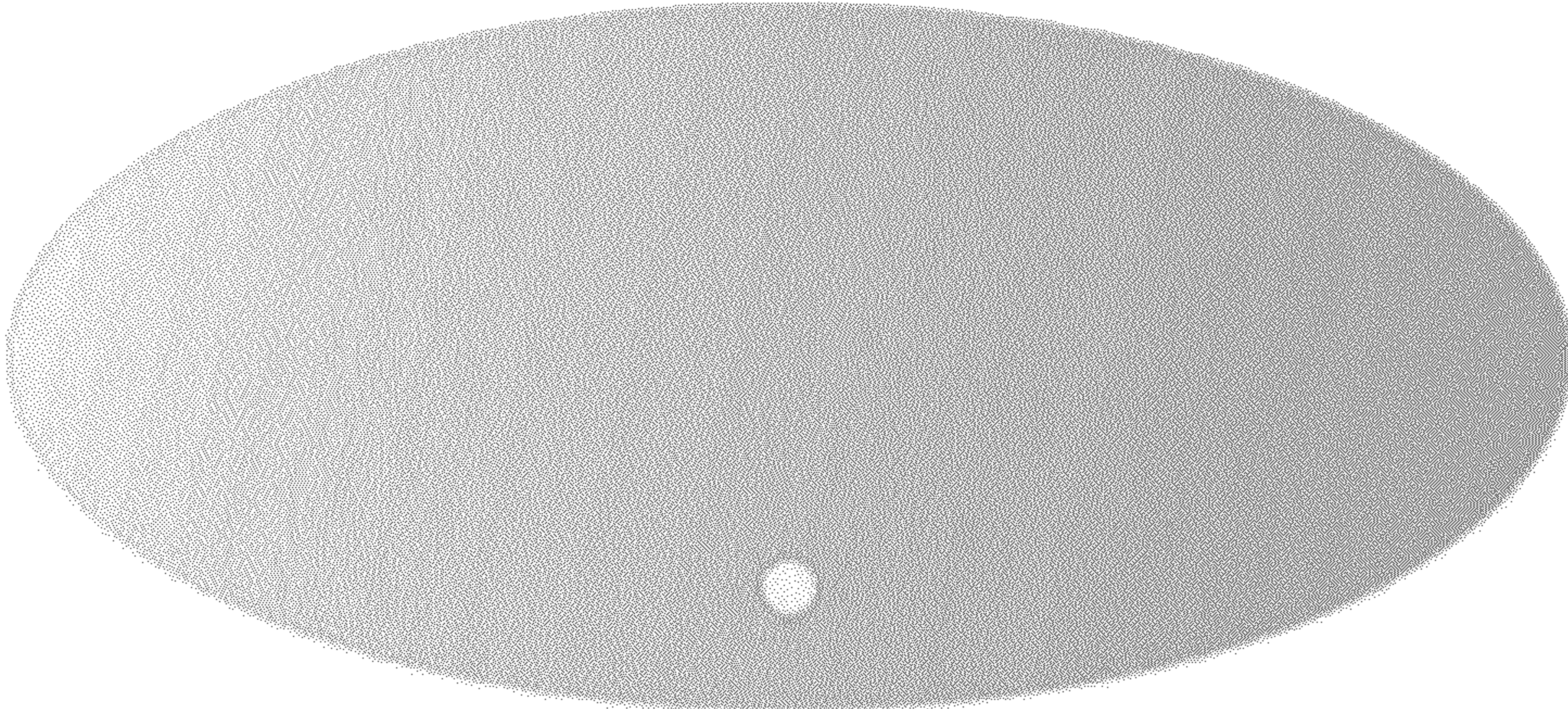


FIG. 1

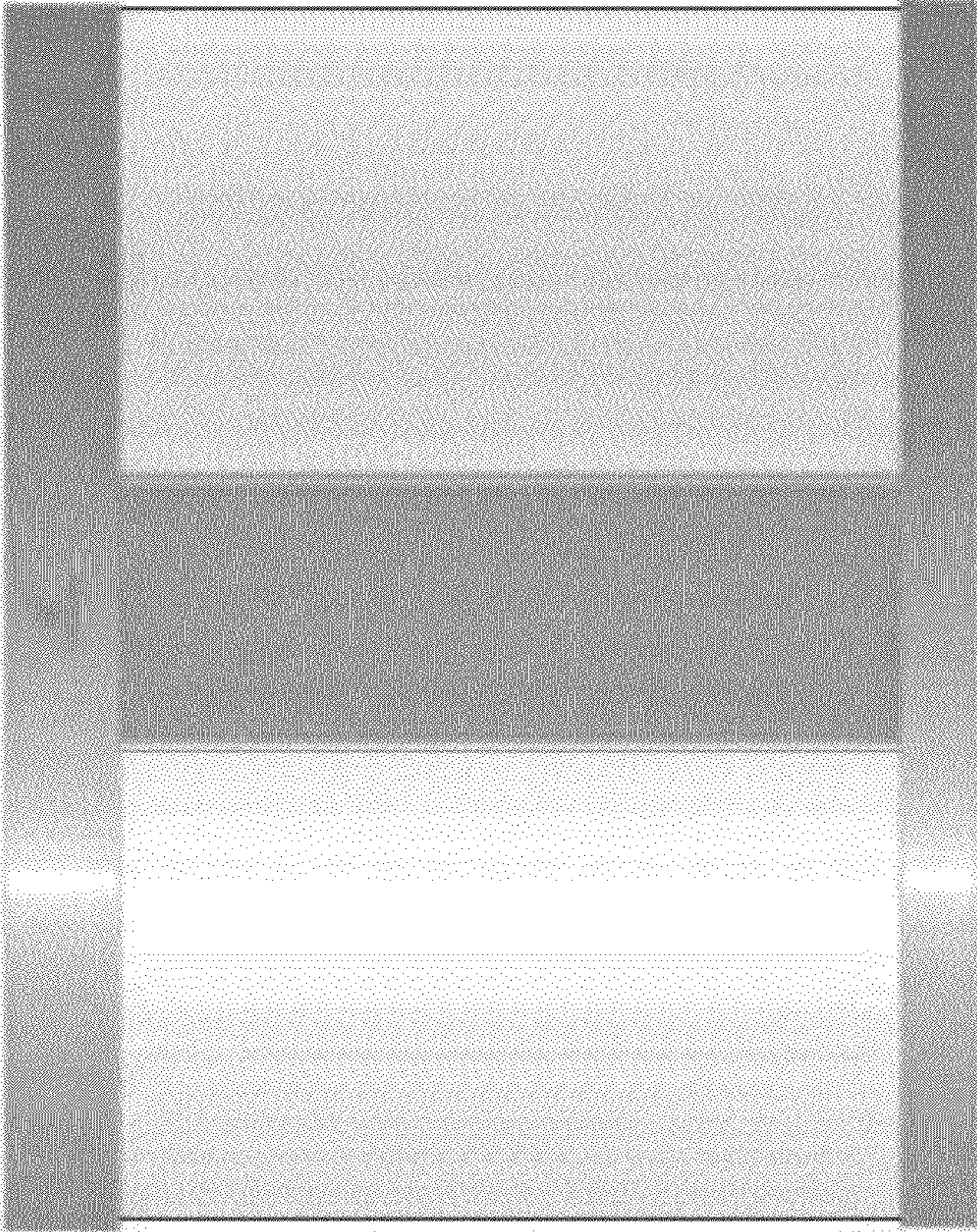




FIG. 4

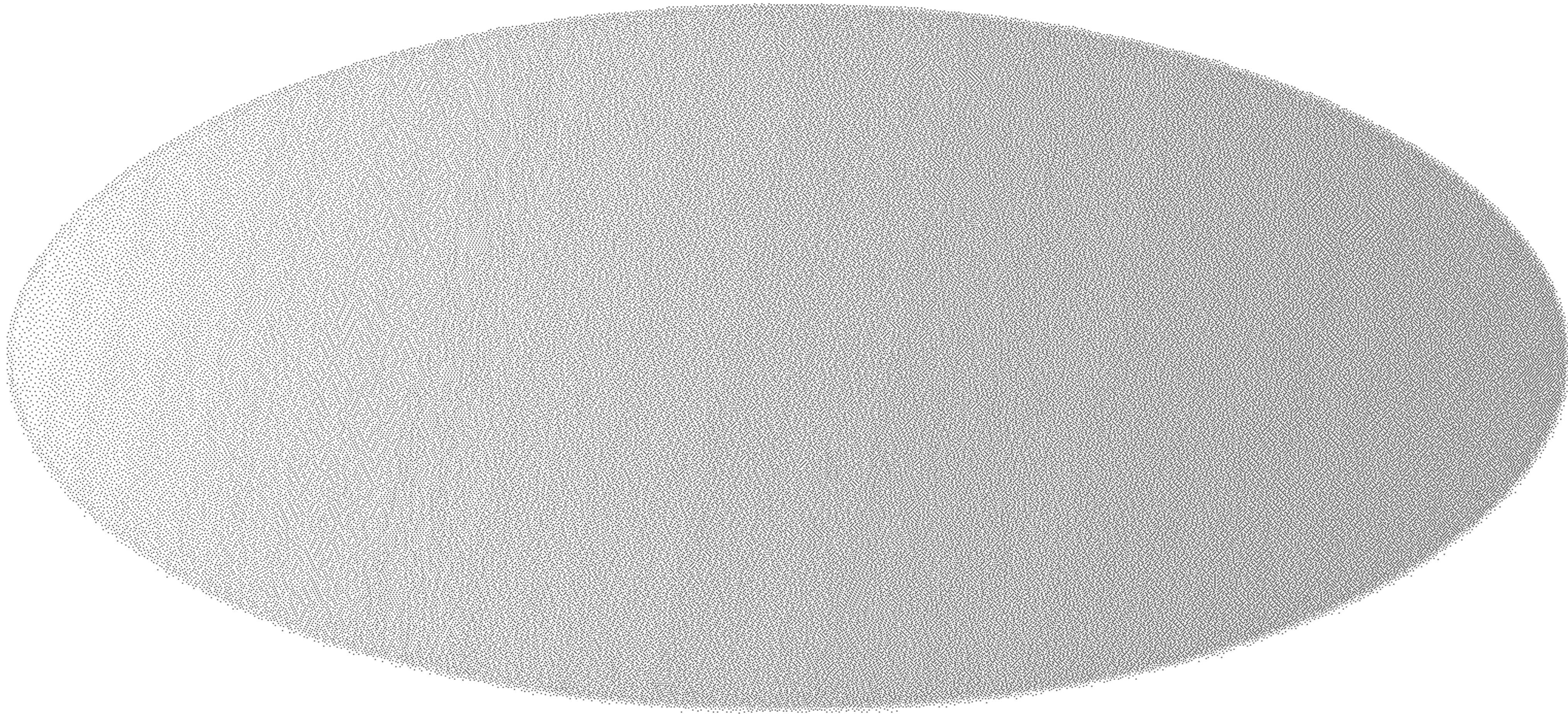


FIG. 3

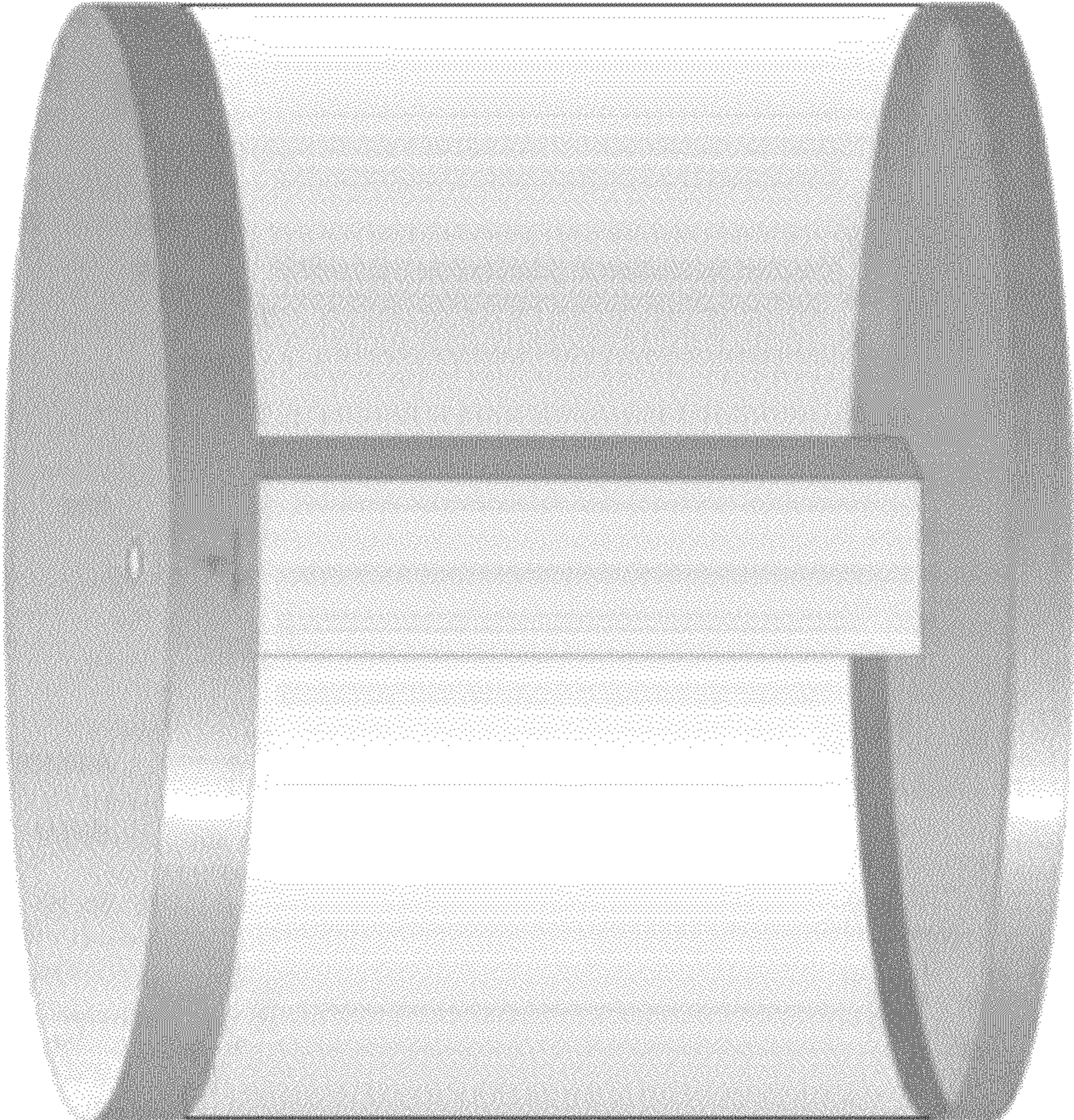




FIG. 6



FIG. 5

