



US00D743628S

(12) **United States Design Patent**
Millington

(10) **Patent No.:** **US D743,628 S**

(45) **Date of Patent:** **** Nov. 17, 2015**

(54) **HOLDER HAVING MULTIPLE STRAPS**

(71) Applicant: **Nicholas Millington**, Raleigh, NC (US)

(72) Inventor: **Nicholas Millington**, Raleigh, NC (US)

(**) Term: **14 Years**

(21) Appl. No.: **29/494,090**

(22) Filed: **Jun. 17, 2014**

(51) **LOC (10) Cl.** **09-03**

(52) **U.S. Cl.**
USPC **D29/101.1; D3/327**

(58) **Field of Classification Search**
USPC D29/100, 101.1-101.4, 122, 124;
D2/626, 628, 629; D3/215, 218, 219,
D3/221, 226, 322, 327; D24/190; 359/362,
359/519; 182/3, 4, 5, 6, 9, 133; 2/300, 310,
2/311; D10/111; 224/259, 576, 603, 606,
224/623, 627, 647; D21/683; D30/152;
119/770; 297/485
CPC A45F 5/00
See application file for complete search history.

(56) **References Cited**

U.S. PATENT DOCUMENTS

3,923,222	A *	12/1975	Groves	294/157
4,331,271	A *	5/1982	Anderson	224/150
D299,792	S *	2/1989	Winter	D3/327
5,092,505	A *	3/1992	Olschlager	224/150
5,165,584	A *	11/1992	Meagher et al.	224/258
D342,348	S *	12/1993	Panarelli	D29/101.1
D363,366	S *	10/1995	Harding et al.	D29/101.1
D374,506	S *	10/1996	O'Neil	D29/101.1
D377,467	S *	1/1997	Weimer	D29/101.1
5,642,842	A *	7/1997	Taras	224/250
D396,347	S *	7/1998	Jenkins et al.	D3/327

D406,942	S *	3/1999	Santoro	D3/216
D428,696	S *	8/2000	Fier	D3/217
D430,970	S *	9/2000	Hoehn et al.	D3/215
6,182,875	B1 *	2/2001	Fareghi	224/259
D455,009	S *	4/2002	Thayer	D3/327
6,786,375	B2 *	9/2004	Worden et al.	224/627
D668,393	S *	10/2012	Hogbin	D29/101.1
8,336,503	B2 *	12/2012	Spinelli	119/770

* cited by examiner

Primary Examiner — Randall Gholson

(74) *Attorney, Agent, or Firm* — Bentley Olive

(57) **CLAIM**

I claim the ornamental design for a holder having multiple straps, as shown and described.

DESCRIPTION

This application is related to a commonly-owned U.S. utility patent application titled Holders Having Multiple, Adjustable Straps, which is being filed simultaneously herewith.

FIG. 1 is a front view of a holder having multiple straps in a disconnected state;

FIG. 2 is a rear view of the holder shown in FIG. 1;

FIG. 3 is a rear view of the holder shown in FIG. 1 while holding a pair of shoes;

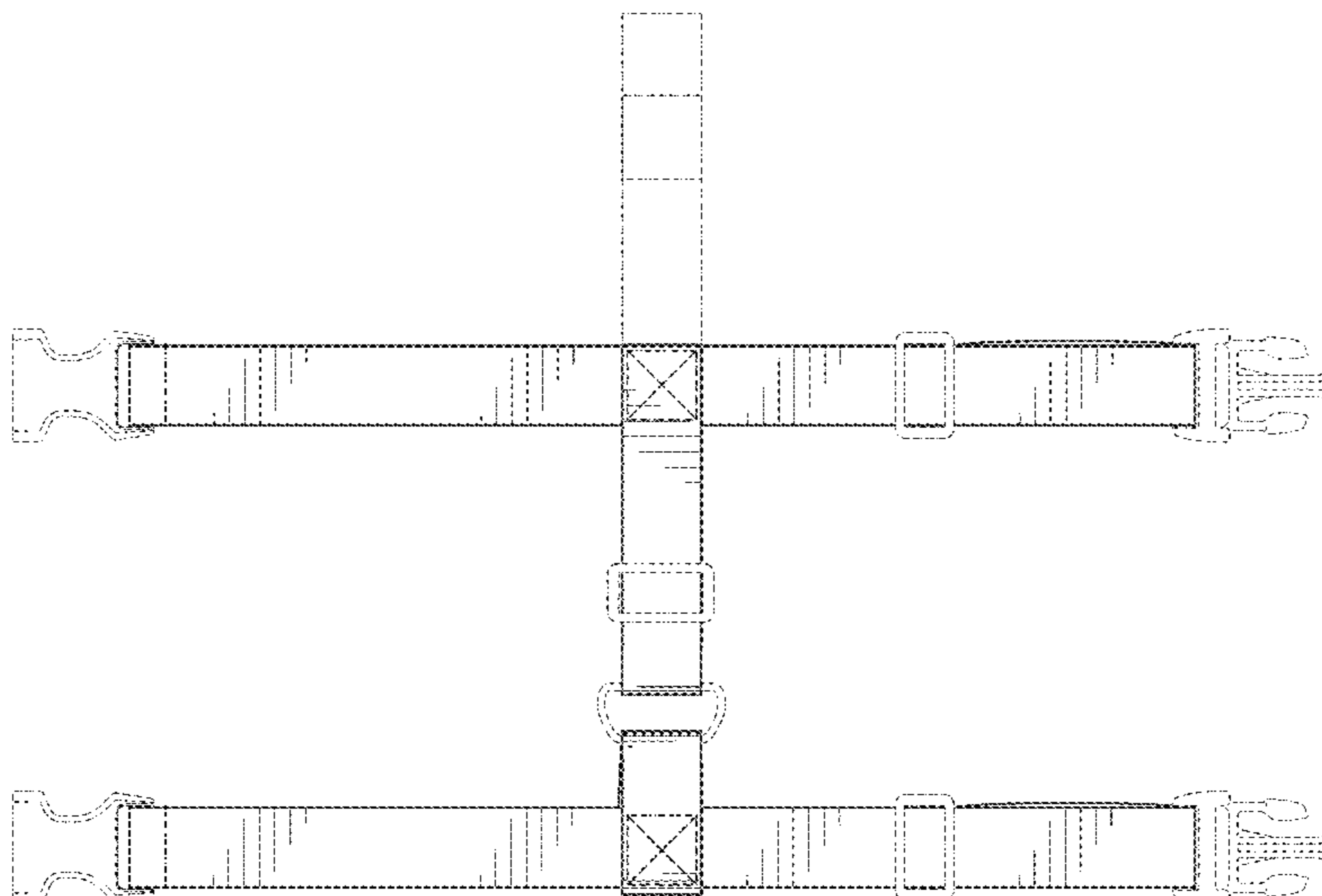
FIG. 4 is a front side view of the holder shown in FIG. 1 while holding a pair of shoes;

FIG. 5 is a perspective view of the holder shown in FIG. 1 while holding a pair of shoes; and,

FIG. 6 is another perspective view of the holder shown in FIG. 1 while holding a pair of shoes.

The broken lines depict portions of the holder having multiple straps that form no part of the claimed design. The shoes shown in broken lines illustrate the environment of the claimed design and likewise form no part of the claimed design.

1 Claim, 6 Drawing Sheets



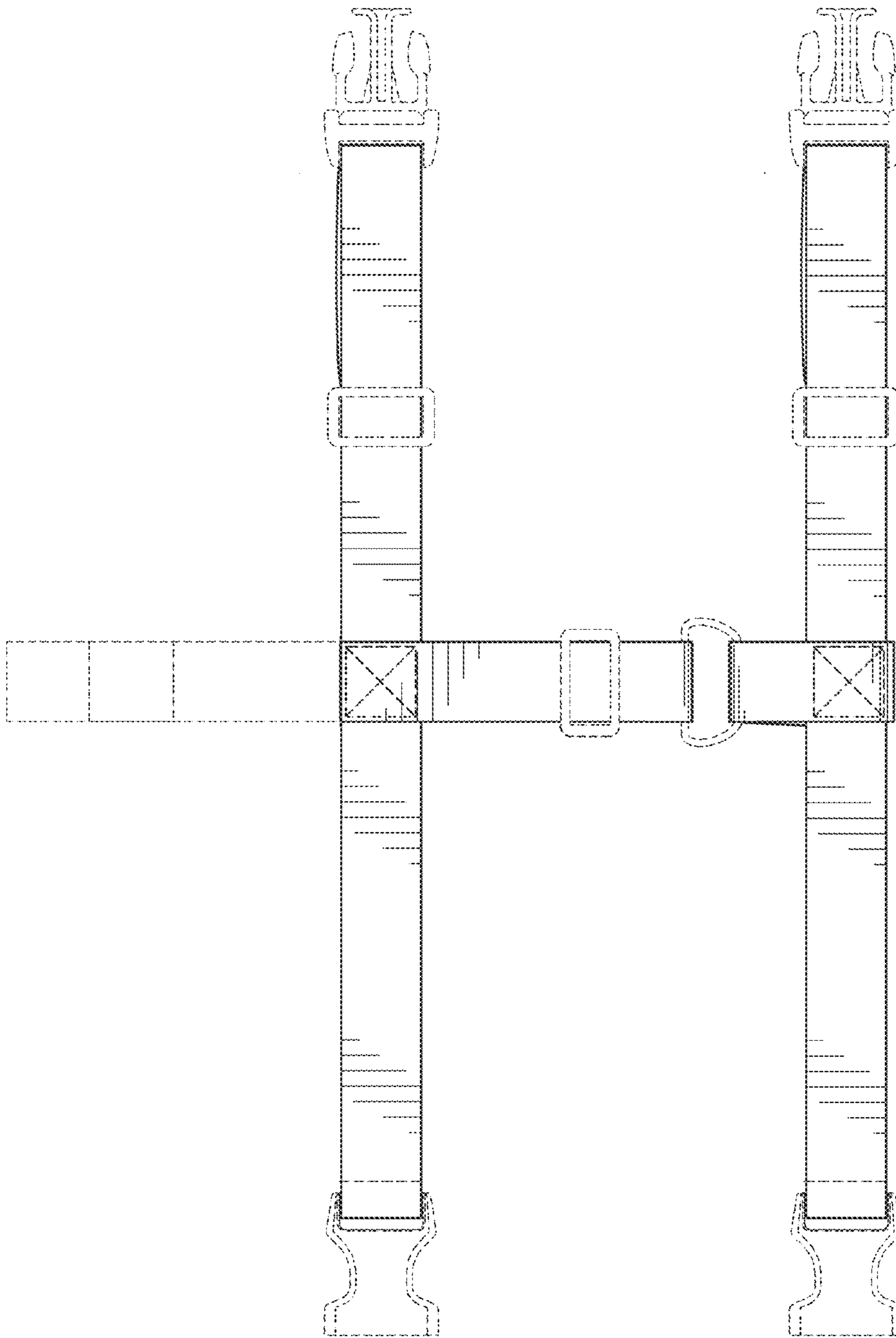


FIG. 1

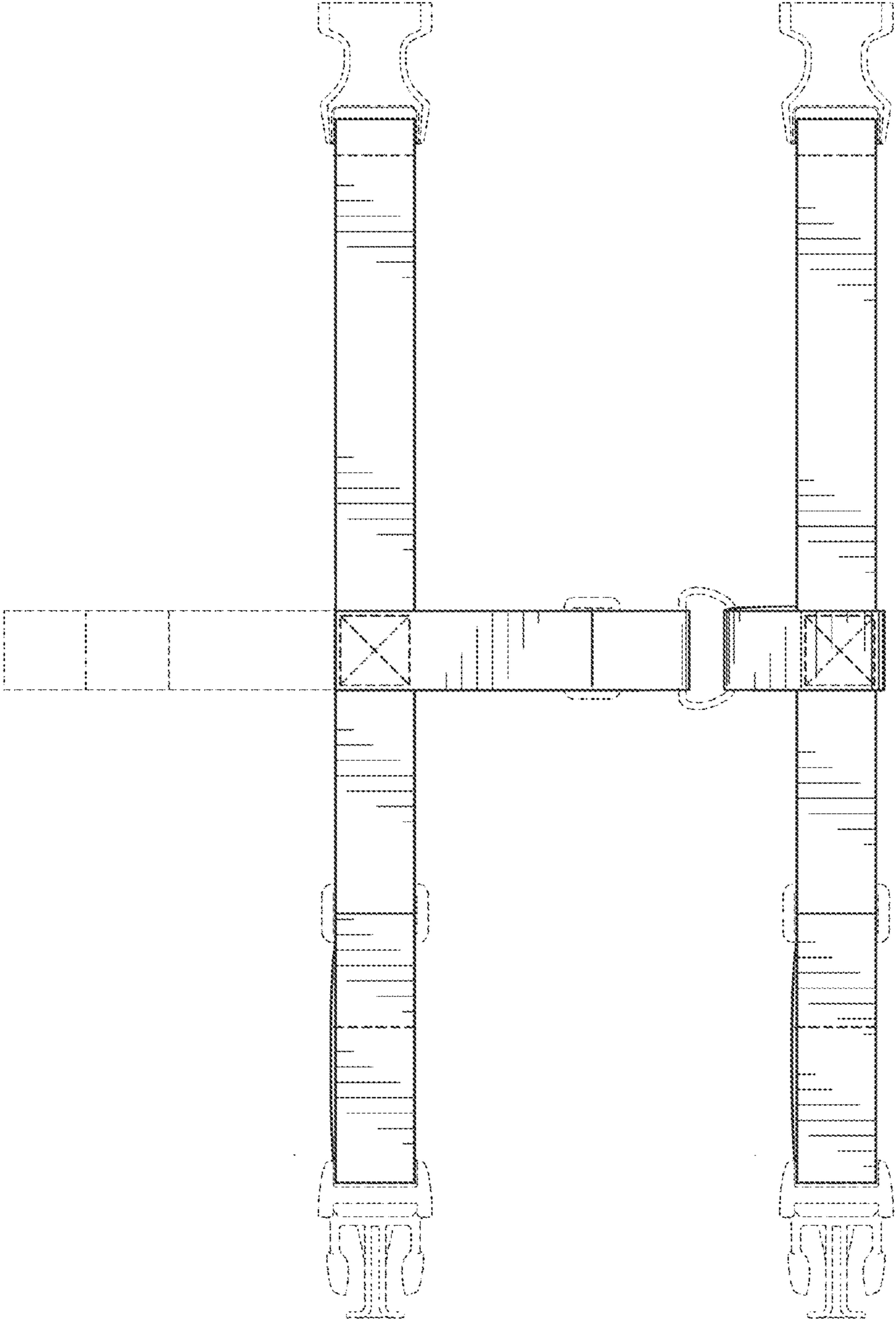


FIG. 2

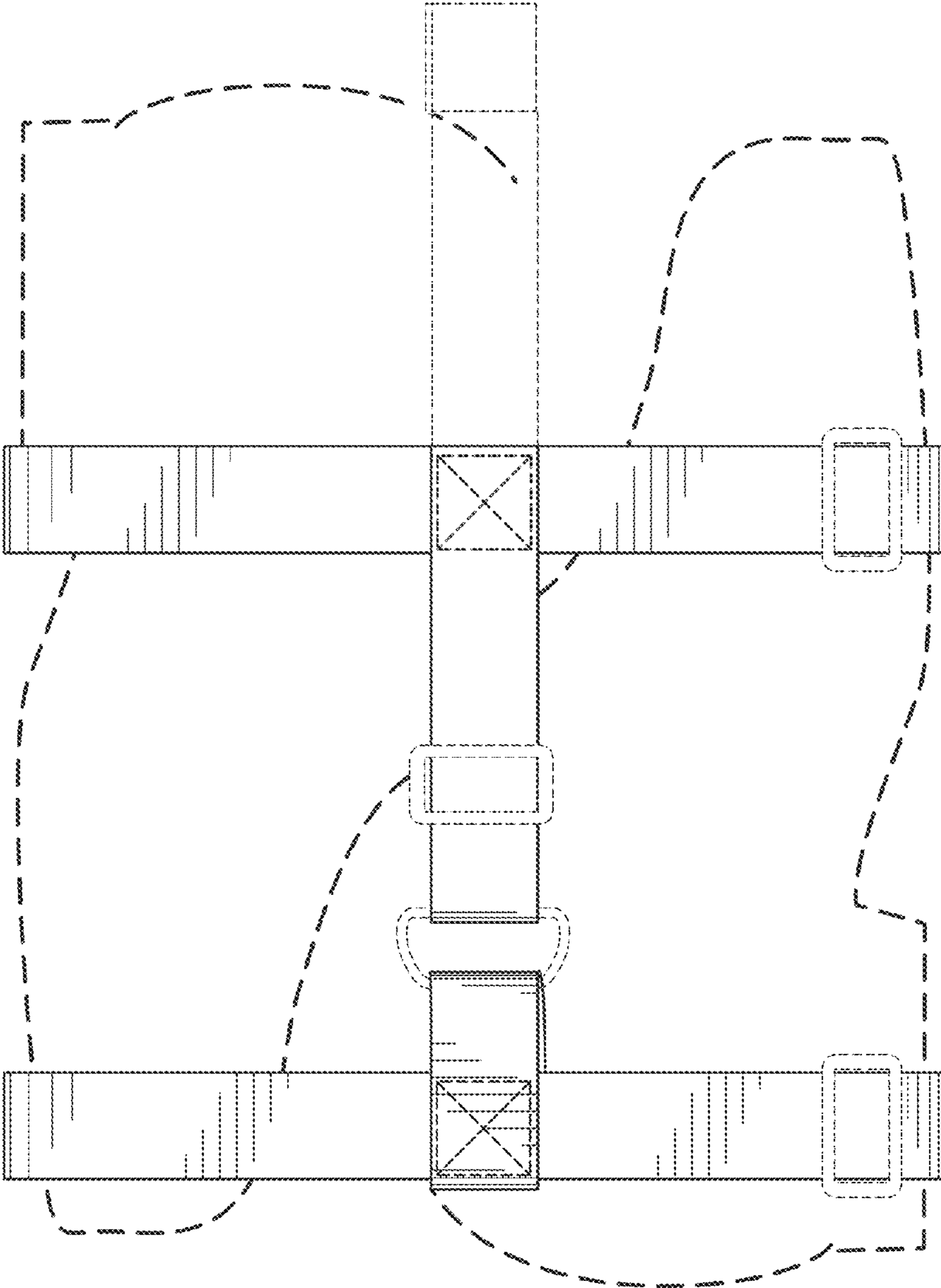


FIG. 3

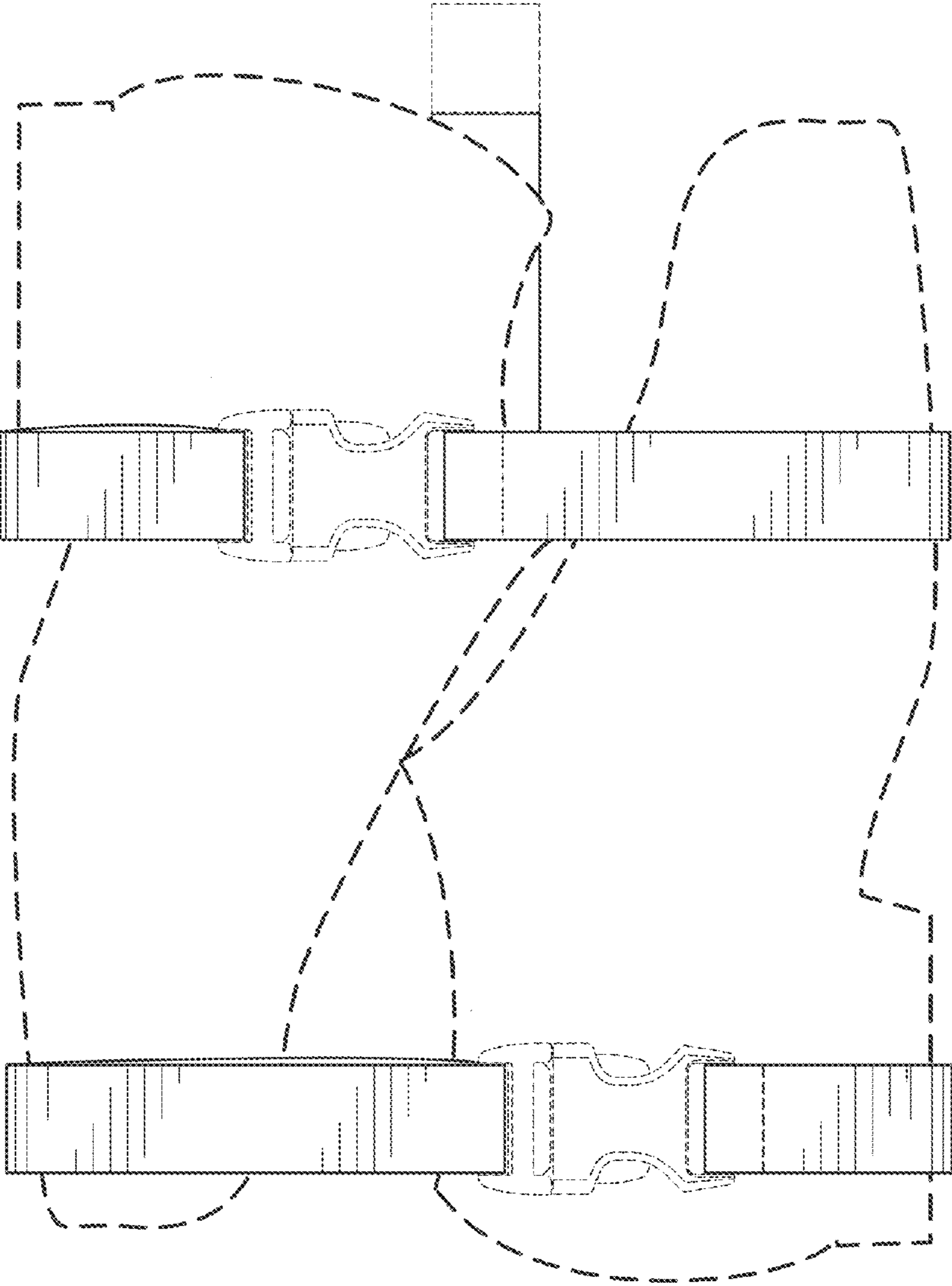


FIG. 4

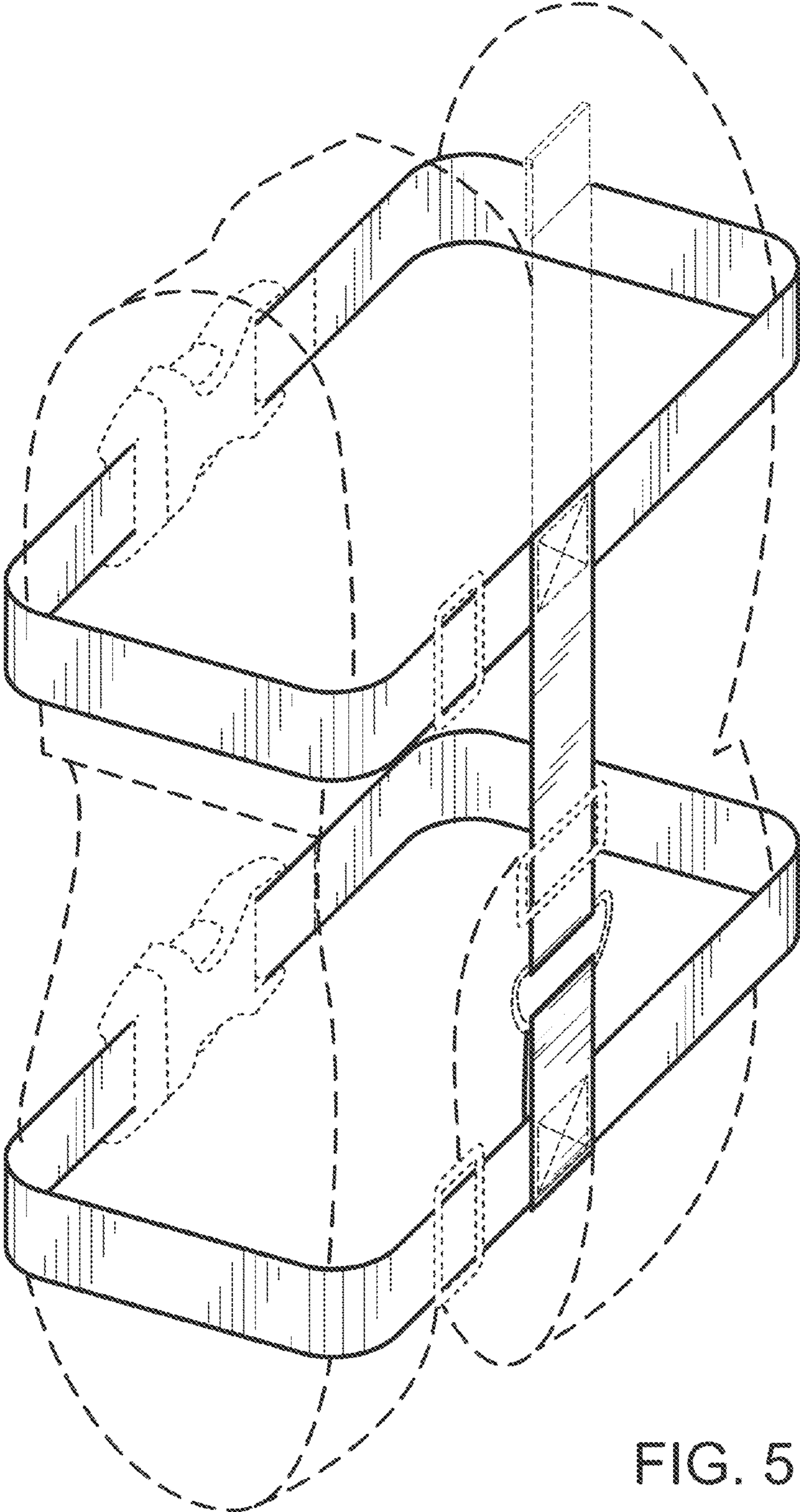


FIG. 5

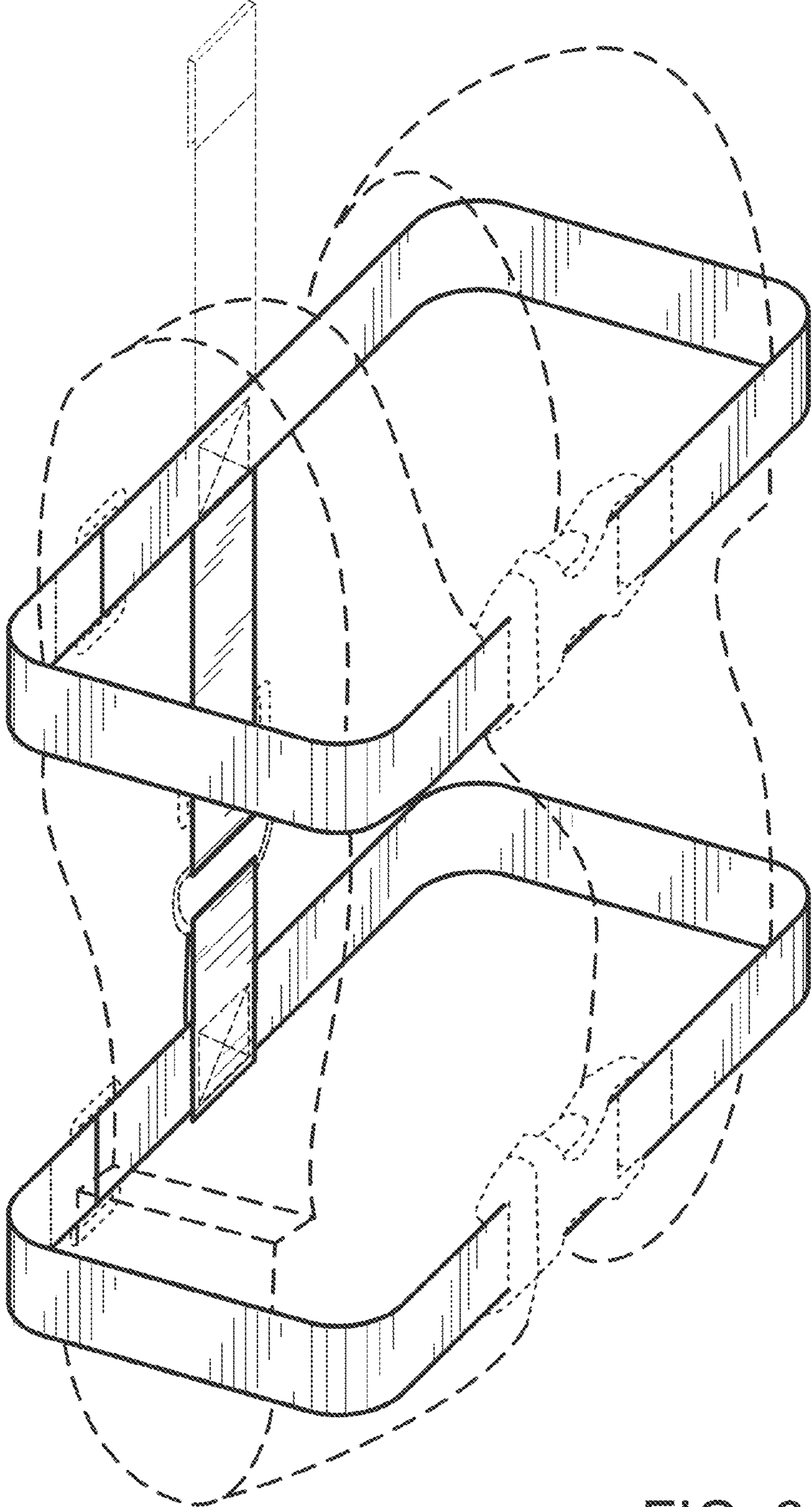


FIG. 6