



US00D743627S

(12) **United States Design Patent**
Rouse

(10) **Patent No.:** **US D743,627 S**

(45) **Date of Patent:** **** Nov. 17, 2015**

(54) **HARNESS WITH REMOVABLE POUCH**

D605,855 S * 12/2009 Boehnlein D3/303
D627,072 S * 11/2010 Kosh D24/190
8,516,621 B2 * 8/2013 Woolery 2/310

(71) Applicant: **Randy Rouse**, Omaha, NE (US)

* cited by examiner

(72) Inventor: **Randy Rouse**, Omaha, NE (US)

Primary Examiner — Randall Gholson

(**) Term: **14 Years**

(74) *Attorney, Agent, or Firm* — Tyson B. Benson; Advent, LLP

(21) Appl. No.: **29/480,849**

(57) **CLAIM**

(22) Filed: **Jan. 30, 2014**

The ornamental design for a harness with removable pouch, as shown and described.

(51) **LOC (10) Cl.** **29-02**

DESCRIPTION

(52) **U.S. Cl.**

USPC **D29/101.1**

(58) **Field of Classification Search**

USPC D29/100, 101.1–101.2, 122; D2/626, D2/628, 629; D3/215, 218, 219, 221, 226; D24/190; 359/362, 519; 182/3; 2/300, 2/310; D10/111; 224/259, 576, 603, 606, 224/623, 627, 647

CPC A45F 5/00; A45F 2005/006; A45F 3/00; A45F 3/14

See application file for complete search history.

FIG. 1 is an exploded isometric view of a harness with removable pouch.

FIG. 2 is an isometric view of the harness with removable pouch of FIG. 1.

FIG. 3 is an exploded bottom view of the harness with removable pouch of FIG. 1.

FIG. 4 is an exploded top view of the harness with removable pouch of FIG. 1.

FIG. 5 is an exploded first side elevation view of the harness with removable pouch of FIG. 1.

FIG. 6 is an exploded second side elevation view of the harness with removable pouch of FIG. 1.

FIG. 7 is an exploded front elevation view of the harness with removable pouch of FIG. 1.

FIG. 8 is an exploded rear elevation view of the harness with removable pouch of FIG. 1; and,

FIG. 9 is an exploded front elevation view of a harness with removable pouch of FIG. 1.

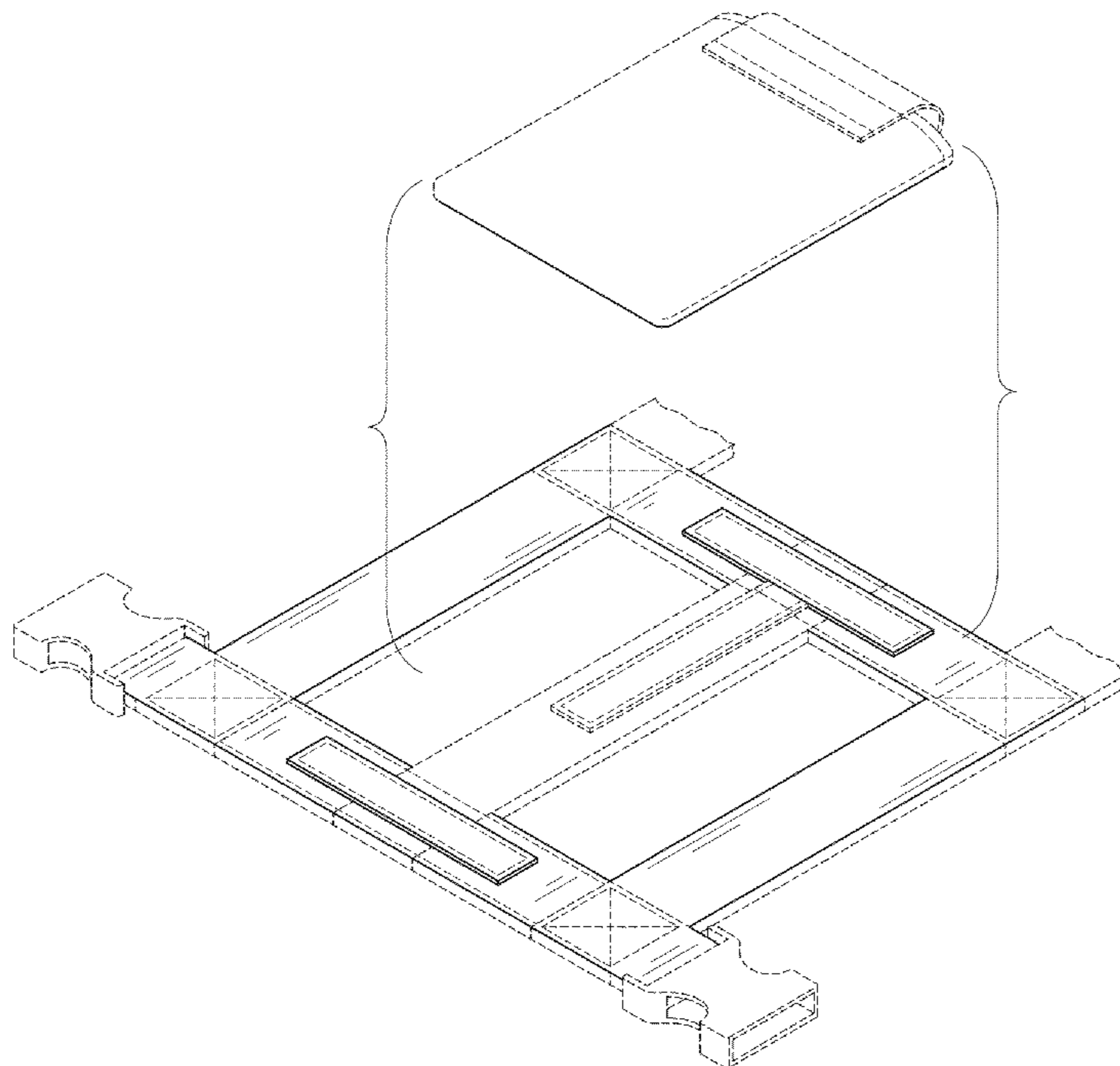
The broken lines depict portions of the harness with removable pouch that form no part of the claimed design.

(56) **References Cited**

U.S. PATENT DOCUMENTS

D178,990 S * 10/1956 Erikson D21/805
6,675,391 B2 * 1/2004 Morrison 2/102
D499,882 S * 12/2004 Baclawski D3/216
D509,057 S * 9/2005 Bollig D3/226
D555,289 S * 11/2007 Escarcega D29/101.4
D597,708 S * 8/2009 Basenberg et al. D29/101.4

1 Claim, 9 Drawing Sheets



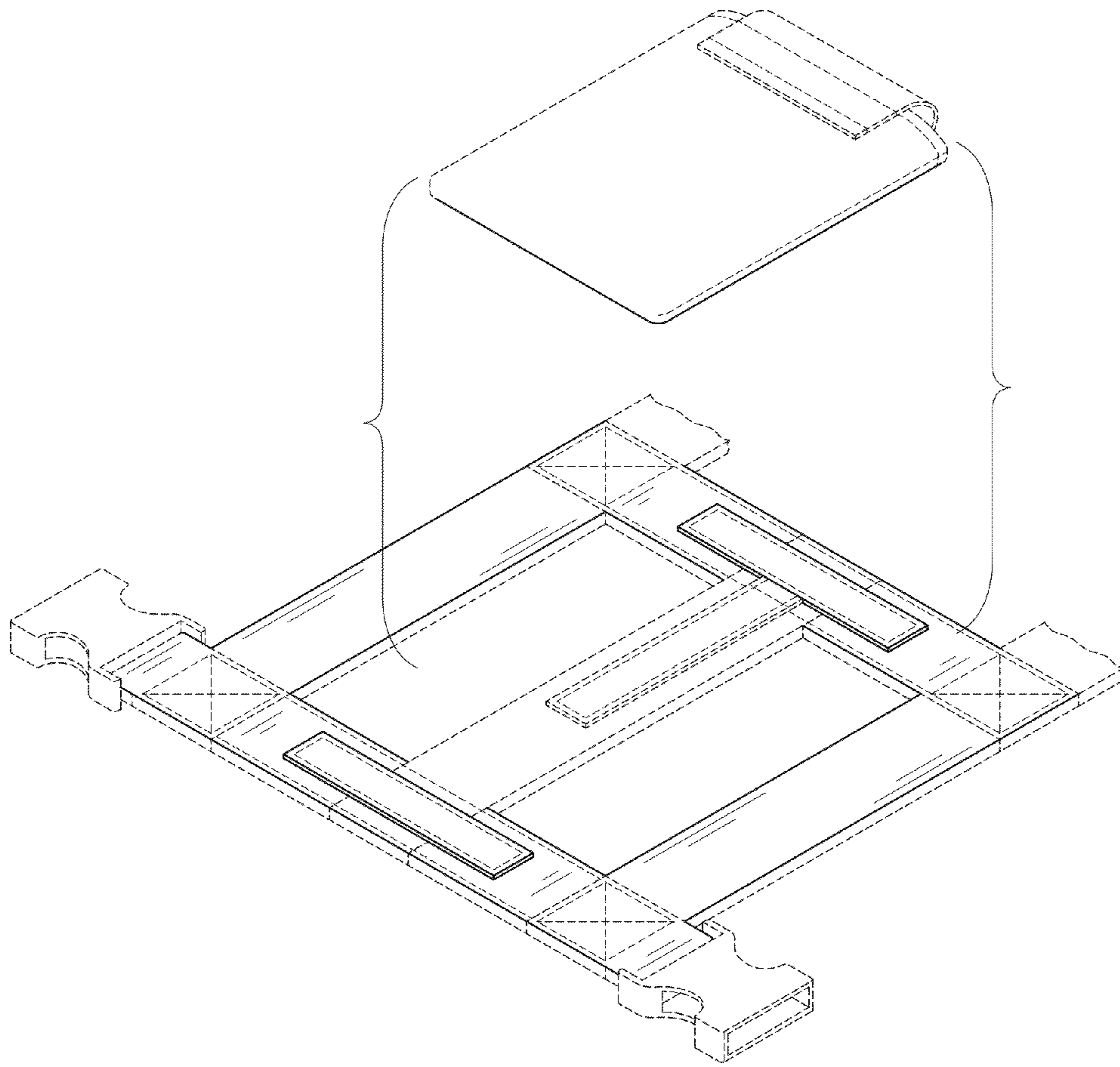


FIG. 1

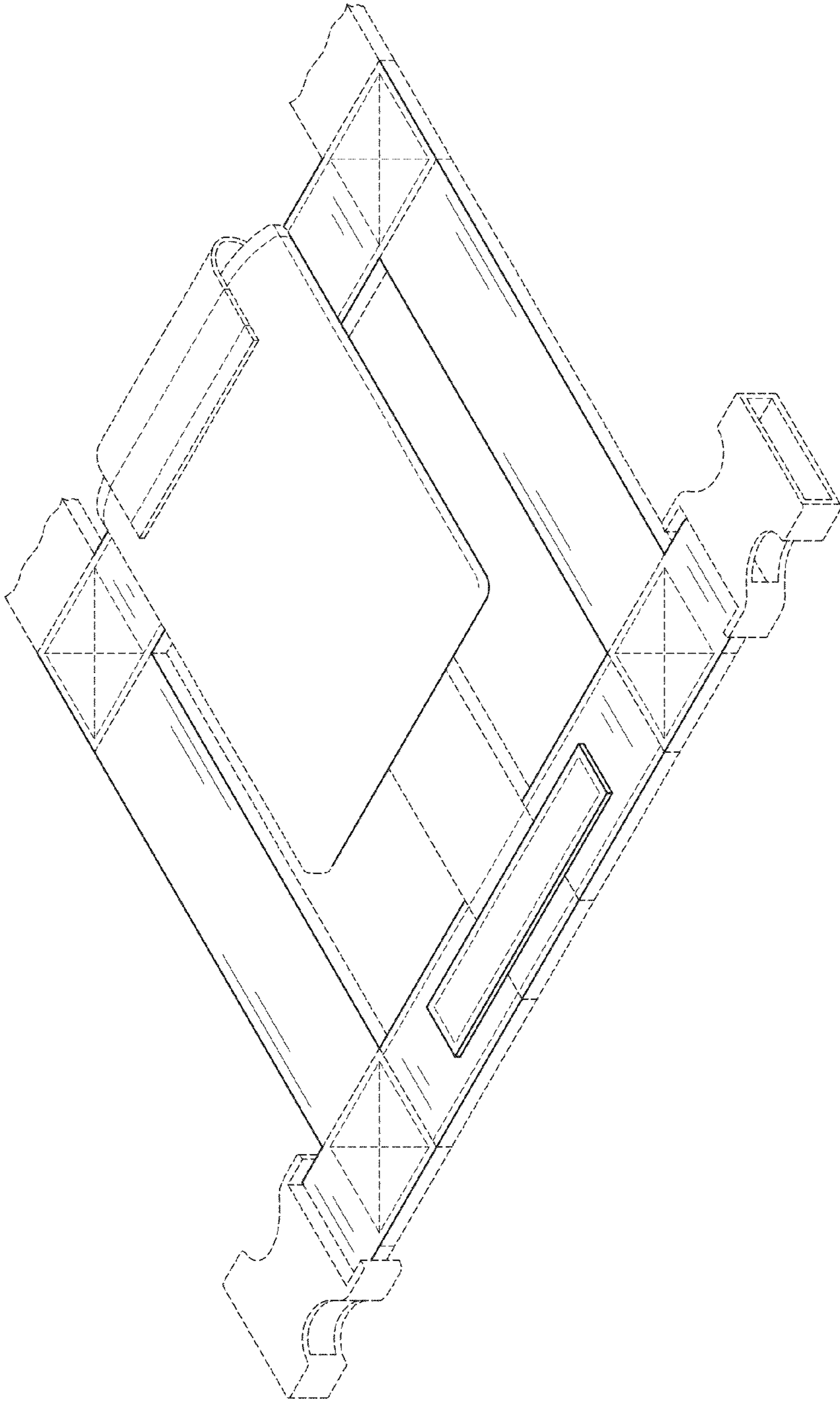


FIG. 2

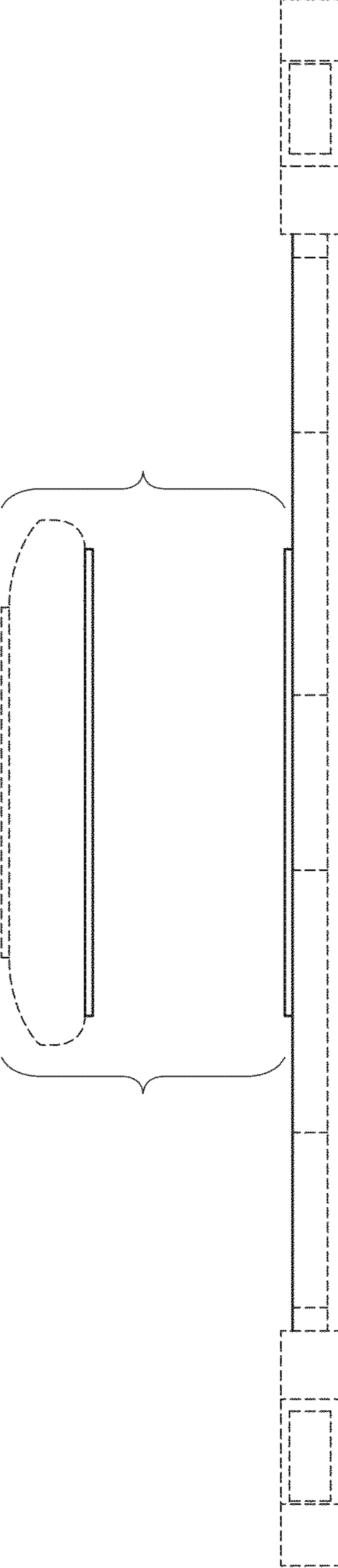


FIG. 3

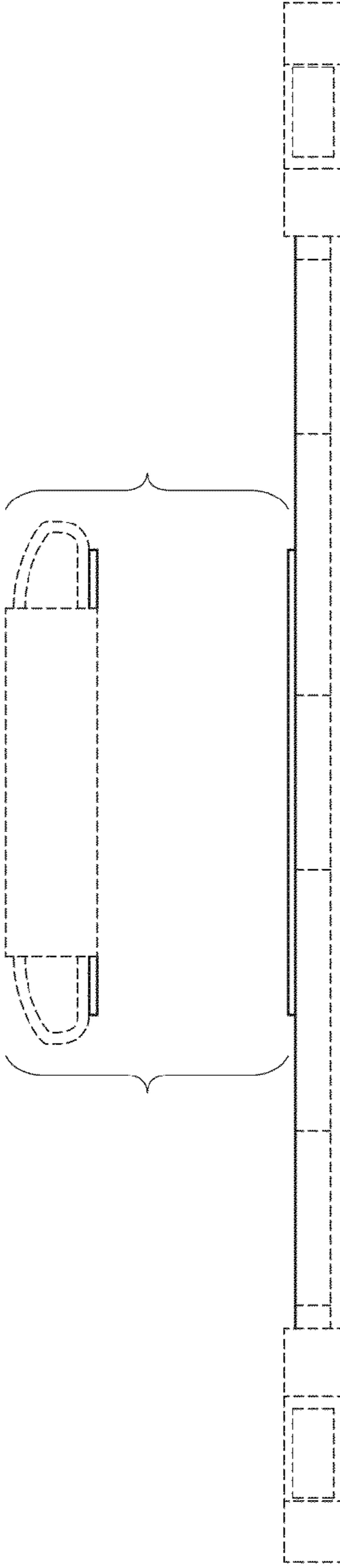


FIG. 4

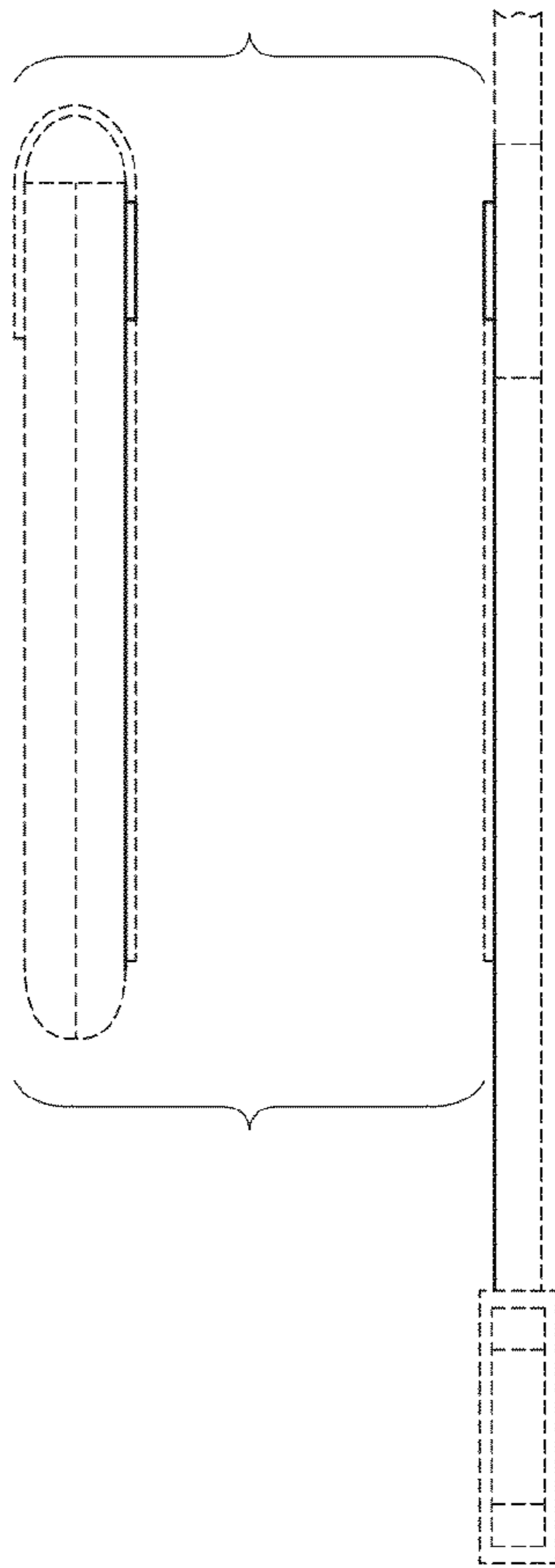


FIG. 5

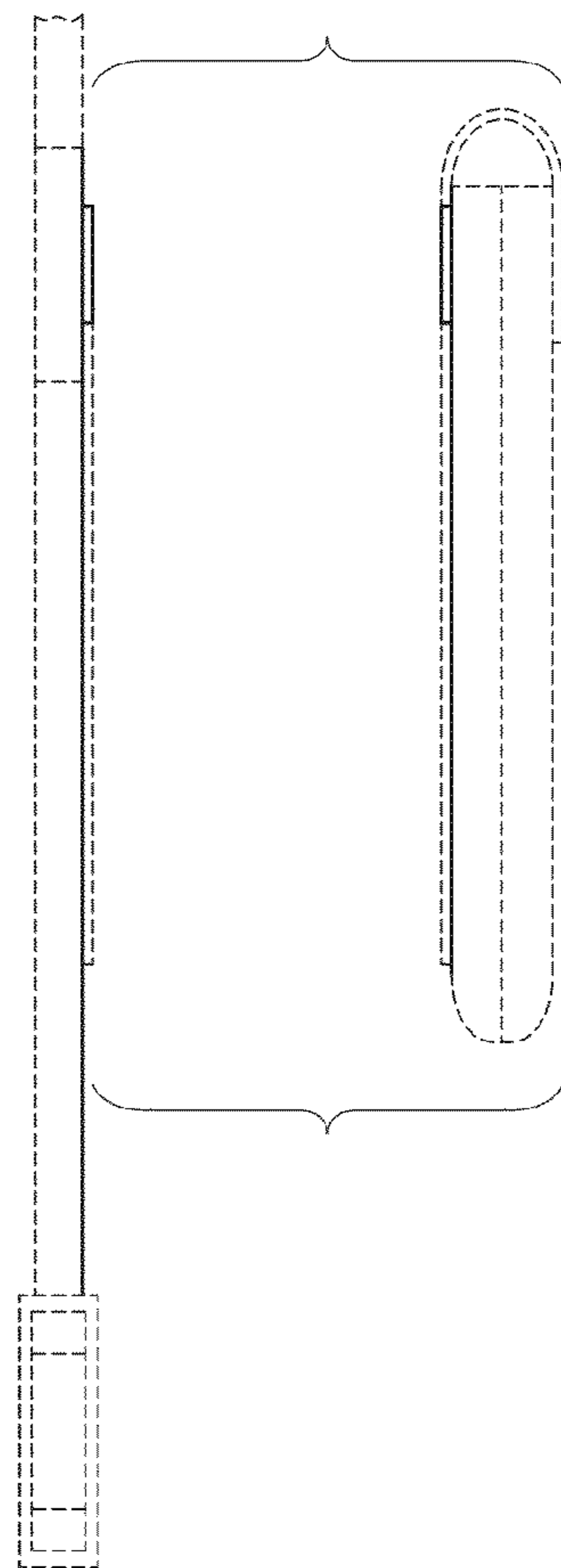


FIG. 6

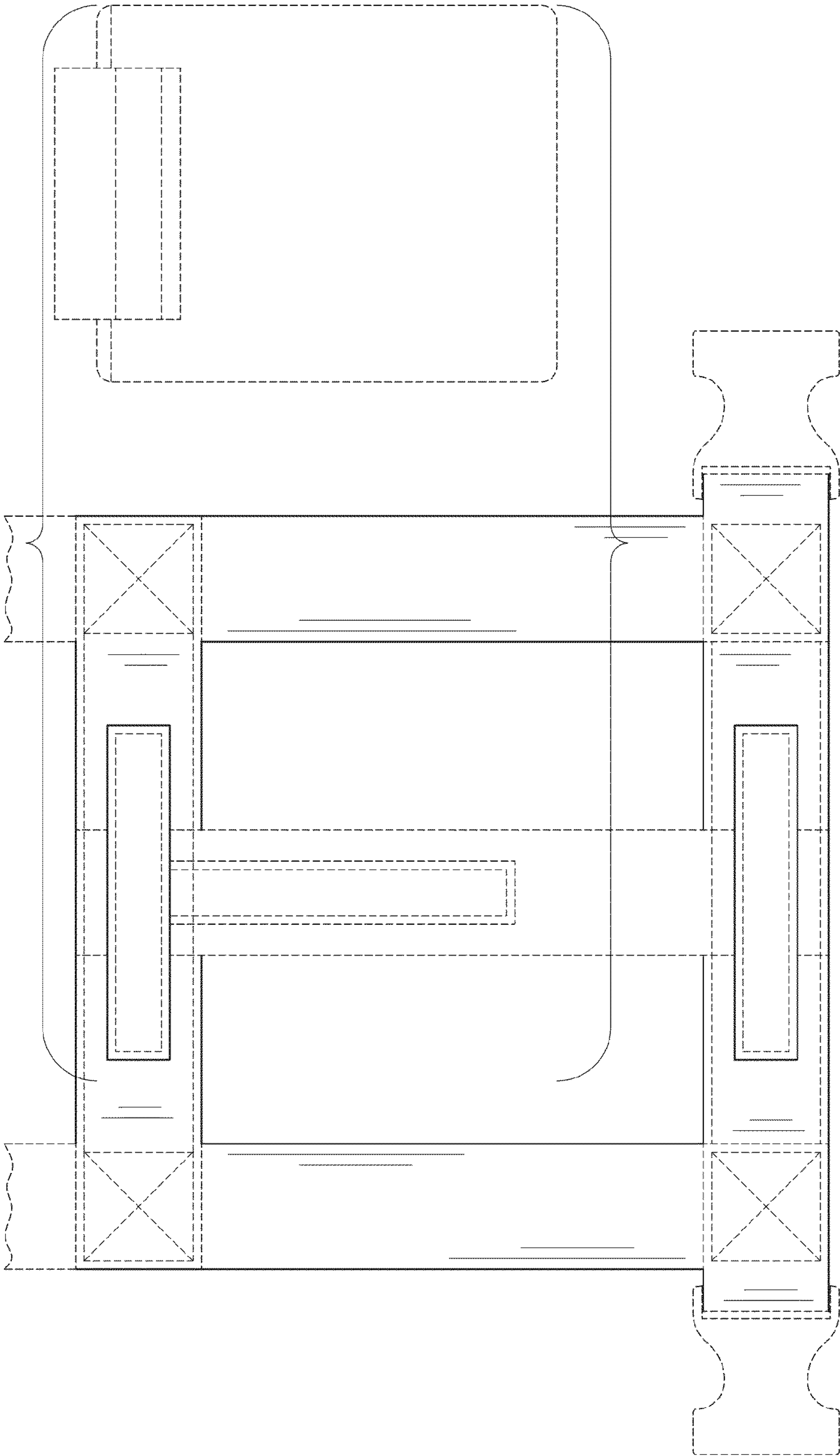


FIG. 7

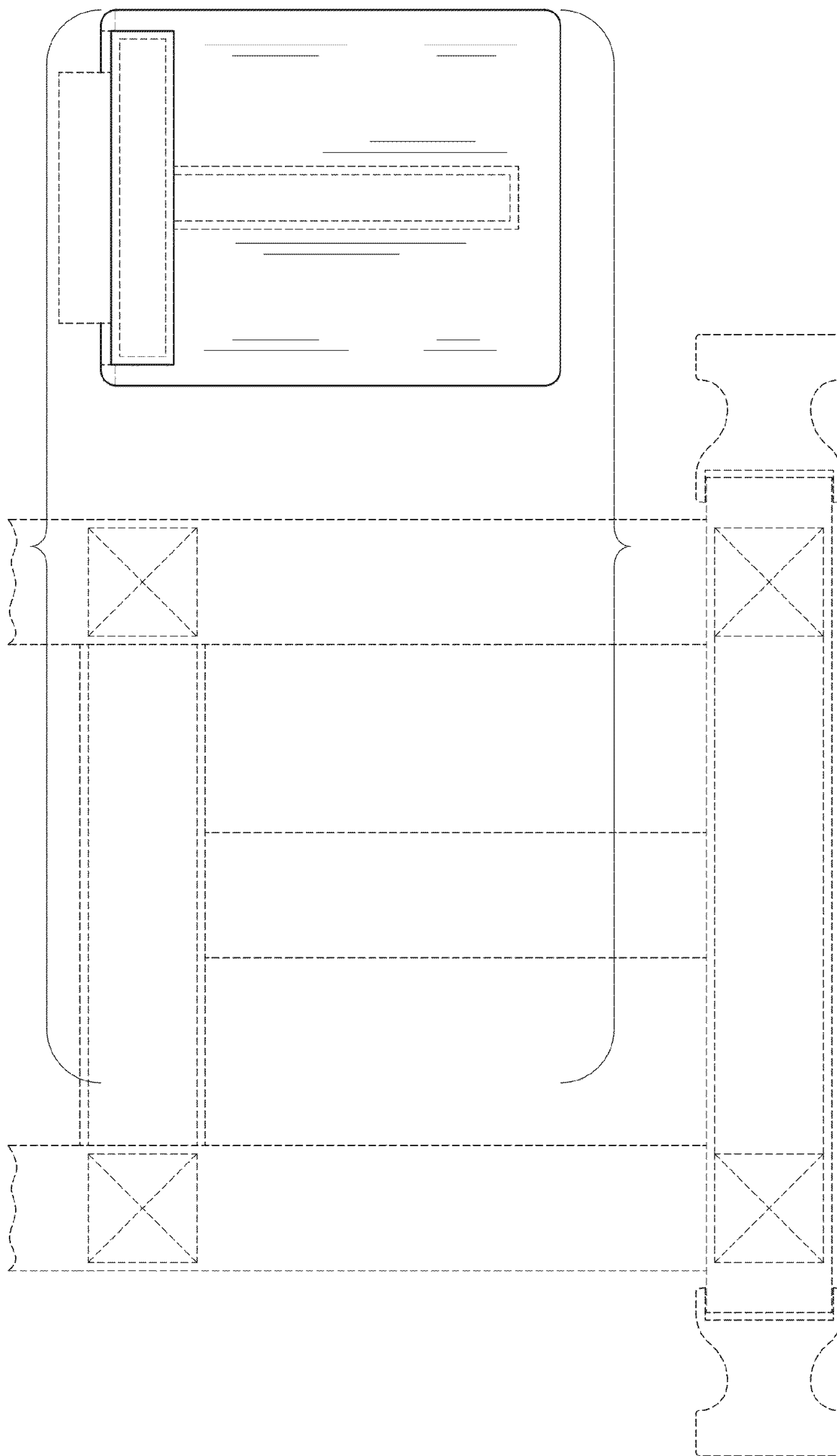


FIG. 8

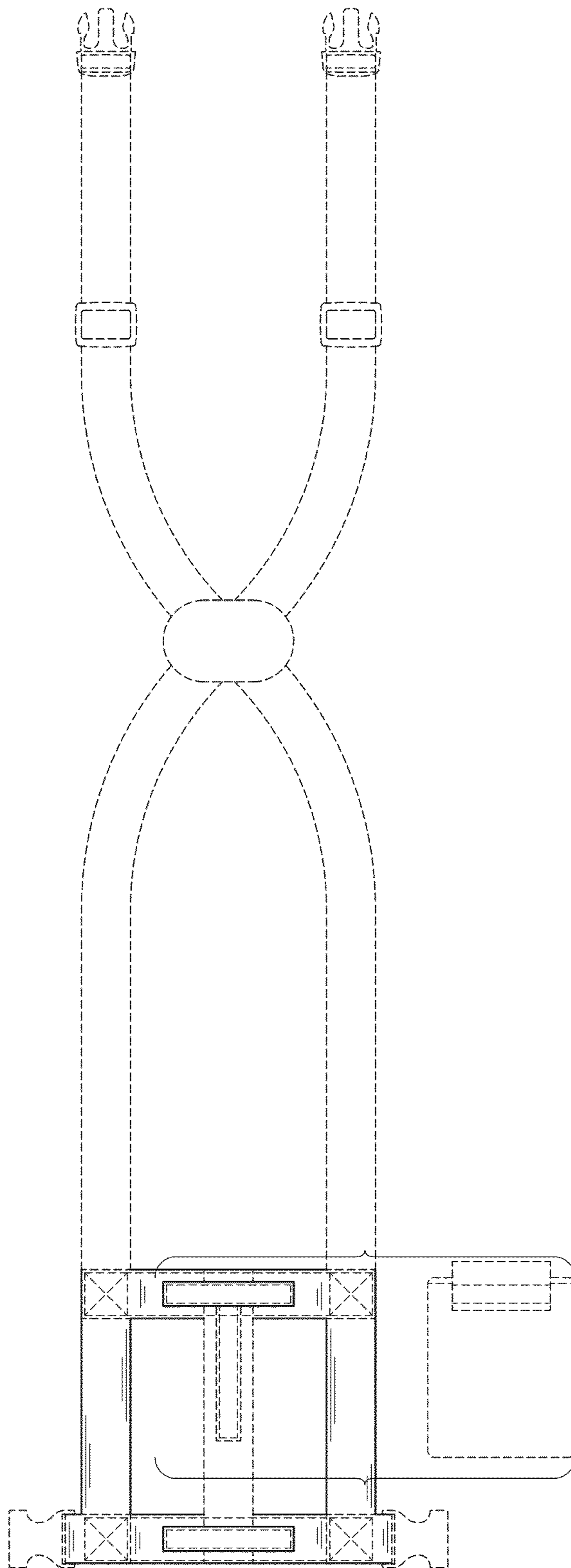


FIG. 9