

US00D743626S

(12) **United States Design Patent**
Guadagno

(10) **Patent No.:** **US D743,626 S**

(45) **Date of Patent:** **** Nov. 17, 2015**

(54) **SHAVING RAZOR**

2014/0096395 A1* 4/2014 Griner 30/40

* cited by examiner

(71) Applicant: **George L. Guadagno**, Boca Raton, FL
(US)

Primary Examiner — Jennifer Rivard

(72) Inventor: **George L. Guadagno**, Boca Raton, FL
(US)

(74) *Attorney, Agent, or Firm* — Bennett Intellectual
Property; Allen F. Bennett

(**) Term: **14 Years**

(57) **CLAIM**

The ornamental design for a shaving razor, as shown and
described.

(21) Appl. No.: **29/465,520**

DESCRIPTION

(22) Filed: **Aug. 28, 2013**

(51) **LOC (10) Cl.** **28-03**

(52) **U.S. Cl.**
USPC **D28/45**

(58) **Field of Classification Search**
USPC D28/44–48; 30/40
CPC B26B 21/00–21/12; B26B 21/14;
B26B 21/16; B26B 21/18; B26B
21/20–21/227; B26B 21/4062; B26B 21/4068;
B26B 21/4075; B26B 21/52–21/528
See application file for complete search history.

FIG. 1 is a top view of a shaving razor in a closed position;
FIG. 2 is a front view of the shaving razor in a closed position;
FIG. 3 is a top perspective view of the shaving razor in a
closed position;
FIG. 4 is a bottom perspective view of the shaving razor in a
closed position;
FIG. 5 is a top perspective view of the shaving razor in the
extended position;
FIG. 6 is a bottom perspective view of the shaving razor in the
extended position;
FIG. 7 is a top view of the shaving razor extended 15°;
FIG. 8 is a top view of the shaving razor extended 40°;
FIG. 9 is a top view of the shaving razor extended 80°;
FIG. 10 is a top view of the shaving razor extended 150°;
FIG. 11 is a top view of the shaving razor extended 180°; and,
FIG. 12 is a bottom plan view of FIG. 11.

(56) **References Cited**

U.S. PATENT DOCUMENTS

D357,767 S * 4/1995 Schwarz D28/45
D627,517 S * 11/2010 Ido D28/45
2013/0333221 A1* 12/2013 Pineda 30/47

1 Claim, 7 Drawing Sheets

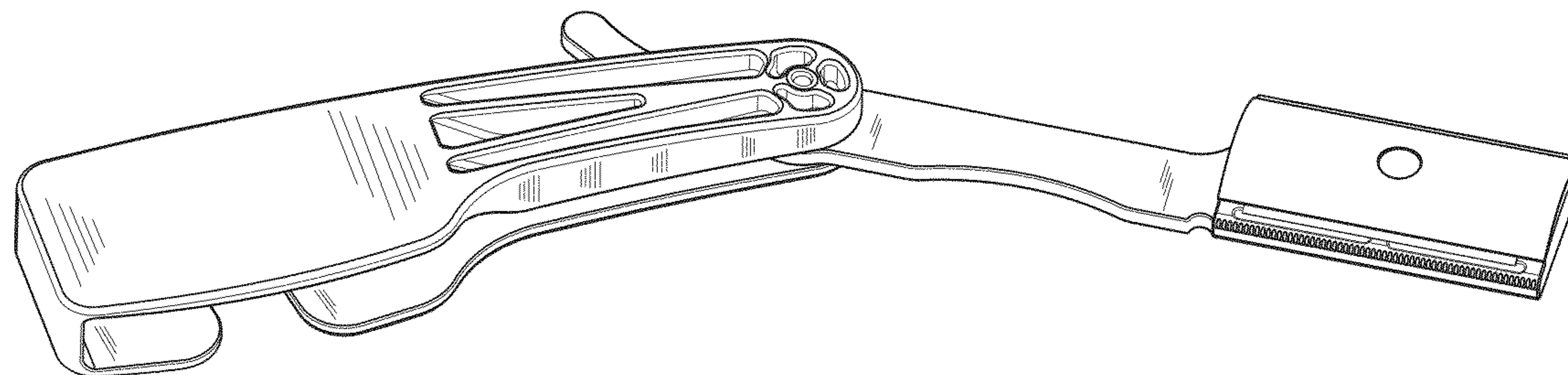


Fig.1

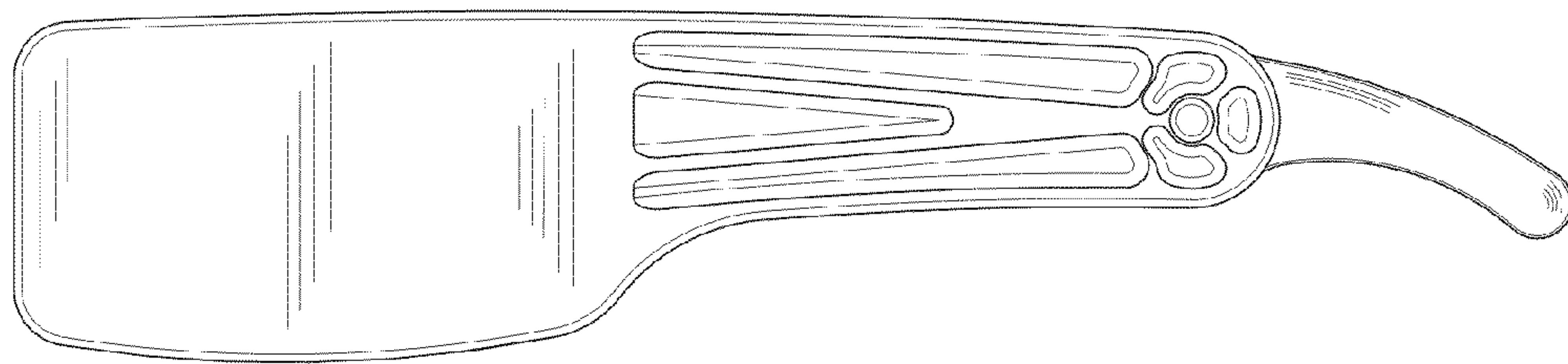


Fig.2

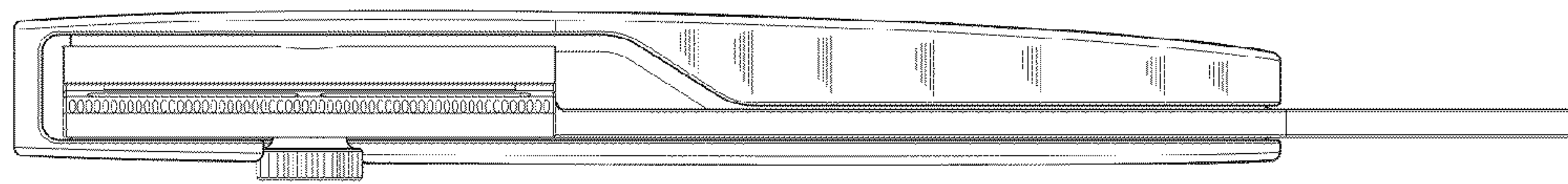


Fig.3

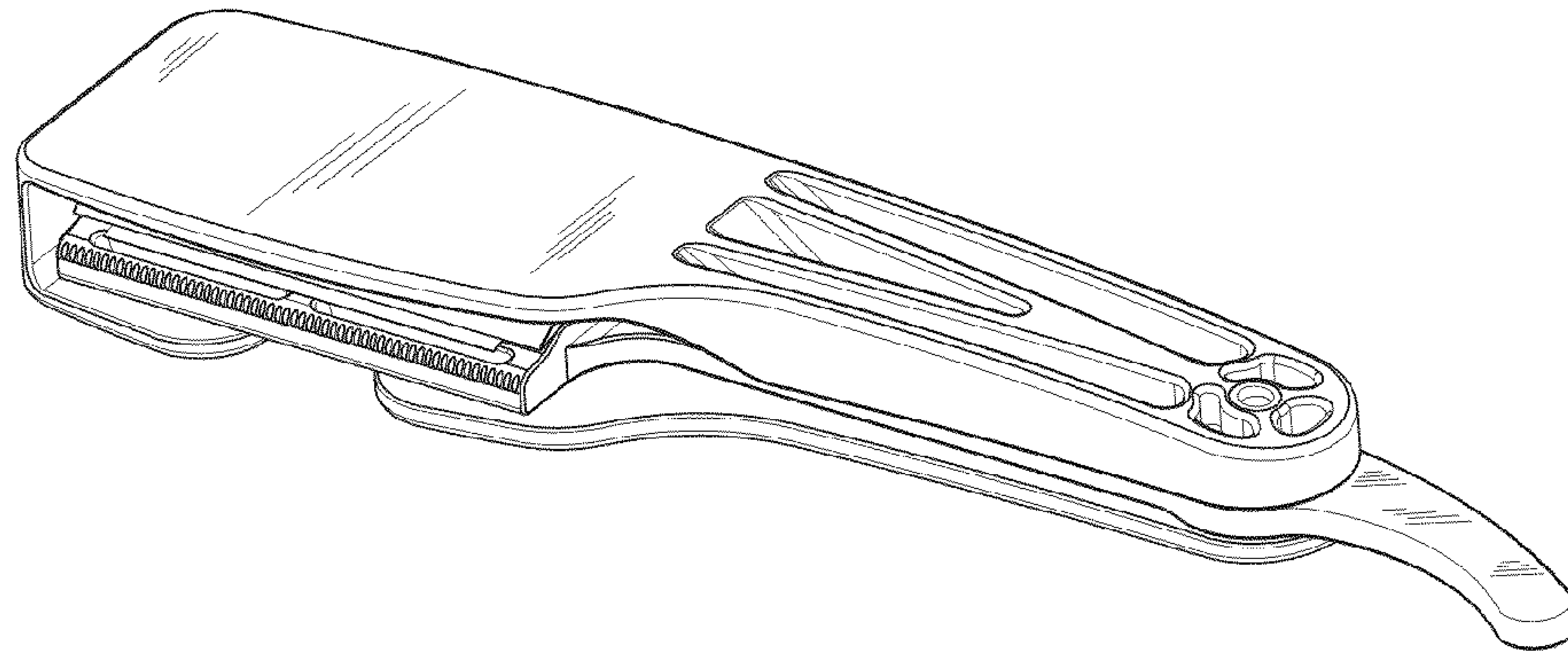


Fig.4

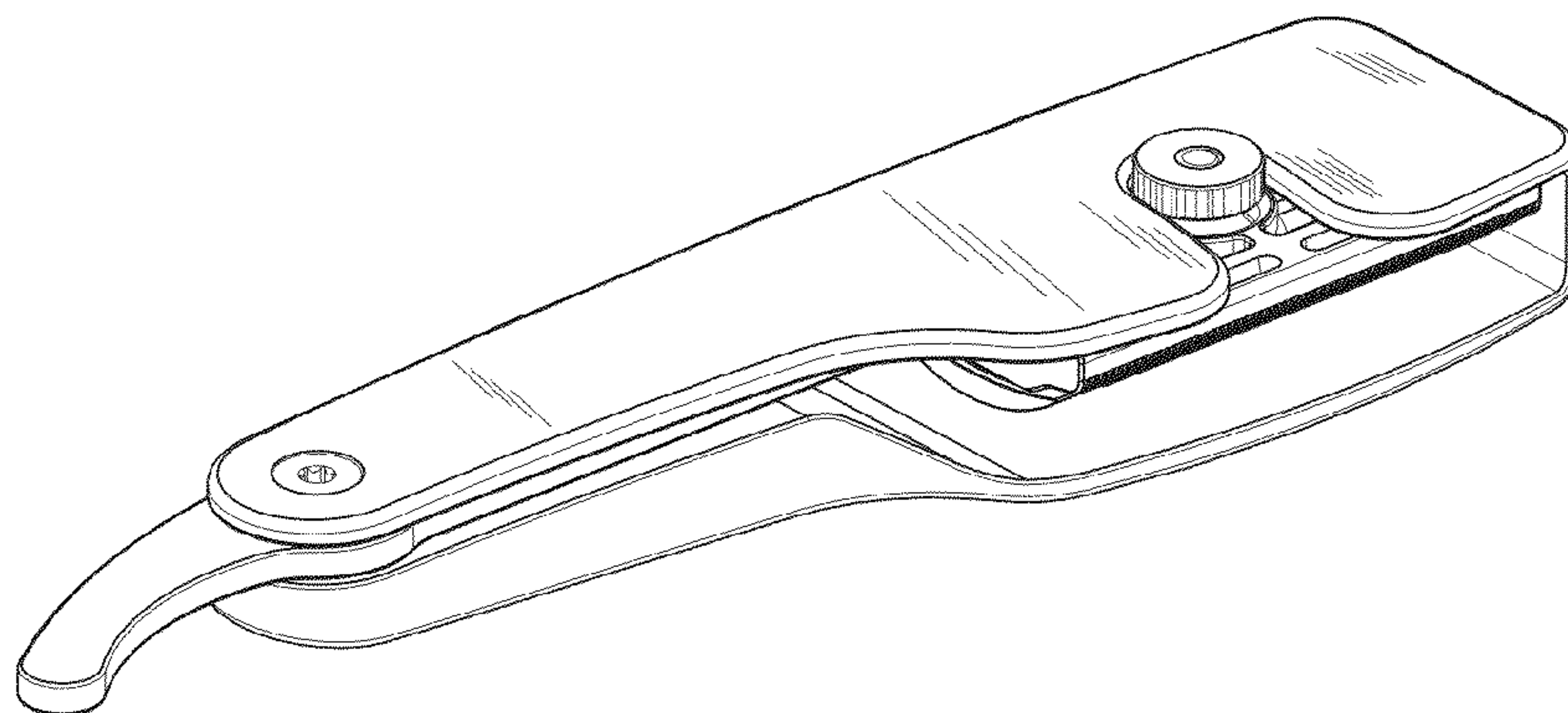


Fig.5

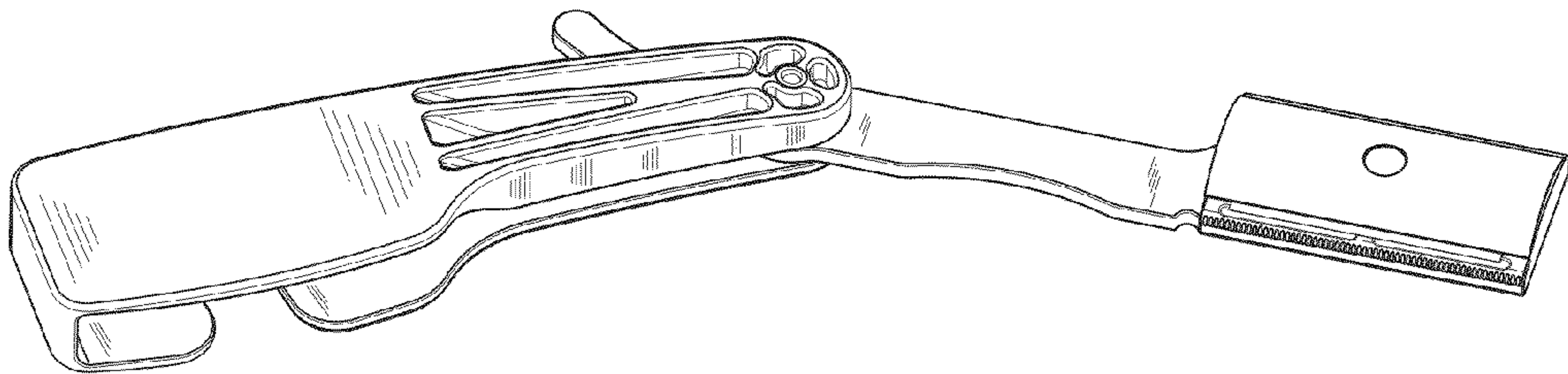


Fig.6

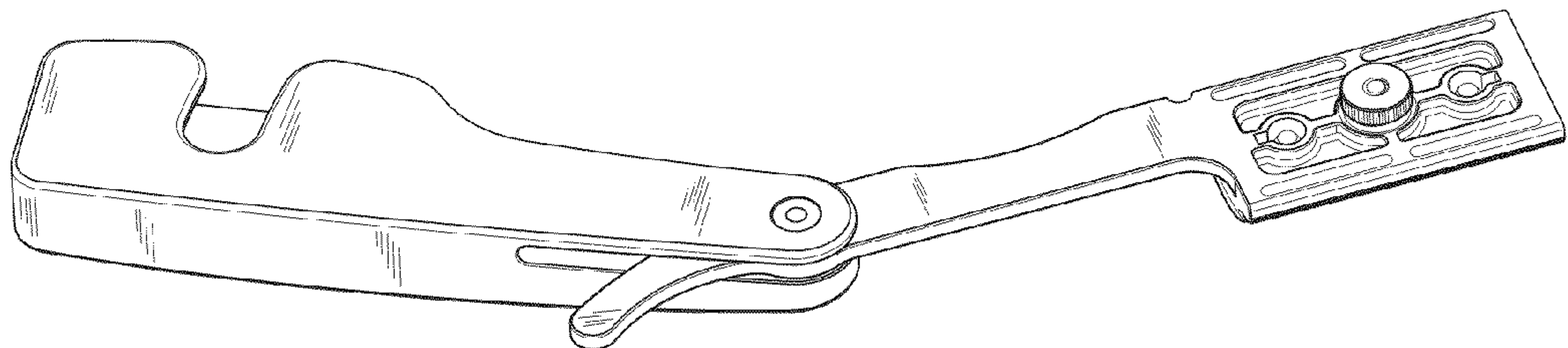


Fig.7

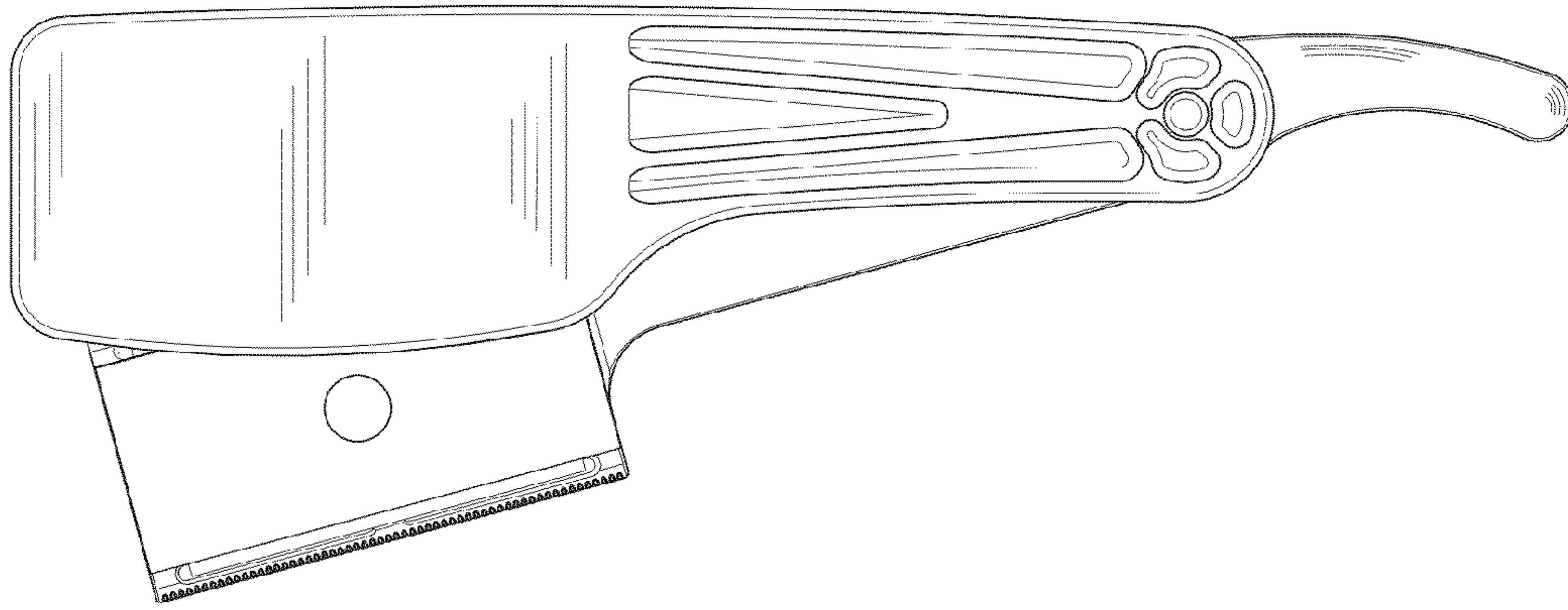


Fig.8

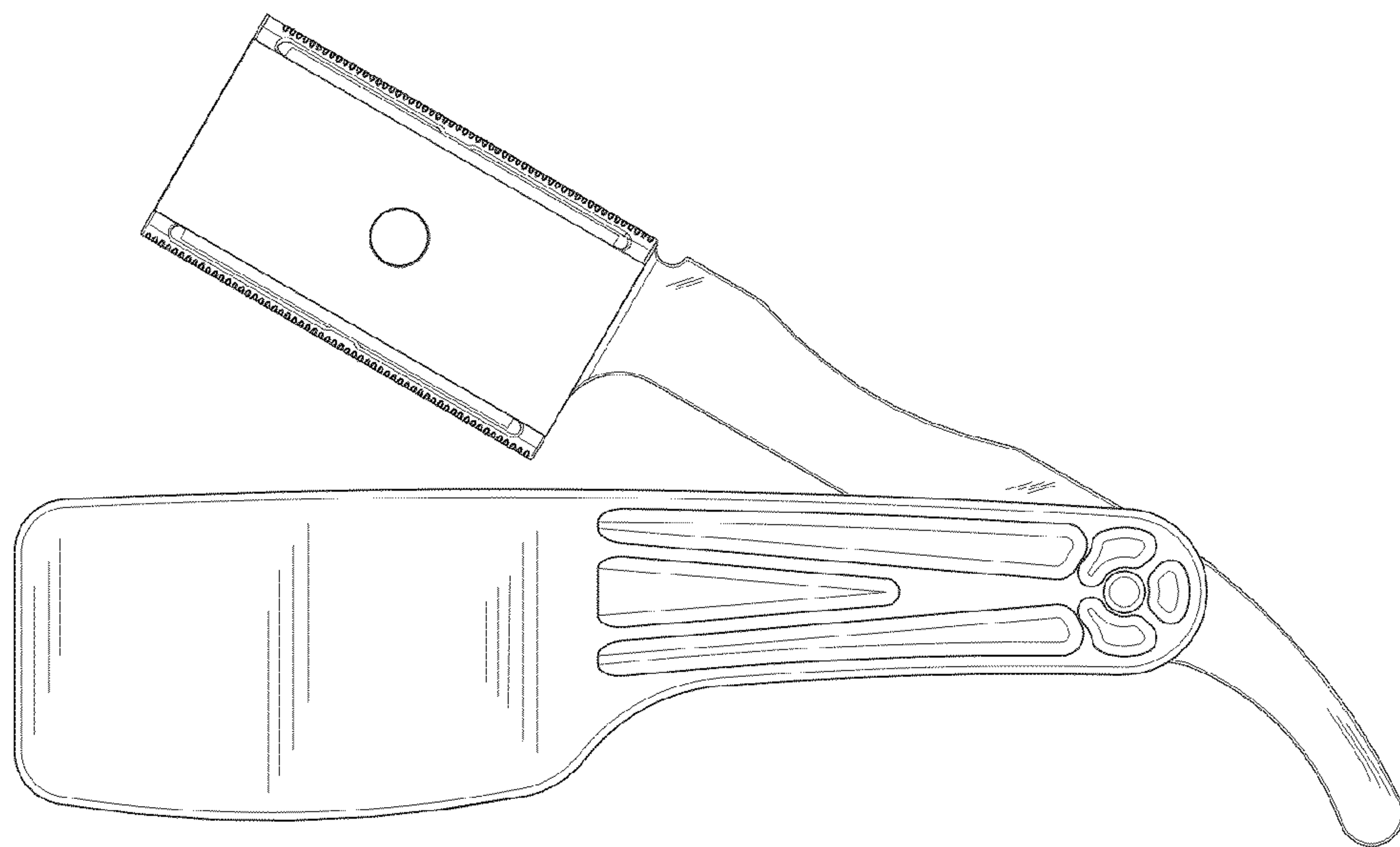


Fig.9

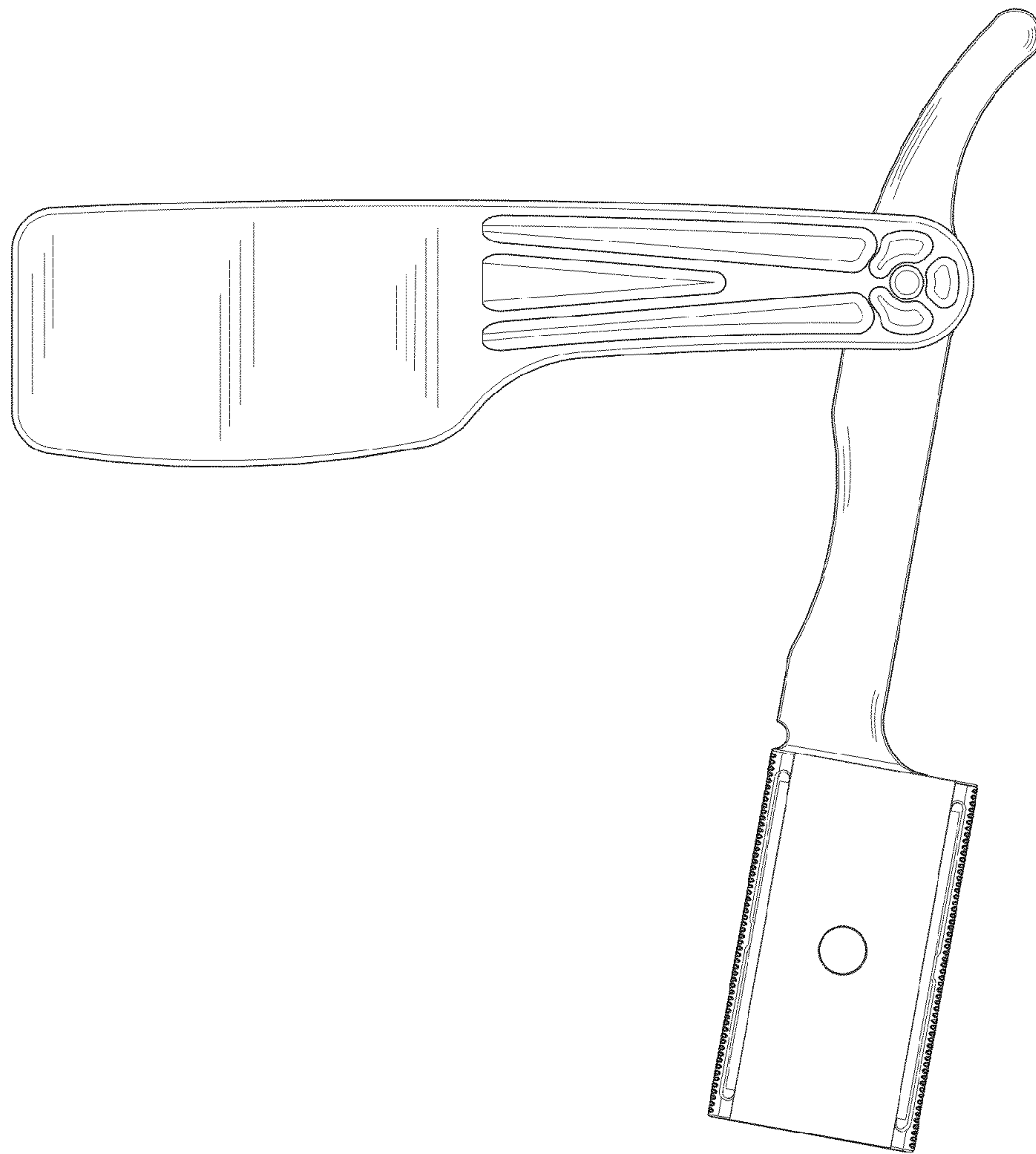


Fig.10

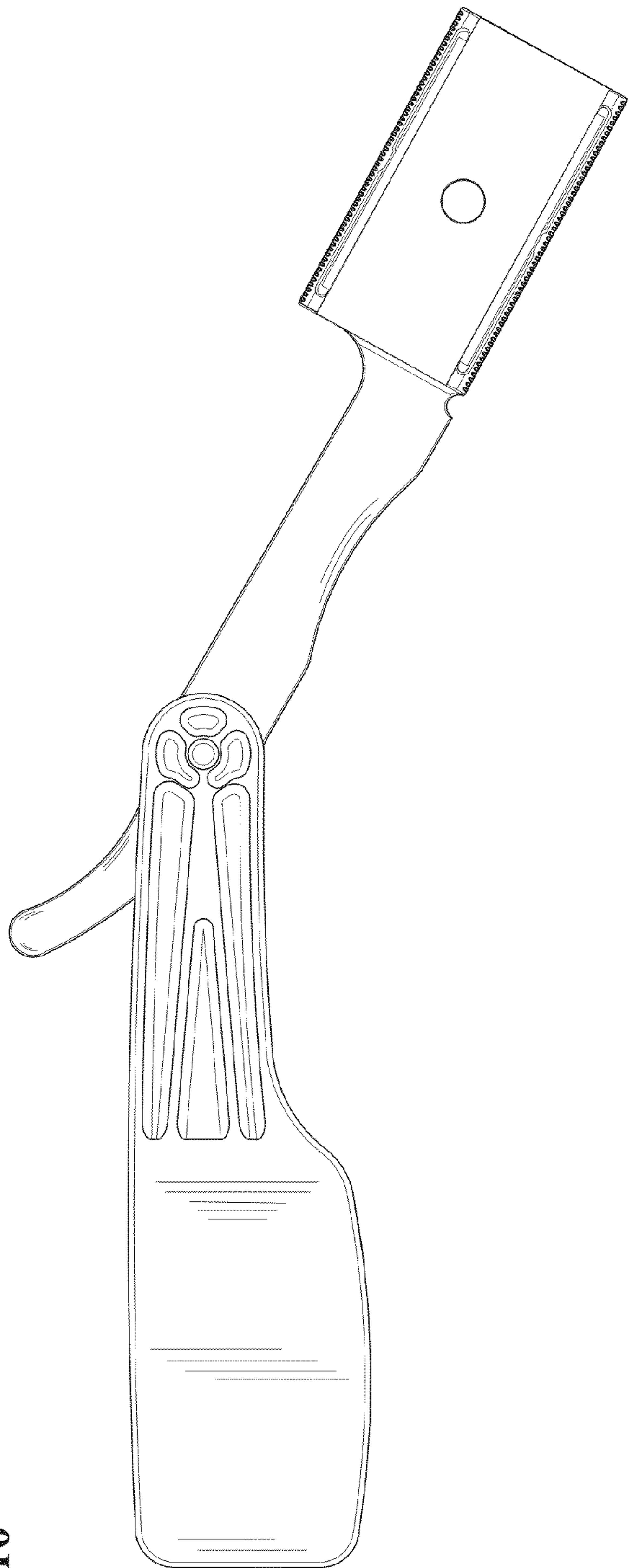


Fig.11

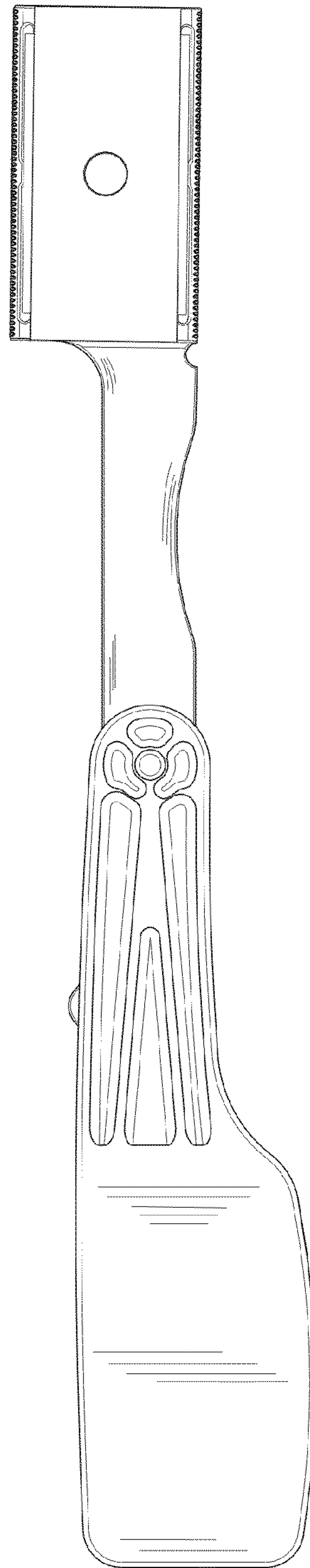


Fig.12

