



US00D743619S

(12) **United States Design Patent**
Fretz et al.

(10) **Patent No.:** **US D743,619 S**
(45) **Date of Patent:** **** Nov. 17, 2015**

(54) **LIGHT POD**

(71) Applicant: **Warn Industries, Inc.**, Clackamas, OR
(US)

(72) Inventors: **Darren G. Fretz**, Oregon City, OR (US);
Frederick F. Fletcher, Milwaukie, OR
(US)

(73) Assignee: **Warn Industries, Inc.**, Clackamas, OR
(US)

(**) Term: **14 Years**

(21) Appl. No.: **29/499,723**

(22) Filed: **Aug. 18, 2014**

(51) **LOC (10) Cl.** **26-99**

(52) **U.S. Cl.**
USPC **D26/118**; D26/104

(58) **Field of Classification Search**
USPC D26/24, 26, 28, 29, 34, 37, 38, 43, 44,
D26/51, 59, 60, 61, 63, 66, 67, 68, 72, 74,
D26/76, 85, 86, 88, 89, 91, 104, 113, 118,
D26/119, 120, 122–124, 138, 140–146;
362/145–148, 150, 153, 153.1, 218,
362/249.01–249.05, 294, 296.01, 296.07,
362/296.08, 311.07, 311.09, 311.1, 345,
362/362, 364, 365, 366, 368, 370, 371, 373,
362/397, 418, 427, 428, 460, 473–476,
362/546–548

CPC F21V 21/04; F21S 8/026; F21S 8/02
See application file for complete search history.

(56) **References Cited**

U.S. PATENT DOCUMENTS

D434,515	S	*	11/2000	McNamara	D26/63
D564,688	S	*	3/2008	Korpi	D26/63
D704,363	S	*	5/2014	Adams	D26/28
D704,364	S	*	5/2014	Adams	D26/28
2014/0146544	A1	*	5/2014	Gebhard et al.	362/311.02
2014/0204218	A1	*	7/2014	Gebhard et al.	362/372

OTHER PUBLICATIONS

Fretz et al., "Light Bar", U.S. Appl. No. 29/499,726, filed Aug. 18, 2014, 10 pages.

* cited by examiner

Primary Examiner — Garth Rademaker

Assistant Examiner — Llorellys Martinez-Rivera

(74) *Attorney, Agent, or Firm* — Alleman Hall McCoy
Russell & Tuttle LLP

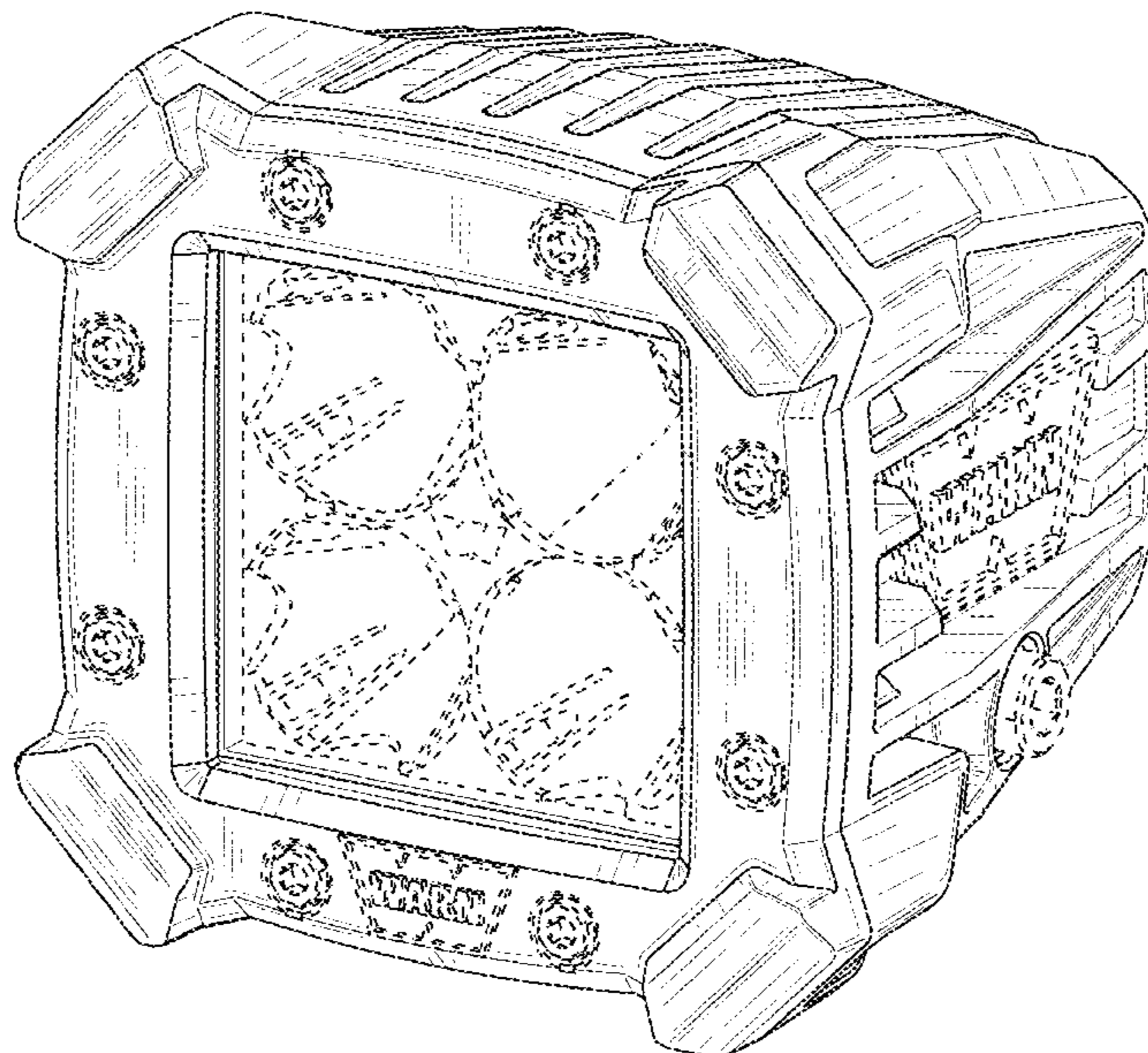
(57) **CLAIM**

The ornamental design for a light pod, as shown and described.

DESCRIPTION

FIG. 1 is a front view of a light pod showing our new design. FIG. 2 is a back view of the light pod of FIG. 1. FIG. 3 is a right view of the light pod of FIG. 1. FIG. 4 is a left view of the light pod of FIG. 1. FIG. 5 is a top view of the light pod of FIG. 1. FIG. 6 is a bottom view of a light pod of FIG. 1. FIG. 7 is a front perspective view of a light pod of FIG. 1; and, FIG. 8 is a back perspective view of a light pod of FIG. 1. The broken lines in the drawings illustrate portions of the light pod that form no part of the claimed design.

1 Claim, 8 Drawing Sheets



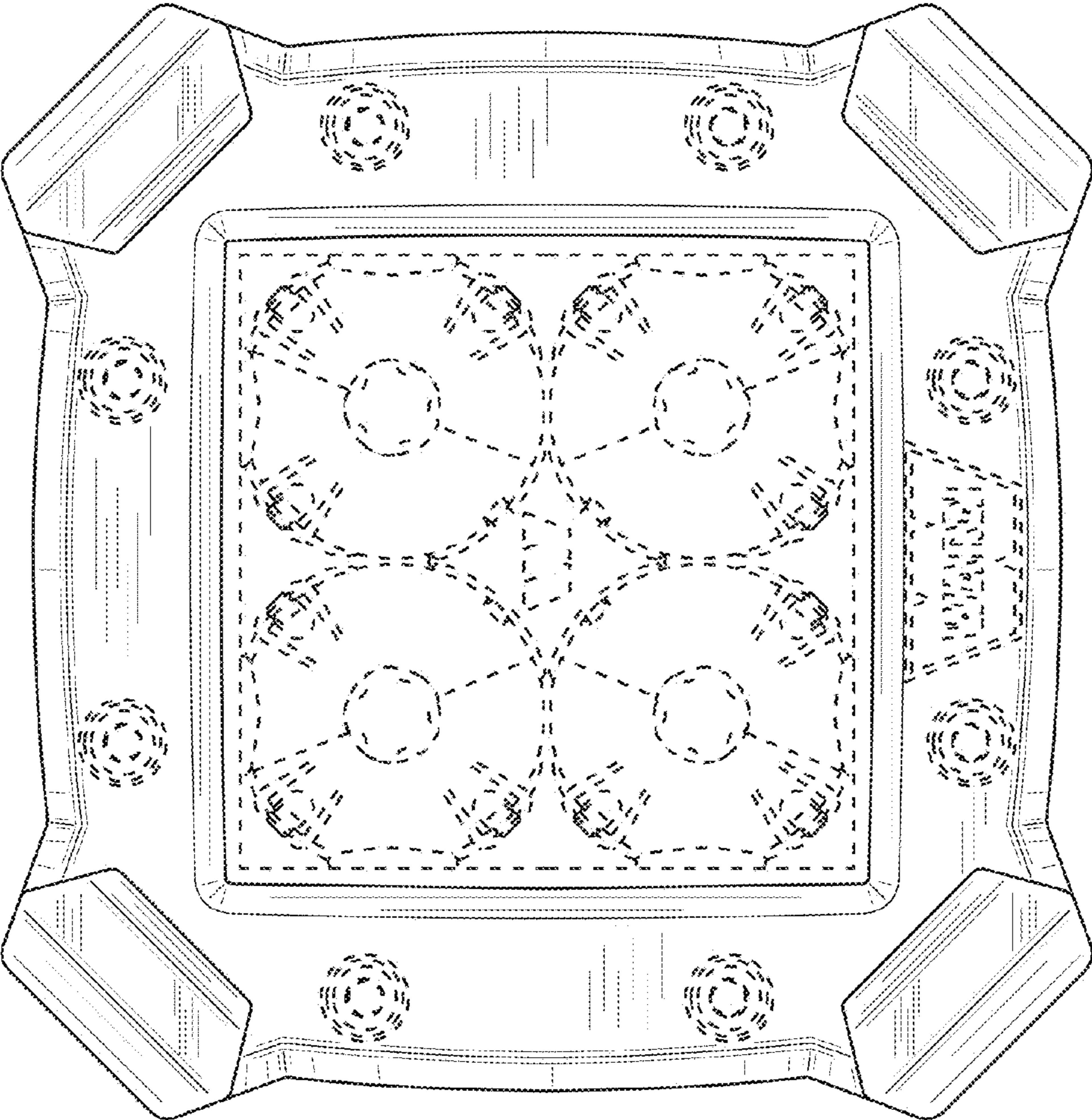


FIG. 1

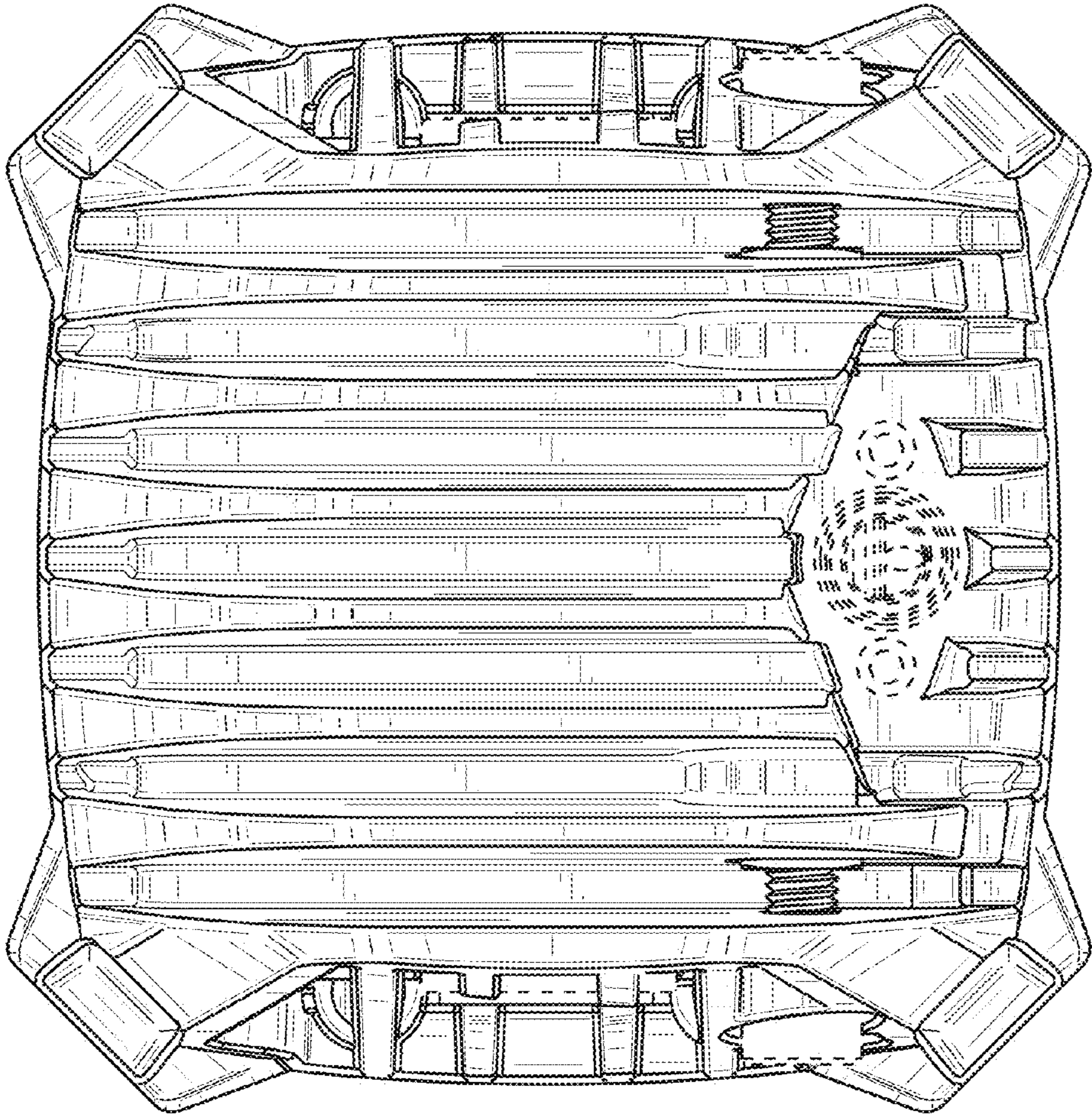


FIG. 2

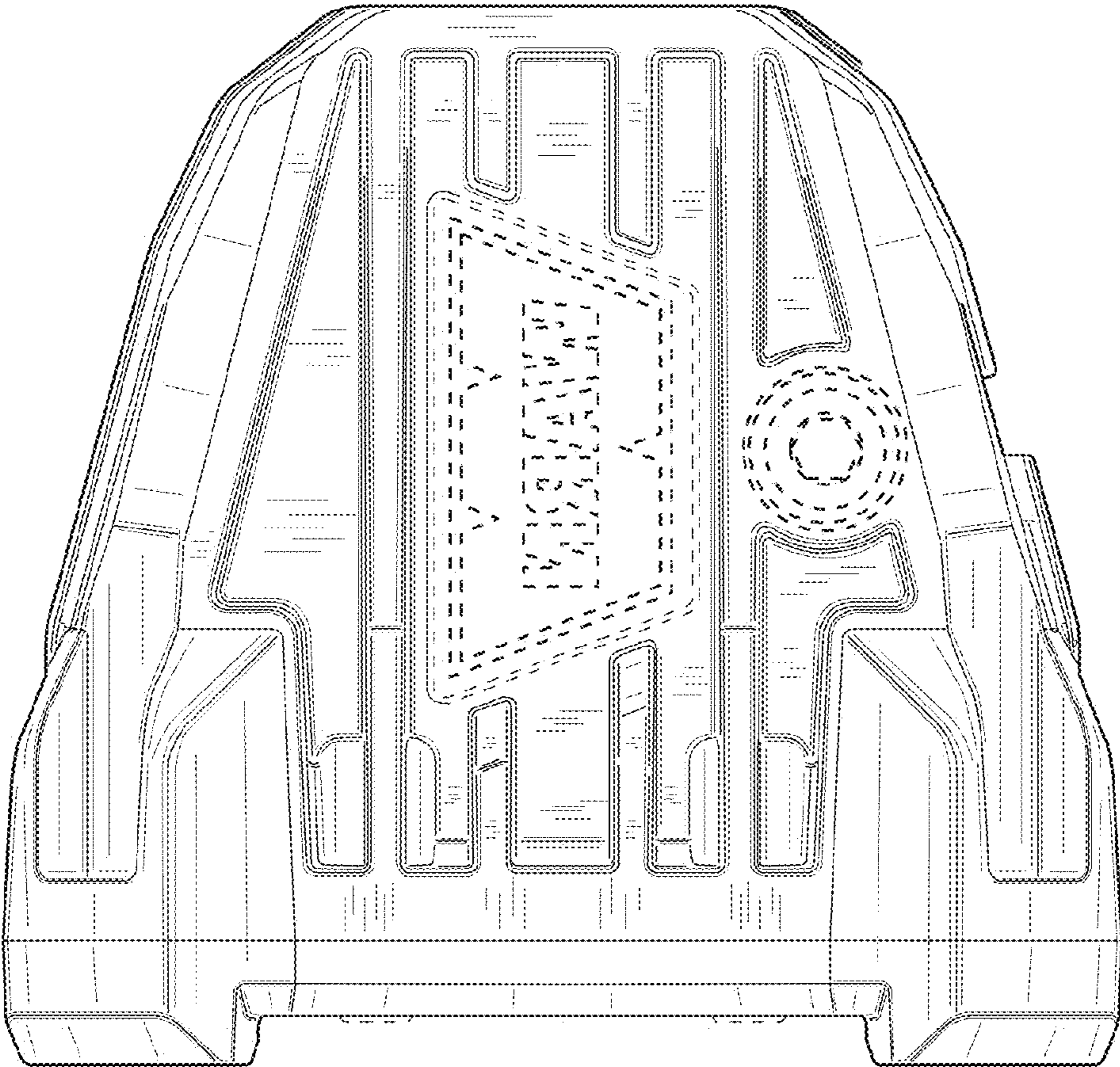


FIG. 3

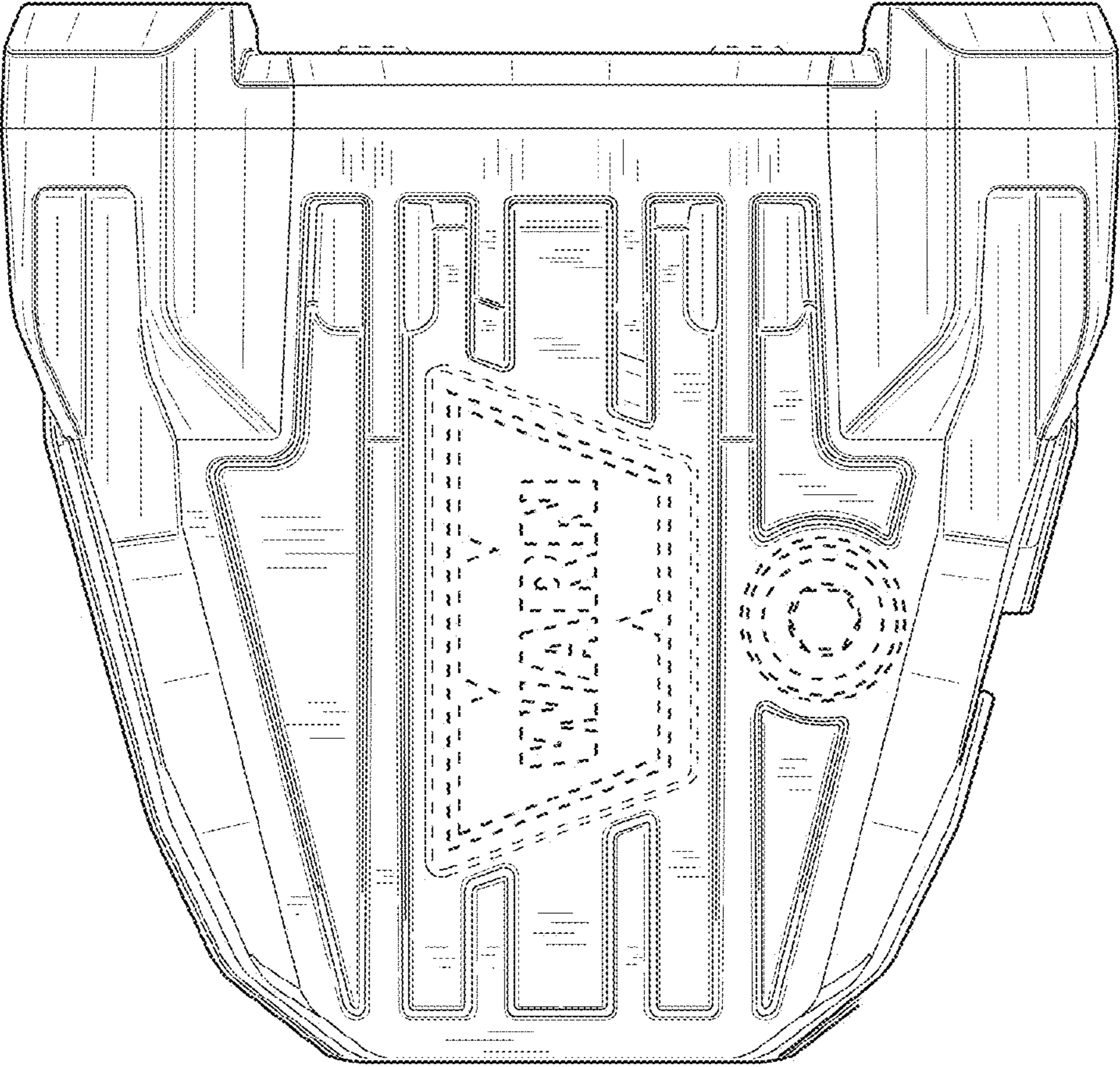


FIG. 4

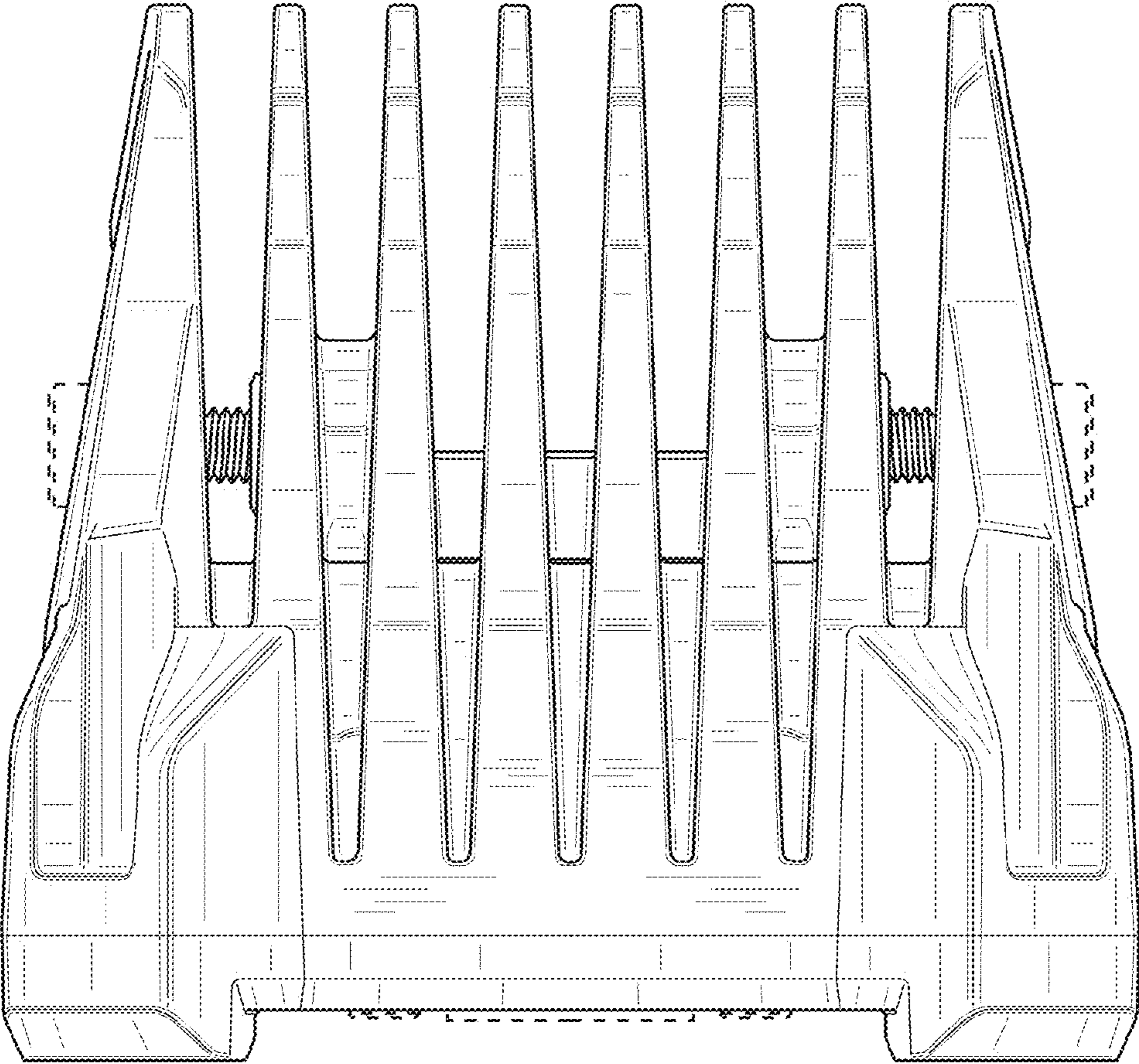


FIG. 5

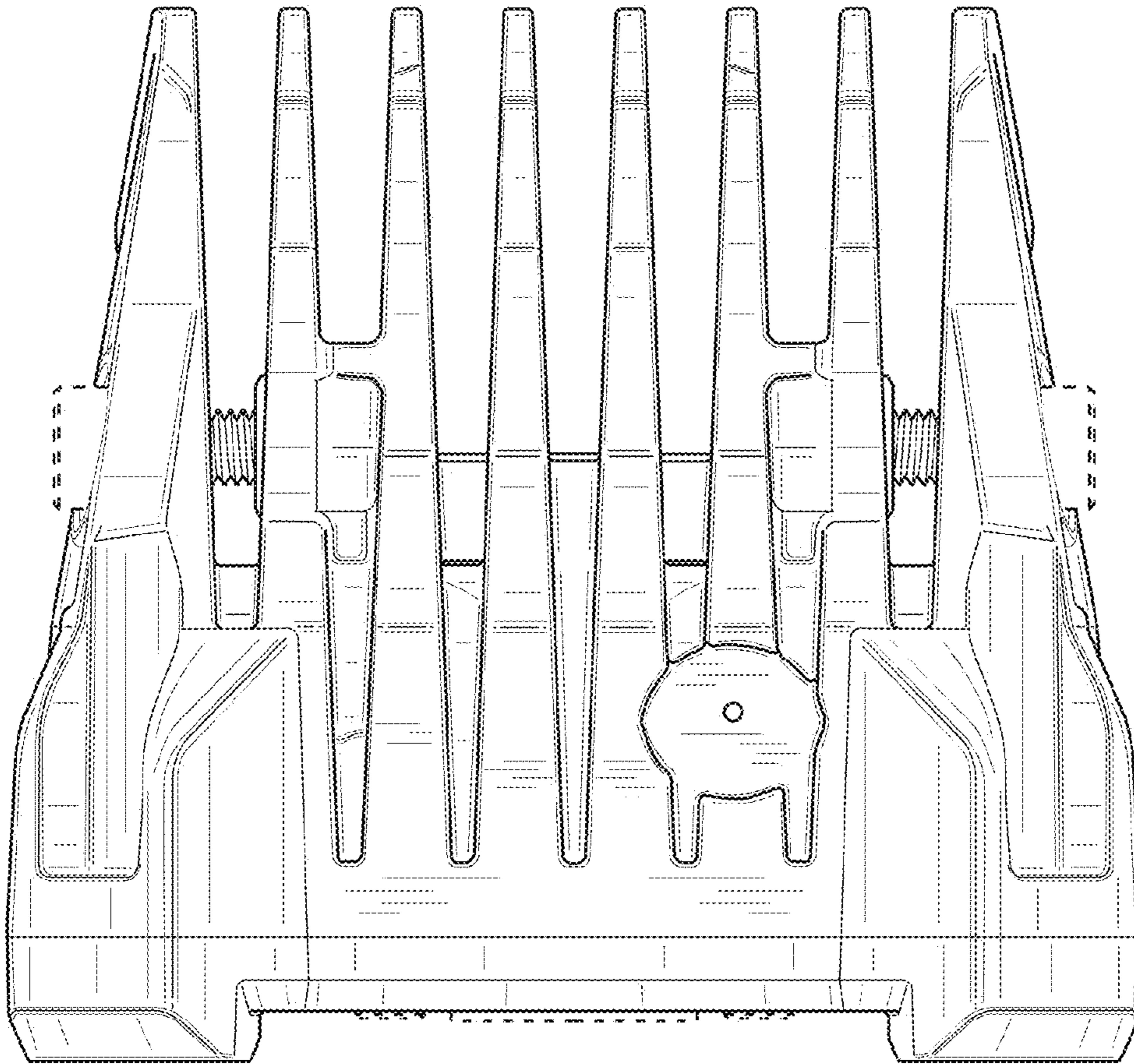


FIG. 6

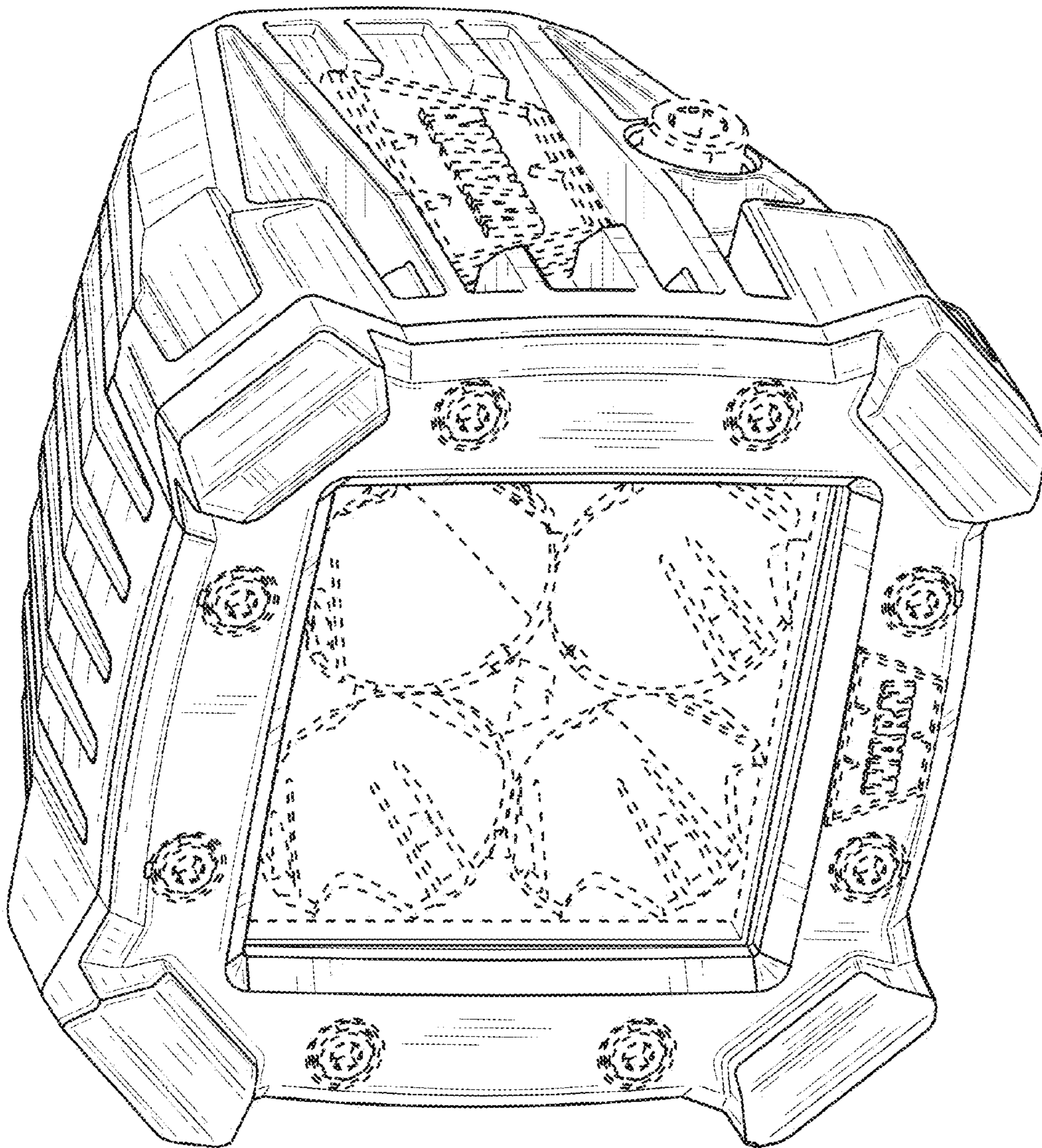


FIG. 7

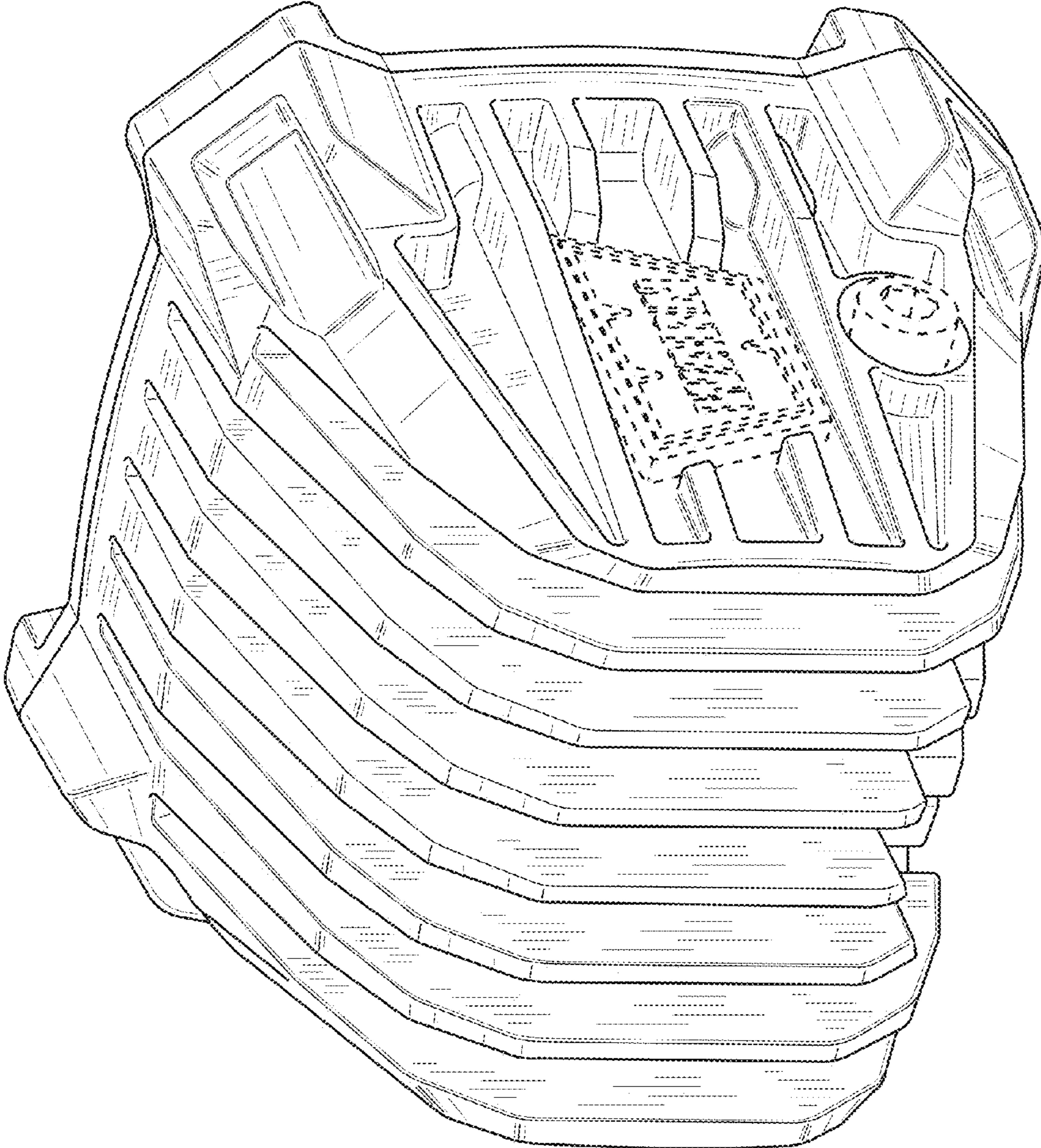


FIG. 8