



US00D743617S

(12) **United States Design Patent**
Clifton-Draper et al.

(10) **Patent No.:** **US D743,617 S**

(45) **Date of Patent:** **** Nov. 17, 2015**

(54) **LANTERN STOVE TOP**

(71) Applicants: **Julia D. Clifton-Draper**, New Port Richey, FL (US); **George E. Draper**, New Port Richey, FL (US); **Cristen Peterson**, Clearwater, FL (US)

(72) Inventors: **Julia D. Clifton-Draper**, New Port Richey, FL (US); **George E. Draper**, New Port Richey, FL (US); **Cristen Peterson**, Clearwater, FL (US)

(**) Term: **14 Years**

(21) Appl. No.: **29/483,801**

(22) Filed: **Mar. 3, 2014**

(51) **LOC (10) Cl.** **26-99**

(52) **U.S. Cl.**
USPC **D26/114**

(58) **Field of Classification Search**

USPC D26/9, 10, 12, 13, 15, 16, 24, 51, 61, D26/72, 76, 80, 81, 85, 86, 88, 90, 113, 118, D26/119, 120, 122, 128, 129, 138, 143, 144, D26/5, 6, 11, 79, 114, 116, 131, 137; D13/180; D10/18, 21, 24, 25, 27, 28, D10/46, 93, 104.1, 113, 114, 116.1; D17/99
CPC B60Q 1/04; B60Q 1/26; F21S 8/026; F21S 8/04; F21V 29/004; F21V 21/02; F21V 21/04; F21V 29/2212; F21V 37/002; F21Y 2101/02; F21L 19/00; F23D 11/443; A61L 9/037

See application file for complete search history.

(56) **References Cited**

U.S. PATENT DOCUMENTS

1,007,461 A * 10/1911 Lehmann 126/258
1,180,175 A * 4/1916 Moreton 431/110

(Continued)

OTHER PUBLICATIONS

Sinestro Power Battery Prop Replica—TinEye, image post date Feb. 8, 2013, site visited Jul. 15, 2015, (online), <<https://www.tineye.com/search/ad734df6ce39e6d4ee9dd5789c565767db1f863d/?pluginver=>>>.*

(Continued)

Primary Examiner — Kevin Rudzinski

Assistant Examiner — Sean D Lough

(74) *Attorney, Agent, or Firm* — Edward Dutkiewicz

(57) **CLAIM**

The ornamental design for a lantern stove top, as shown and described.

DESCRIPTION

FIG. 1 is a front elevation view of the lantern stove top showing our new design. The air vents are shown with broken lines and are provided for environmental purposes only and are not part of the claimed design;

FIG. 2 is a rear elevation view of the lantern stove top, showing the seam on the lantern stove top. The air vents and rivets are shown with broken lines and are provided for environmental purposes only and are not part of the claimed design;

FIG. 3 is a right side elevation view of the lantern stove top. The air vents and rivets are shown with broken lines and are provided for environmental purposes only and are not part of the claimed design;

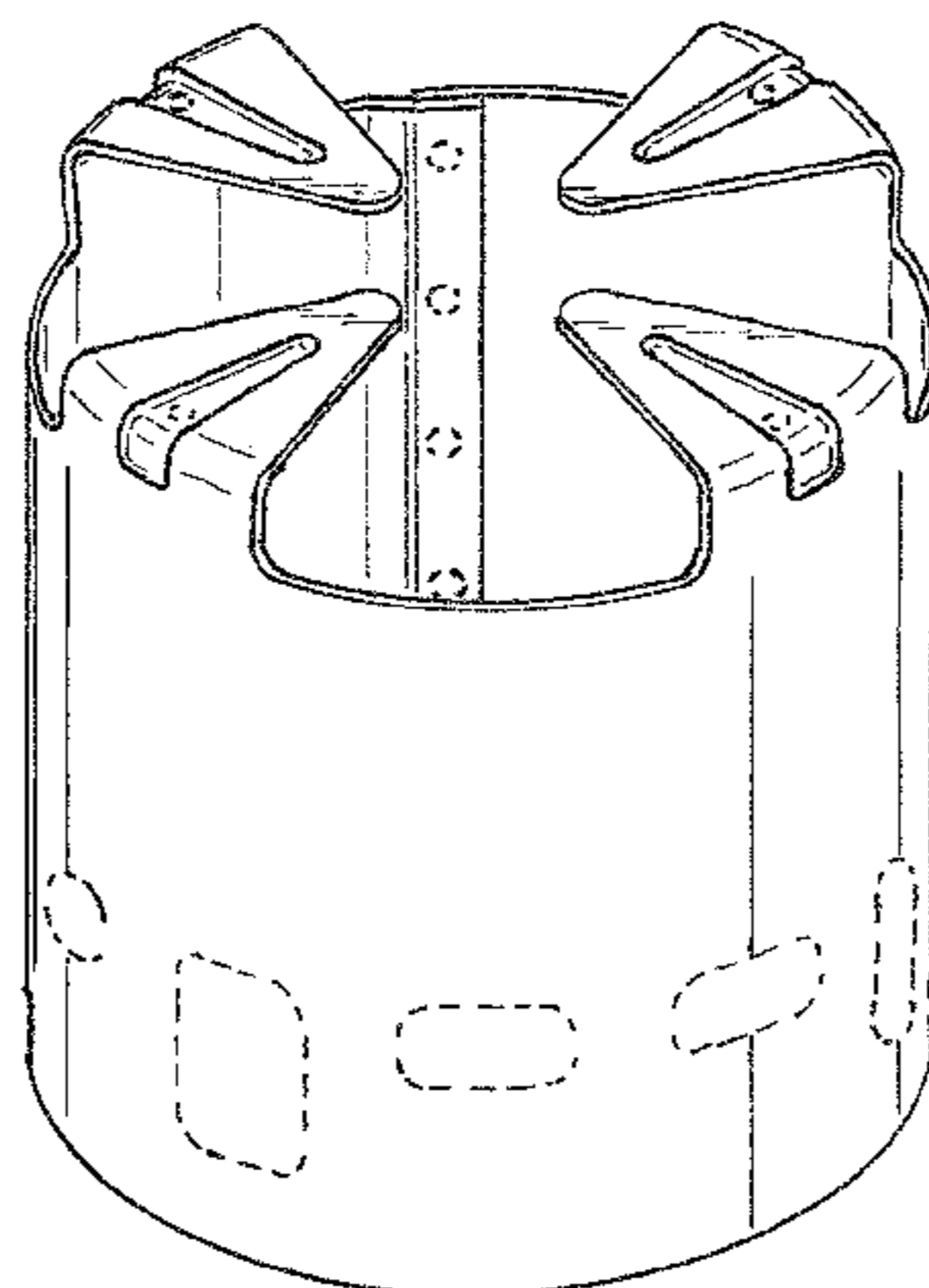
FIG. 4 is a left side elevation view of the lantern stove top. The air vents and rivets are shown with broken lines and are provided for environmental purposes only and are not part of the claimed design;

FIG. 5 is a top plan view of the lantern stove top, showing the prongs, or upper tabs. The small holes shown with broken lines in the upper tabs, as well as the lower tabs shown in broken lines are provided for environmental purposes only, and are not part of the claimed design;

FIG. 6 is a bottom plan view of the lantern stove top, showing the prongs, or upper tabs. The small holes are shown with broken lines in the upper tabs. These small holes shown with broken lines in the upper tabs as well as the lower tabs shown in broken lines are provided for environmental purposes only, and are not part of the claimed design; and,

FIG. 7 is a perspective view of the lantern stove top, showing the air holes, the upper tab holes and the rivets in broken lines, which are shown for environmental purposes only and are not part of the claimed design.

1 Claim, 4 Drawing Sheets



(56)

References Cited

U.S. PATENT DOCUMENTS

1,995,049	A *	3/1935	Zeitz	431/342
2,034,478	A *	3/1936	Levy	62/457.6
2,402,138	A *	6/1946	Hebard	239/116
2,448,326	A *	8/1948	Roberts	126/258
2,463,830	A *	3/1949	Tullis	431/123
2,465,572	A *	3/1949	Bramming	431/344
2,502,389	A *	3/1950	Pastoret	126/96
2,567,323	A *	9/1951	Cyphert	126/96
2,583,916	A *	1/1952	Wickman	126/256
2,829,635	A *	4/1958	Teller	126/208
2,845,924	A *	8/1958	Benda	126/208
2,904,031	A *	9/1959	Scott	126/204
3,024,782	A *	3/1962	Knopps	126/208
3,262,445	A *	7/1966	Stults et al.	126/262
3,371,659	A *	3/1968	Paspalas	126/43
3,408,998	A *	11/1968	Brancato et al.	126/4
3,529,911	A *	9/1970	Townsend	431/107
3,769,957	A *	11/1973	Ozaki	126/9 A
3,804,075	A *	4/1974	Rummel	126/258
4,029,079	A *	6/1977	Elder	126/258
4,414,956	A *	11/1983	Webber	126/59
4,475,532	A *	10/1984	Woods	126/204
D276,749	S *	12/1984	Smithers	D26/11
4,913,126	A *	4/1990	McCall	126/204
5,024,208	A *	6/1991	Hottenroth et al.	126/25 R
5,113,843	A *	5/1992	Henry et al.	126/77
5,328,045	A *	7/1994	Yoshida	220/359.2
5,405,186	A *	4/1995	Hanson et al.	297/180.1
5,417,200	A *	5/1995	Wasielewski	126/258
5,423,309	A *	6/1995	Miller et al.	126/260
5,449,244	A *	9/1995	Sandino	404/14
5,469,835	A *	11/1995	Stephen et al.	126/25 B
5,836,757	A *	11/1998	Long et al.	431/264
6,034,467	A *	3/2000	Roberts	313/46
6,076,515	A *	6/2000	Smith	126/9 A
6,293,274	B1 *	9/2001	Anderson et al.	126/46
6,295,979	B1 *	10/2001	Stromberg et al.	126/208
6,688,877	B1 *	2/2004	Draper et al.	431/104
D487,817	S *	3/2004	Benghozi	D26/118
6,705,308	B2 *	3/2004	Hubscher	126/208
D503,003	S *	3/2005	Nelson et al.	D26/23
6,863,526	B1 *	3/2005	Draper et al.	431/100
6,887,071	B1 *	5/2005	Draper et al.	431/104
D519,495	S *	4/2006	Lum	D14/221
D548,086	S *	8/2007	Conway et al.	D9/732
D570,035	S *	5/2008	Franklin	D26/137
D573,297	S *	7/2008	Beadle	D26/118
7,438,204	B2 *	10/2008	Conway et al.	222/486
D583,984	S *	12/2008	Takahashi et al.	D26/89
D592,445	S *	5/2009	Sorenson et al.	D7/359
7,568,911	B1 *	8/2009	Draper et al.	431/231
D604,098	S *	11/2009	Hamlin	D7/408
D606,696	S *	12/2009	Chen et al.	D26/74
7,845,344	B2 *	12/2010	Sorenson et al.	126/246
D636,523	S *	4/2011	Chujo et al.	D26/113
D640,819	S *	6/2011	Pan	D26/74
D657,090	S *	4/2012	Kaule et al.	D26/138
D662,255	S *	6/2012	Klu	D26/138
D663,162	S *	7/2012	Lewis et al.	D7/408
D673,718	S *	1/2013	Lui	D26/113
D675,368	S *	1/2013	Leonard	D26/118
D679,943	S *	4/2013	Zhou	D7/402
D683,068	S *	5/2013	Zhou et al.	D26/142
D683,494	S *	5/2013	Verdin	D26/137
D684,308	S *	6/2013	Teller	D26/118
D705,478	S *	5/2014	Clifton-Draper et al.	D26/114
D705,479	S *	5/2014	Clifton-Draper et al.	D26/114
D710,529	S *	8/2014	Lopez et al.	D26/113
D726,071	S *	4/2015	Aoyama	D11/155
D729,424	S *	5/2015	Li	D26/26

OTHER PUBLICATIONS

American Gas and Blue Rhino Propane Tanks, image post date Apr. 10, 2013, site visited Jul. 15, 2015, (online), <<http://www.frugalcouponliving.com/2013/04/10/propane-tank-coupons-and-rebates-american-gas-and-blue-rhino/>>.*

* cited by examiner

FIG. 1

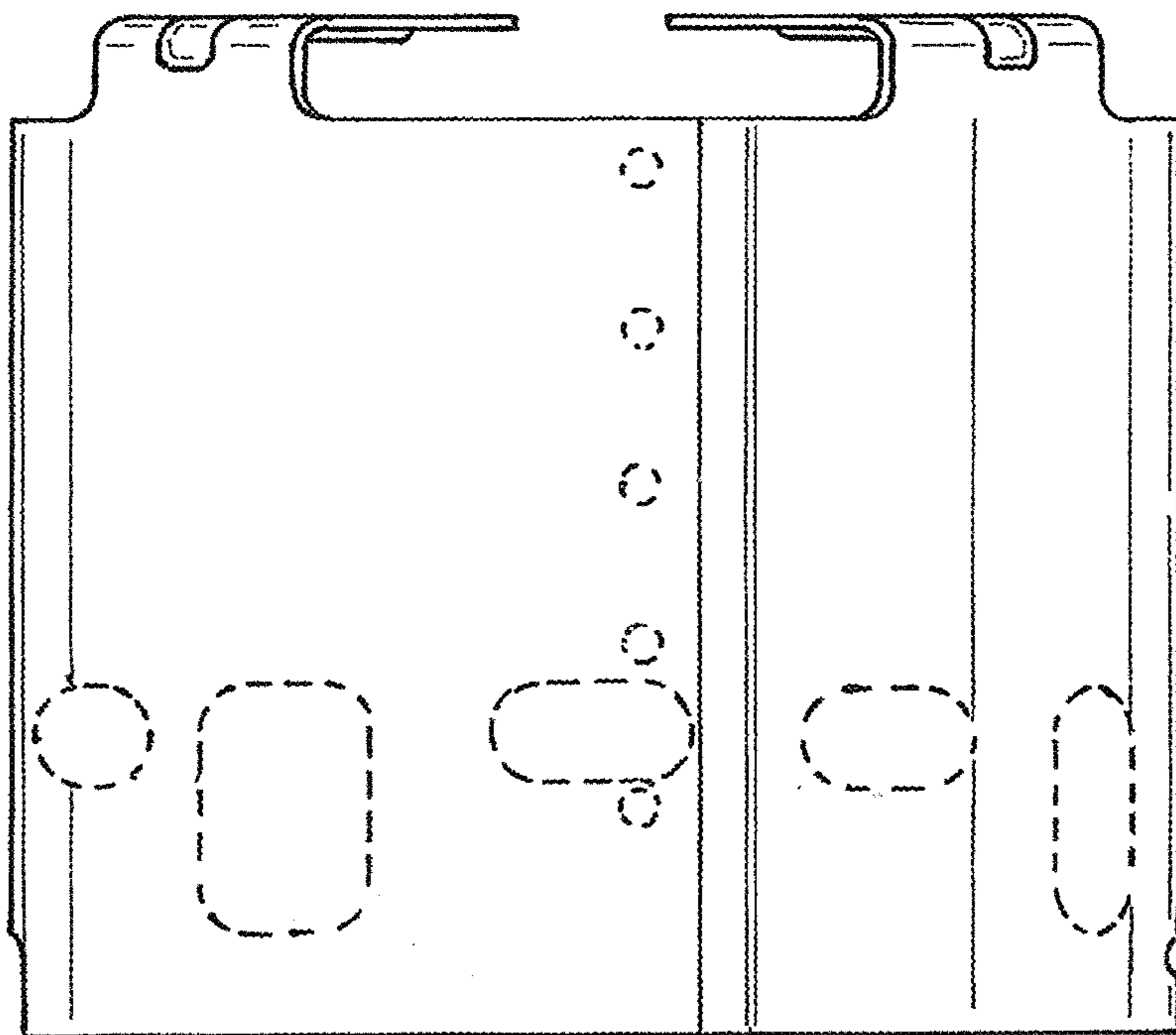
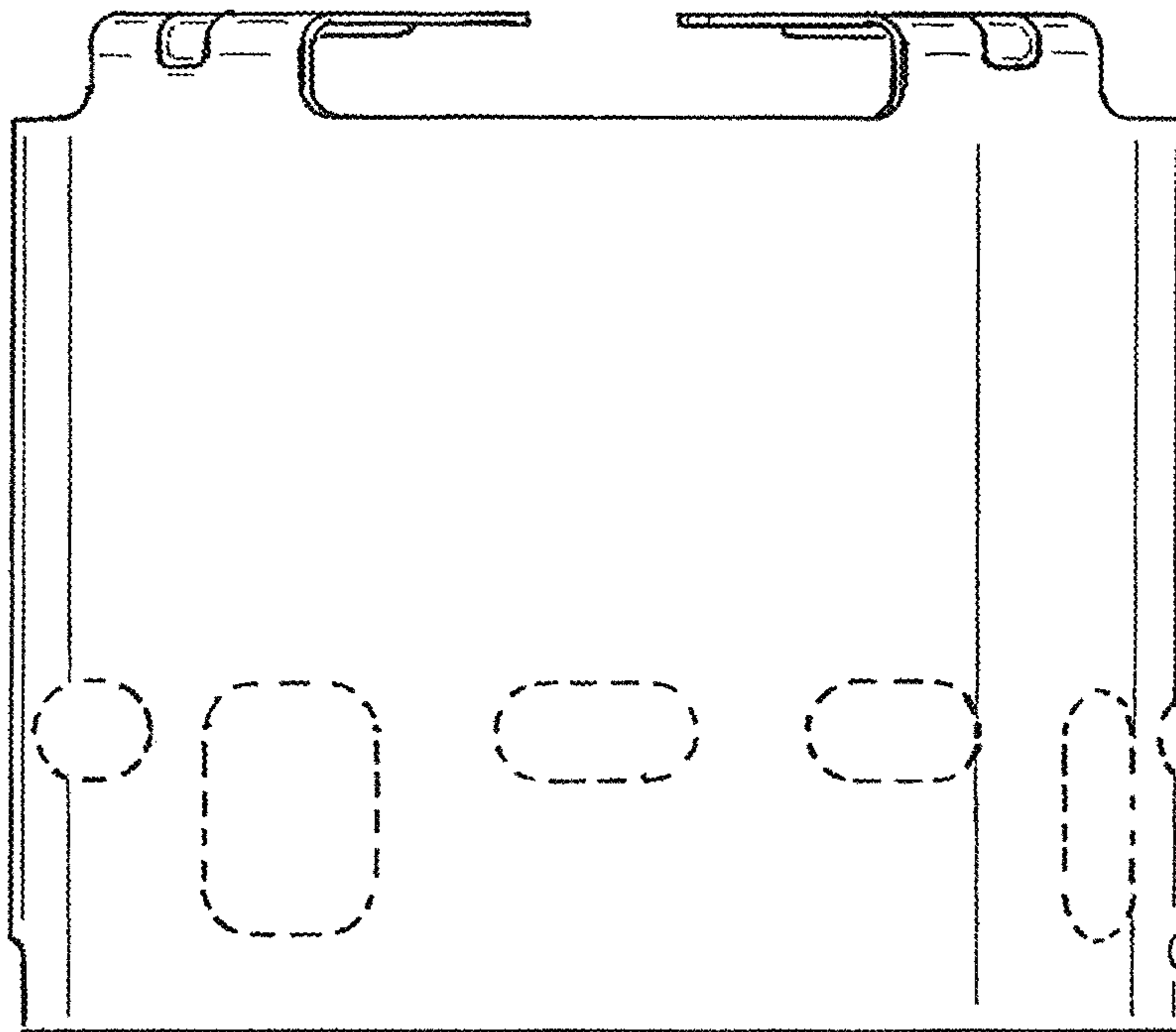


FIG. 2

FIG. 3

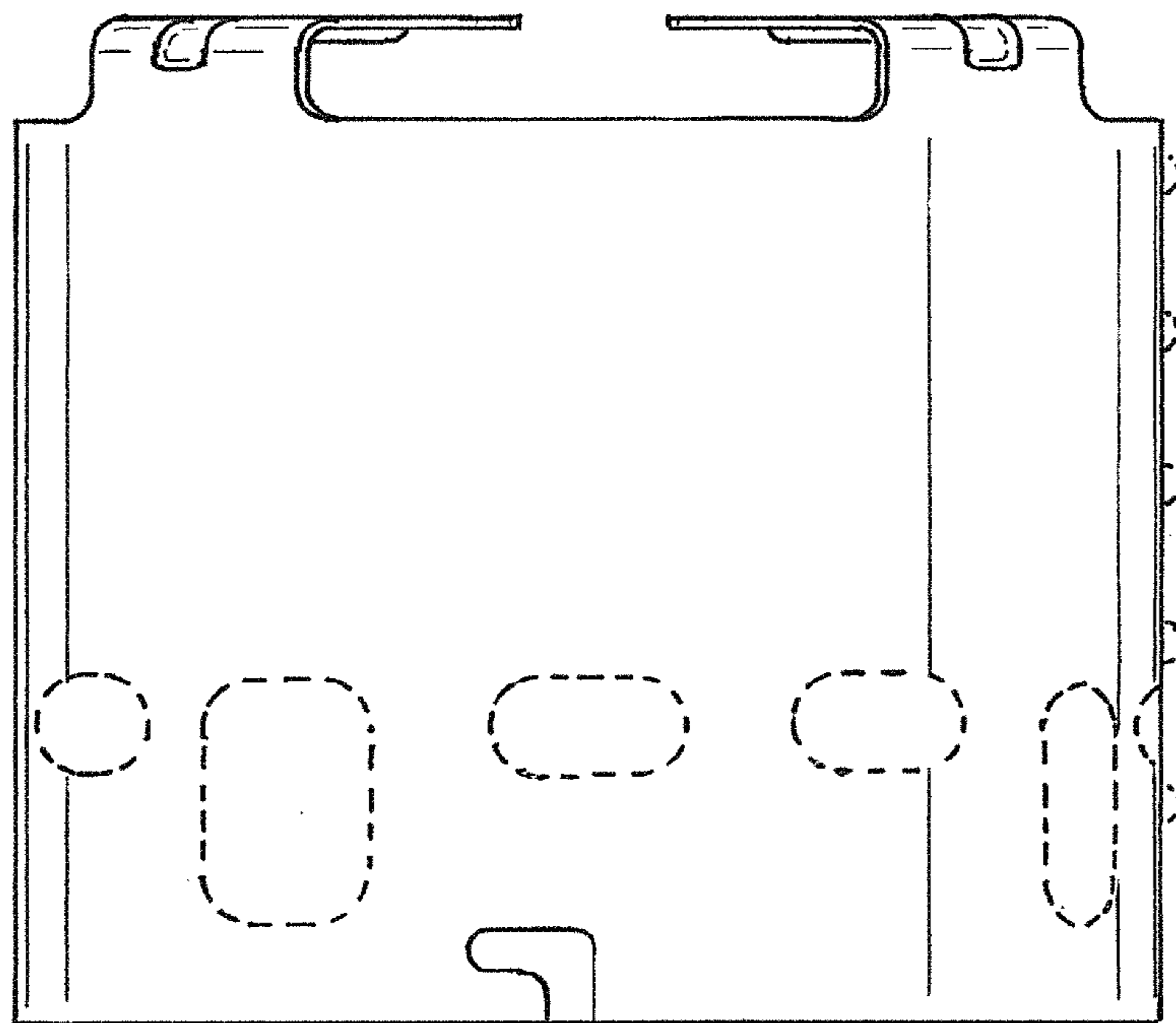
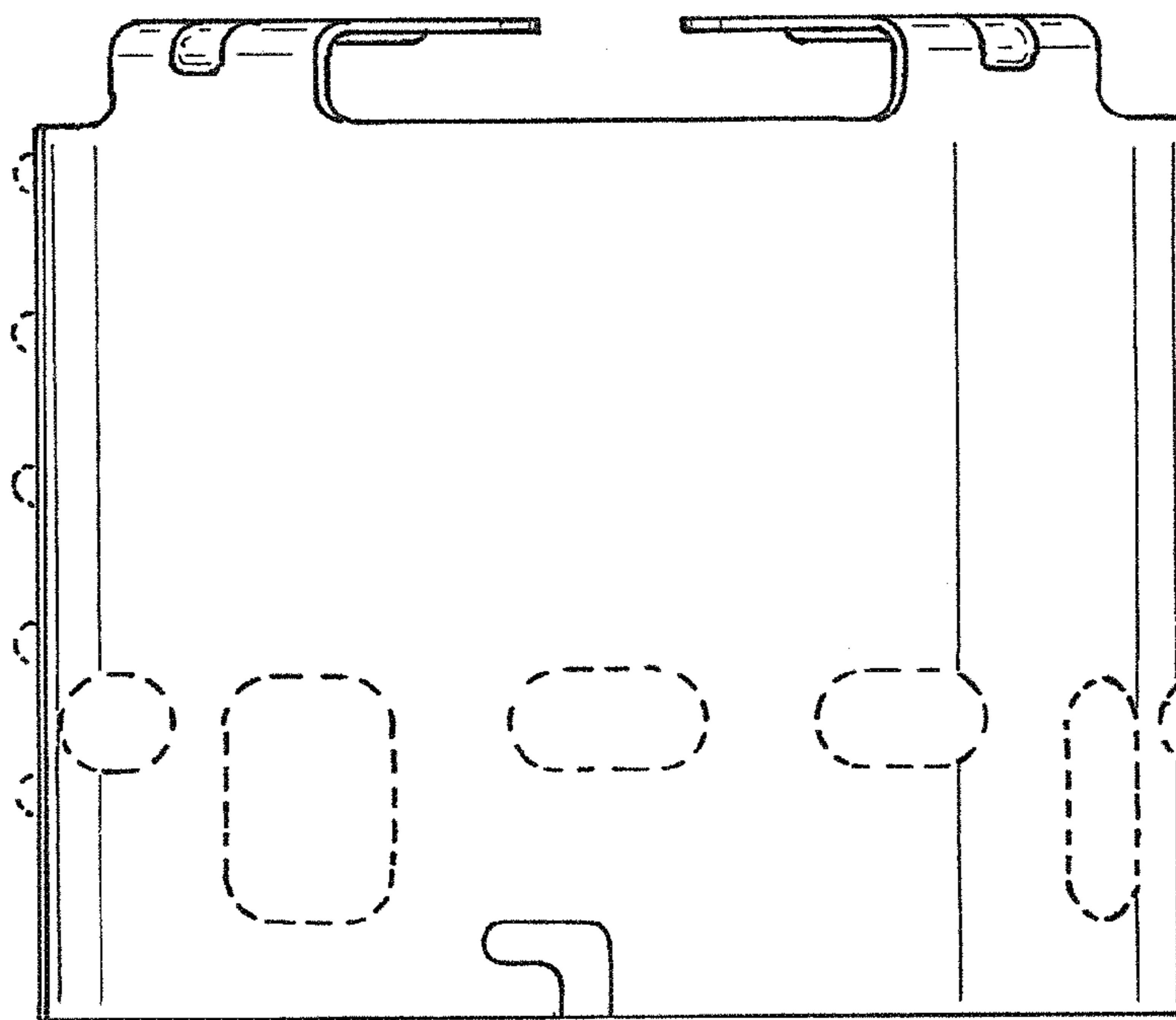


FIG. 4

FIG. 5

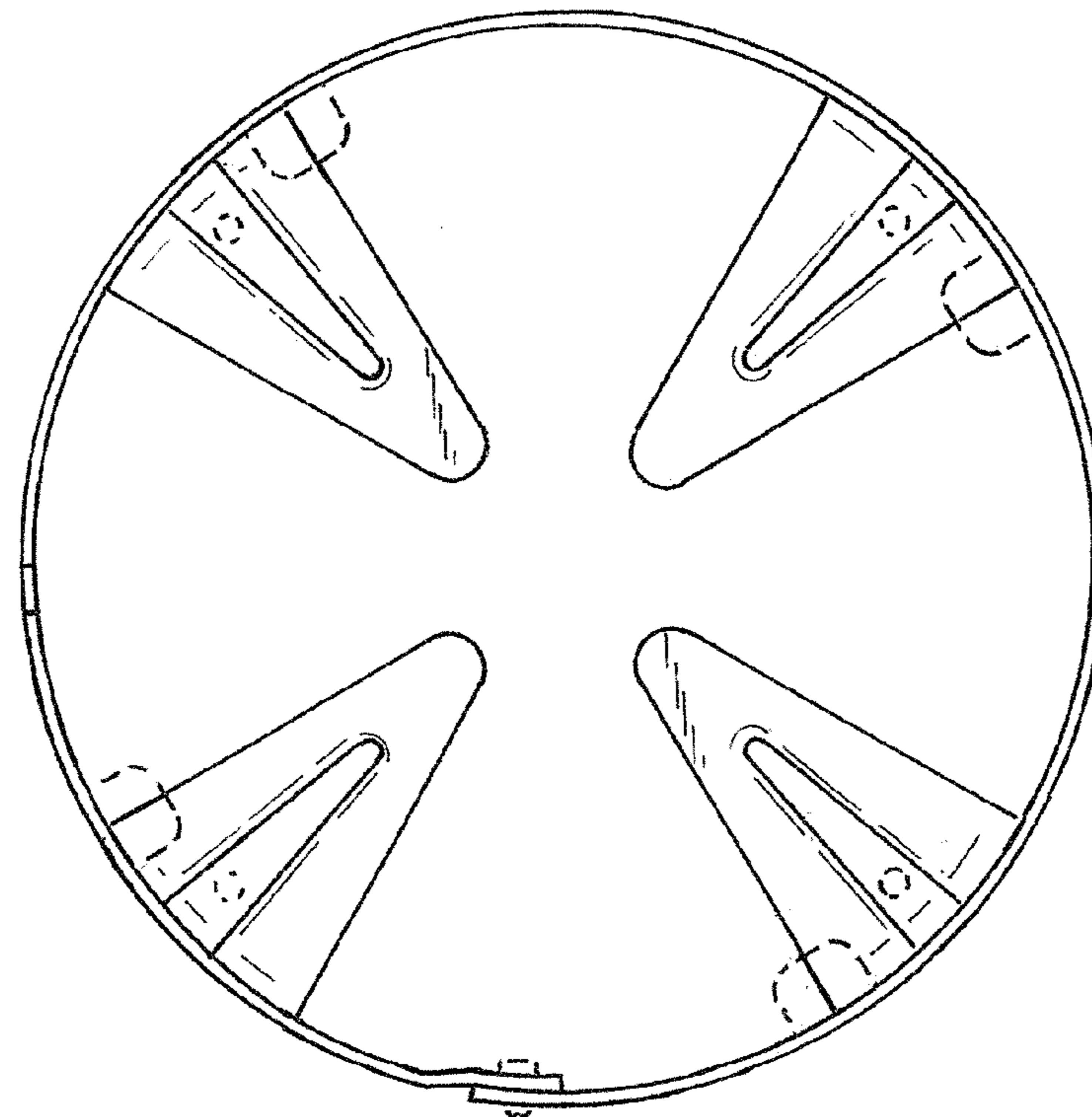
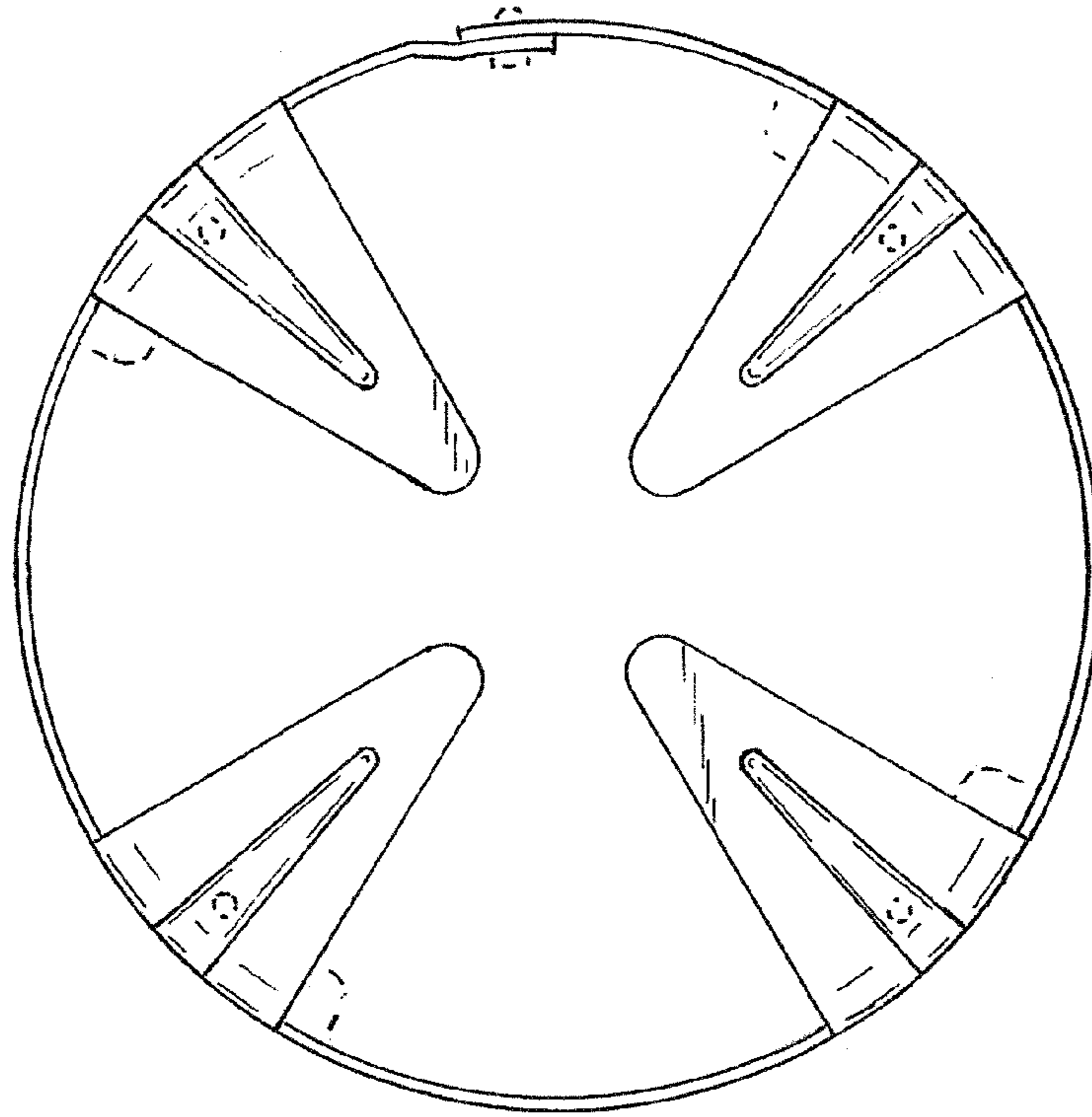


FIG. 6

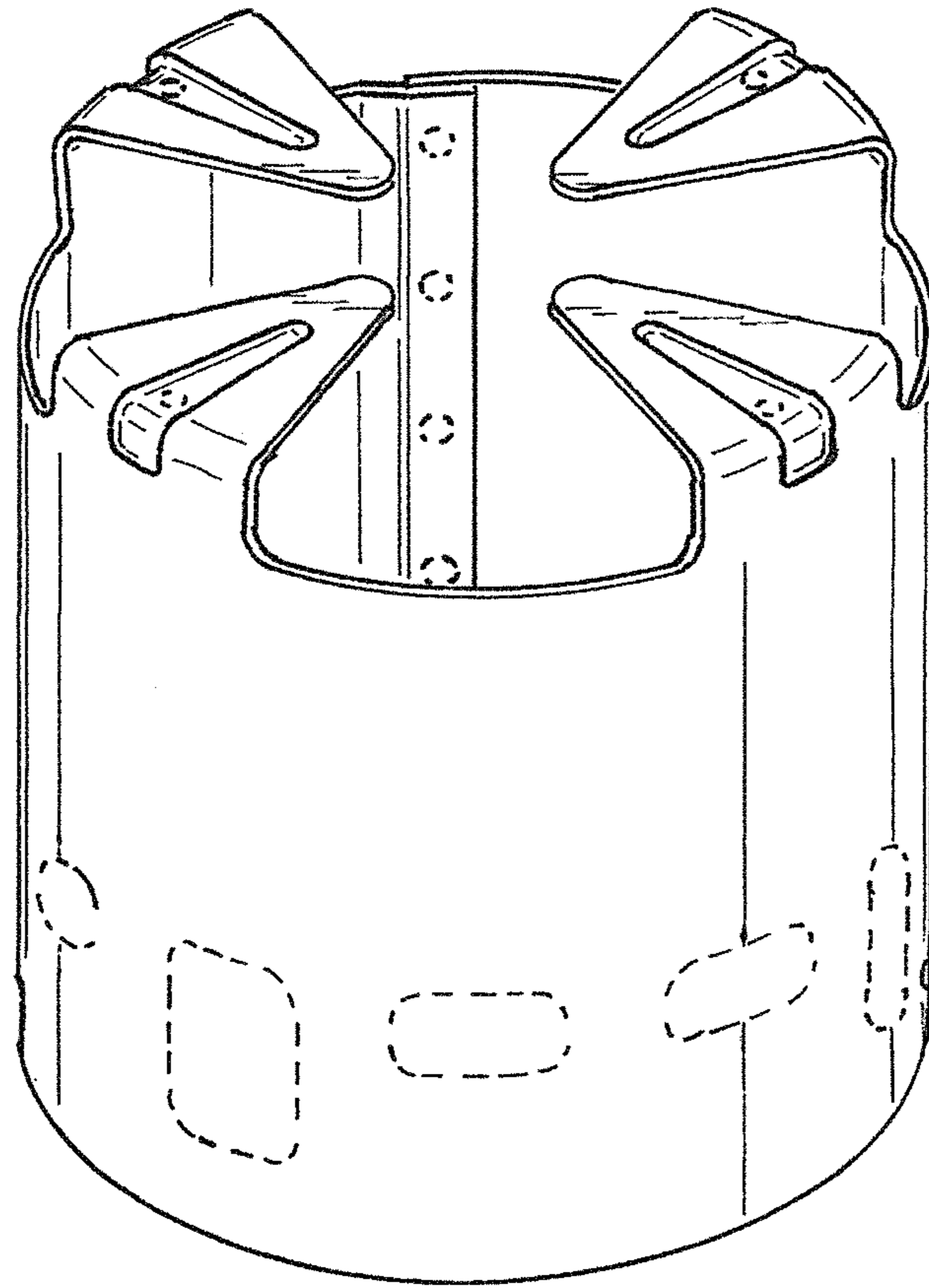


FIG. 7